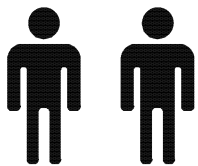
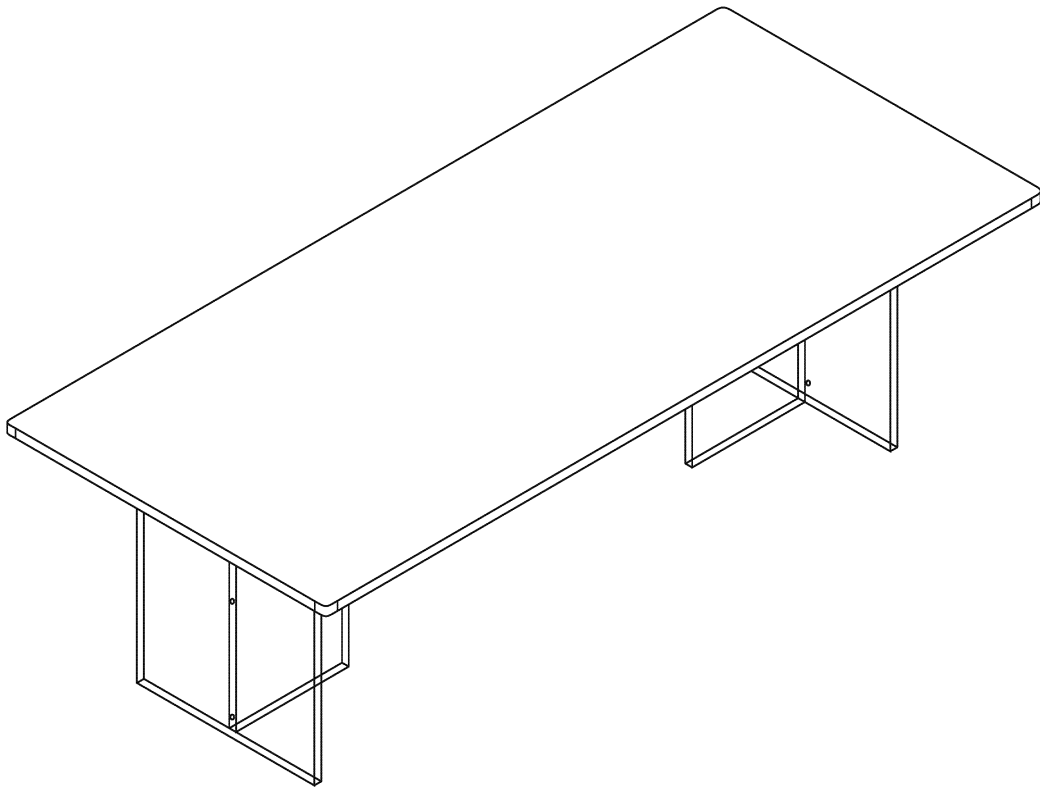


Acrylic

Dining Table

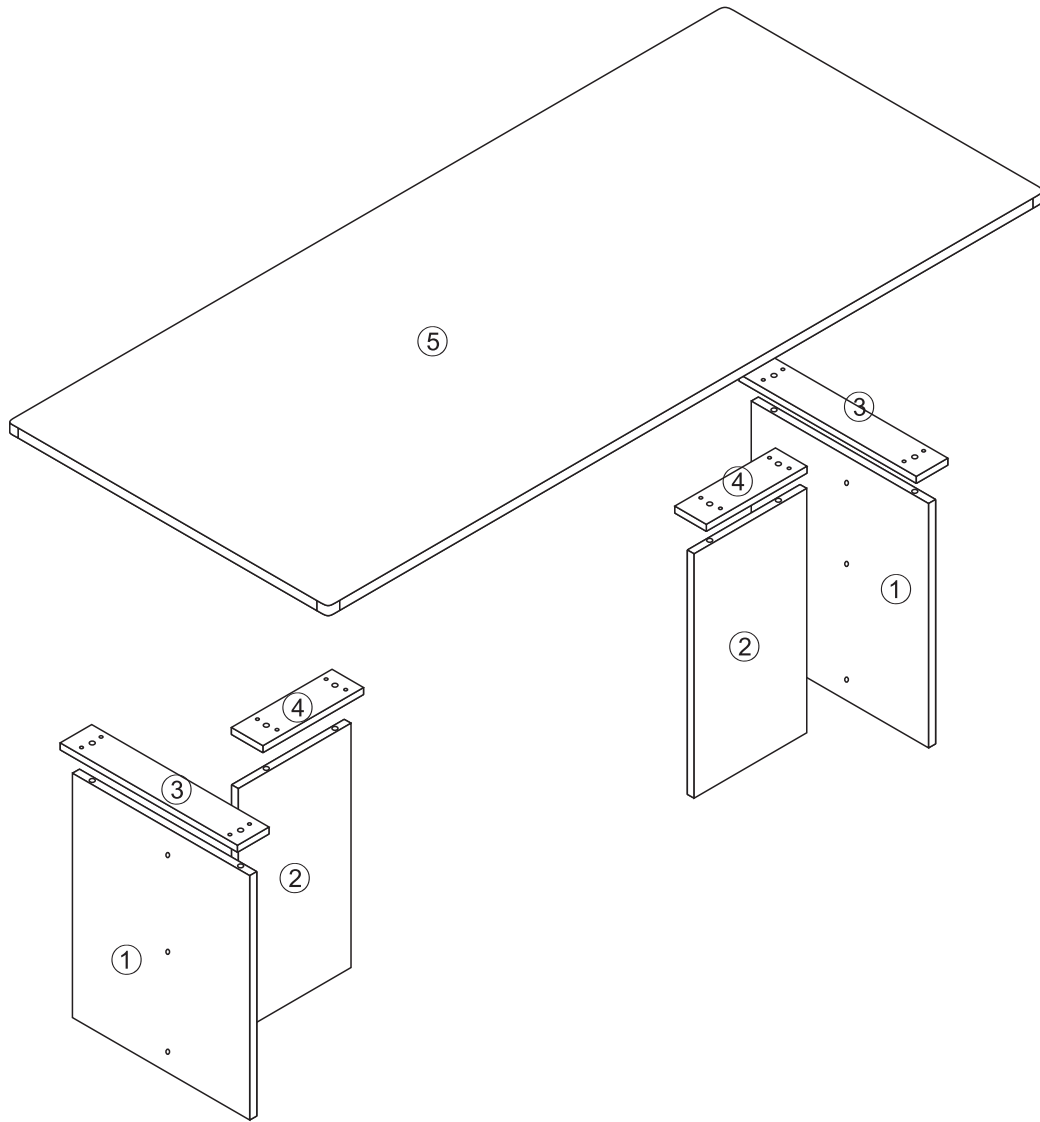


2 Persons






W1600*H800MM
W1800*H900MM
W2000*H900MM

Installation Instructions

Notes: Don't tighten screws completely at first, just in case parts were assembled wrongly and need disassemble. Tighten screws at last when all parts are put together.

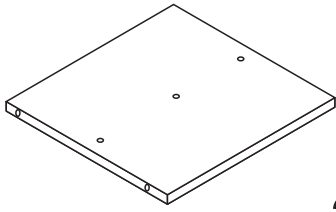


Parts and accessories

A	6PCS	B	24PCS	C	6PCS	D	6PCS	E	1PC
									
6*35mm		6*20mm		17*4mm		20*5mm		Phillips screwdriver	

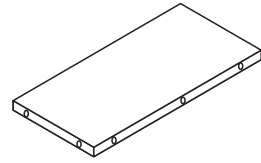
Disassembly and installation of accessories

1



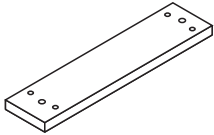
2PCS

2



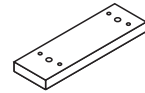
2PCS

3



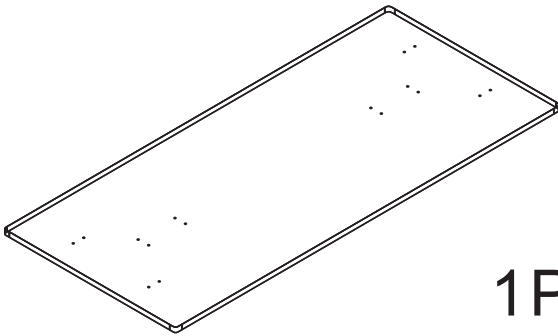
2PCS

4



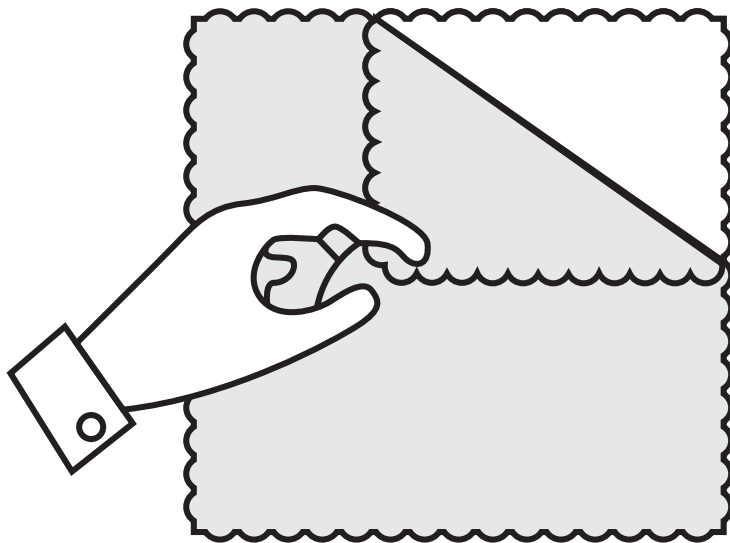
2PCS

5



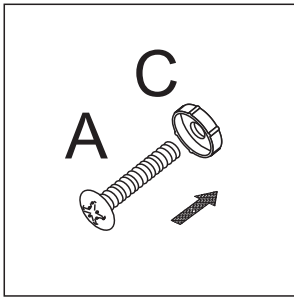
1PC

Precautions

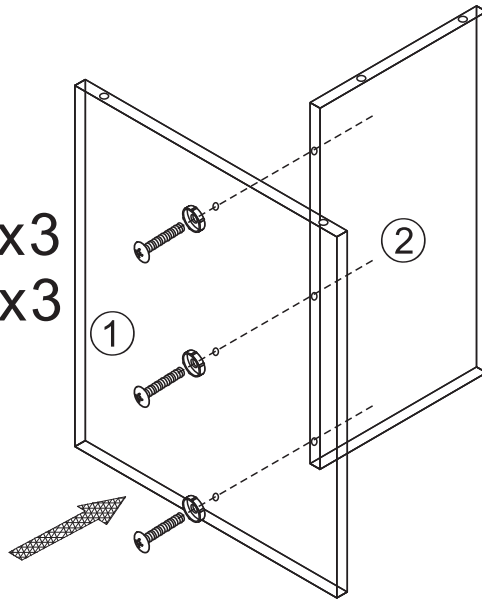



▲ Before installation, please tear off the film for all the boards. Be careful not to scratch the film after the film is installed.


1



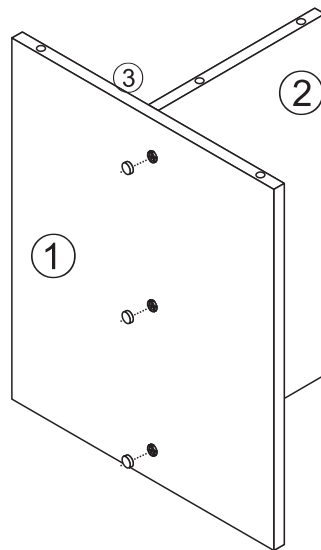
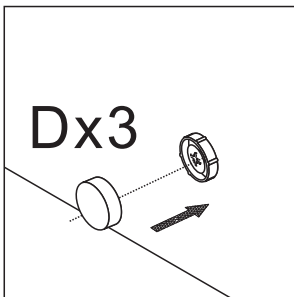
Ax3
Cx3




A	3PCS
	
6*35mm	

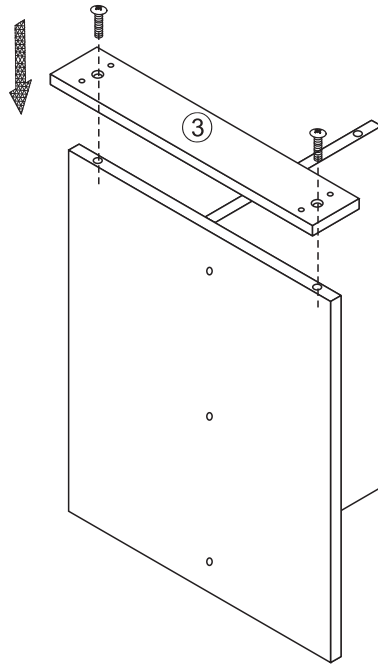
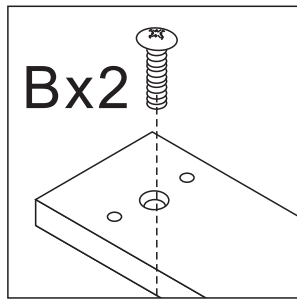
C	3PCS
	
17*4mm	


2



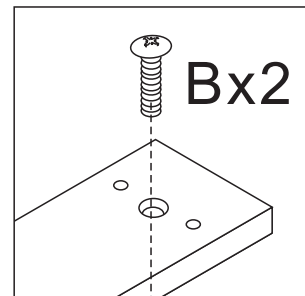
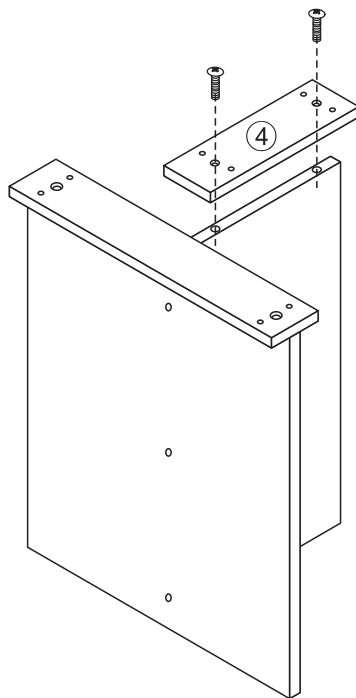
D	6PCS
	
20*5mm	


3



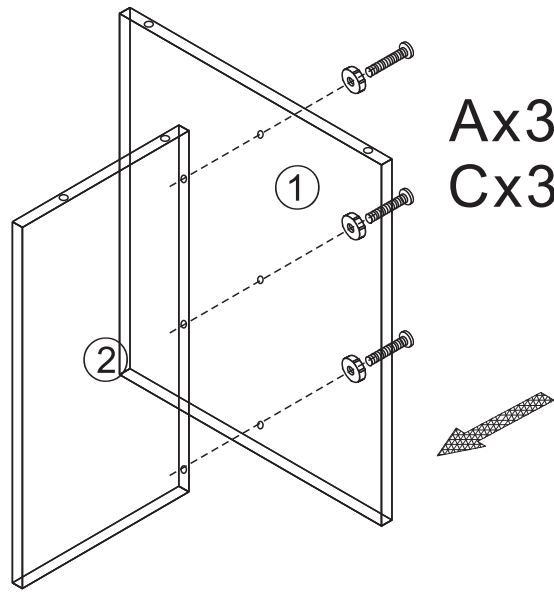
B	2PCS
	
6*20mm	

4

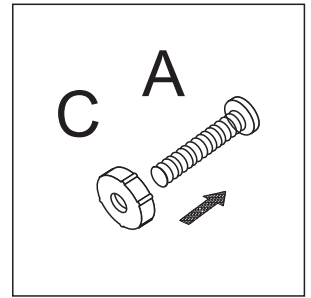




B	2PCS
	
6*20mm	

5

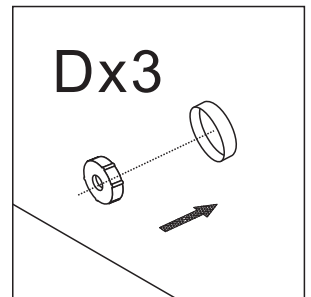
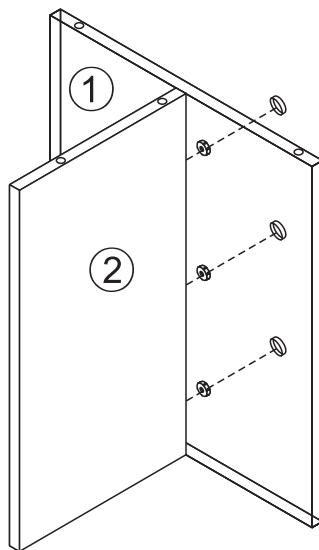


Ax3
Cx3




A	3PCS	C	3PCS
			
6*35mm		17*4mm	

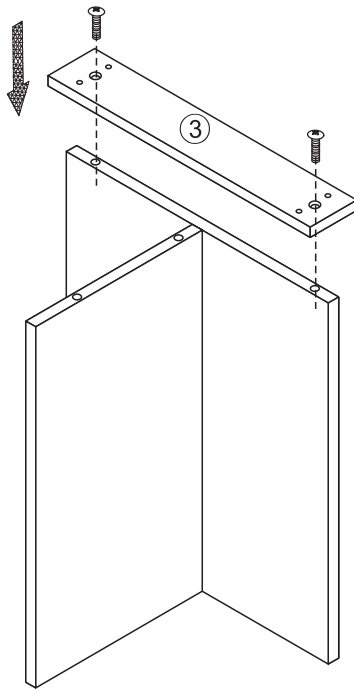
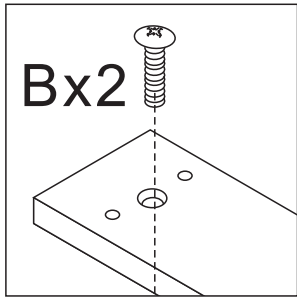
6




Dx3

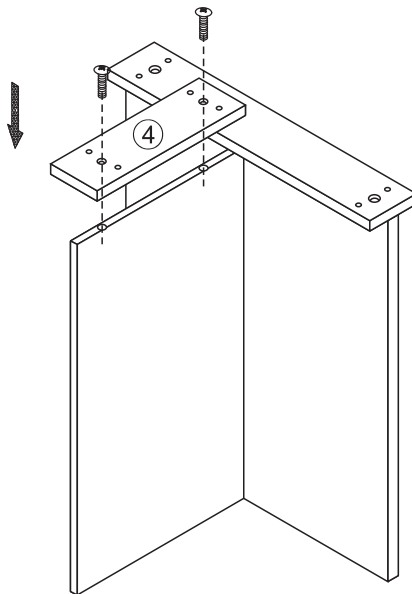
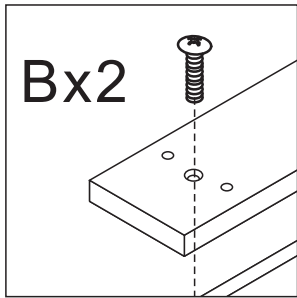
D	6PCS
	
20*5mm	


7



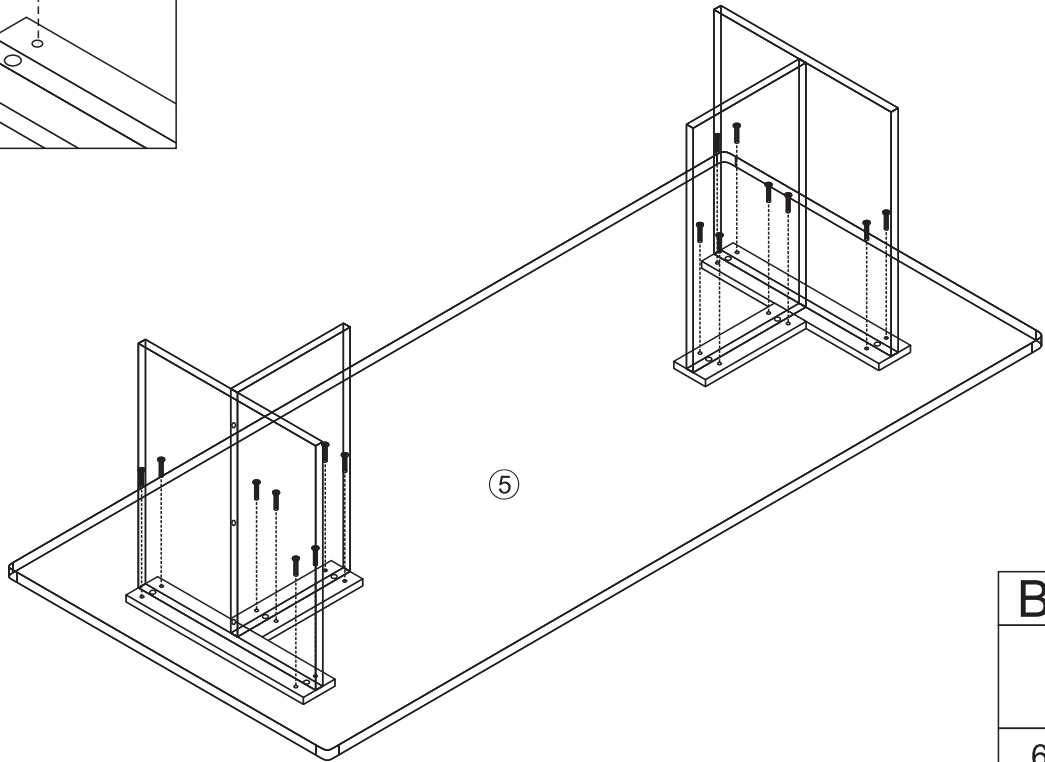
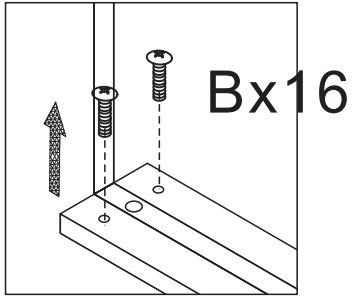
B	2PCS
	
6*20mm	

8

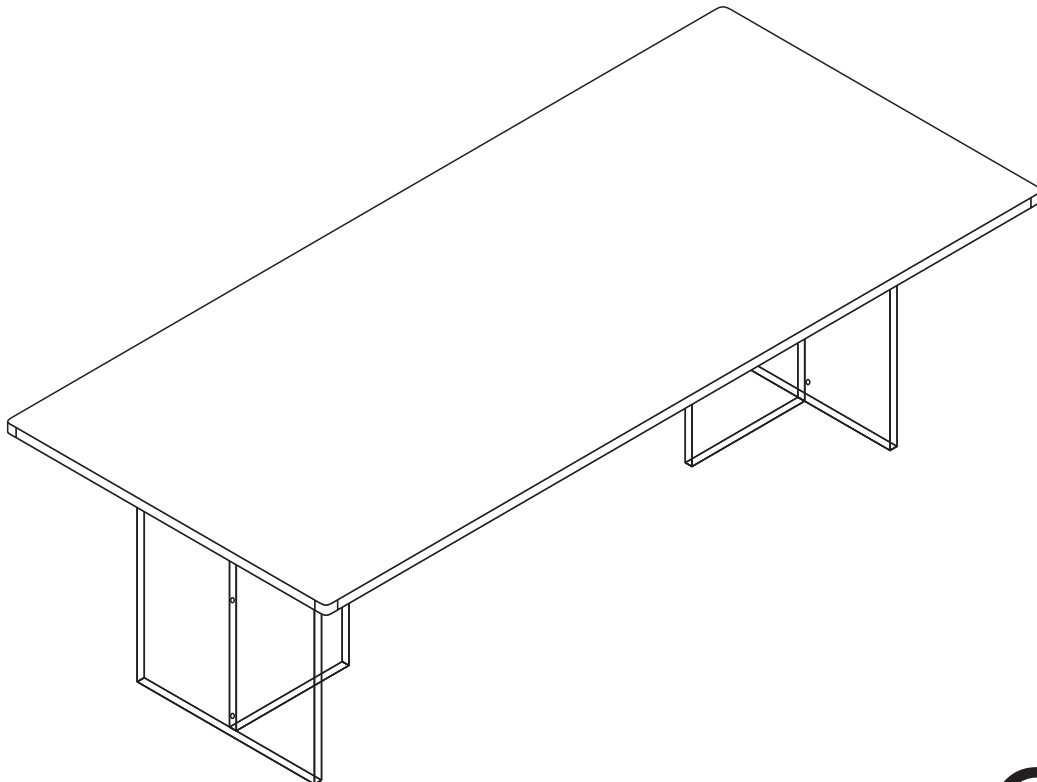


B	2PCS
	
6*20mm	

8



9



OK