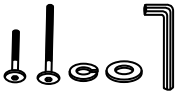
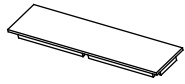










Assembly Instructions

Thank you for purchasing this quality product. Be sure to check all packaging material carefully for small parts that may have come loose inside the carton during shipment.

COMPONENT LIST:

FIGURE	DESCRIPTION	QTY
	Hardware Bag	1 pce
	Bench Seat	1 pce
	Bench Left Leg	2 pcs
	Bench Right Leg	2 pcs
	Bench center Leg	2 pcs

HARDWARE LIST:

PART NO	FIGURE	DESCRIPTION	QTY
1		JCBC Bolt (Short)	4pcs
2		JCBC Bolt (Long)	8pcs
3		Lock Washer	12pcs
4		Flat Washer	12pcs
5		Allen Key	1 pce

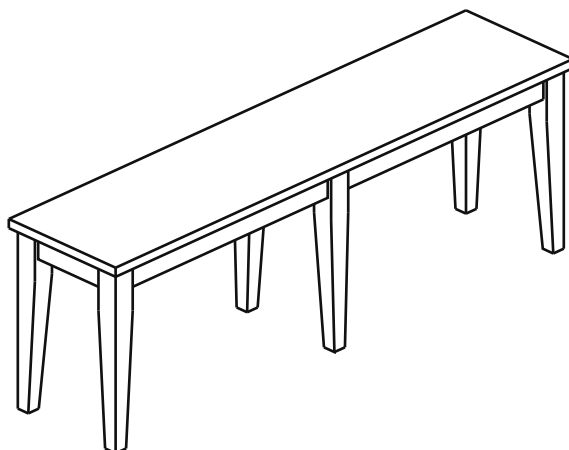
This product will take 15-20 minutes to assemble.

Reminders

1. Use only the hardware supplied.
2. Once the product is assembled, level and tighten all the bolts.
3. Do not over-tighten bolts.
4. This item may require periodic tightening

NOTE:

1. Two or more people are needed for assembly
2. Please keep all hardware parts out of the reach of children.

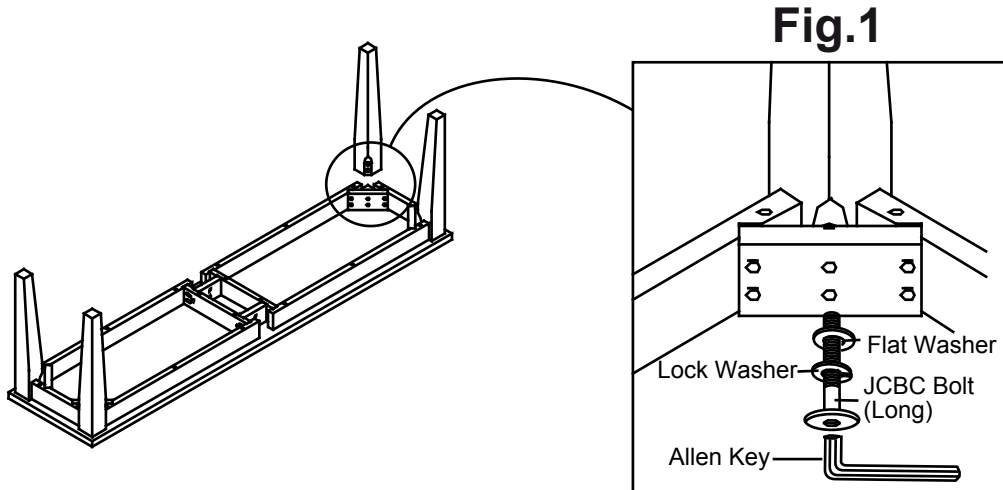


Assembly Instructions

ASSEMBLY :

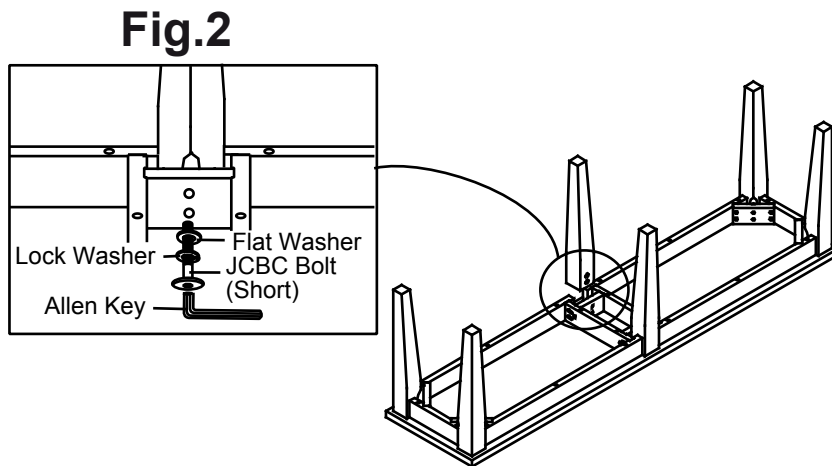
STEP 1

- 1.1- Turn the Bench Seat upside down on a soft protective surface such as carpet.
- 1.2- Attach 4 Bench legs to the Bench seat using the provided hardware as shown in Fig.1.



STEP 2

- 2.1- Attach 2 Center legs to the middle of Bench seat using the provided hardware as shown in Fig.2.



STEP 3

- 3.1- Turn bench to upright position.
- 3.2- Once bench is fully balance fully tighten all bolts.

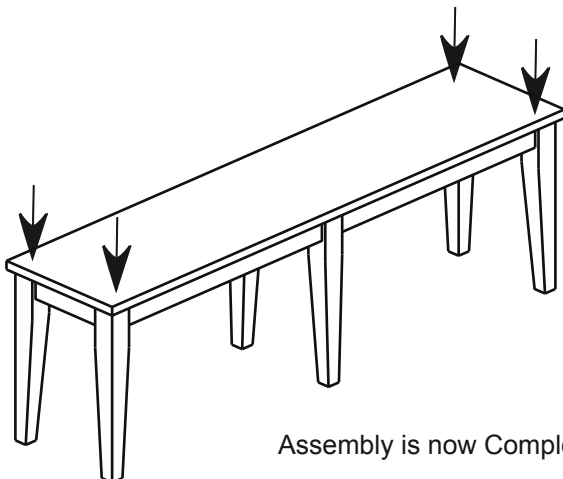


Fig.3

Assembly is now Completed.

CARE INSTRUCTION

- ~ Be sure to use the same type of polish consistently. Your furniture will appear cloudy or streaky if oil based or wax based polishes are interchanged.
- ~ Spray your furniture surface evenly. Wipe in a circular motion with a soft clean cloth.