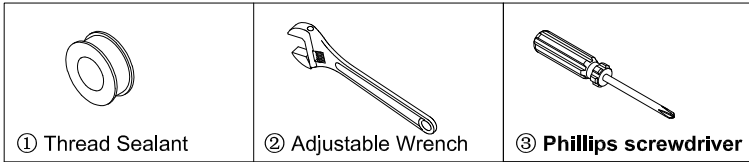


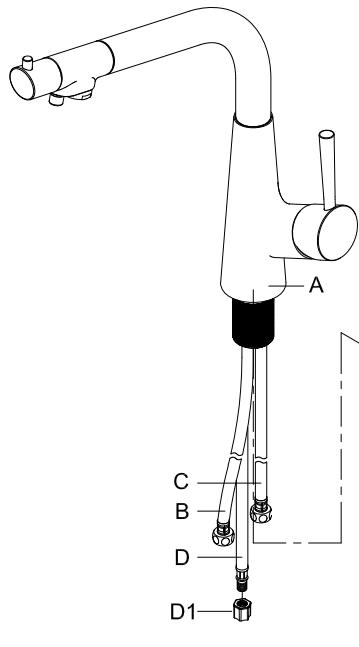
LOLAT KRP2268LF

Installation Instructions

Tools and Materials



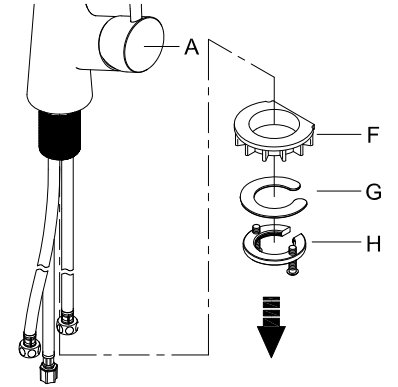
Names of Component



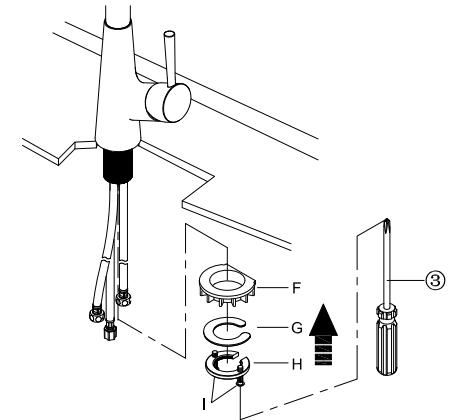
NO	Name
A	Kitchen Faucet
B	Red stainless Steel Hose (hot)
C	Blue Stainless Steel Hose (cold)
D	Stainless Steel Hose (drinking water)
D1	Plastic Nut
E	O-ring
F	Plastic Washer
G	Stainless Steel Washer
H	Fixing nut
I	Screw

Installation Instruction

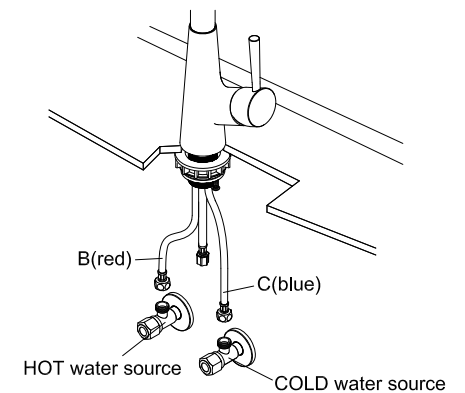
(1)
Disassemble F, G, and H of faucet body A.



(2)
Place the faucet body A into the mounting hole on the countertop, and then install F, G, and H back in sequence. And use tool 3 to lock I. (If the countertop is too thick to allow H to be installed, please remove F.)



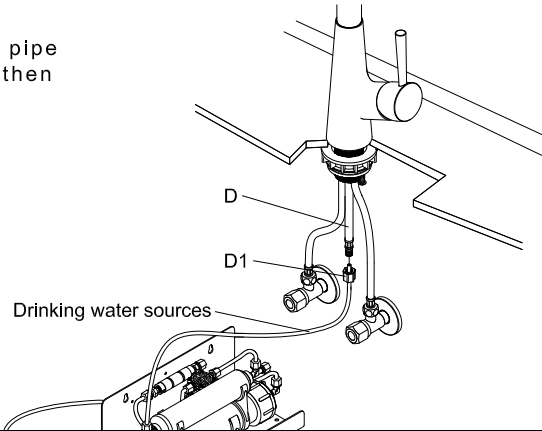
(3)
Place the faucet body A into the mounting hole on the countertop, and then install F, G, and H back in sequence. And use tool 3 to lock I.



Installation Instruction

(4)

Pass the drinking water source pipe through D1 and install it on D, then lock D1 on D.

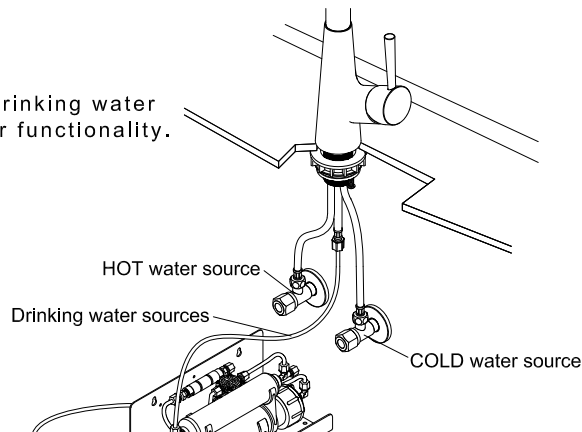


(5)

Installation completed.

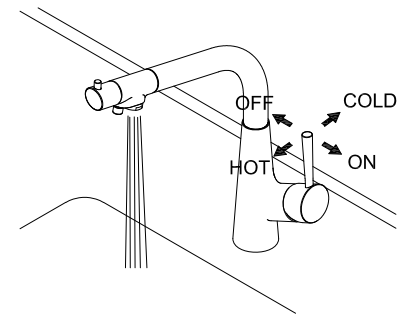
(as shown on the right)

Turn on the hot, cold and drinking water supplies and test for proper functionality.

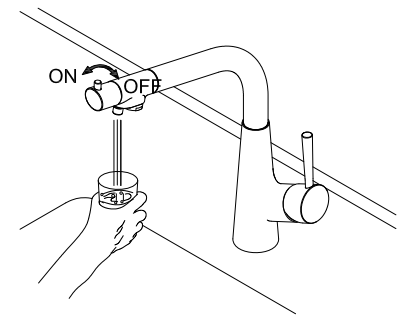


Instructions for use

● Tap Water



● Drinking Water



Daily and regular maintenance

(1)

For daily cleaning, please use a neutral detergent with a soft-bristled brush and rinse with water. (Do not use acidic or alkaline cleaners)

(2)

Please remove and clean the bubbler of the water outlet regularly to avoid clogging of the filter and reducing the water output.

