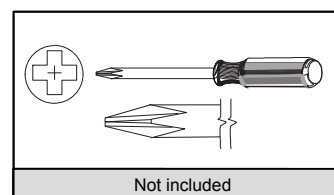
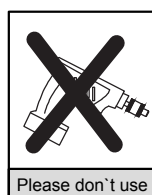
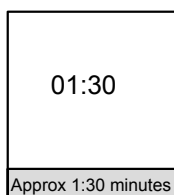
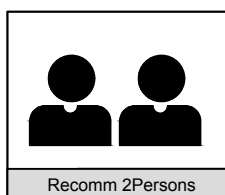
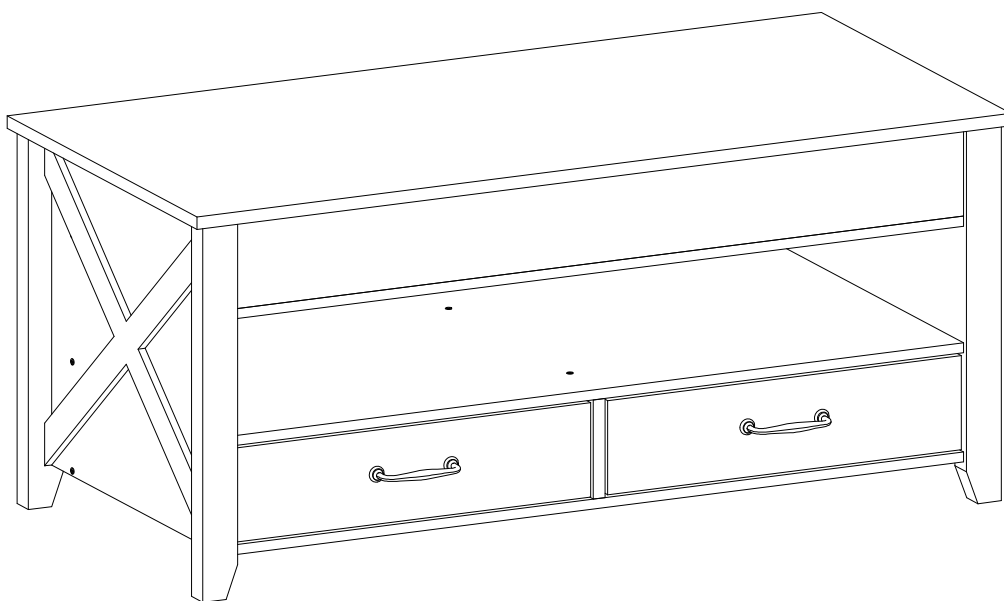


Assembly Instruction

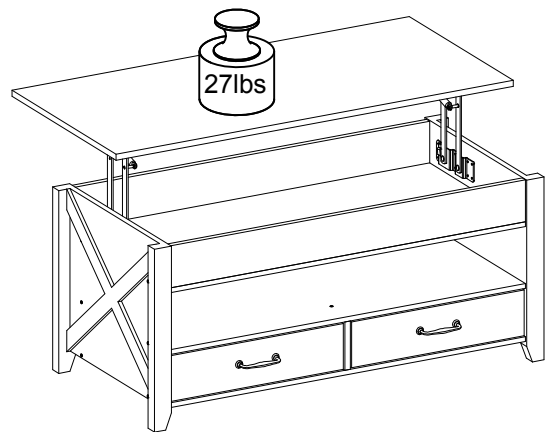
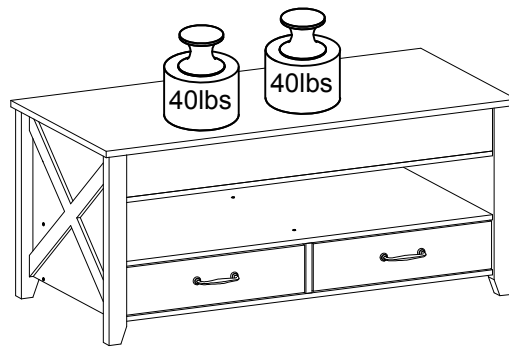
Lift top coffee table



Recommended Maximum Weight



WARNING



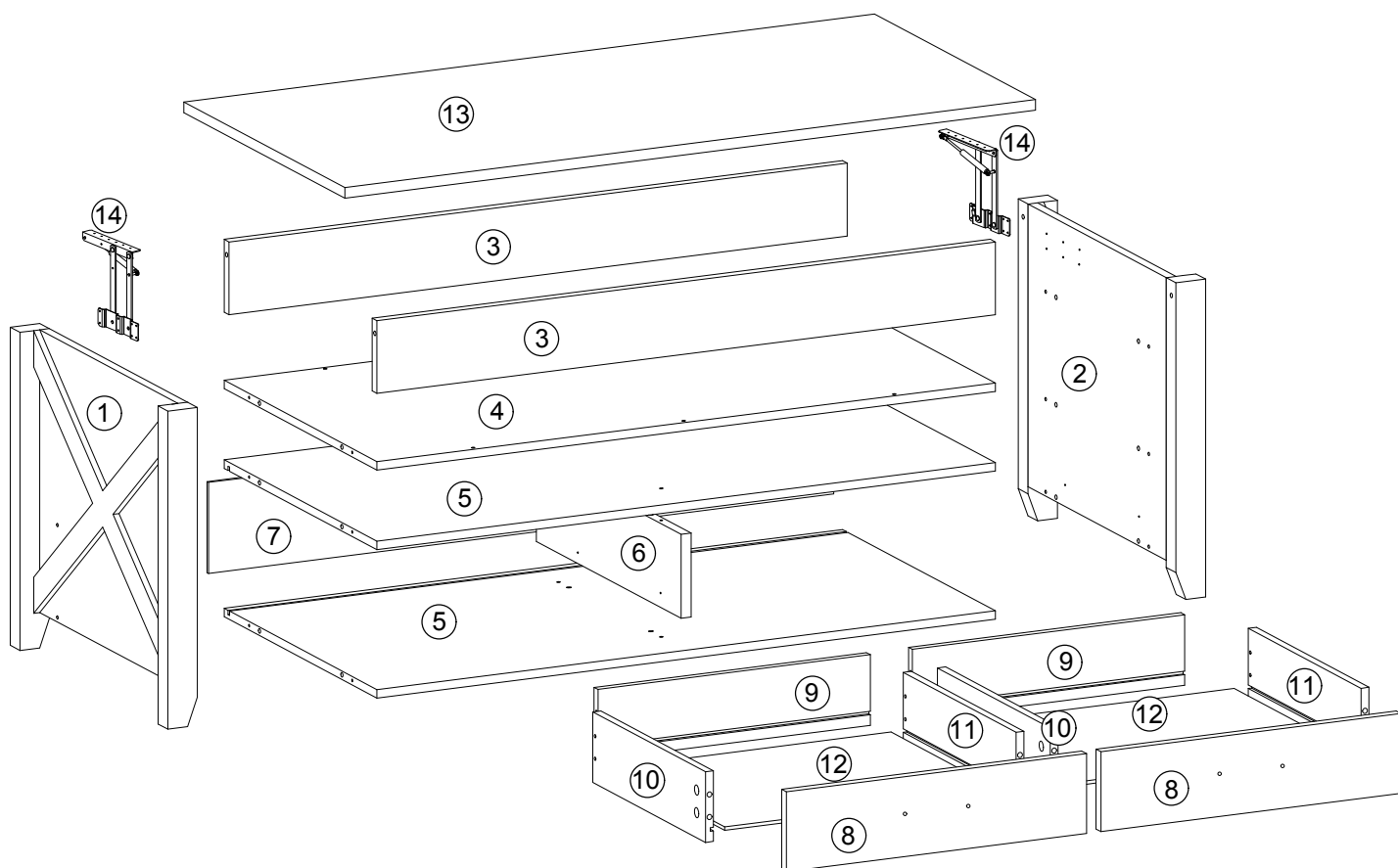
Read all instructions before using this product.

1. This unit has been designed to support the maximum loads shown. Exceeding these load limits could cause sagging, instability, product collapse, and/or serious injury.
2. Avoid sharp objects and corrosive chemicals to prevent damage to the product or bodily injury.
3. Not intended for use in humid environment to prevent mildew, such as bathrooms, laundry areas and similar indoor locations. Do not use outdoors.
4. Don't allow anybody stand or climb on the unit. Serious or fatal crushing injuries can occur from furniture tip over.

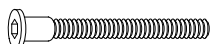
Useful Hints before you start:

1. Place soft packaging material on the floor to protect surface of product during assembly work.
2. It is important that each step is performed in correct order to avoid difficulties.
3. Align all screws with corresponding pre-drilled holes first and tighten.
4. Screws may become loose during long-term use, retighten them to ensure stability and security.
5. Using incompatible hardware might cause damage to product.

Parts Identification



Hardware Identification



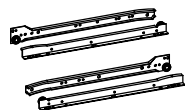
Allen Bolt
Ø5*40mm

A*30+2



Ø6*35mm

B*20+1



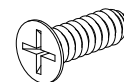
14" (350mm)

C*2



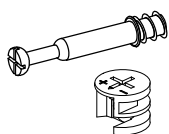
3.5*12mm

D*20+1

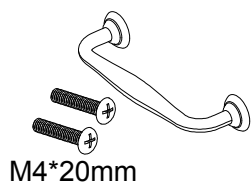


4.0*16mm

E*20+1



F*8+1



M4*20mm

G*2



H*4+2



Allen Wrench
M3

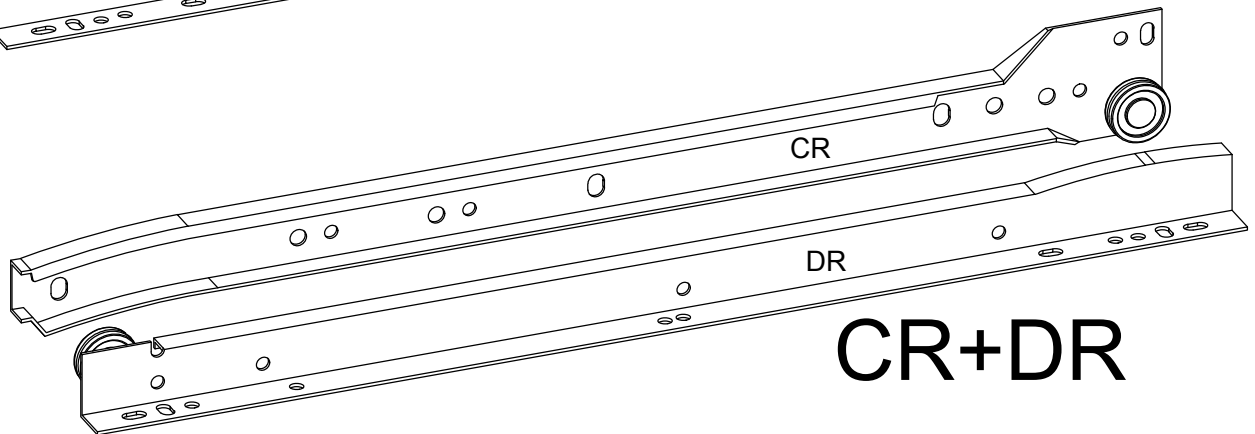
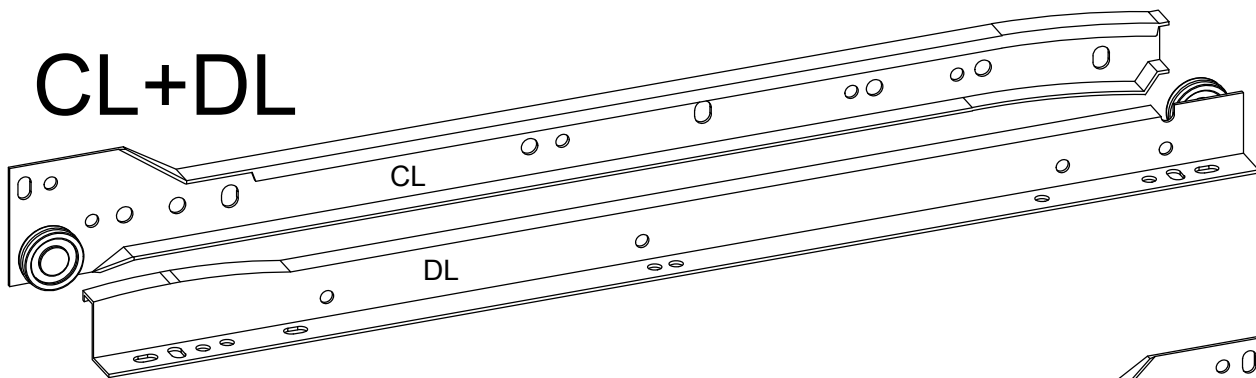


I*1

Extra hardware is enclosed for your convenience.

Don't confuse hardware left with right.

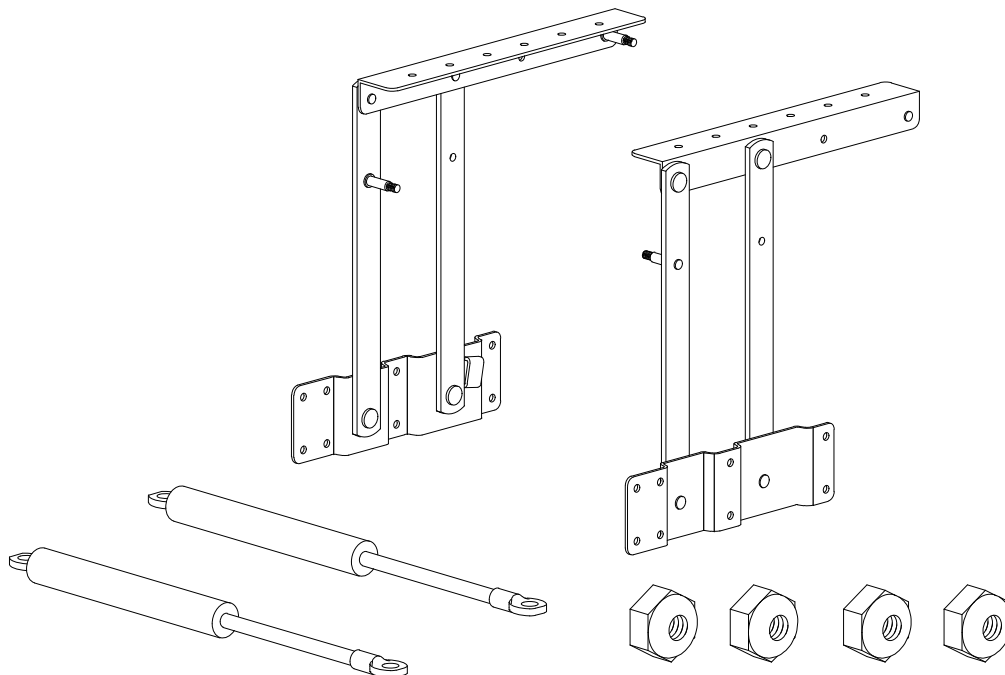
CL+DL



CR+DR

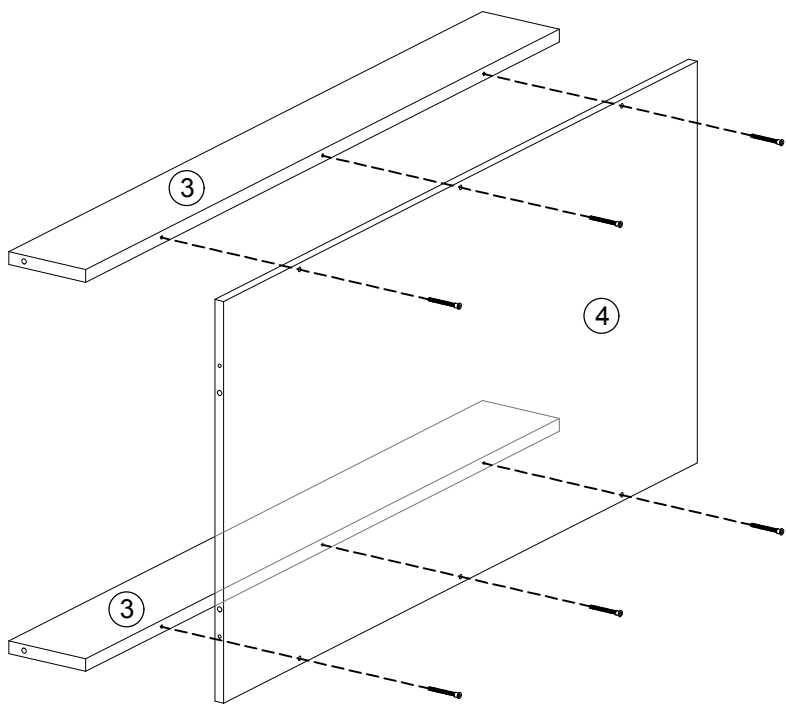
C*2

Hardware 14 Enlarged view



14

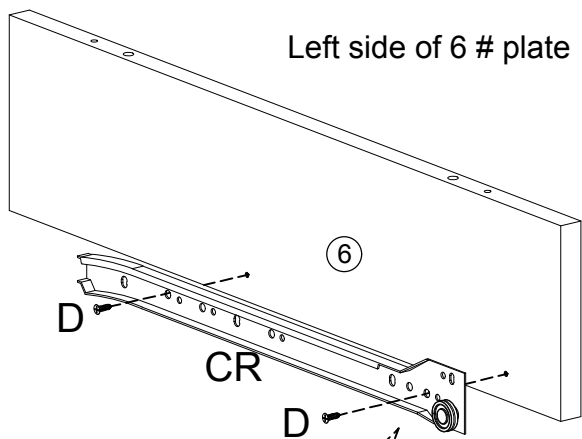
STEP 1



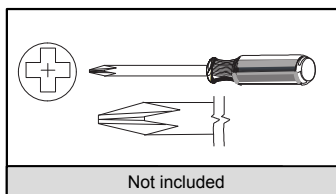
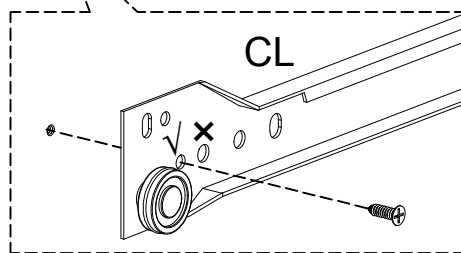
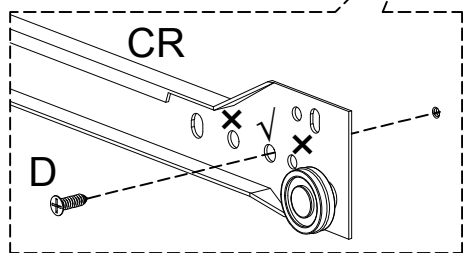
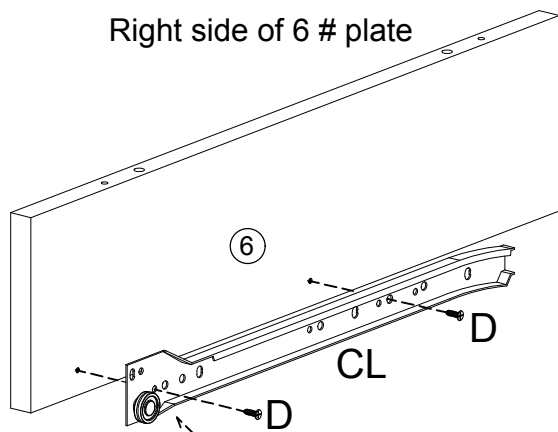
③ *2 ④ *1 A*6 #1

STEP 2

Left side of 6 # plate

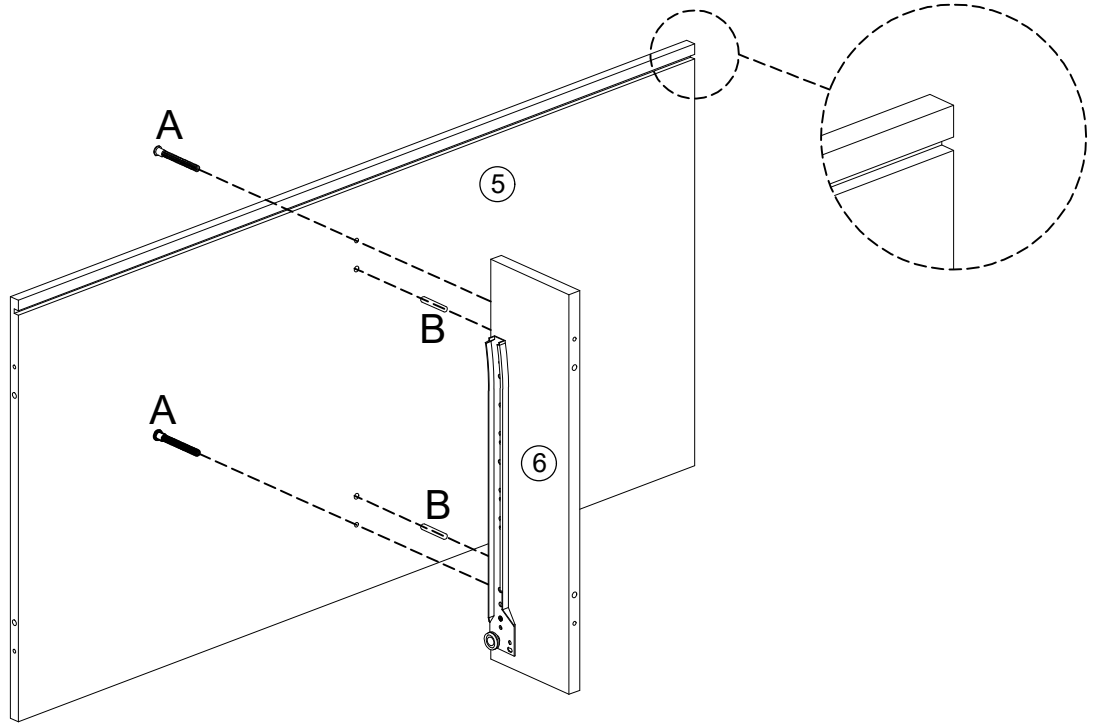



Right side of 6 # plate



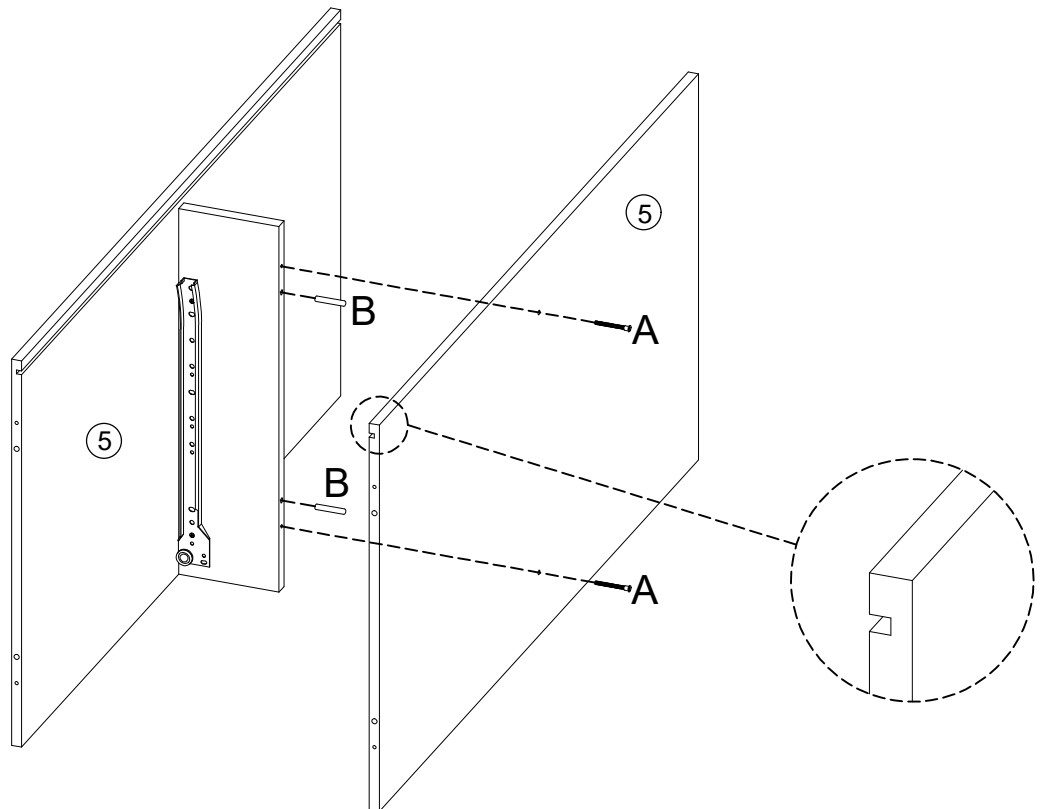
⑥ *1 CL*1 CR*1 D*4


STEP3



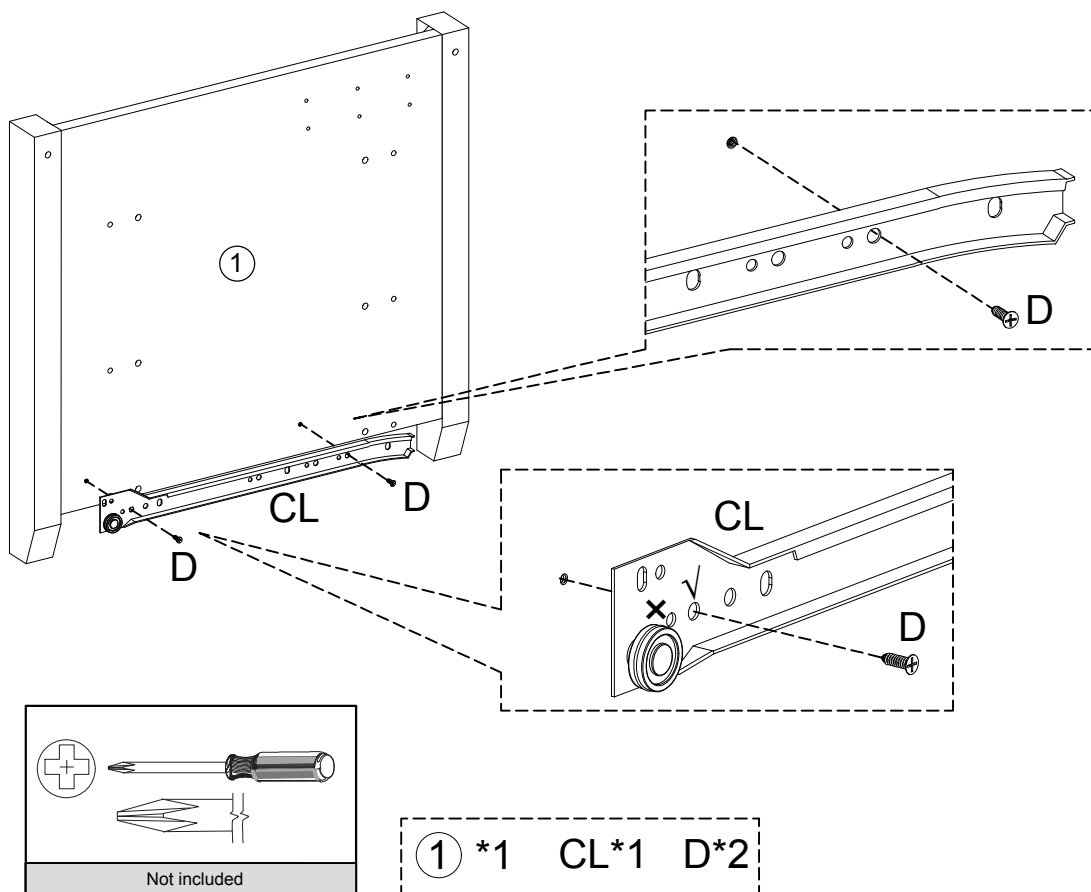
⑥ *1 ⑤ *1 A*2 B*2  #1

STEP4

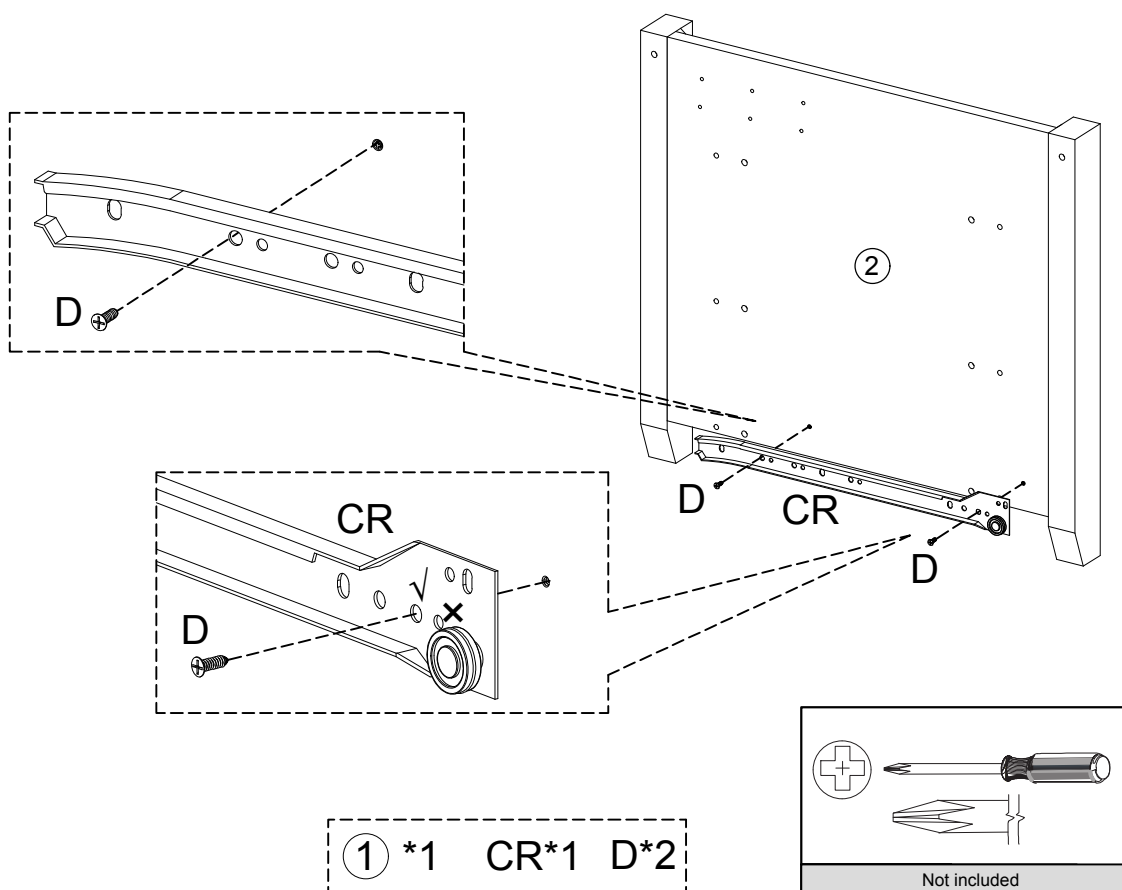


⑤ *1 A*2 B*2  #1

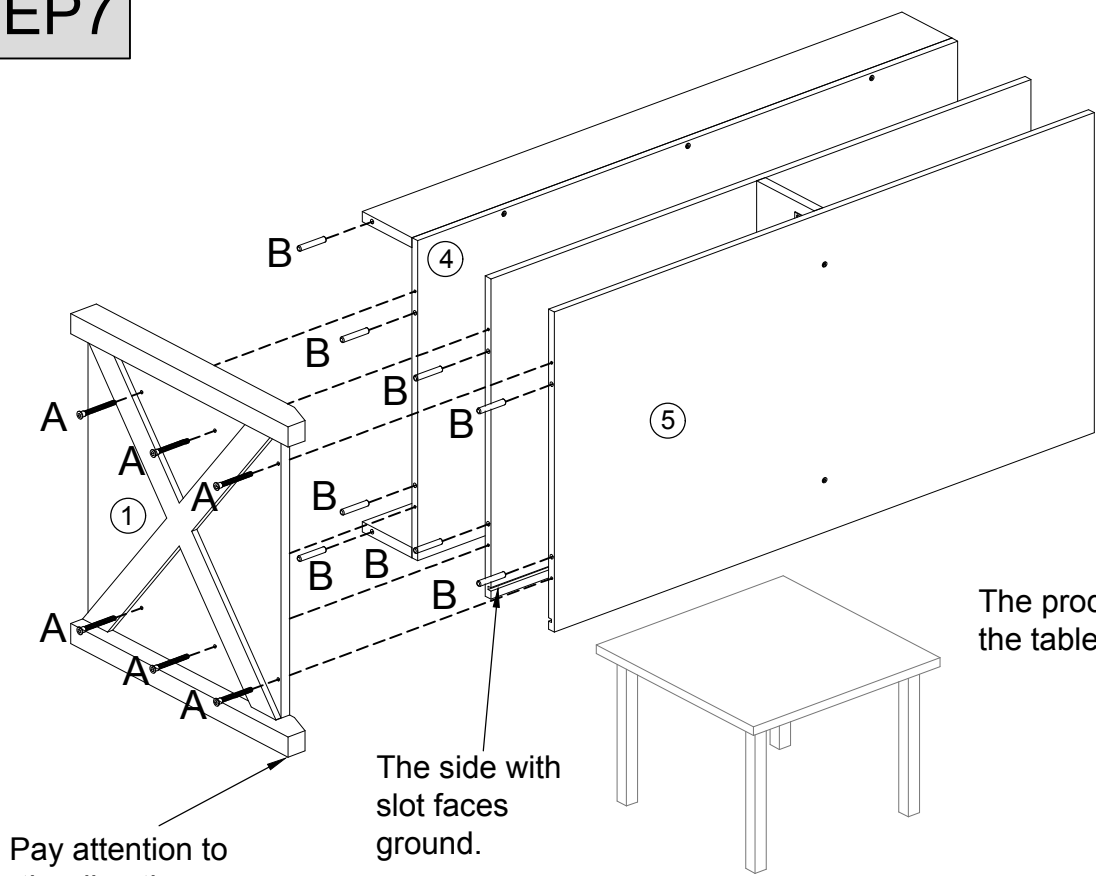
STEP 5



STEP 6



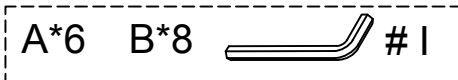
STEP 7



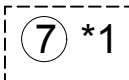
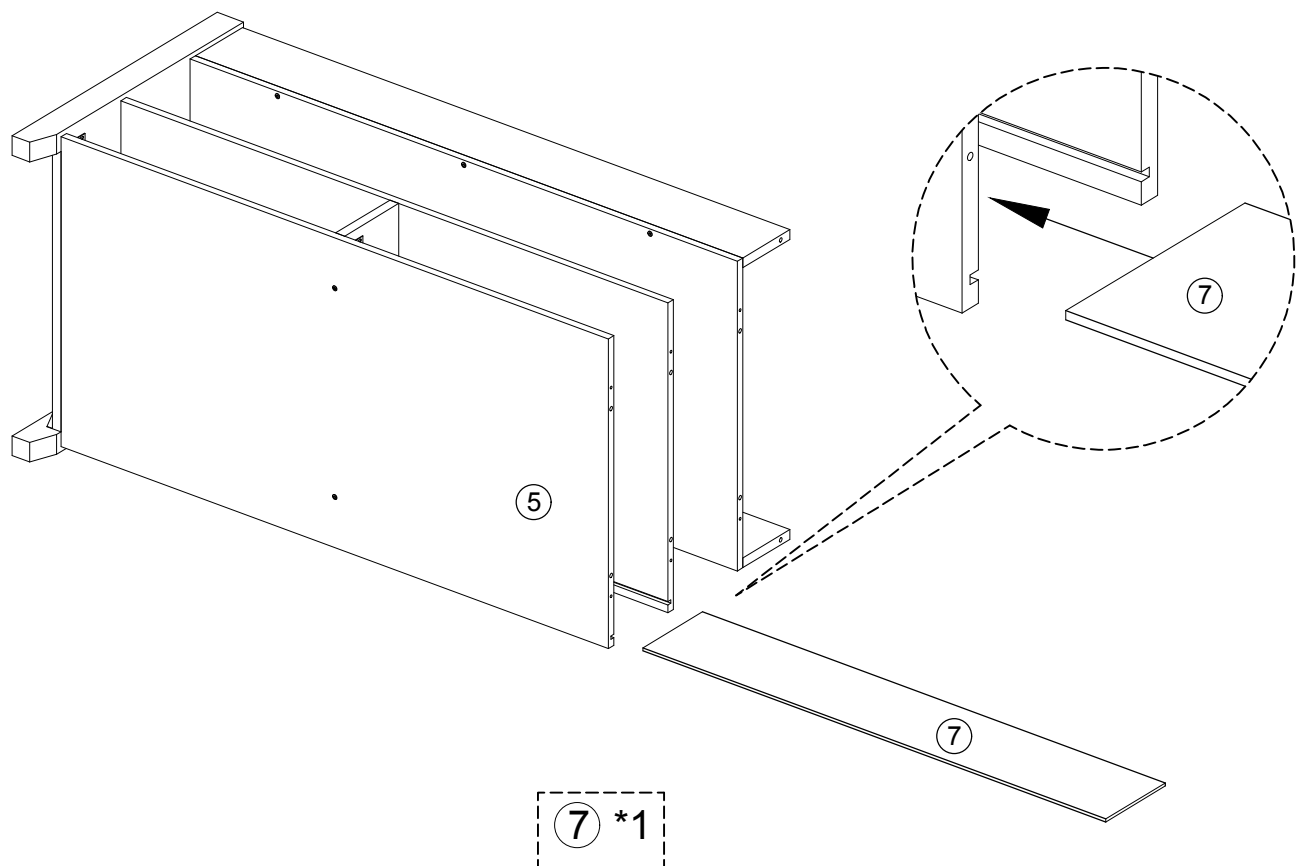
Pay attention to the direction of the leg.

The side with slot faces ground.

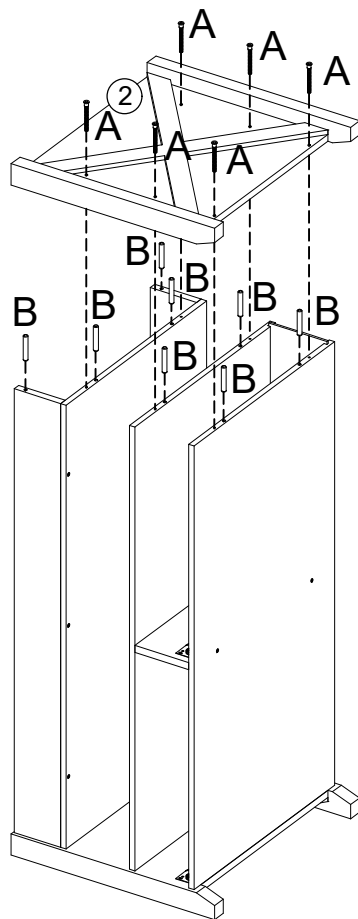
The product can be placed on the table for easy installation.




STEP 8

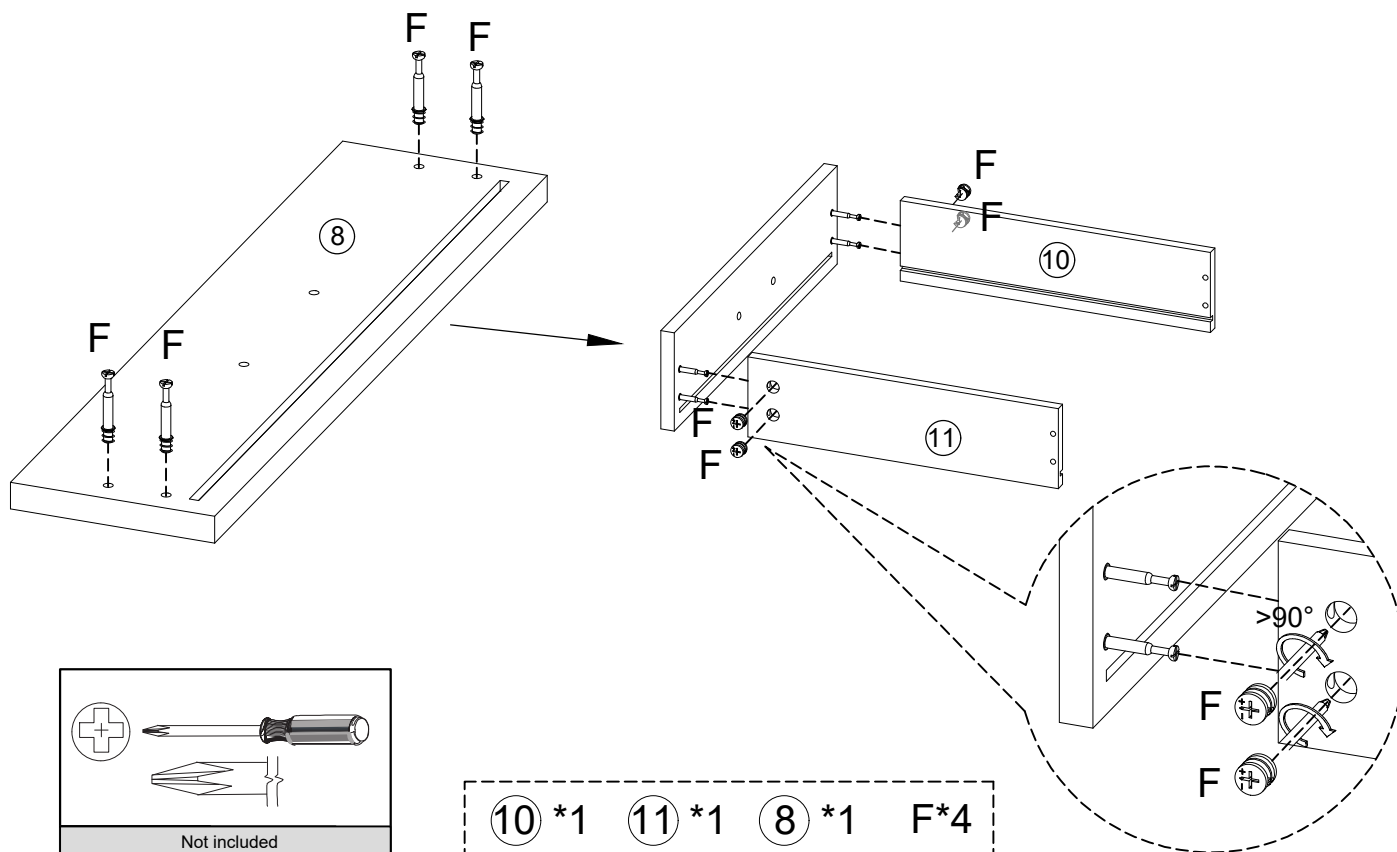


STEP 9



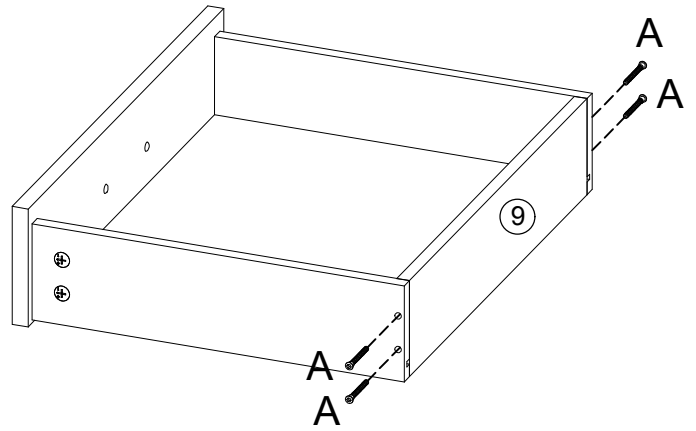
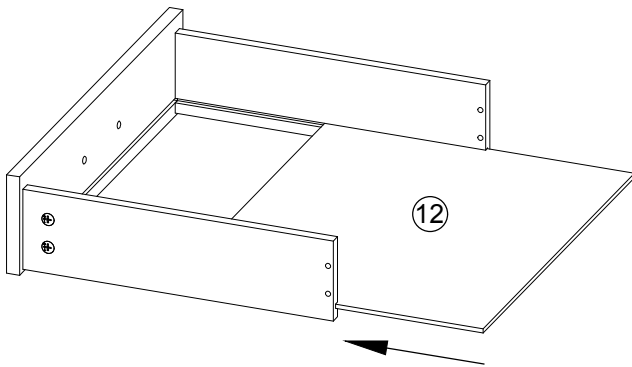
A*6 B*8  #1

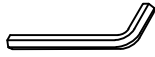
STEP 10



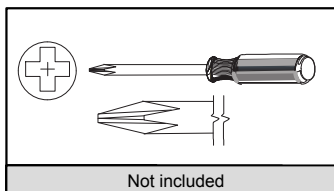
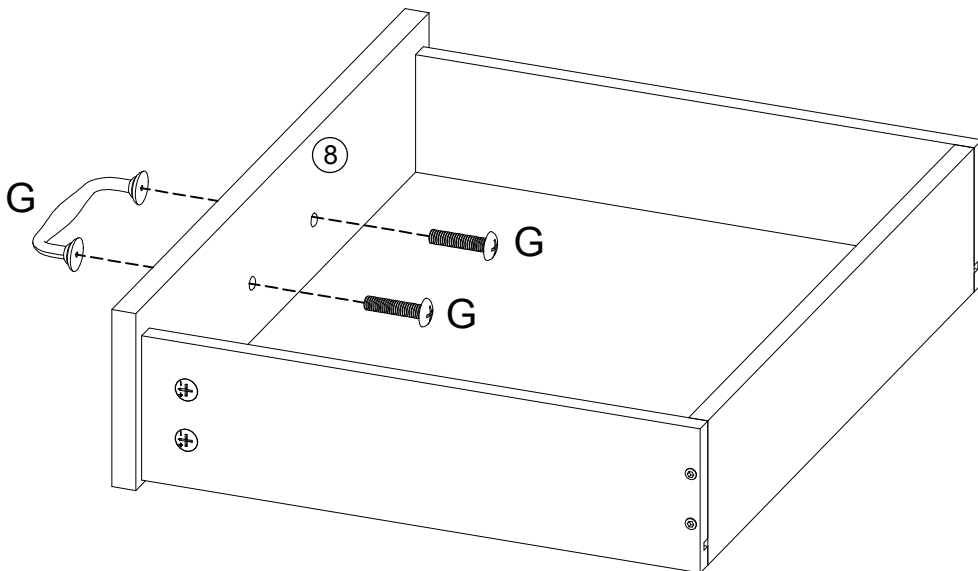
⑩ *1 ⑪ *1 ⑧ *1 F*4

STEP 11



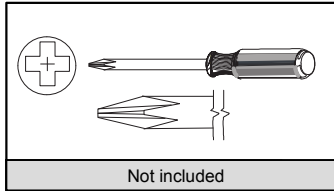
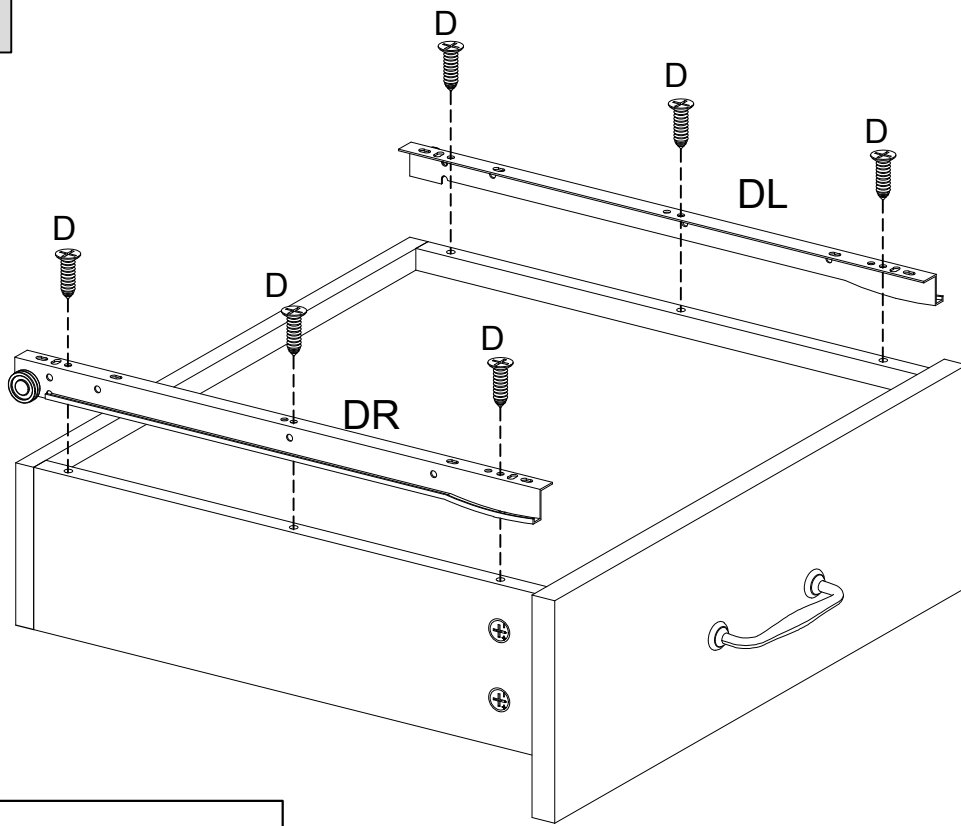
⑫ *1 ⑨ *1 A*4  #1

STEP 12



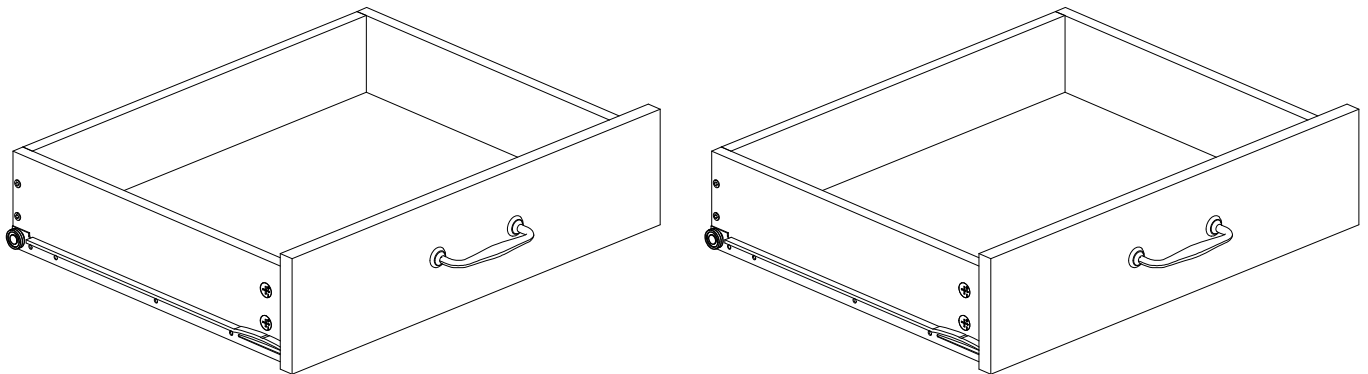
G*1

STEP13



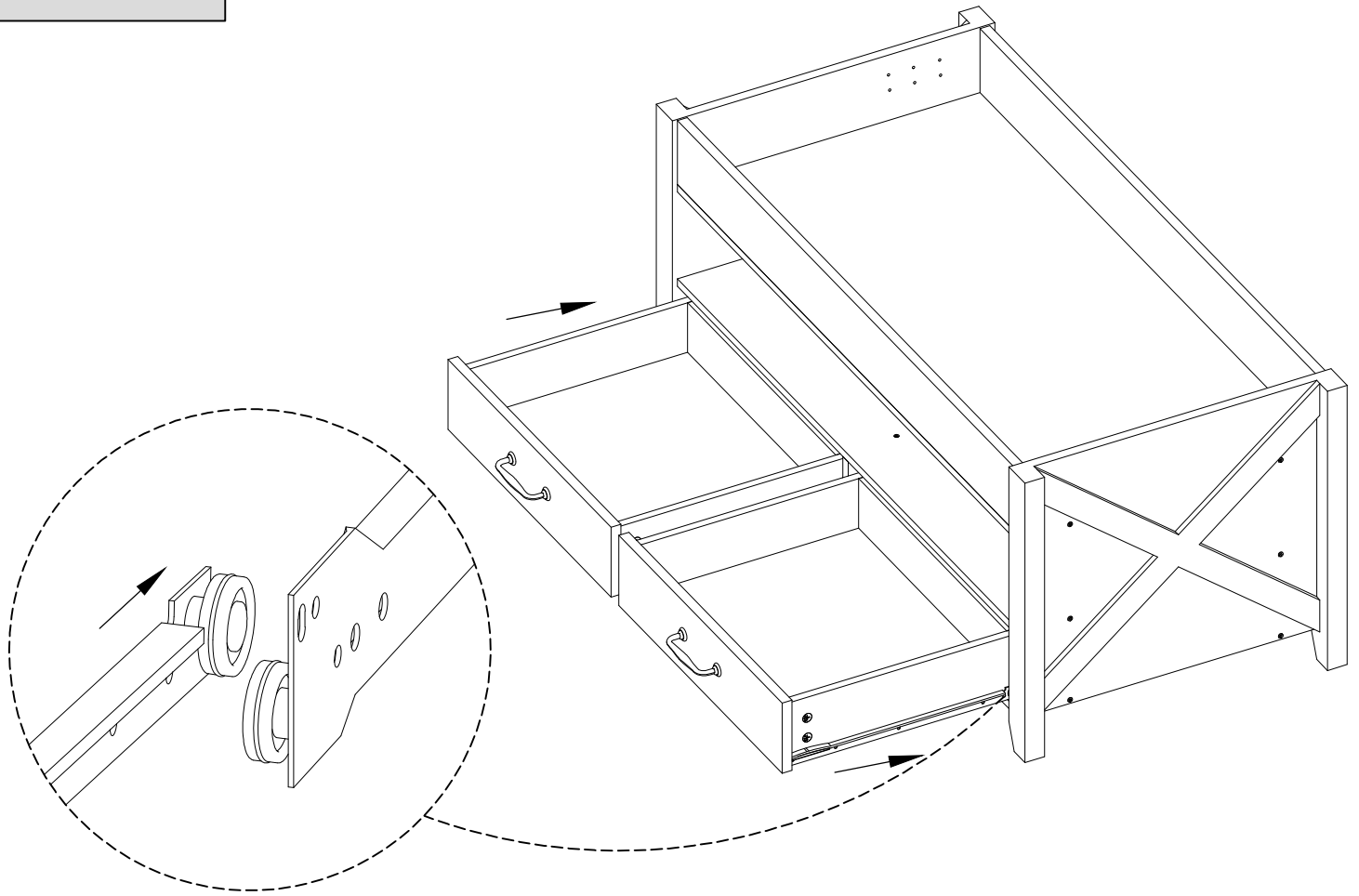
D*6 DL*1 DR*1

STEP14

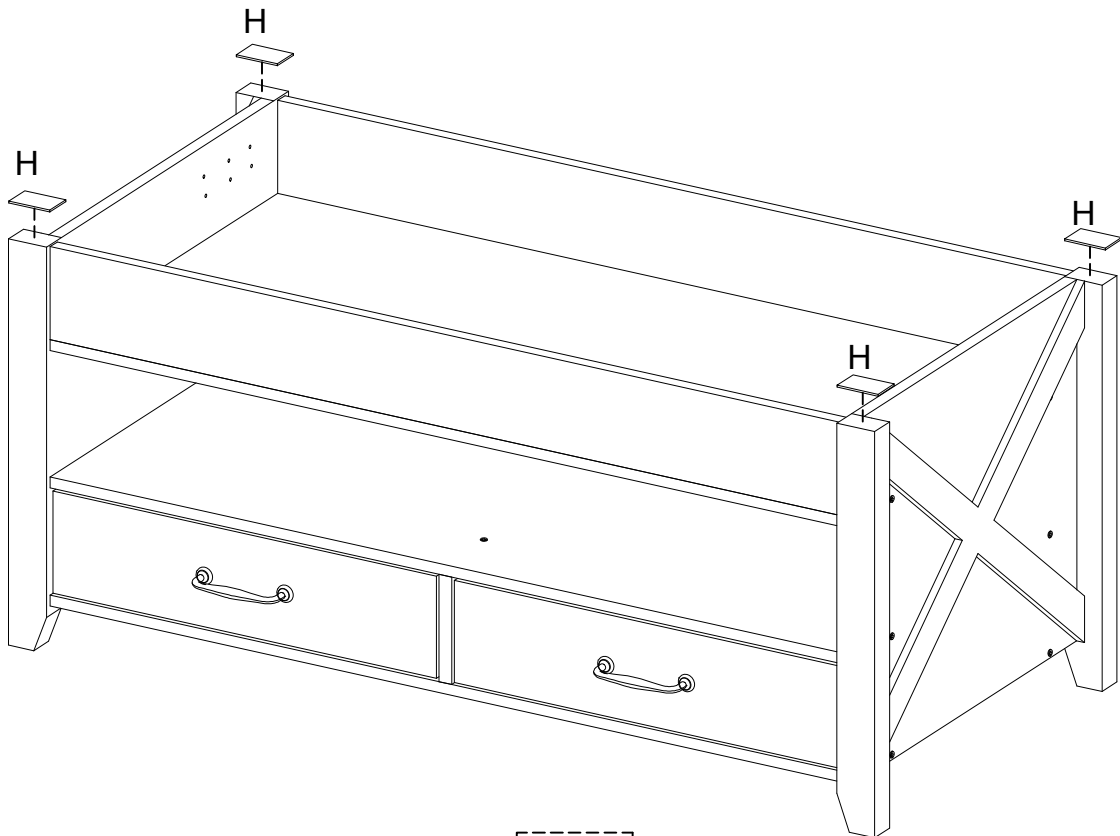


Repeat the above steps for the second

STEP 15



STEP 16

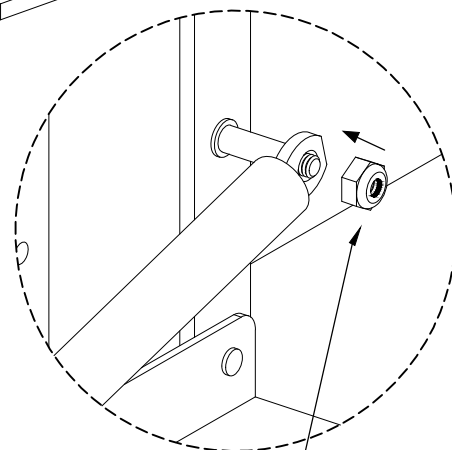
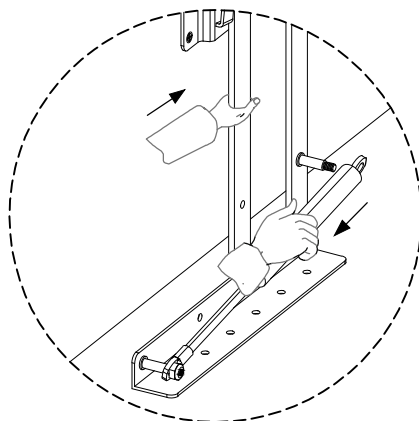
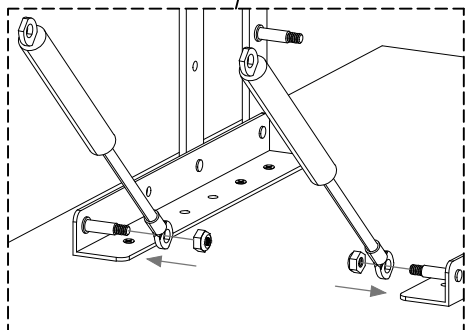
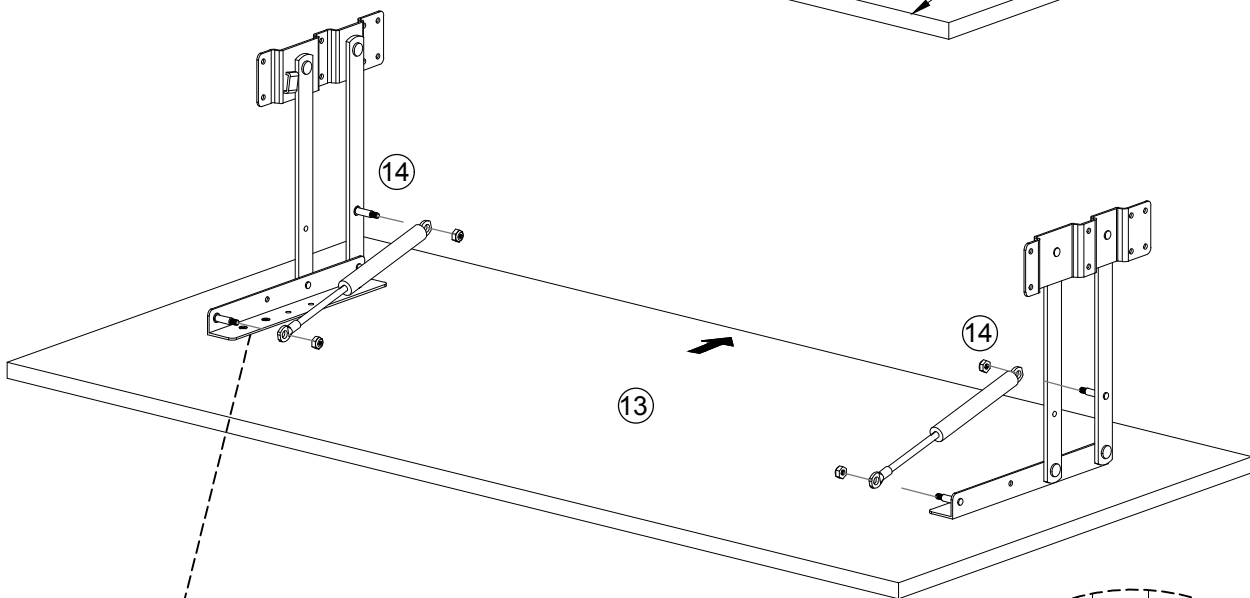
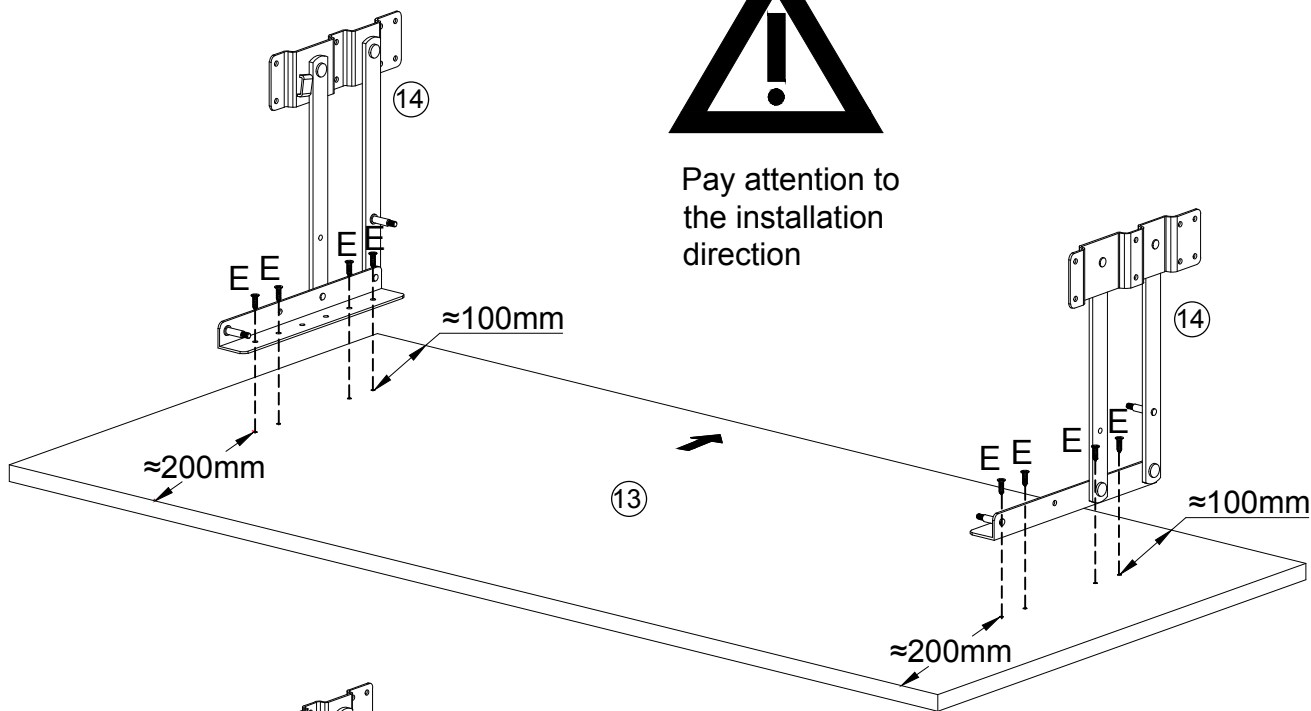


H*4

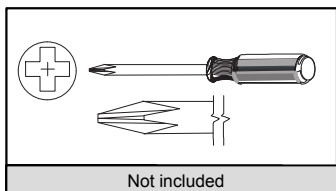
STEP 17




Pay attention to the installation direction



The side with blue rubber ring faces outside.

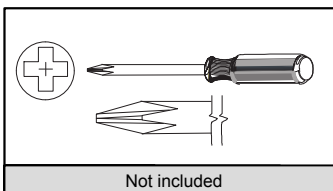
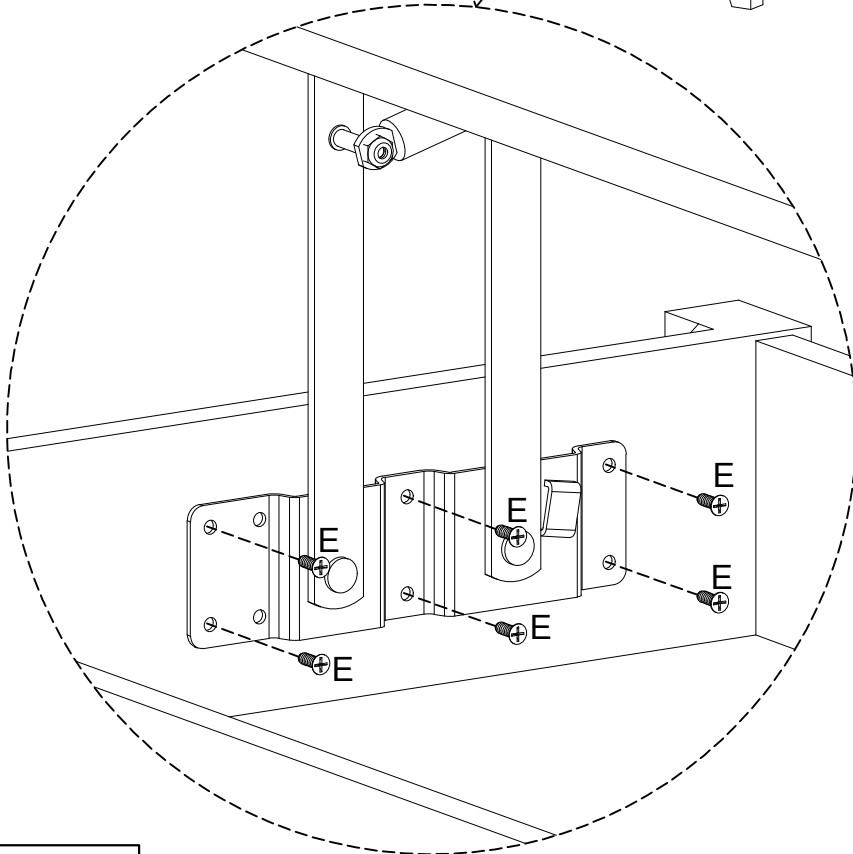
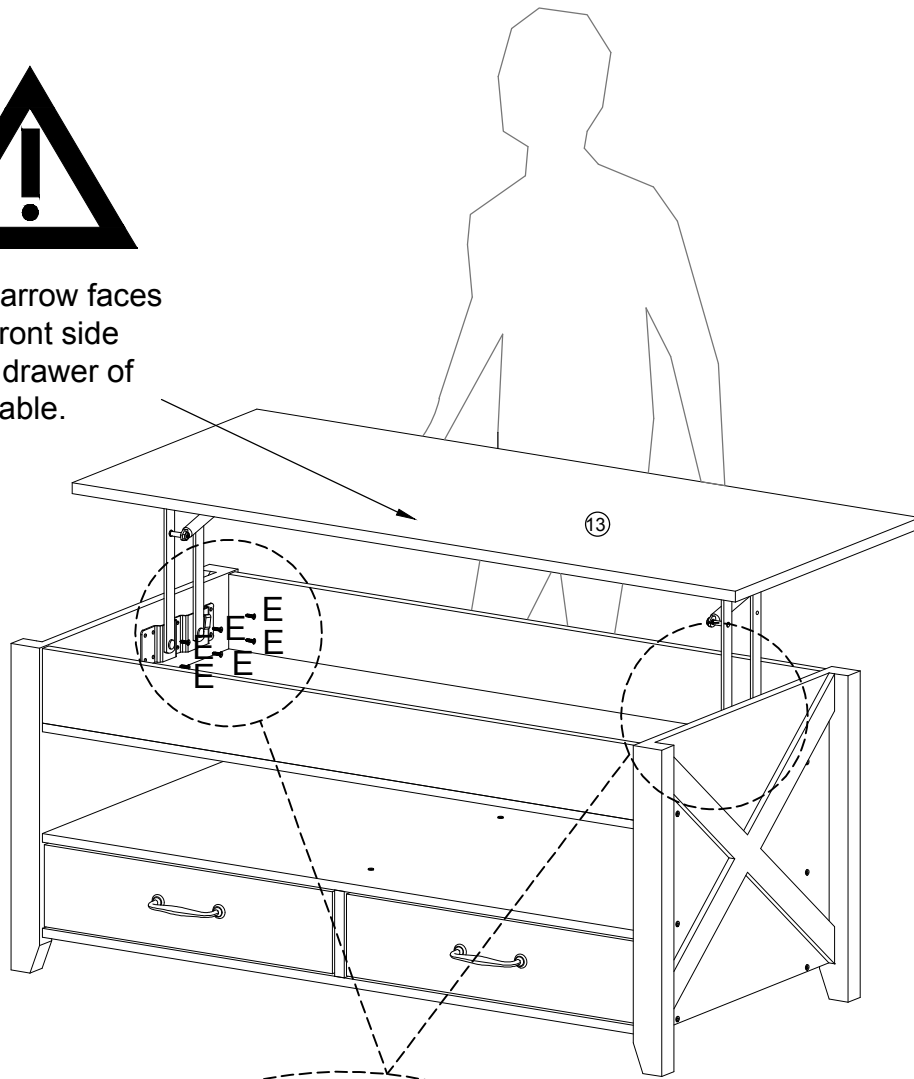


- ⑬ *1
⑭ *1
E*8
 #1

STEP 18



The arrow faces
the front side
with drawer of
the table.



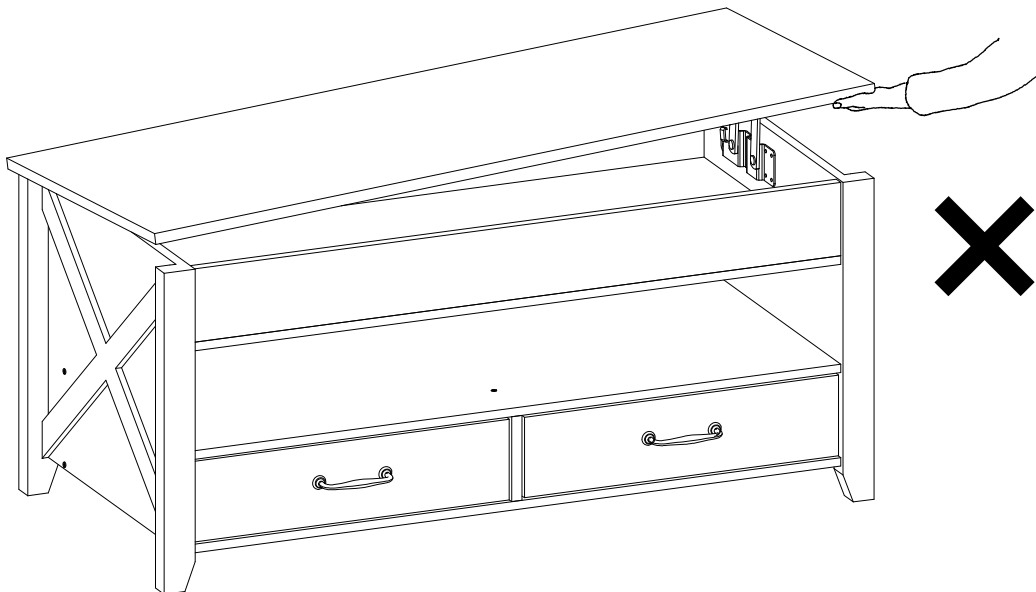
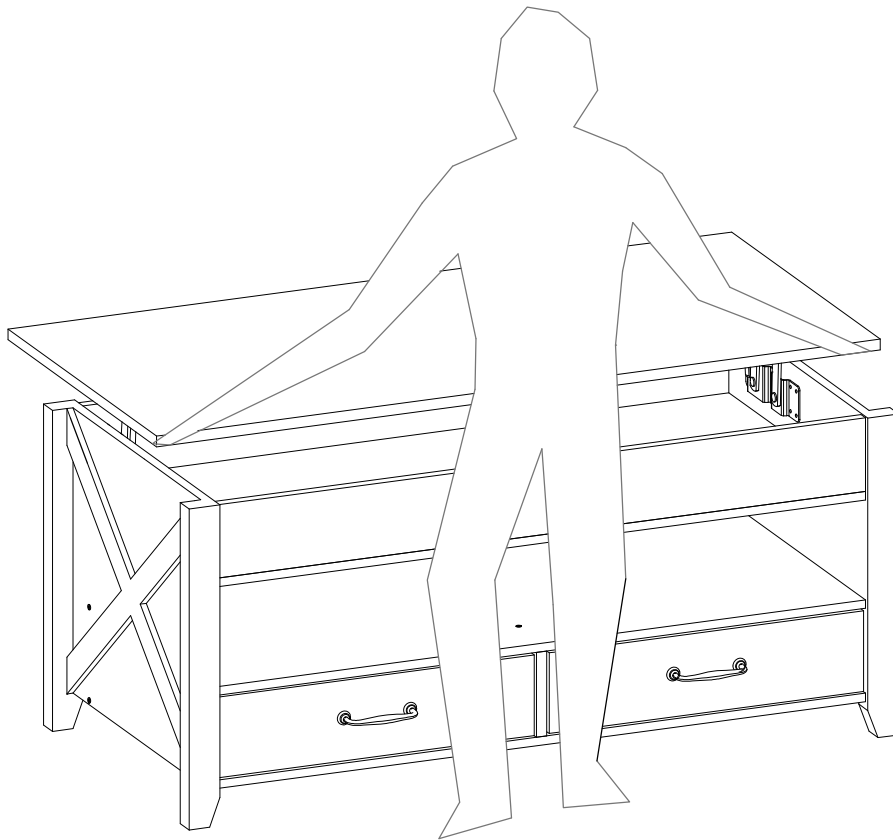
E*12

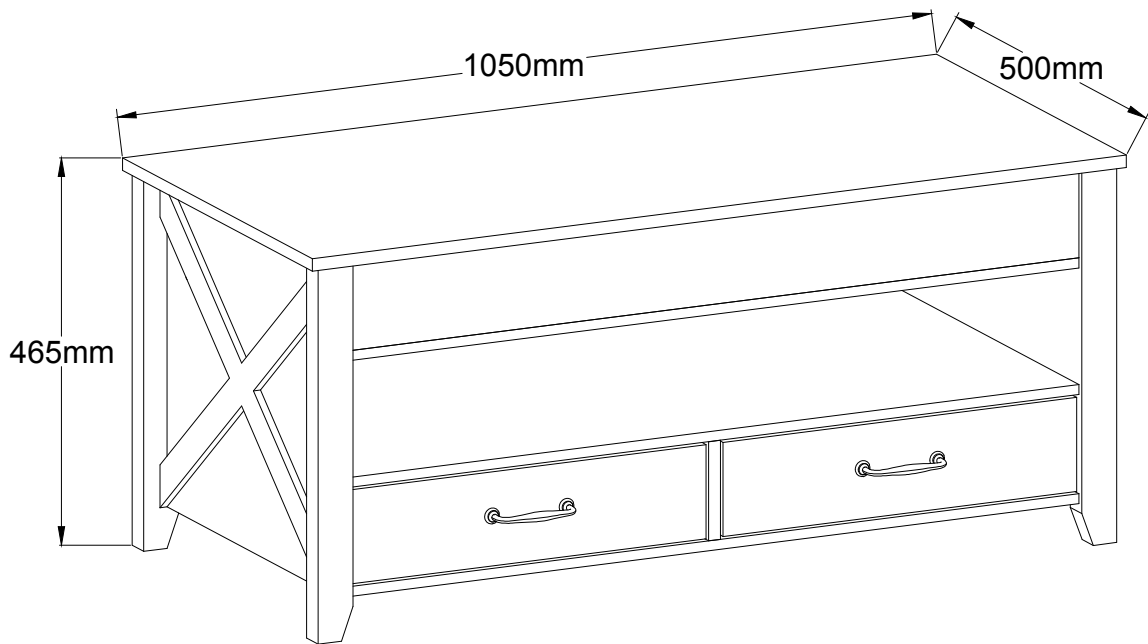
Final Assembly!

STEP 19



Lifting and lowering shall be operated by two hands





WARRANTY

This product is covered with _____ product and warranty for 12 Months from the date of its original purchase. If any problems occur, Please contact the _____ Customer Care Centre