

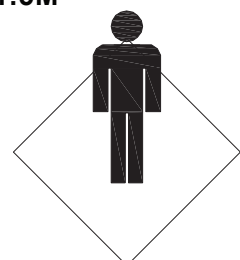
USER'S MANUAL Single Sofa with Footstool

THIS INSTRUCTION BOOKLET CONTAINS **IMPORTANT** SAFETY INFORMATION. PLEASE READ AND KEEP FOR FUTURE REFERENCE.

Please give us a chance to make it right and do better!

Contact our friendly customer service department for help first.
Replacements for missing or damaged parts will be shipped ASAP!

**FLOOR AREA
2MX1.5M**



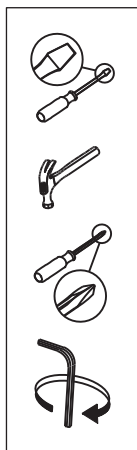
ASSEMBLED BY 1 ADULTS

Contact Us!

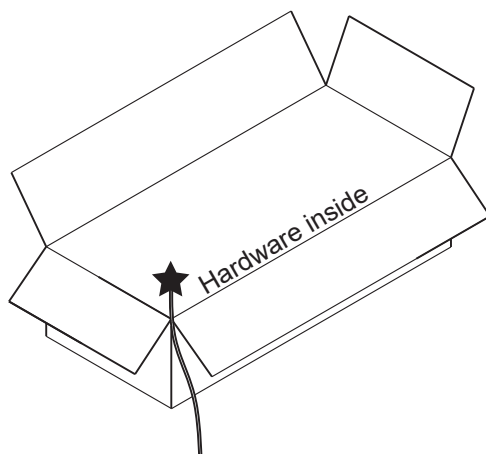
Do NOT return this item.

Contact our friendly customer service department for help first.

Before You Start



- ⚠ Read each step carefully before starting. It is very important to ensure each step followed in correct order, otherwise assembly difficulties may occur.
- ⚠ Most of board parts are labeled or stamped on the raw edges. Have a check to make sure all parts are included.
- ⚠ Work in a spacious area, preferably on a carpet close to where the unit will be used.
- ⚠ Keep the handtools close at hand. Do not use power tools to assemble your furniture. They may scratch or damage the parts.



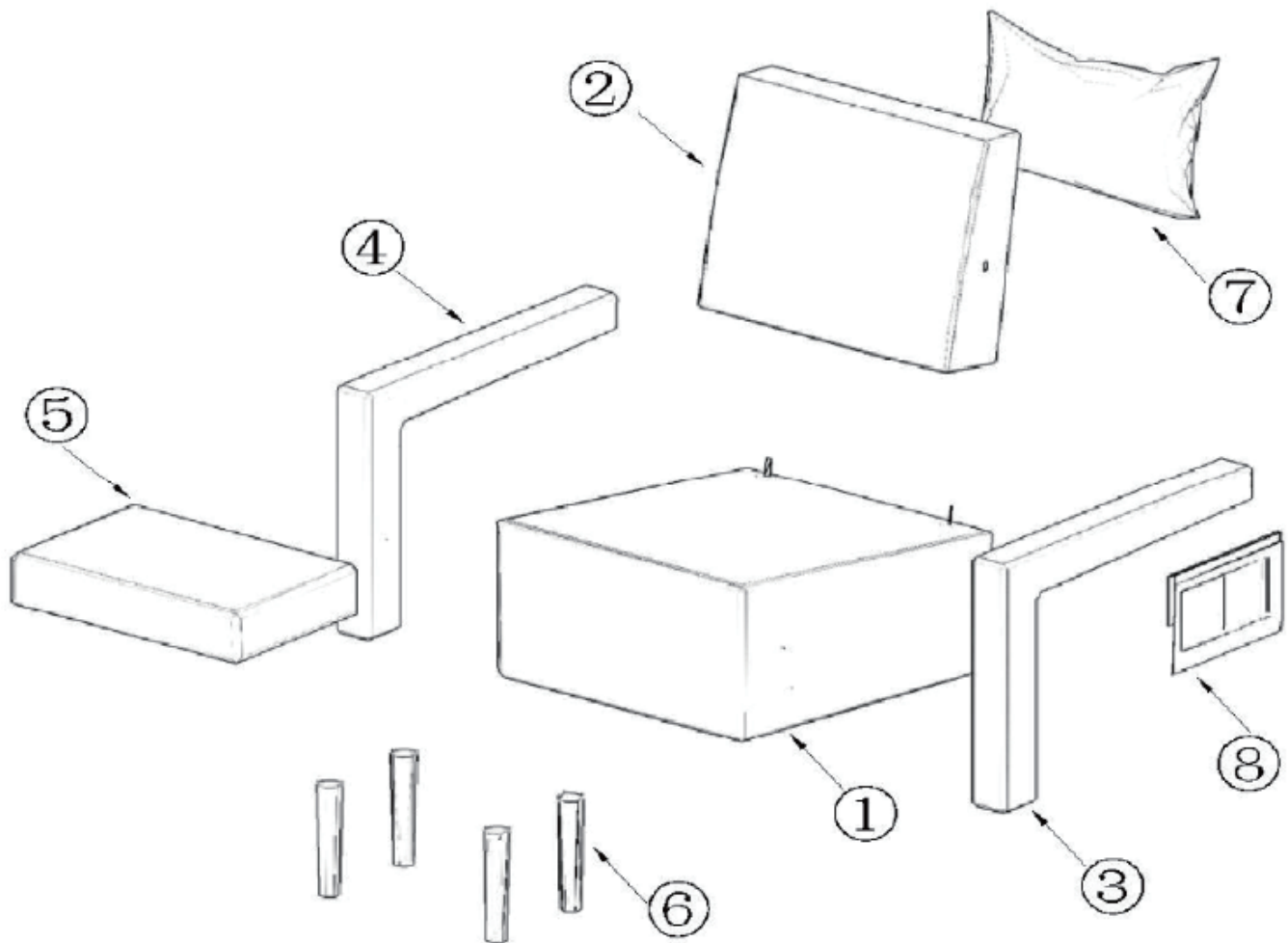
WARNING

The product must be assembled by adult before use.

Serious or fatal injury may occur from unexpected assembly or use.








1. During the assembly process, keep all parts away from babies or children.
2. After the assembly is completed, please keep the spare parts properly and place them out of the reach of infants and children.
3. Don't let children climb at will, otherwise there will be a risk of falling.
4. Don't use this product violently.

Parts List



- | | |
|-----------------|-------------------|
| ① Seat frame | ⑤ Footstool |
| ② Backrest | ⑥ Solid wood legs |
| ③ Left armrest | ⑦ Pillow |
| ④ Right armrest | ⑧ Magazine bag |

Hardware

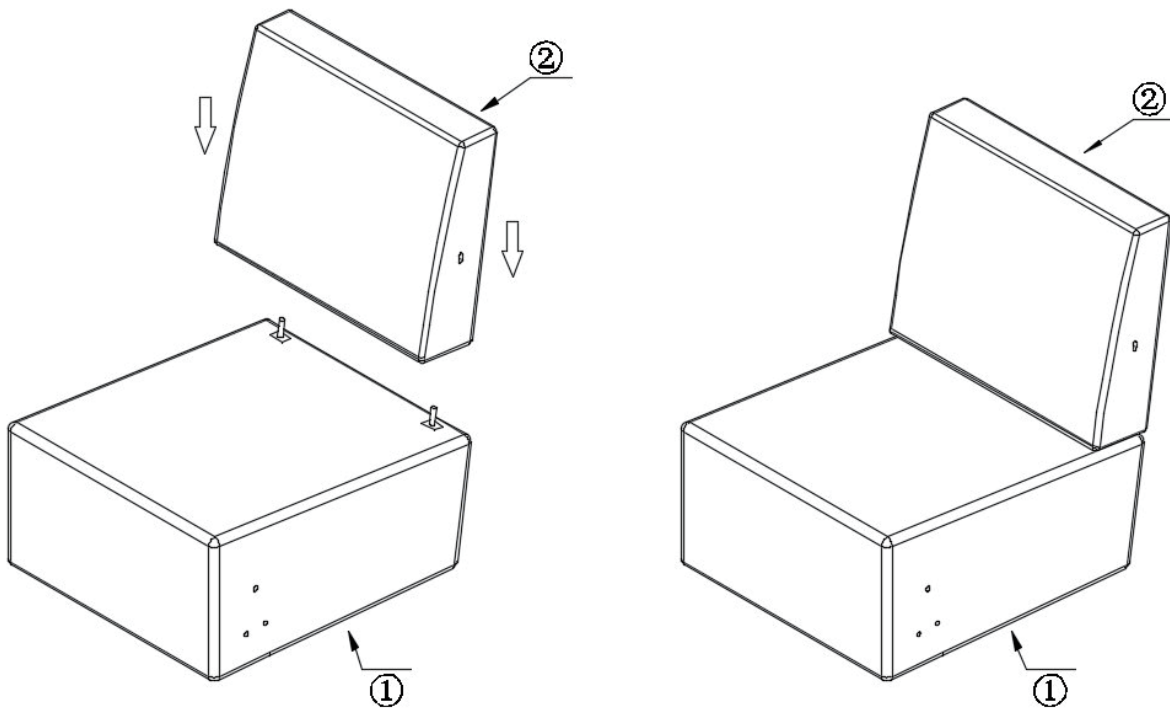
Handle screw	Allen key	Screw	Spring washer	Gasket	Adjustment feet	Chair nail
						
φ8*50	M6	φ8*90	M8	M8	M10	φ18
2PCS	1PC	6PCS	6PCS	6PCS	4PCS	4PCS

Unpacking

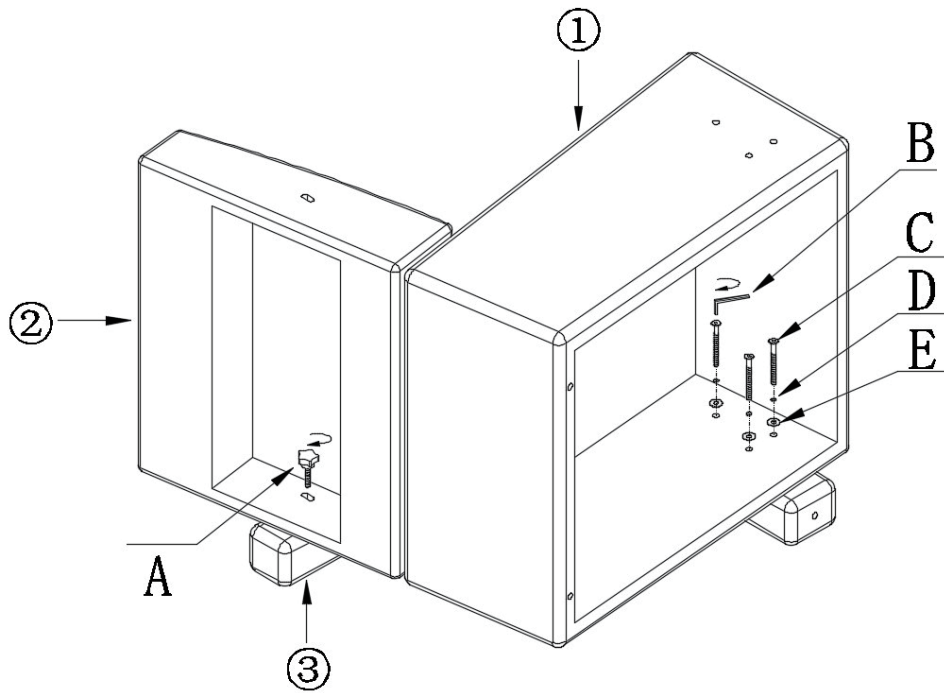
1. Cut the tape with a knife or other tools.
2. Unfasten the protective bag, take out the accessory bag, pillow, left and right armrest and solid wood foot in turn, and put them aside.
3. Take out the base, and then put it upside down. Take out the back inside the base obliquely and put it aside. Pay attention not to scratch the back.
4. Prepare for assembly.

Assembly Steps

STEP 1

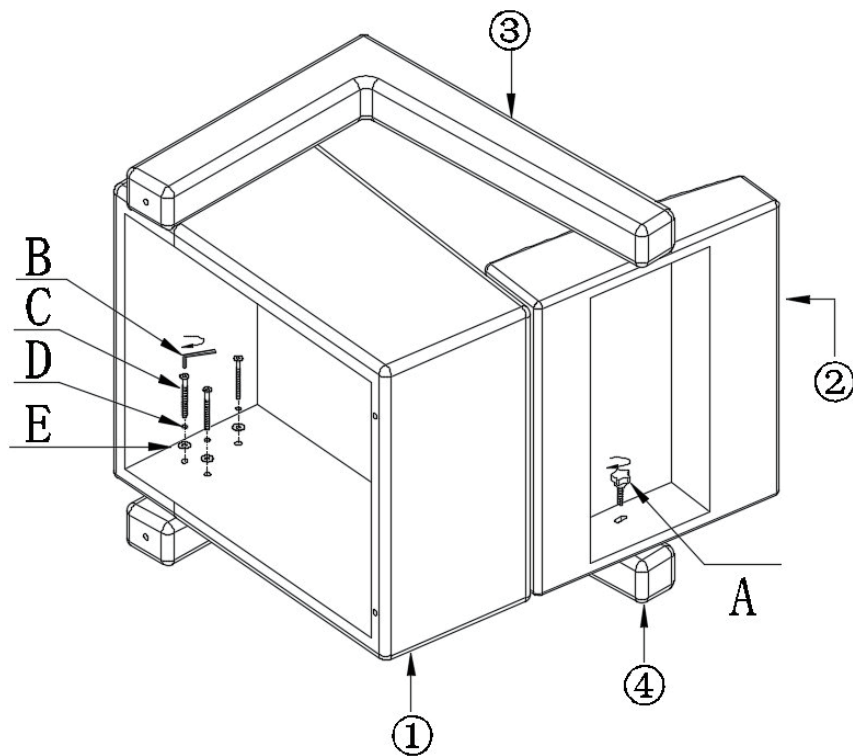


STEP 2

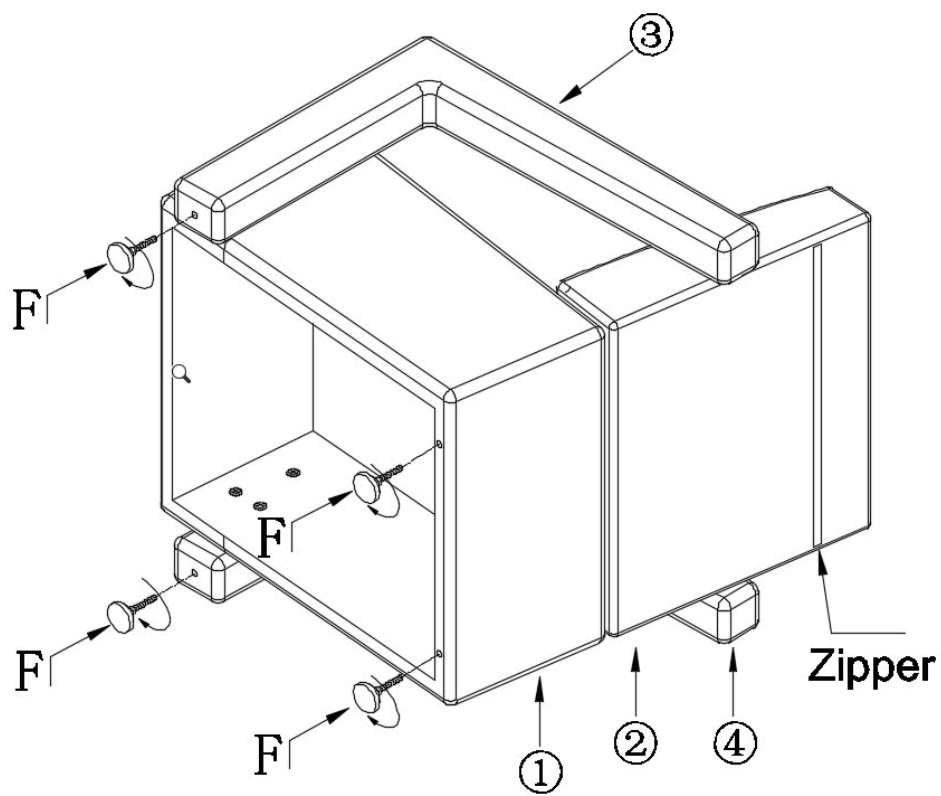


Note: The three bolts of the bottom frame can't be tightened at one time. After the back rest and armrest are connected with bolts, they can be tightened uniformly.

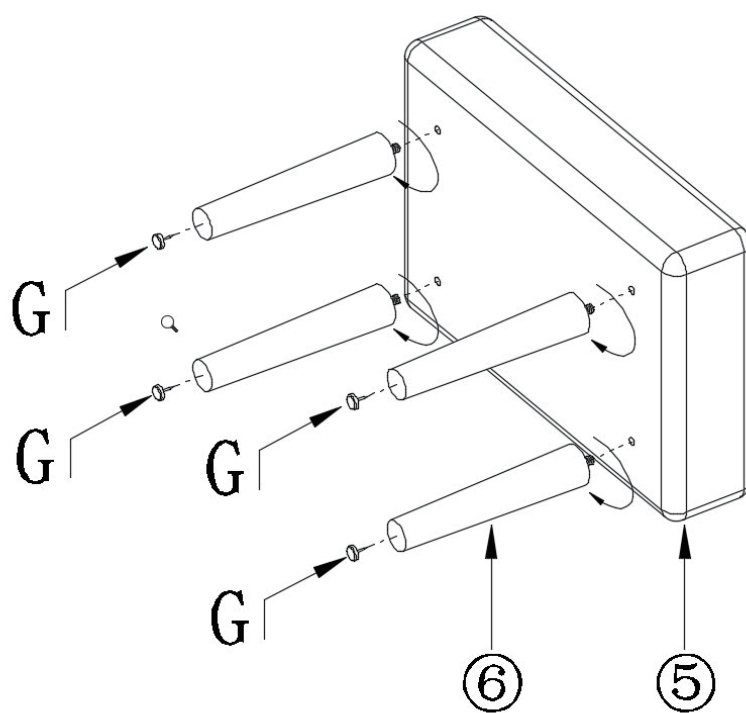
STEP 3



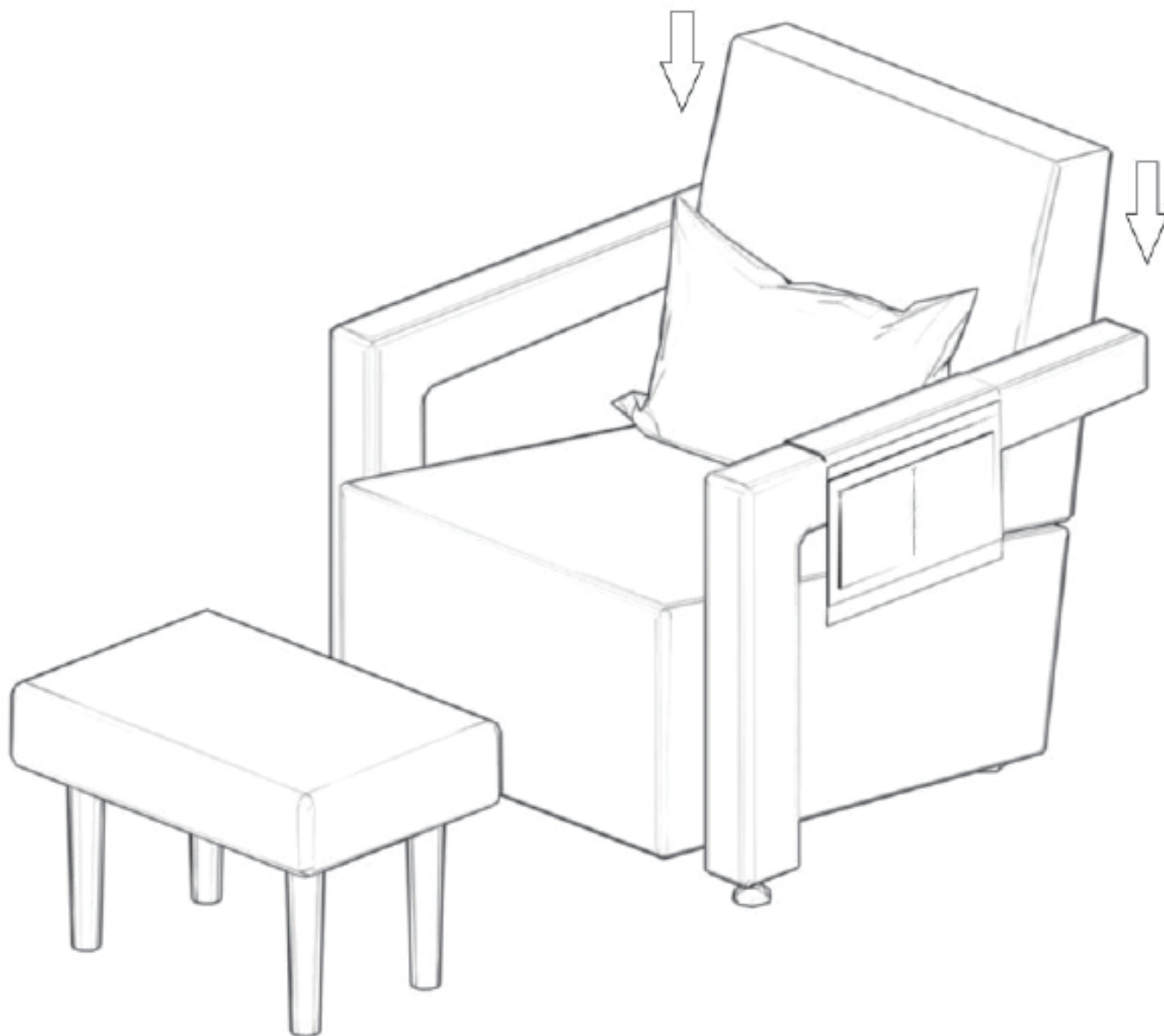
STEP 4



STEP 3



Assembly completed



**END
THANKS!**

Care and Maintenance

Use a soft, clean cloth that will not scratch the surface when dusting.

Use of furniture polish is not necessary.

Should you choose to use polish, test first in an inconspicuous area.

Using solvents of any kind on your furniture may damage the finish.

Never use water to clean your furniture as it may cause damage to the finish.

Liquid spills should be removed immediately. Using a soft clean cloth, blot the spill gently. Avoid rubbing.

Check bolts/screws periodically and tighten them if necessary.

Further advice about wood furniture care

It is best to keep your furniture in a climate-controlled environment.

Extreme temperature and humidity changes can cause fading, warping, shrinking and splitting of wood.

It is advised to keep furniture away from direct sunlight as sun may damage the finish.

Proper care and cleaning at home will extend the life of your purchase.

Following these important and helpful tips will enhance your furniture as it ages.