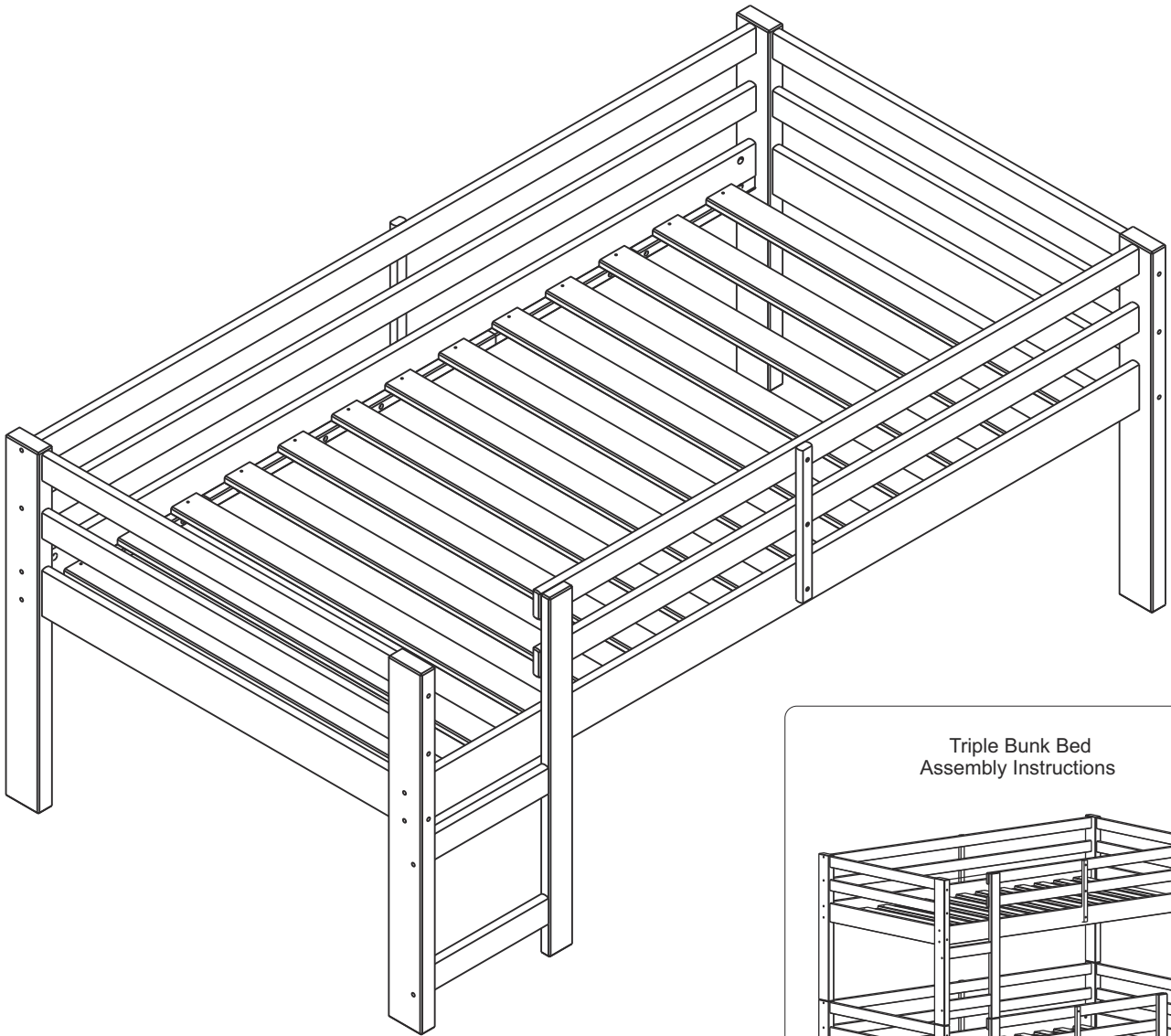


# Assembly Instructions



Triple Bunk Bed  
Assembly Instructions



**TO ASSEMBLE THE  
TRIPLE BUNK BED ITEM,  
YOU ALSO NEED THE BWJRTOT  
BUNK BED**

# Instruction Manual

## ***IMPORTANT INFORMATION READ BEFORE ASSEMBLING THIS PRODUCT***

Follow the information on the warning labels found on the bunk bed and on the packaging. Do not remove the warning label from the bed.

Use only a mattress with the dimensions 74-75 in. L x 37 1/2 - 38 1/2 in. W x 7 in. H on the upper bunk. A mattress with the same dimensions is also recommended for the lower bunk.

The surface of the mattress must be at least 5 in. (127mm) below the upper edge of the guardrails. Mattress must not exceed the maximum thickness of 7 in.

Always use the recommended size of mattress or mattress support, or both, to help prevent the likelihood of entrapment or falls.

The use of a water or sleep flotation mattress is prohibited.

Replacement parts, including additional guardrails, may be obtained from any of Walker Edison Furniture Company's dealers or by contacting us online at [www.walkerredison.com](http://www.walkerredison.com).

DO NOT use substitute parts. Contact the manufacturer or dealer for replacement parts.

Always use guardrails on the upper bunk. If the bunk bed will be placed next to a wall, the guardrail running the full length of the bed should be placed against the wall to prevent entrapment between the bed and the wall.

Periodically check that the guardrails, ladders and other components of the bed are in their proper position, free from damage, and that all connectors are tight.

Always use the ladder to access the upper bunk.

DO NOT allow children under 6 years of age to use the upper bunk.

DO NOT allow horseplay on or under the bed. Prohibit jumping on the bed.

Prohibit more than one person on the upper bunk.

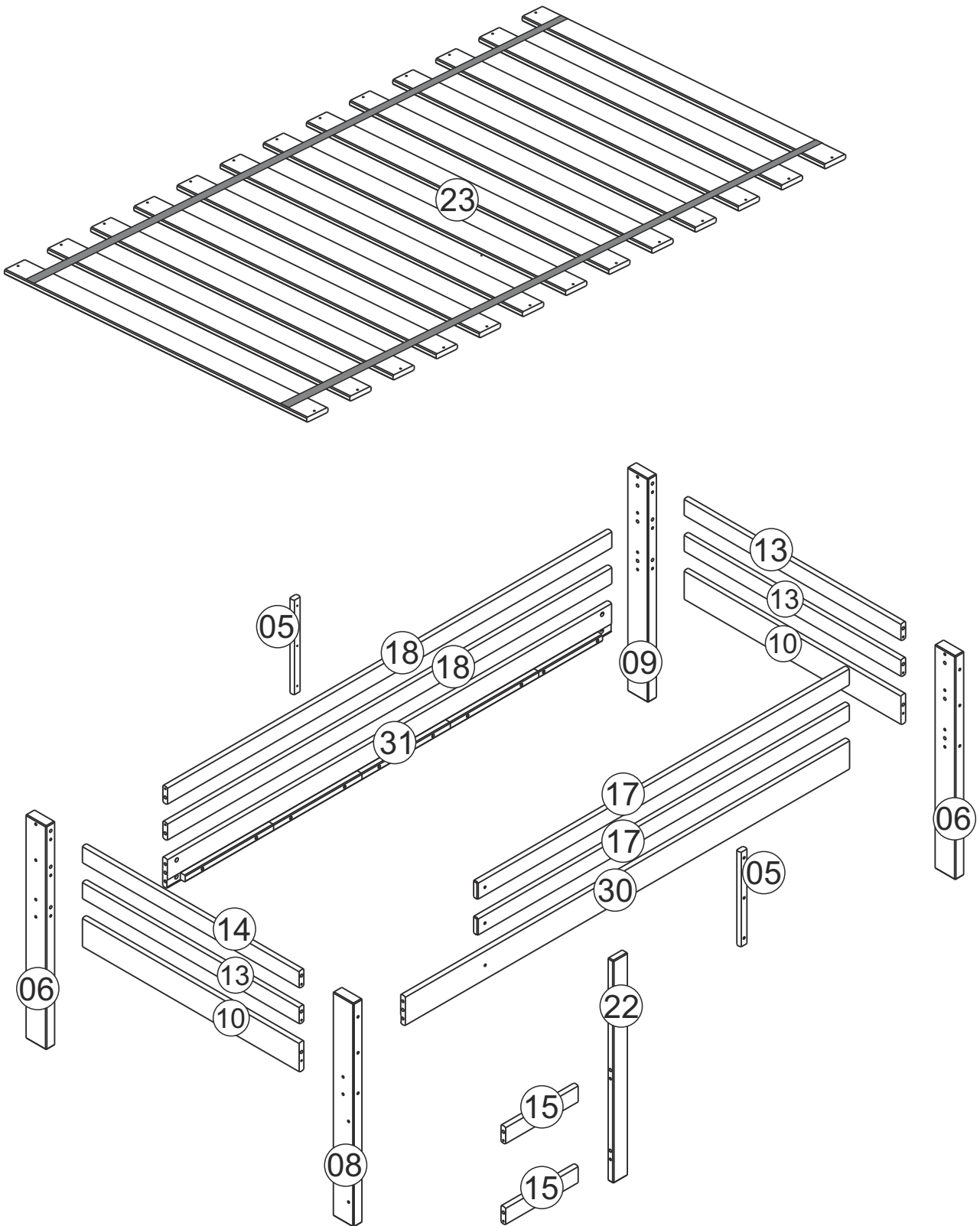
The use of a night light may provide an added safety precaution for a child using the upper bunk.

**STRANGULATION HAZARD** – Never attach or hang items to any part of the bunk bed that are not designed for use with the bed; including but not limited to hooks, belts and jump ropes.

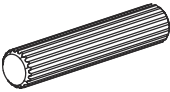
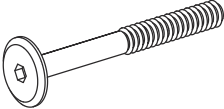
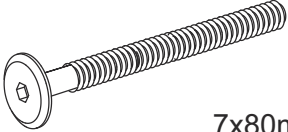
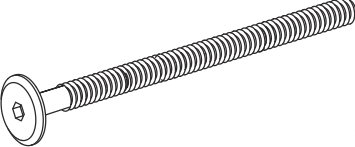
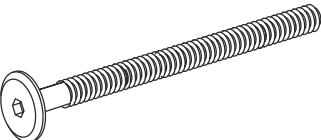
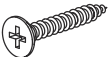
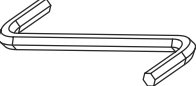
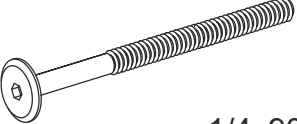
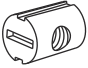
**DANGER D'ÉTRANGLEMENT**- Ne jamais attacher ni suspendre quelque chose au lit, qui ne fait pas partie du lit superposé. Ceci inclut, sans s'y limiter : crochets, ceintures ou cordes à sauter.

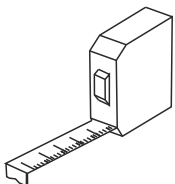
Keep these instructions for future reference.

# Parts List



# Hardware List

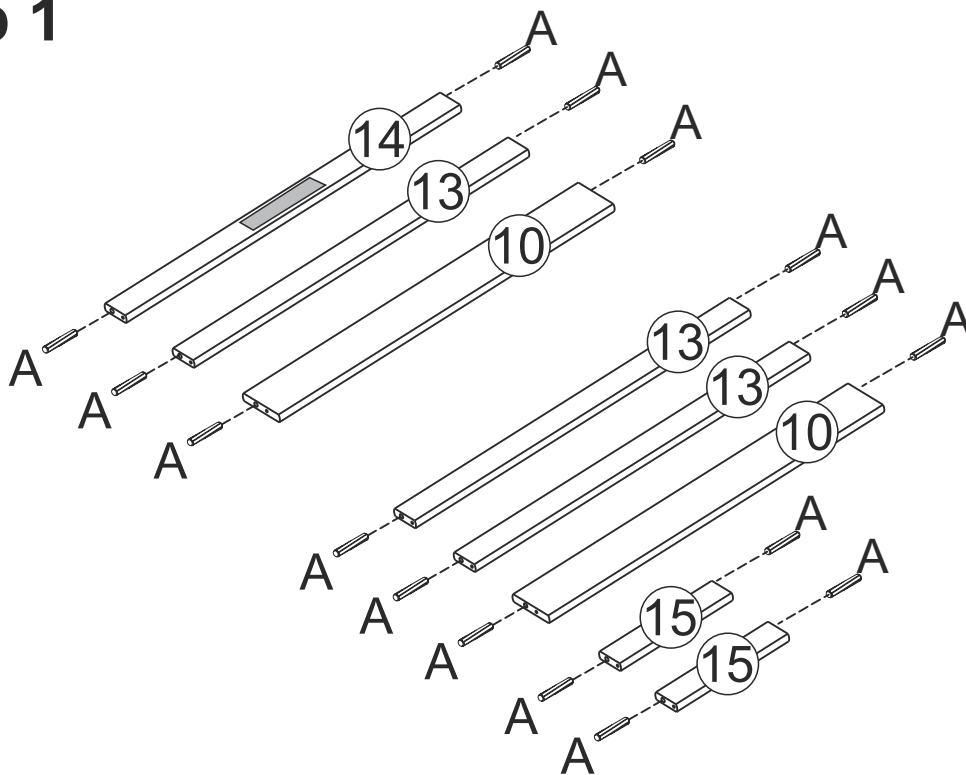
Ref.		Qty.
A	 10x40mm	26
F	 7x40mm	03
G	 7x80mm	08
H	 7x120mm	12
I	 7x100mm	02
J	 4,0x30mm	32
L	 Hex Key	01
O	 1/4x90mm	08
P	 1/4	08



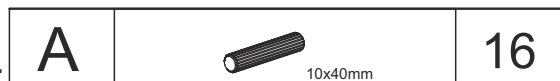
Phillips head screwdriver required for assembly  
(not included)

*The hardware quantities listed above are required for proper assembly.  
Some extra hardware may also have been included.*

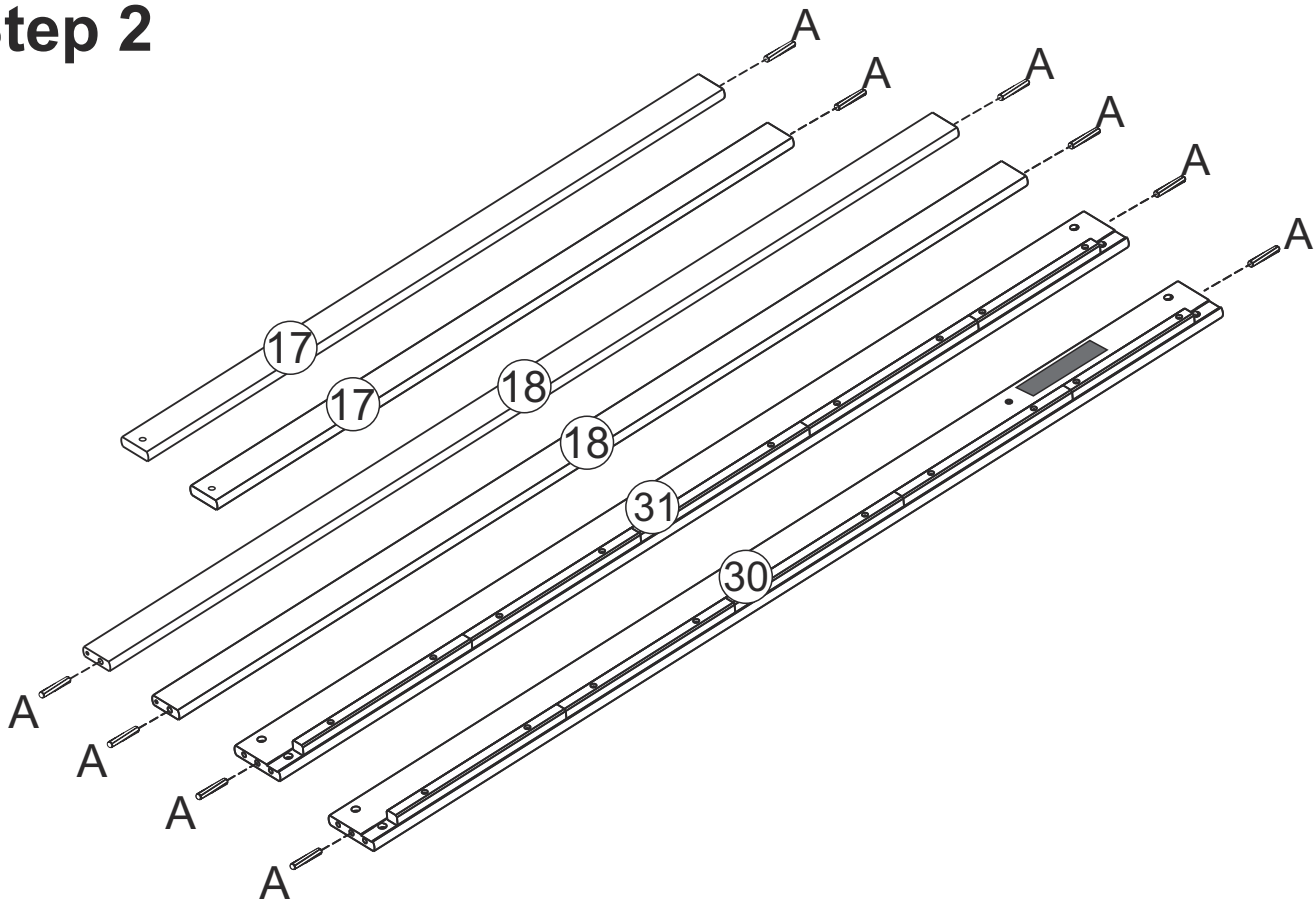
# Step 1



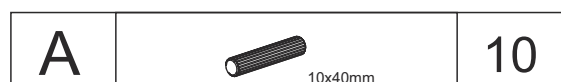
Insert wood dowels (A) into slats (10,13,14 and 15).



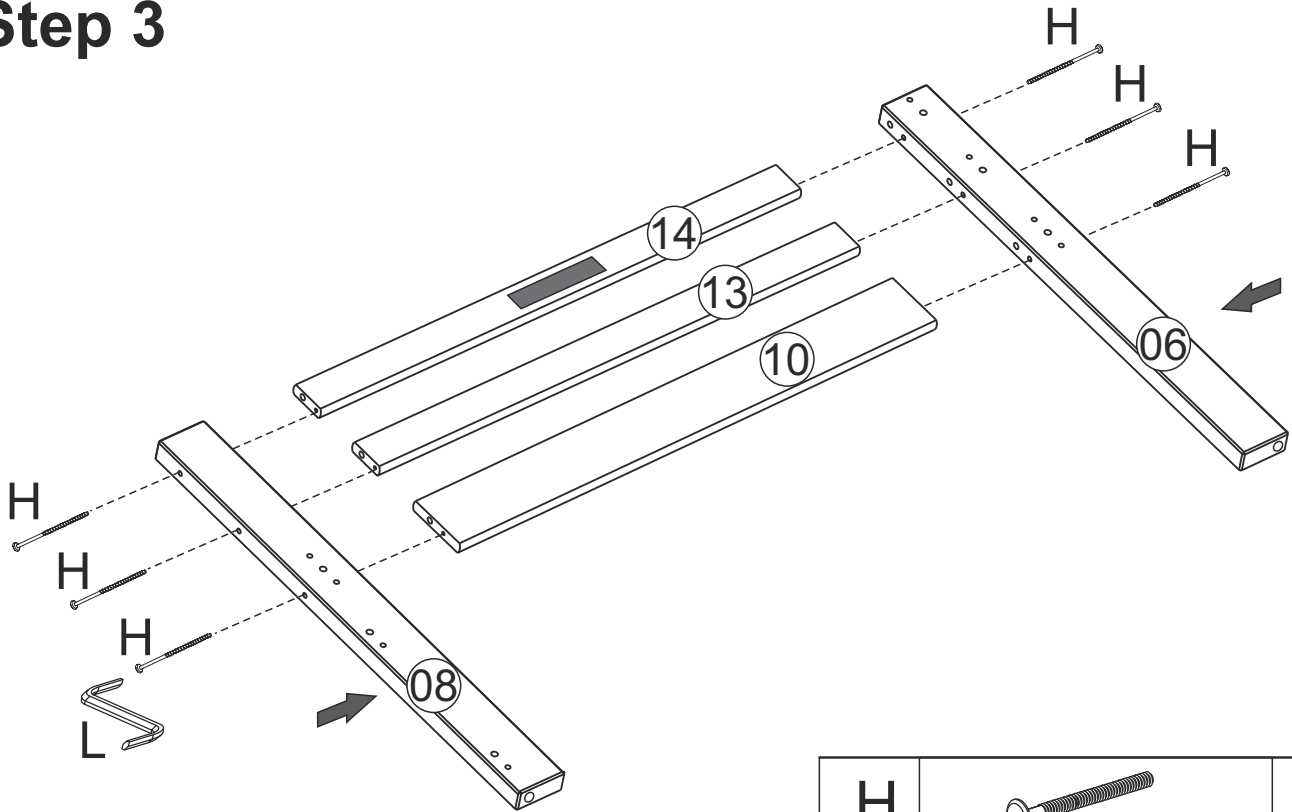
# Step 2




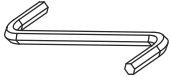
Insert wood dowels (A) into guard rails (17,18) and side rails (30, 31).



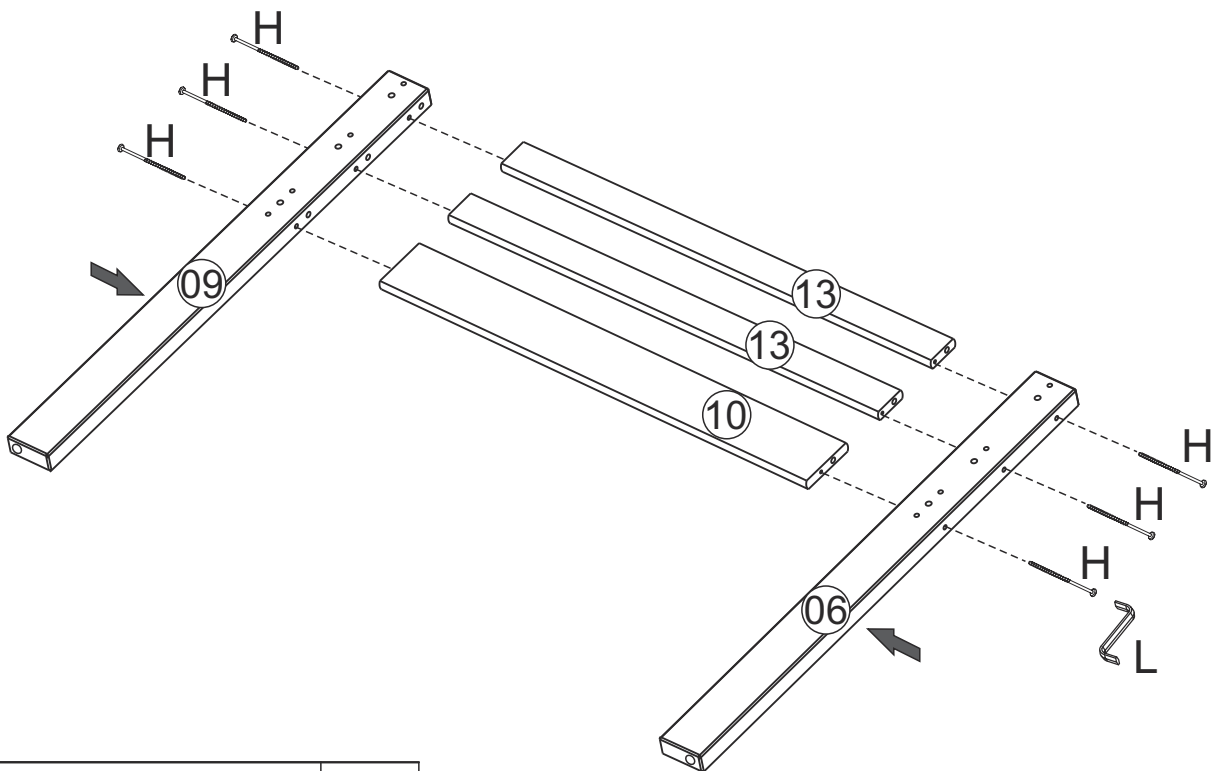
# Step 3

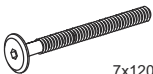
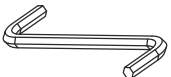


Attach legs (6 and 8) to slats (10,13,14) using screws (H) and Hex Key (L).

H	 7x120mm	06
L	 Hex Key	01

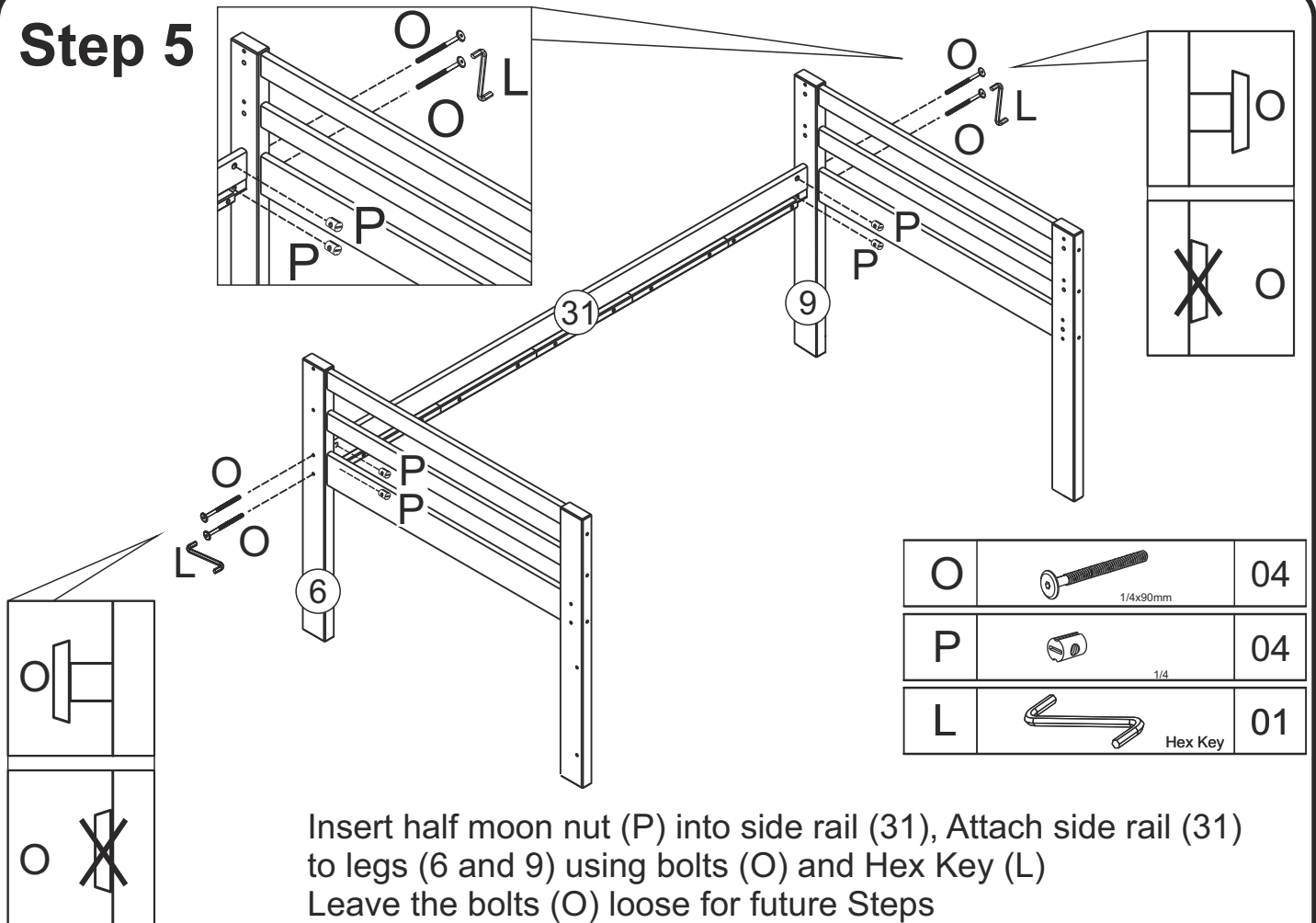
# Step 4



H	 7x120mm	06
L	 Hex Key	01

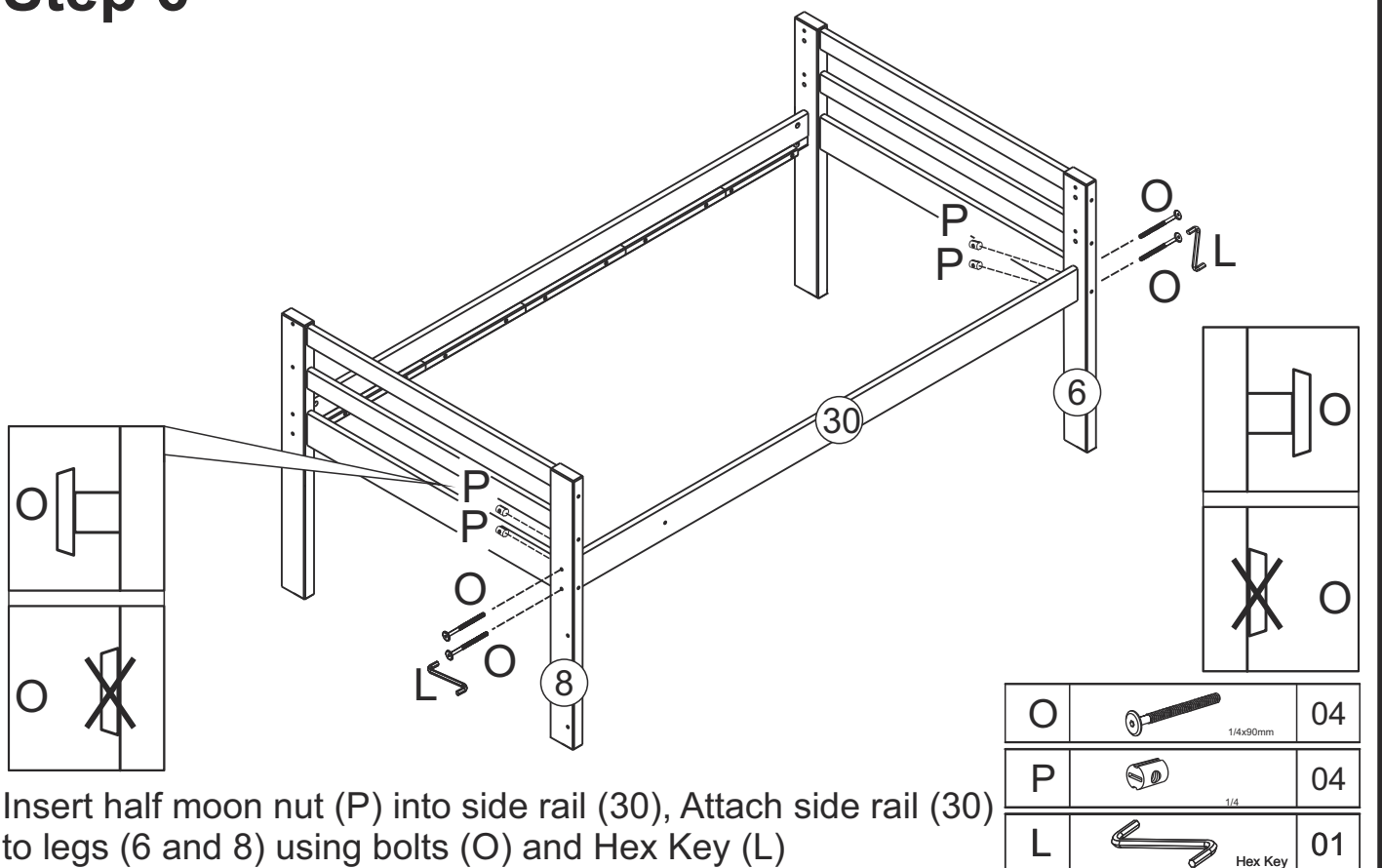
Attach legs (6 and 9) to slats (10 and 13) using screws (H) and Hex Key (L).

## Step 5



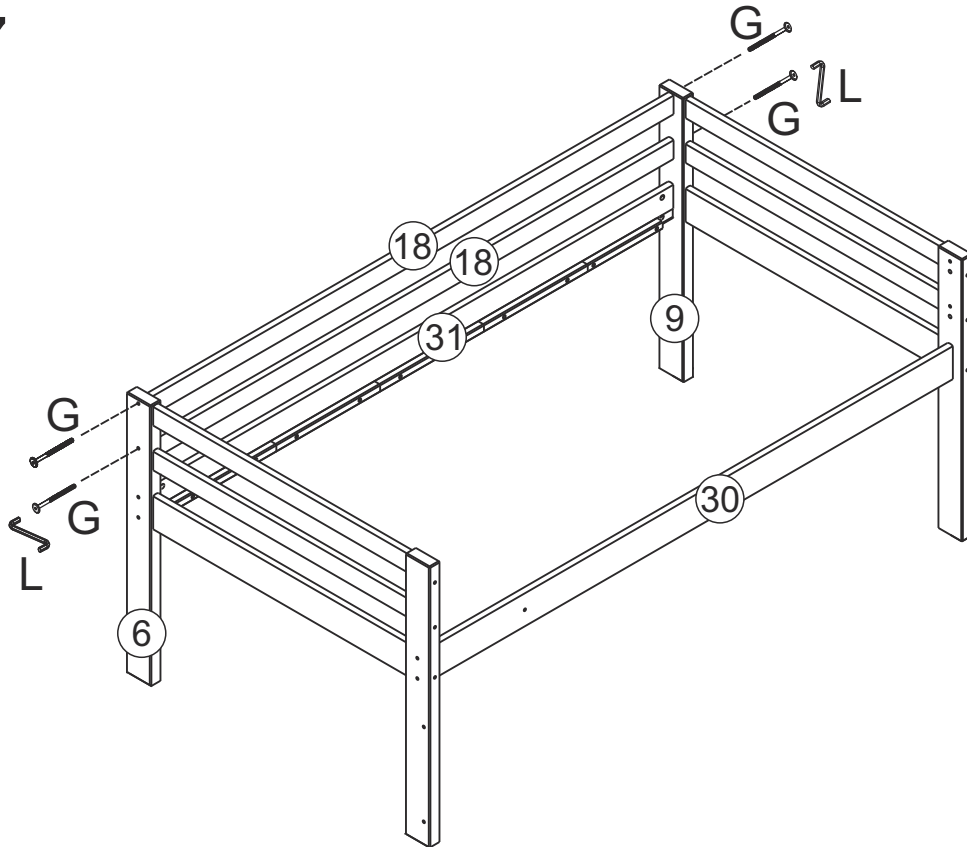
Insert half moon nut (P) into side rail (31), Attach side rail (31) to legs (6 and 9) using bolts (O) and Hex Key (L)  
Leave the bolts (O) loose for future Steps

## Step 6





Insert half moon nut (P) into side rail (30), Attach side rail (30) to legs (6 and 8) using bolts (O) and Hex Key (L)  
Leave the bolts (O) loose for future Steps

# Step 7

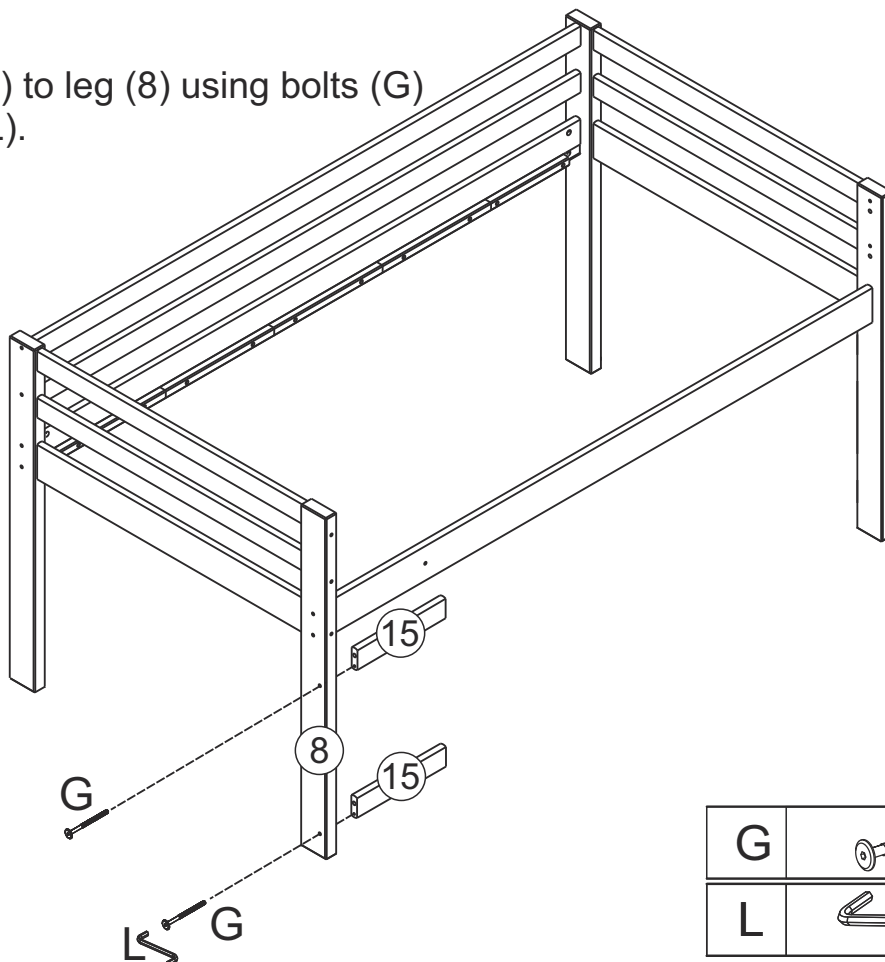




Attach guard rails (18) to legs (6 and 9) using bolts (G) and Hex Key (L).  
Then tighten (D) on Side Rails (30, 31).

G	 7x80mm	04
L	 Hex Key	01

# Step 8

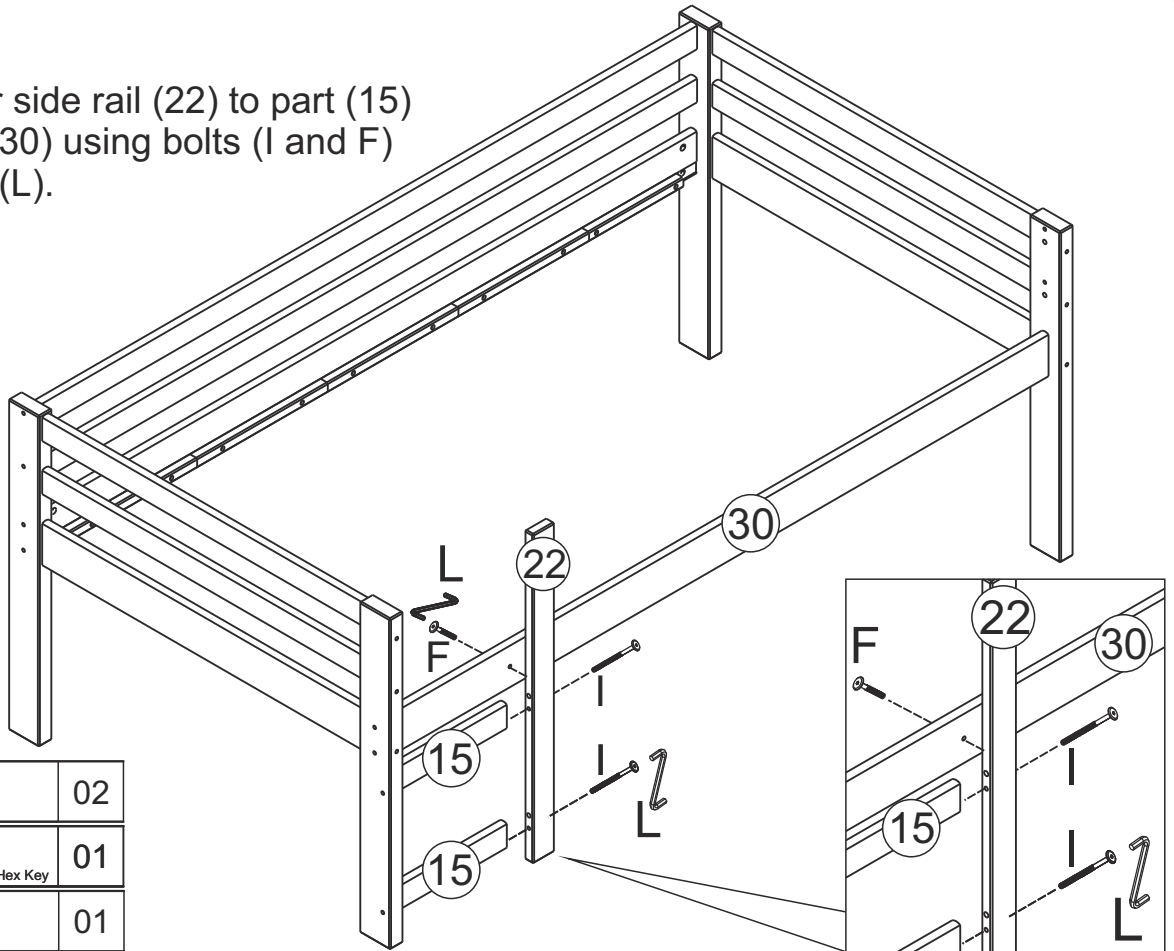
Attach part (15) to leg (8) using bolts (G) and Hex Key (L).






G	 7x80mm	02
L	 Hex Key	01

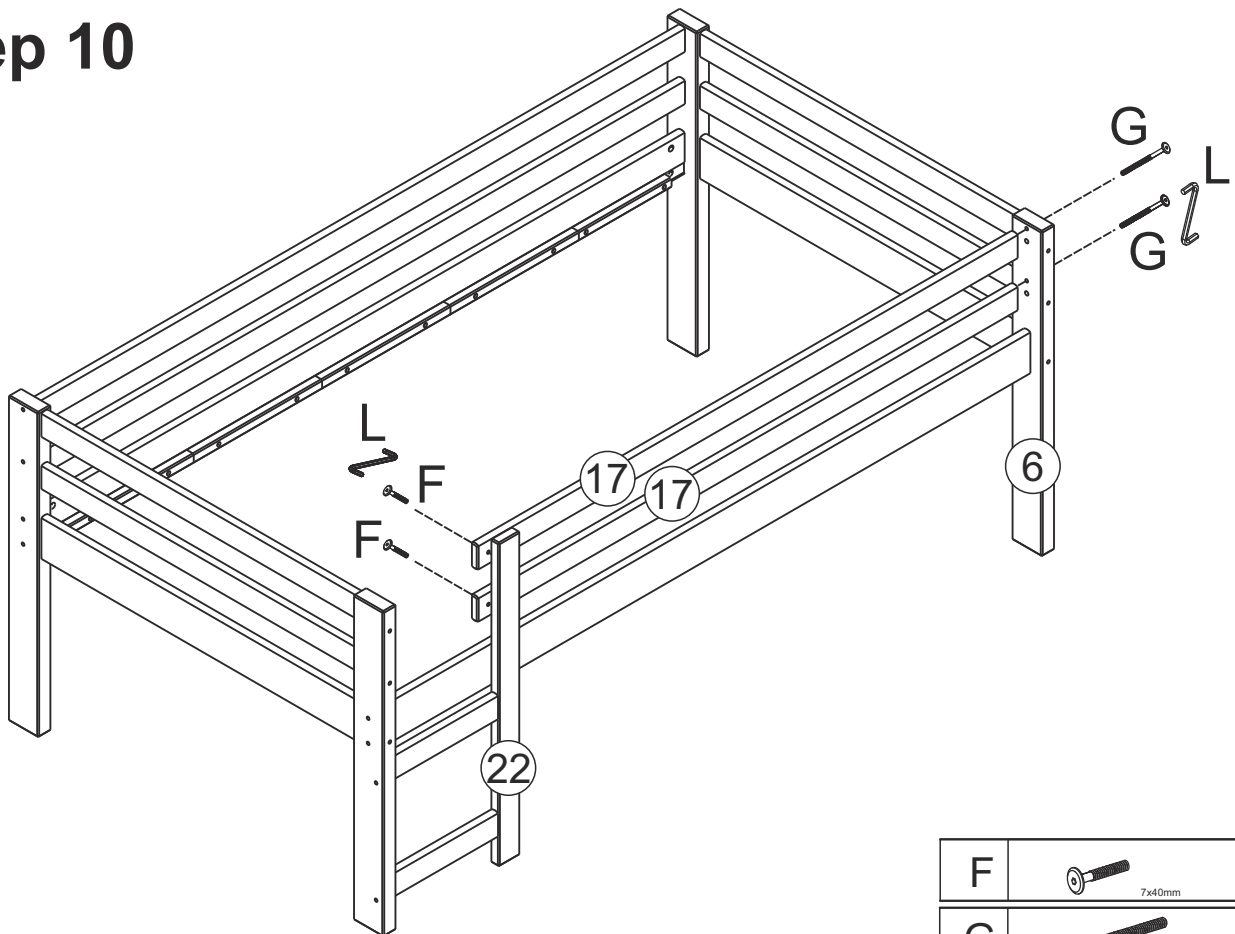
## Step 9

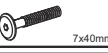
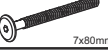

Attach ladder side rail (22) to part (15) and side rail (30) using bolts (I and F) and Hex Key (L).



I		02
L		01
F		01

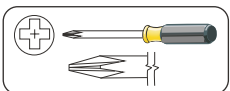
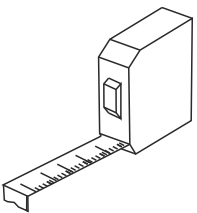
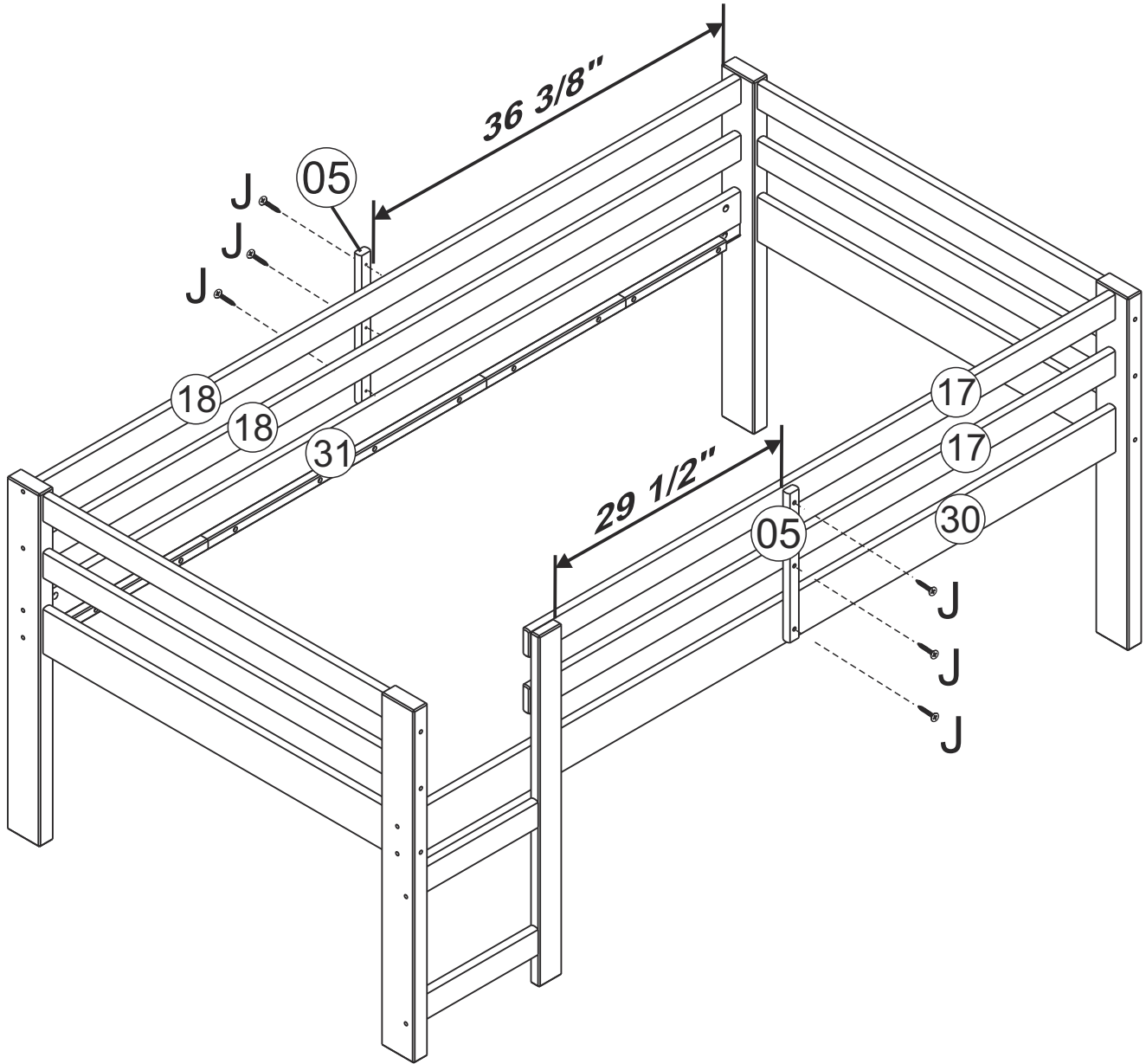
## Step 10

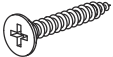


F		02
G		02
L		01

Attach guard rail (17) to leg (06) and ladder side rail (22) using bolts (G and F) and Hex Key (L).

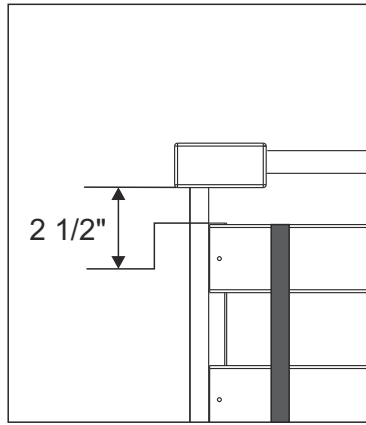
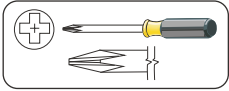
# Step 11



J	 4.0x30	06
---	---	----

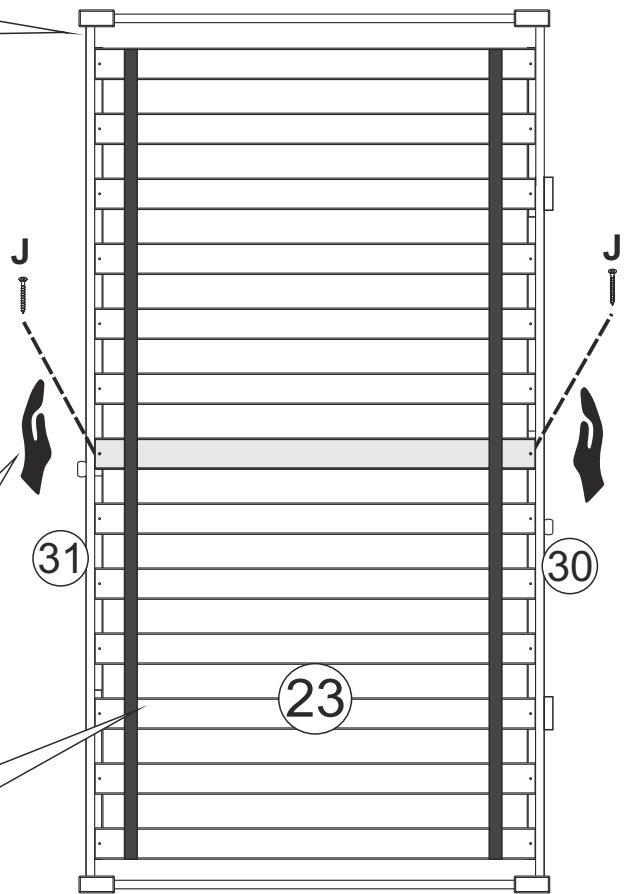
Connect guard rail support (05) to guard rail (17,18) and bed rail (30 and 31) using screw (J). Follow measurements shown in diagram.

# Step 12

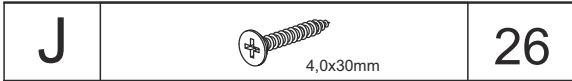
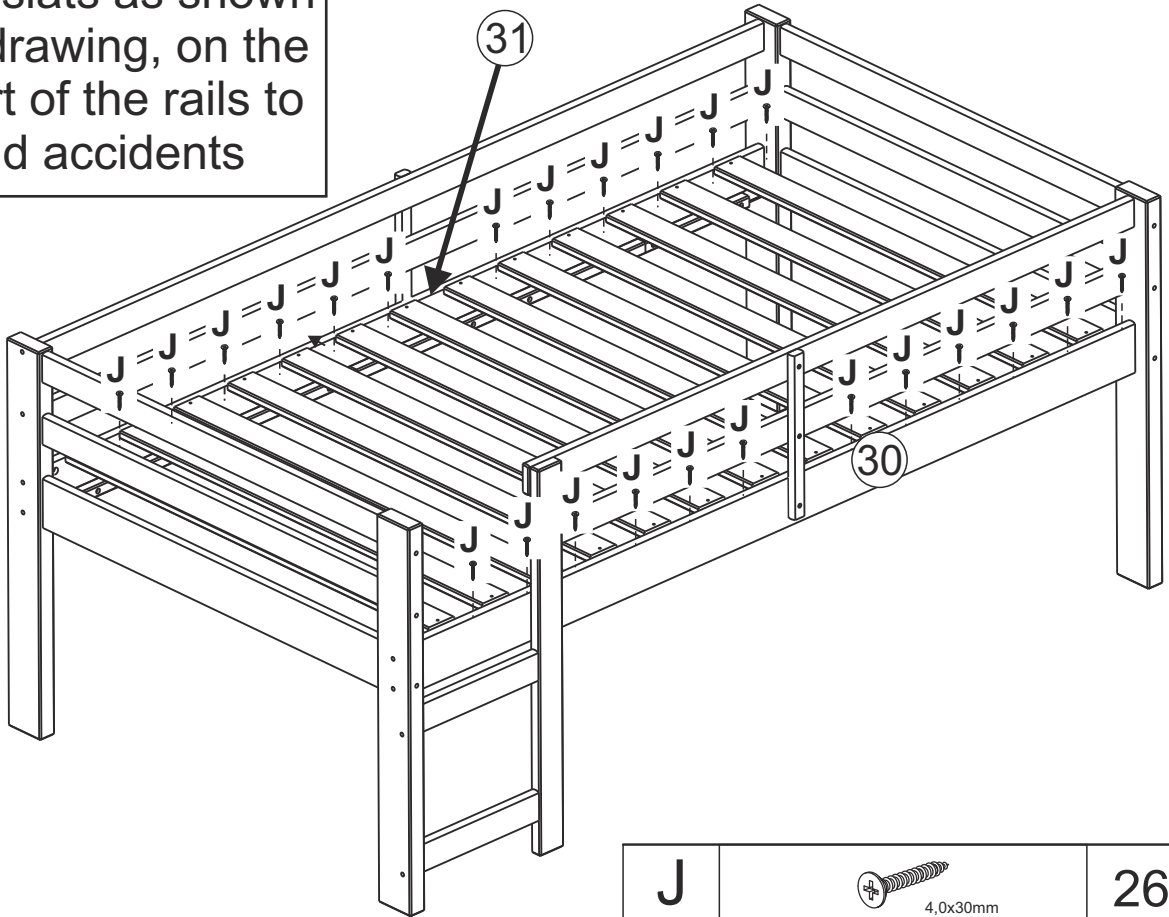


Apply pressure to cross beams (30,31) to ensure that mattress supports (23) fit evenly between cross beams

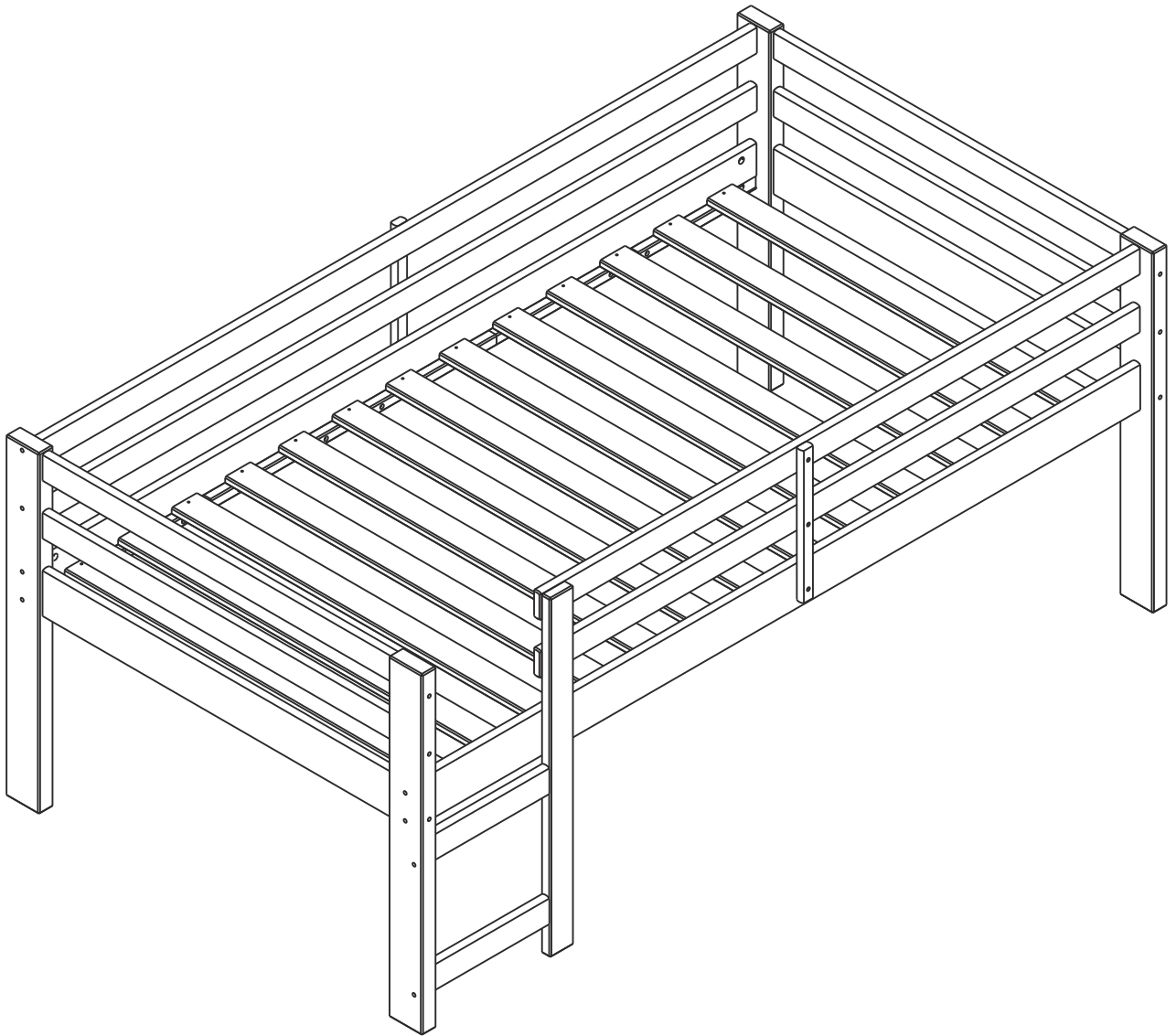
Install slat kit with spacer tape on top (Facing up).



**!**  
Fix the slats as shown in the drawing, on the support of the rails to avoid accidents



Install slat kit (23) to bed rails with screws (J). Spacer tape will face up.



Final Assembly