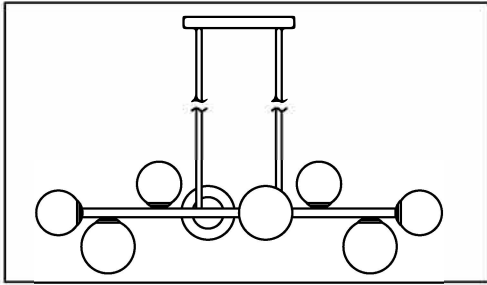
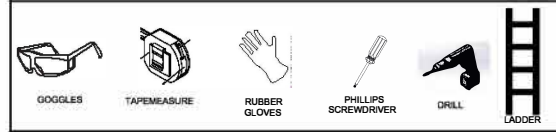


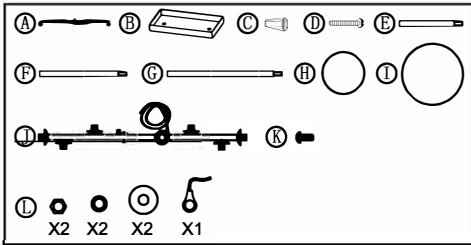
# INSTALLATIONGUIDE



## TOOLS YOU MAY NEED

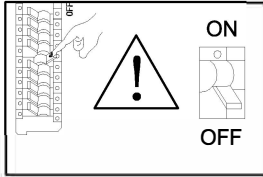


## PARTSLIST



- A.Mounting bracket x1
- B.Canopy x1
- C.The Junction Caps x3
- D.Mounting bracket screw x2
- E.Rod L6" x2
- F.Rod L8" x2
- G.Rod L12" x6
- H. Glass S x4
- I. Glass L x4
- J.Lamp body x1
- K.Screw x1
- L.Screw kit x1 set

## CIRCUITBOX



Please read and understand the entire manual before attempting to assemble, operate, or install the product.

Make sure that you have all necessary parts by checking the parts list. If any part is missing or damaged please contact **CUSTOMER SERVICE** for a replacement.

All parts must be used as indicated in these instructions. Do not substitute any parts, leave parts out, or use any parts that are worn or broken.

Highly recommends to use a qualified, licensed electrician to install the fixture.

Recommends to install the fixture on its own independent circuit. Do not install the fixture on the same circuit with the other appliances, or HVAC systems.

**DO NOT CUT WIRES** attached to the fixture under any circumstance. Cutting wires will **VOID** your warranty. Excess cable should be neatly looped and tucked into the canopy.

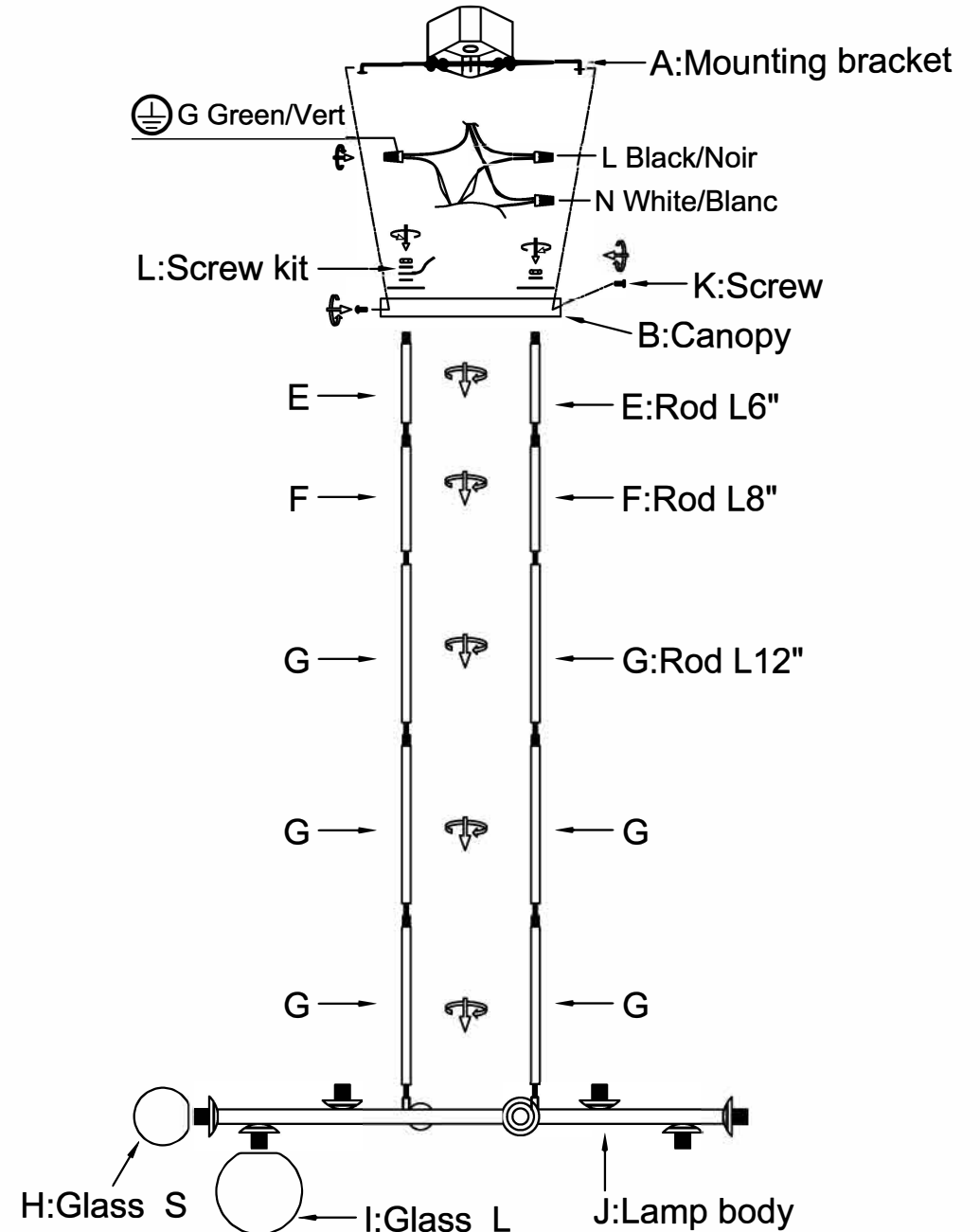
Do not remove or replace parts that is provided with the fixture.

Place the wall switch in the "OFF" position of the room you are installing the fixture.

Shut "OFF" the electricity at main fuse box.

1

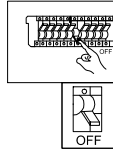
# Fixture Diagram



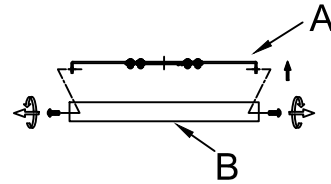
2

# Instructions

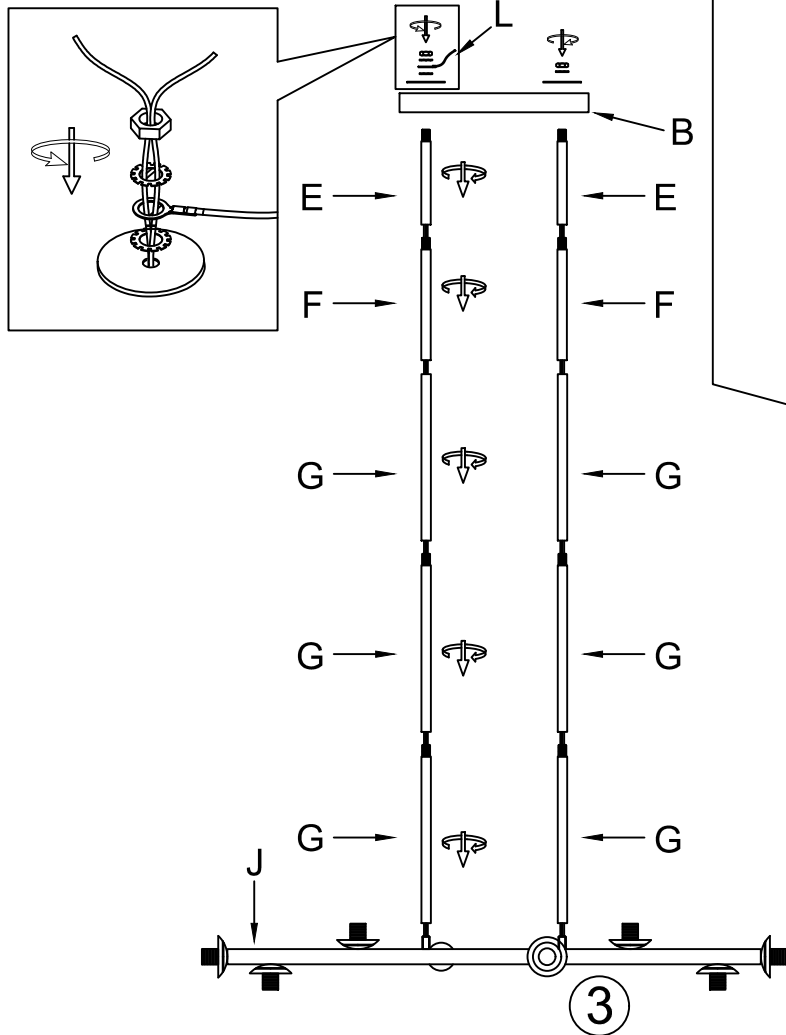
Step 1. Turn power off.



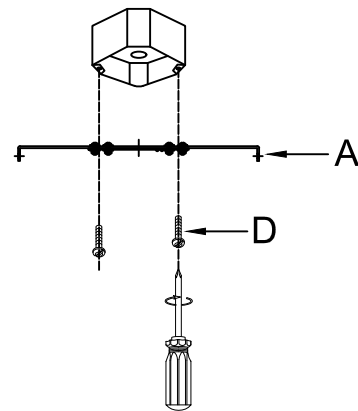
Step 2. Move out the A.



Step 3. Assemble J,G,F,E,B,L. ( Attention: if wires difficult through rods, please off rod's nipple to pass it one by one.)

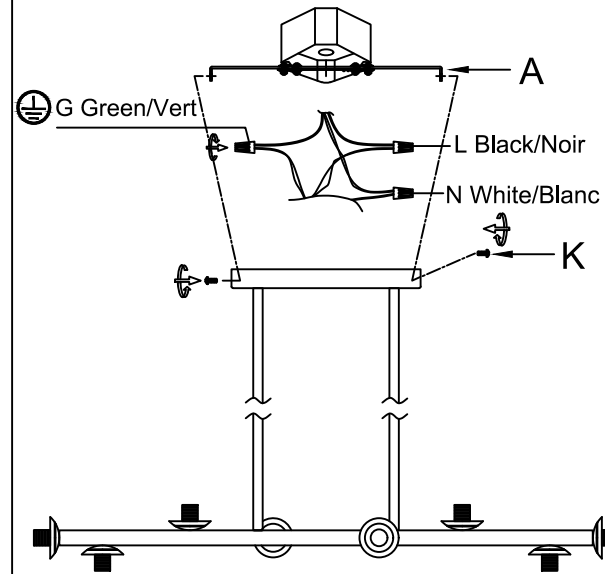


Step 4. Fix the A, universal crossbar to ceiling(junction box).

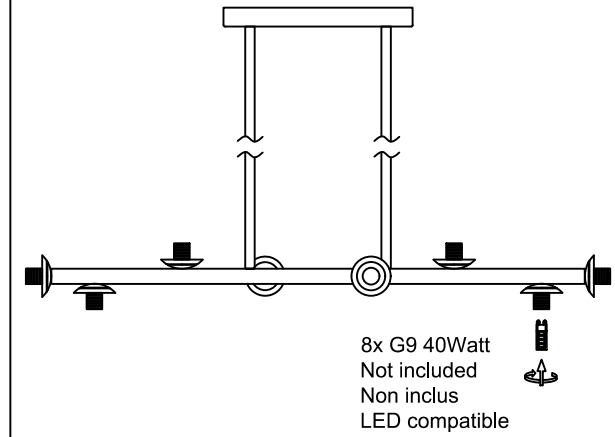


Step 5.

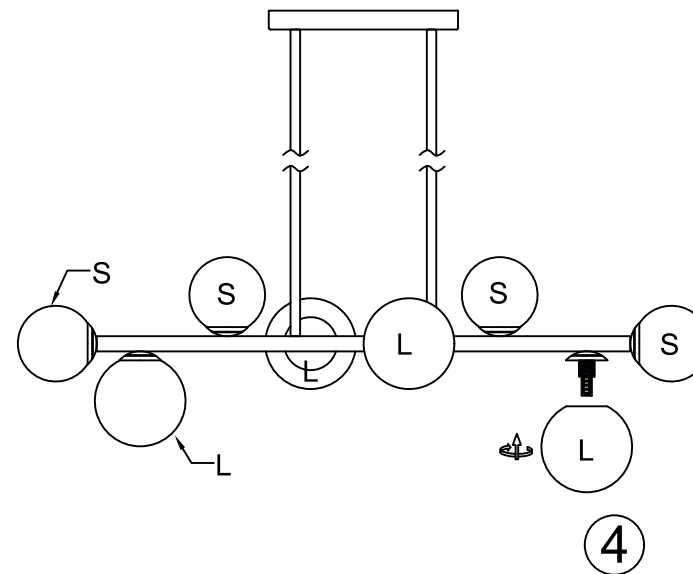
Black wire from ceiling(junction box) attaches to "L" wire from the fixture.  
White wire from ceiling(junction box) attaches to "N" wire from the fixture.  
"E" wire from the fixture is attached to the mounting bracket and an additional "E" wire from the mounting bracket must be secured to the junction box.  
Lock the lamp body to the hanging plate with the K screw.



Step 6. fix bulb (not included).



Step 7. Assemble the glass ball according to the following drawing.



Step 8. Turn Power ON  
Turn electricity "ON" at main fuse box.

