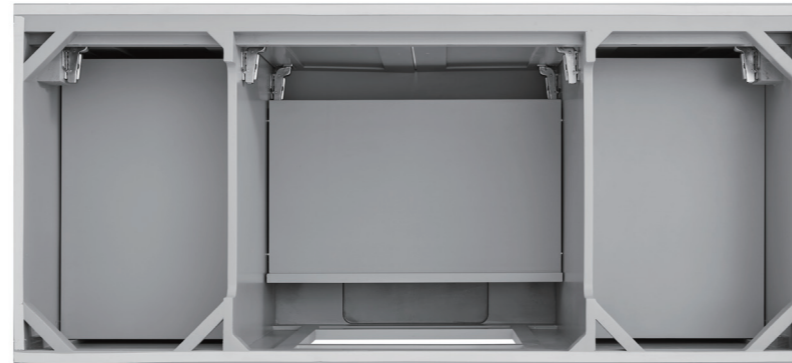
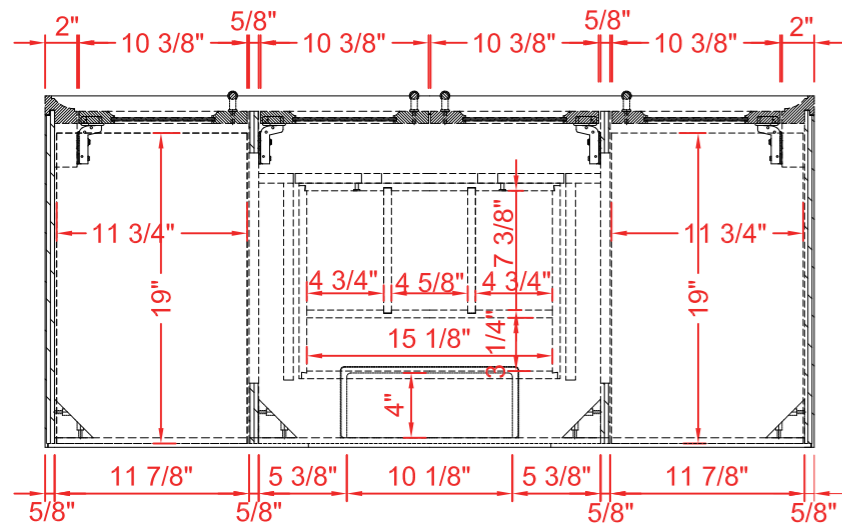


DIMENSIONS GUIDE

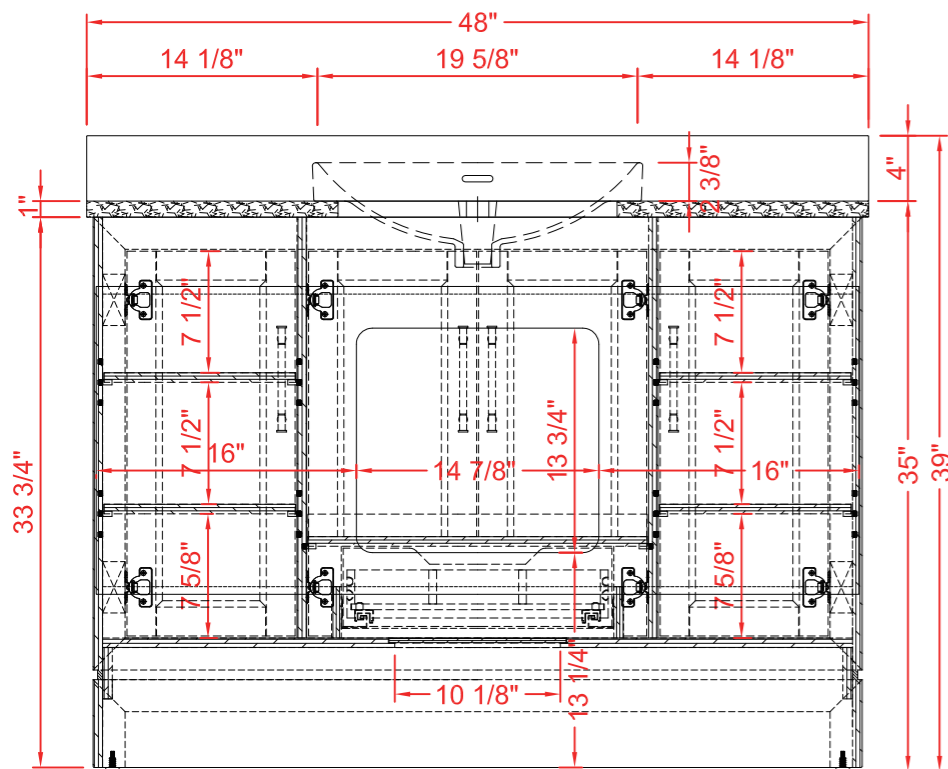
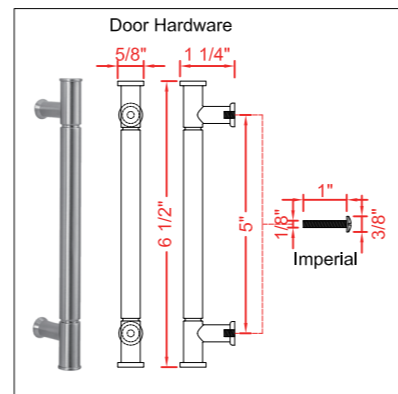
MODEL NUMBER:1580VB-48-201-242-926-SR

SEMI-RECESSED SINK

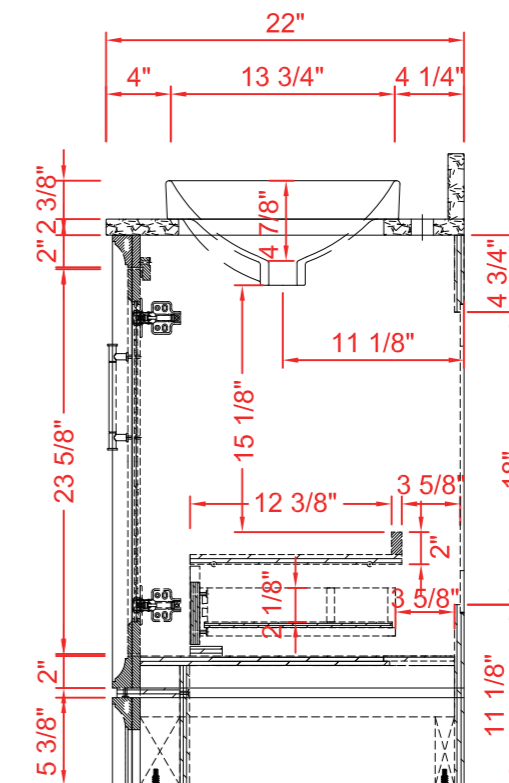
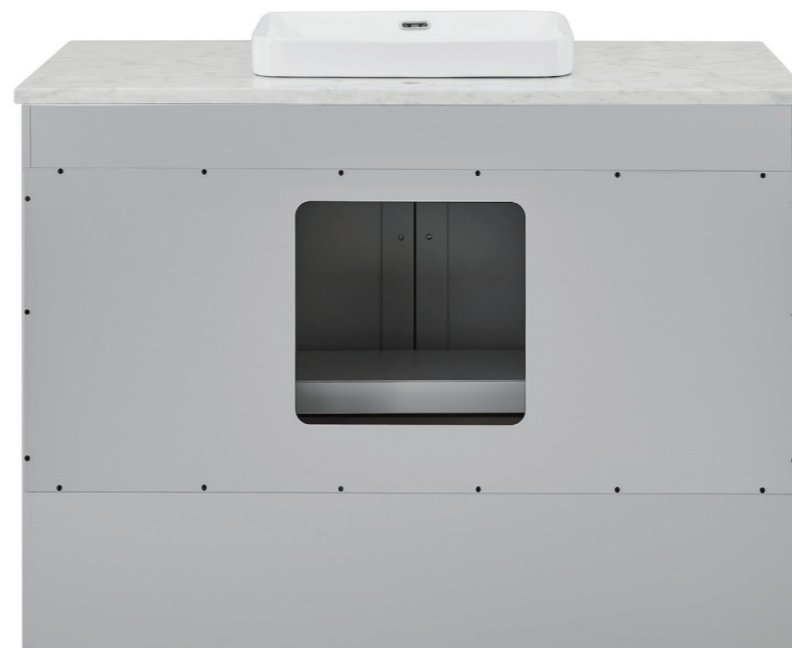


TOP VIEW

Product Net weight (W/O Top):117lbs.
 Product packed Gross weight (W/O Top):165lbs.
 Packed product Dimensions:
 50.5in. W x 24.75in. D x 39.5in. H



FRONT VIEW

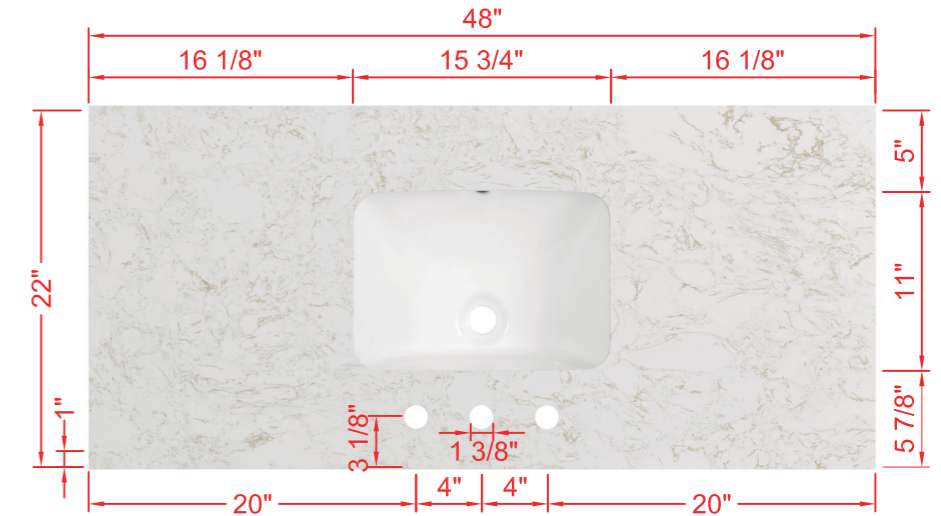
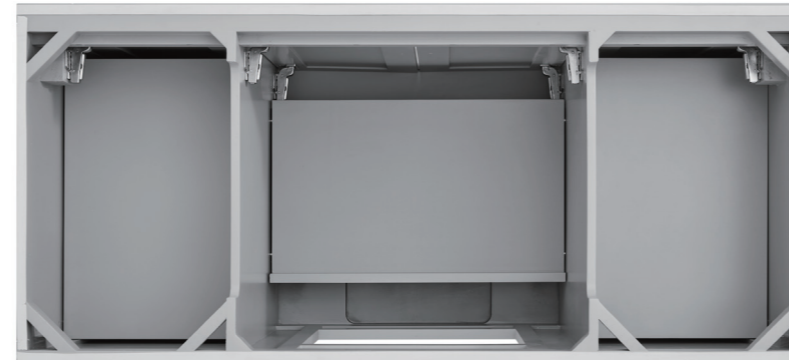
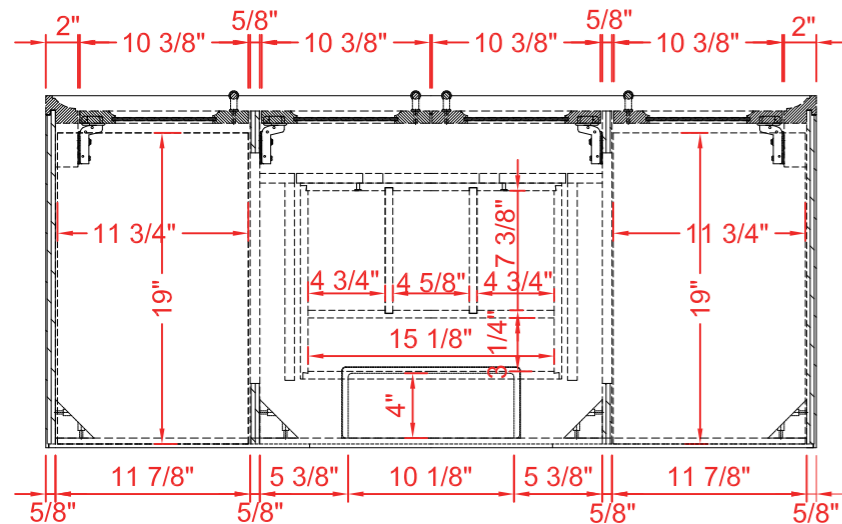


SIDE VIEW

DIMENSIONS GUIDE

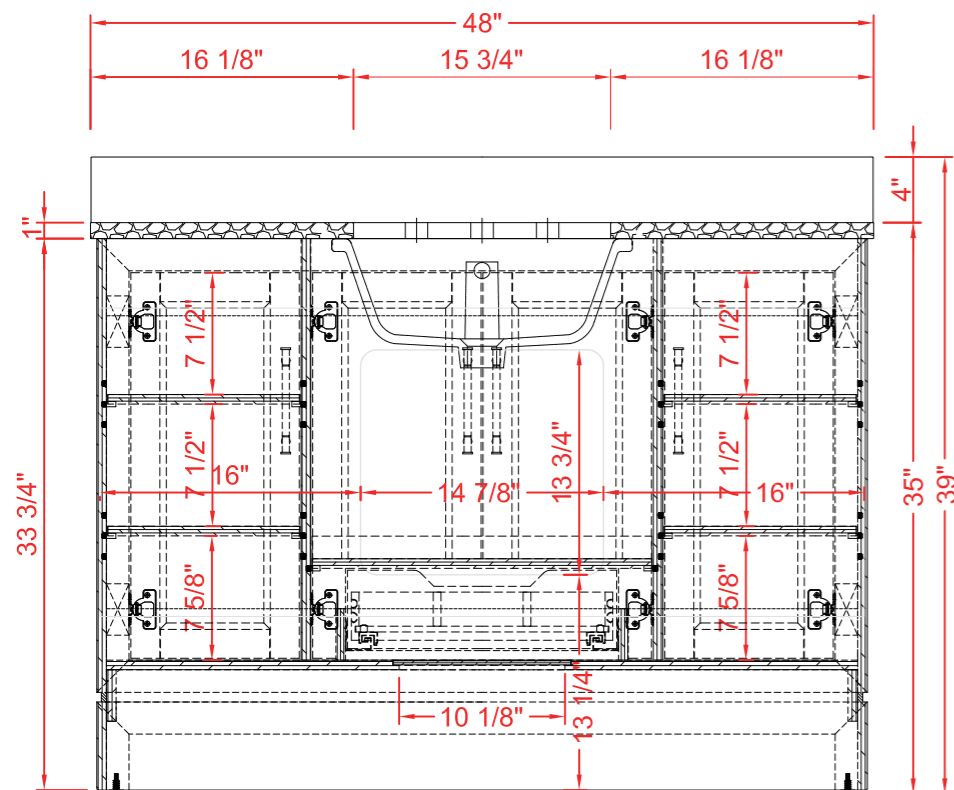
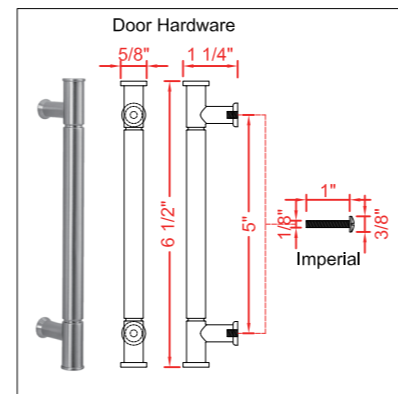
MODEL NUMBER:1580VB-48-201-242-926-UM

UNDERMOUNT SINK

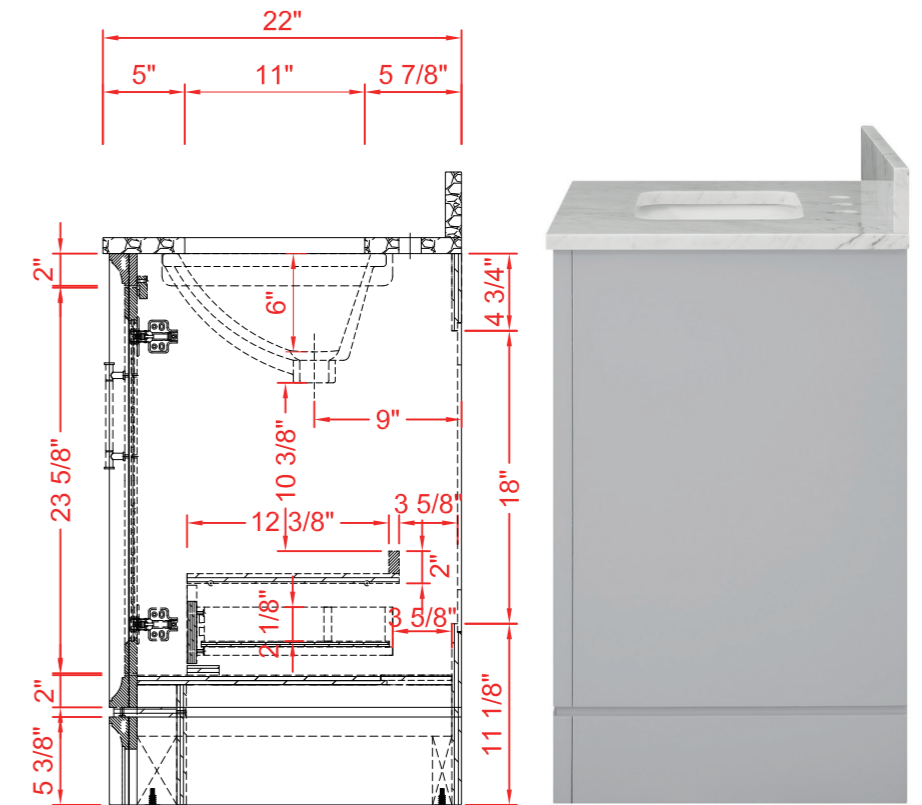


TOP VIEW

Product Net weight (W/O Top):117lbs.
Product packed Gross weight (W/O Top):165lbs.
Packed product Dimensions:
50.5in. W x 24.75in. D x 39.5in. H



FRONT VIEW



SIDE VIEW