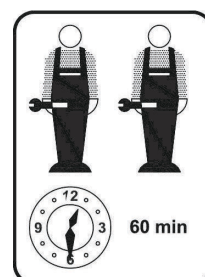
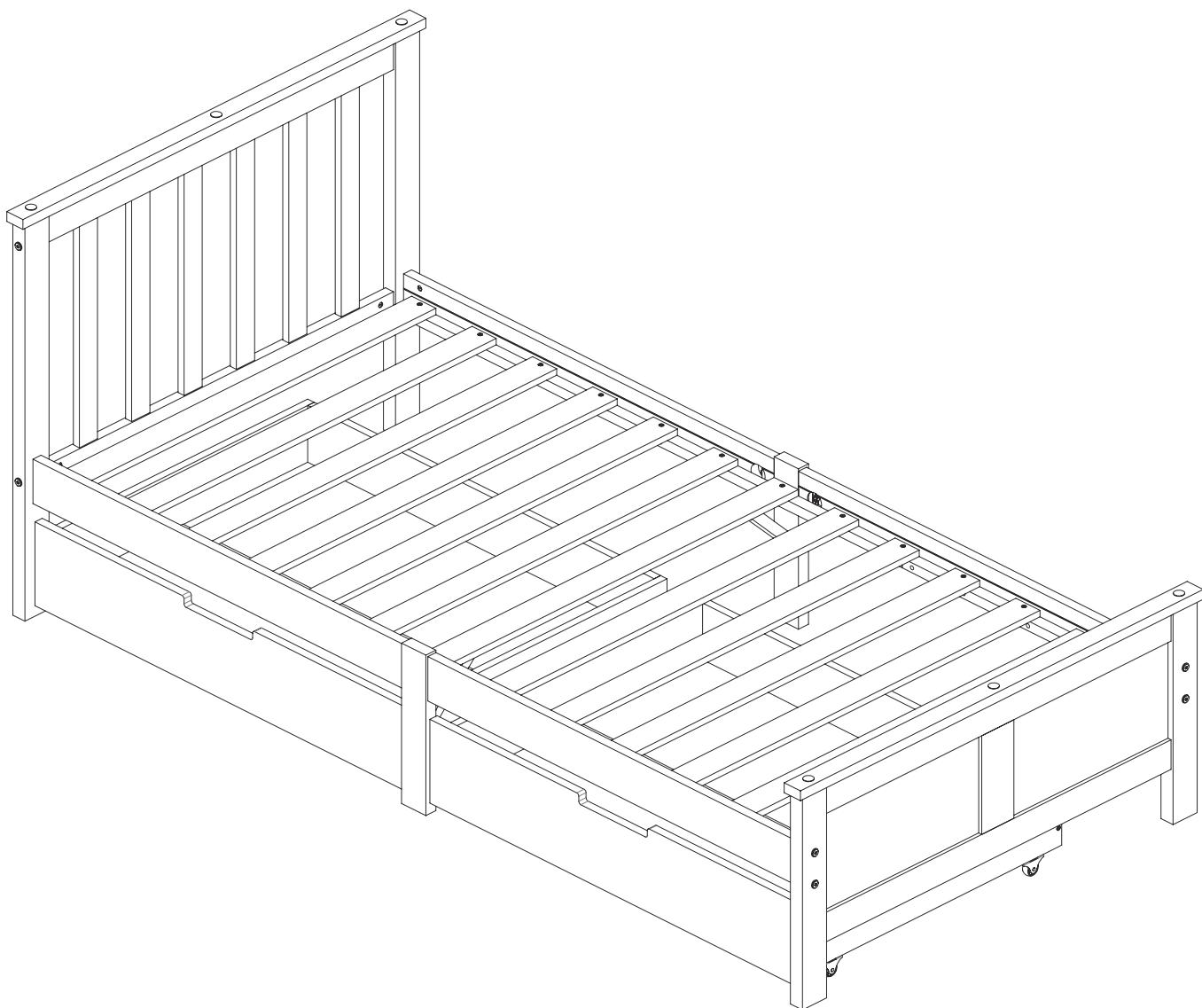
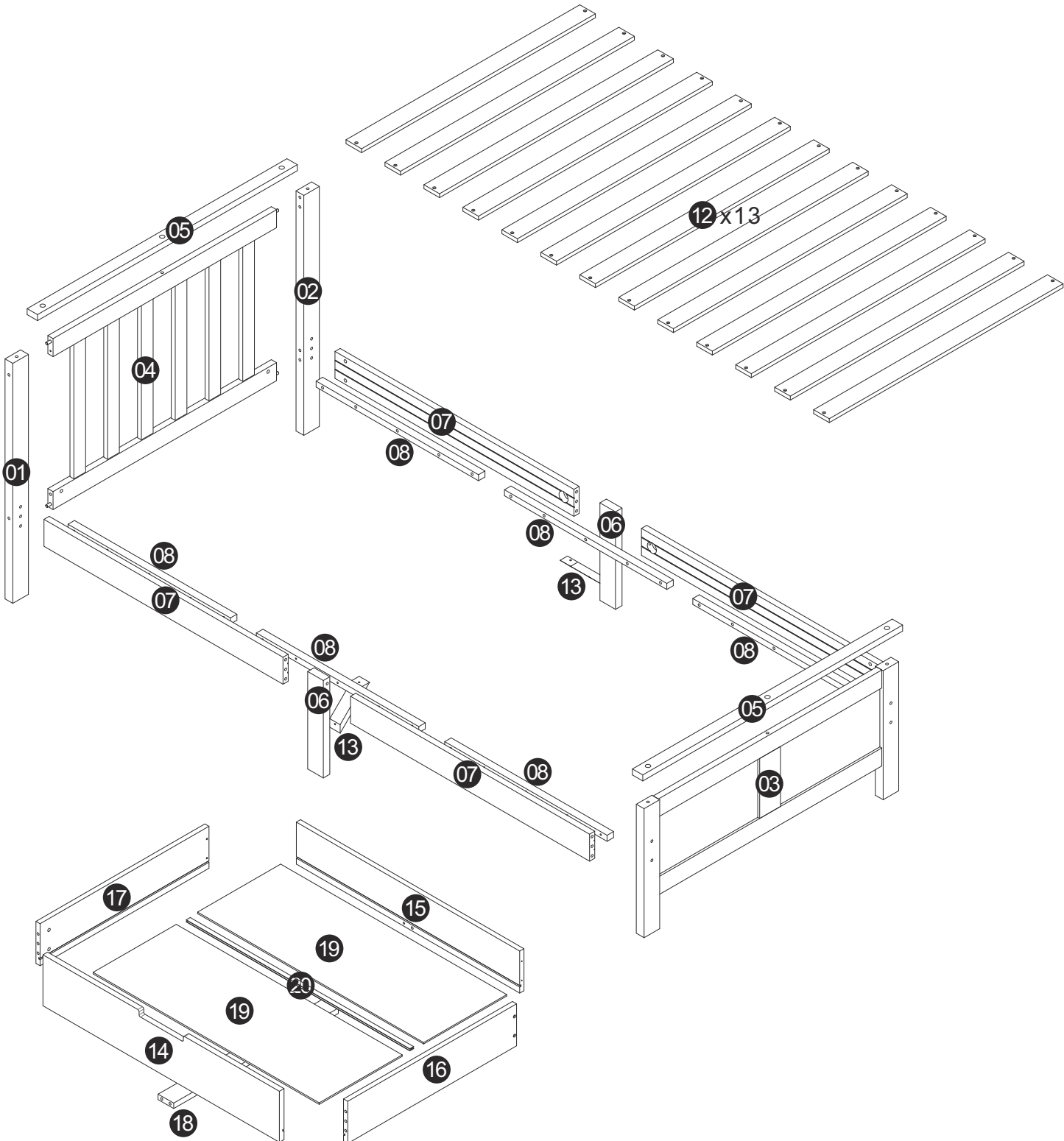
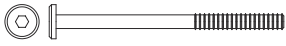
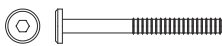

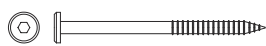




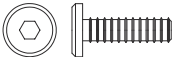





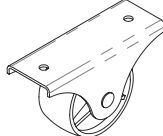




# WF197409WAA



# Exploded Views



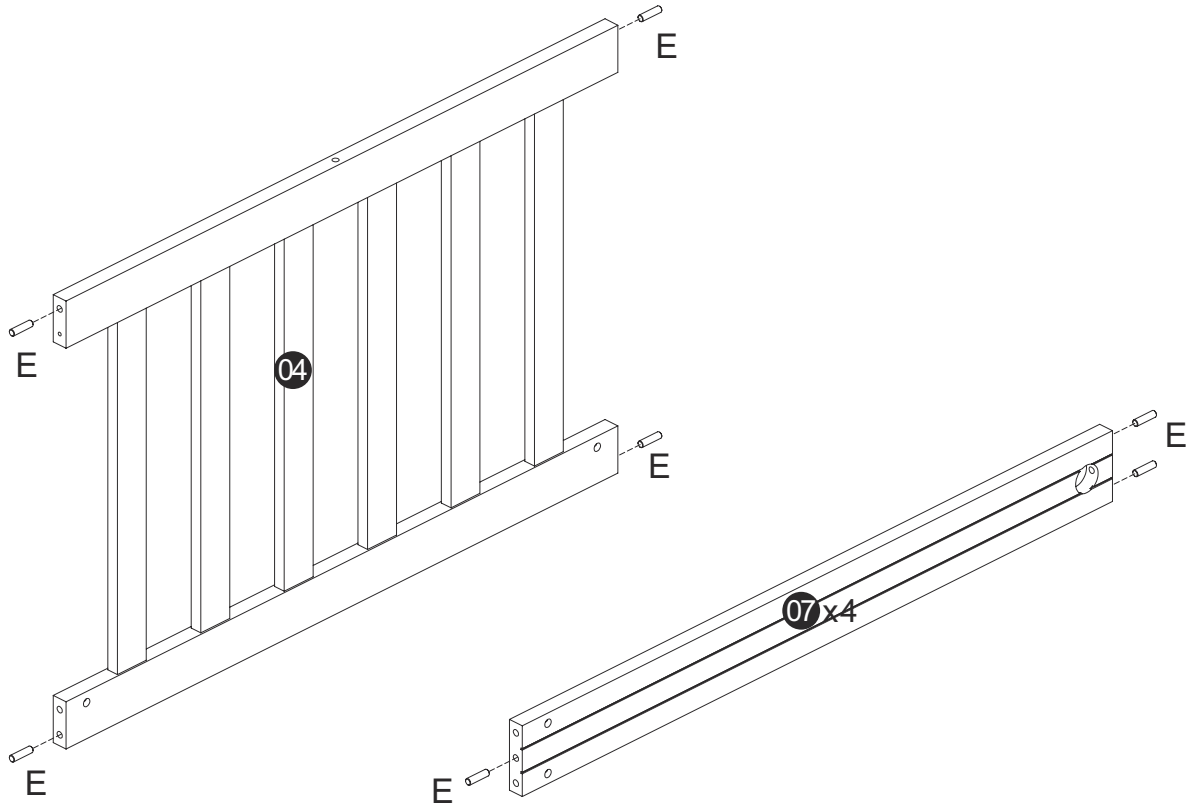
<p>A x2</p>  <p>M6x100</p>	<p>B x8</p>  <p>M6x80</p>	<p>C x10</p> 	<p>D x2</p>  <p>Φ6x100</p>
<p>E x24</p>  <p>Φ8x30</p>	<p>F x2</p>  <p>M6x140</p>	<p>G x4</p> 	<p>H x60</p>  <p>Φ4x30</p>
<p>J x6</p>  <p>M6x25</p>	<p>K x6</p> 	<p>N x1</p> 	<p>P x1</p> 
<p>Q x12</p> 	<p>R x12</p> 	<p>S x8</p> 	<p>T x16</p>  <p>Φ3x16</p>
<p>U x8</p>  <p>Φ4x40</p>			

# STEP 1

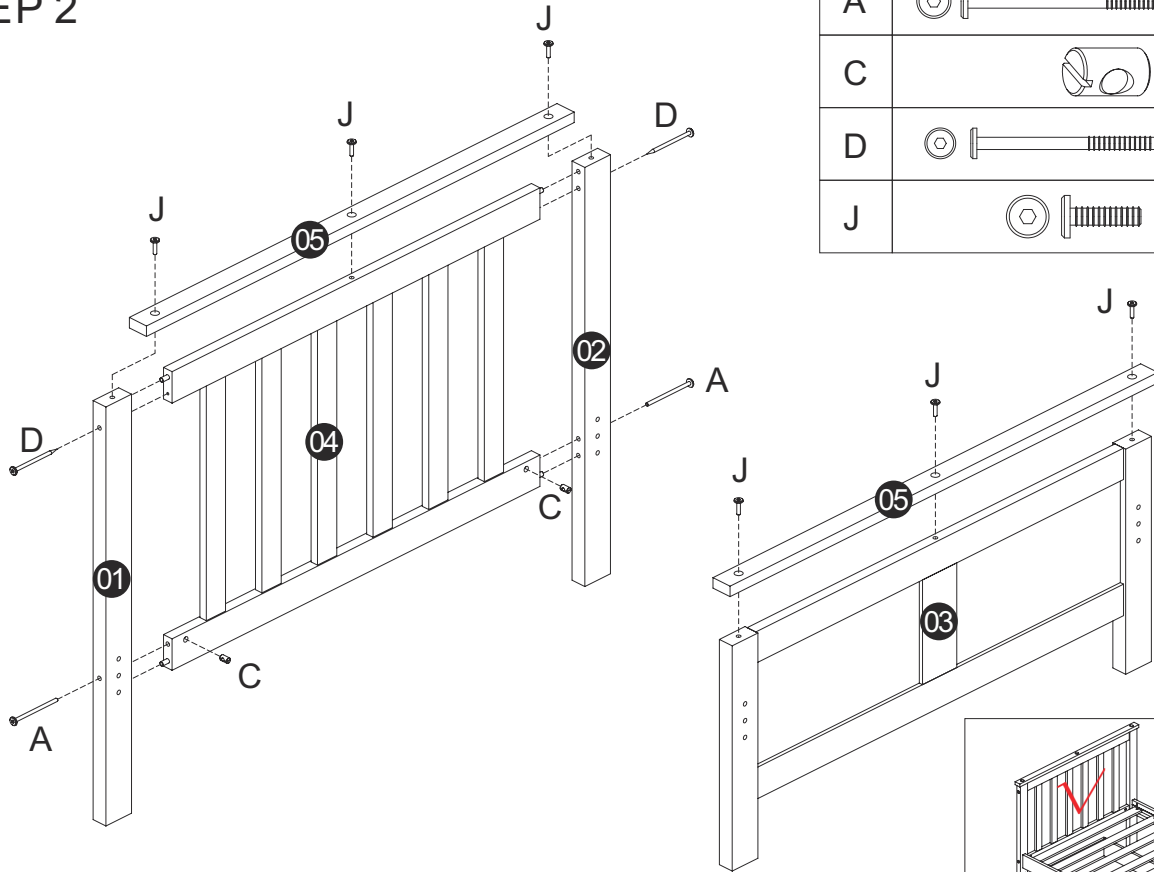
E





  $\Phi 8 \times 30$

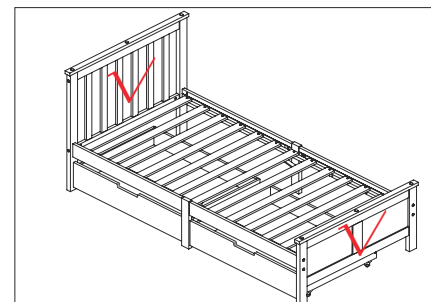
16






# STEP 2

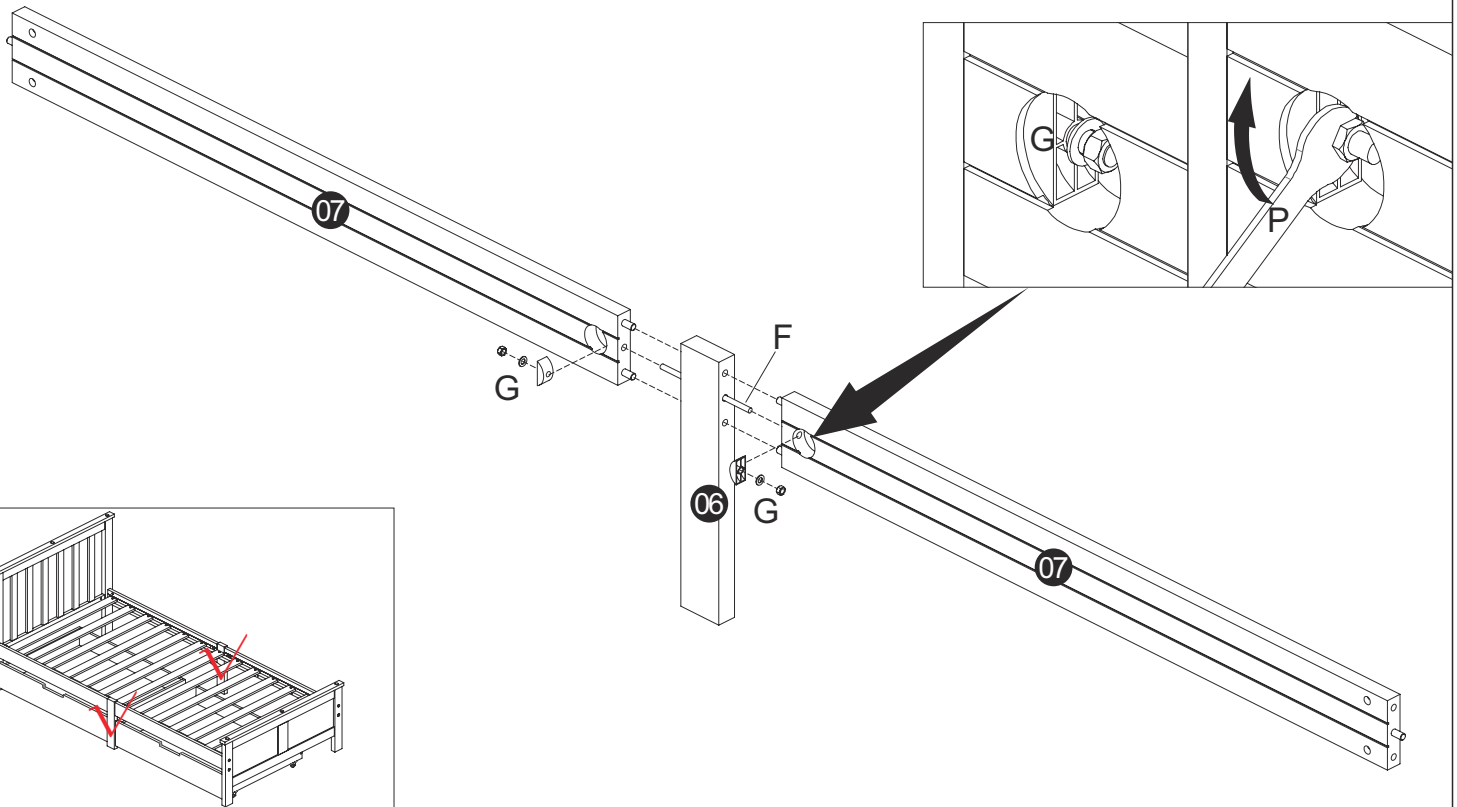


A	 $M6 \times 100$	2
C		2
D	 $\Phi 6 \times 100$	2
J	 $M6 \times 25$	6




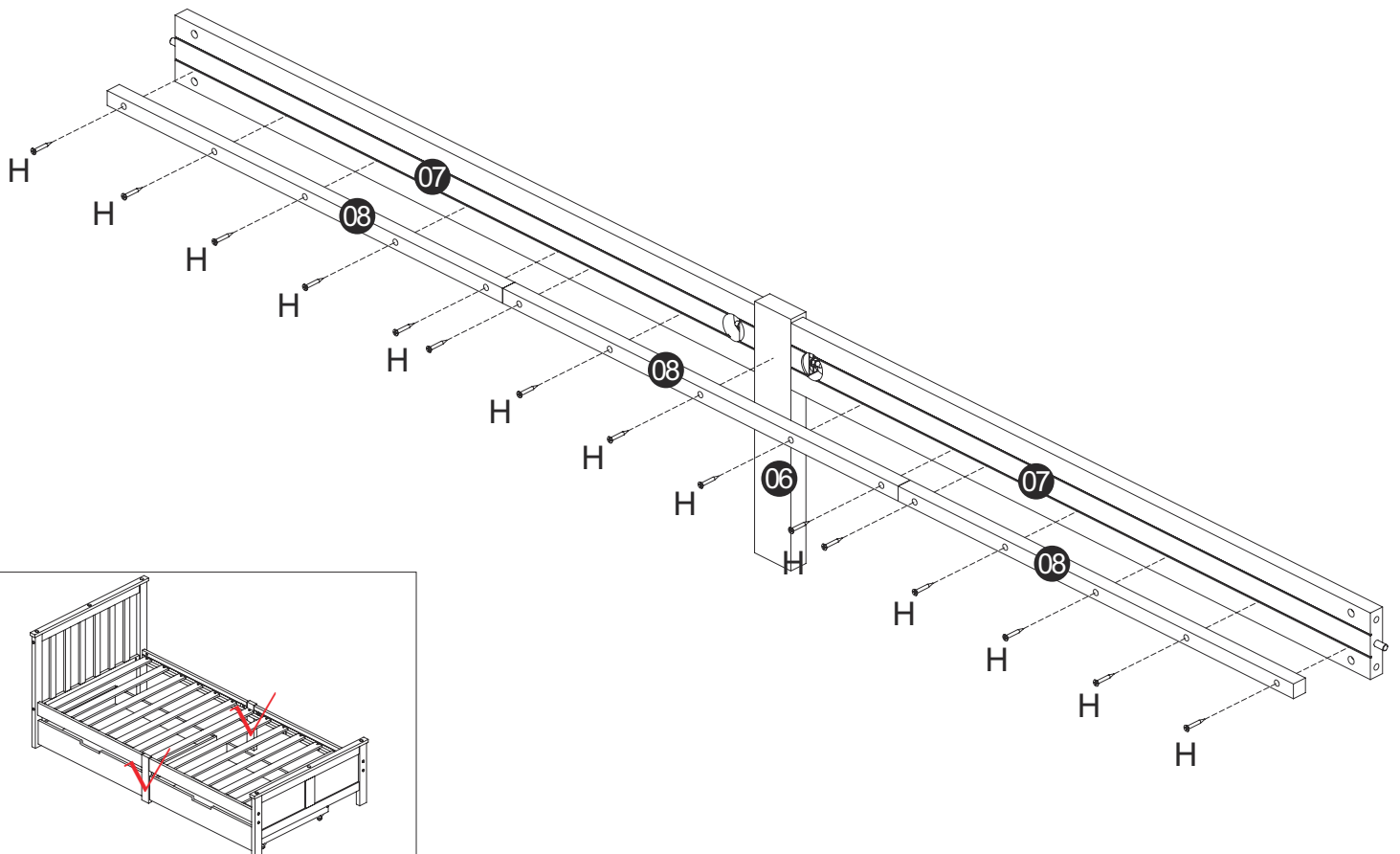
STEP 3 x2

F		2
G		4
P		1


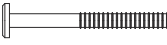



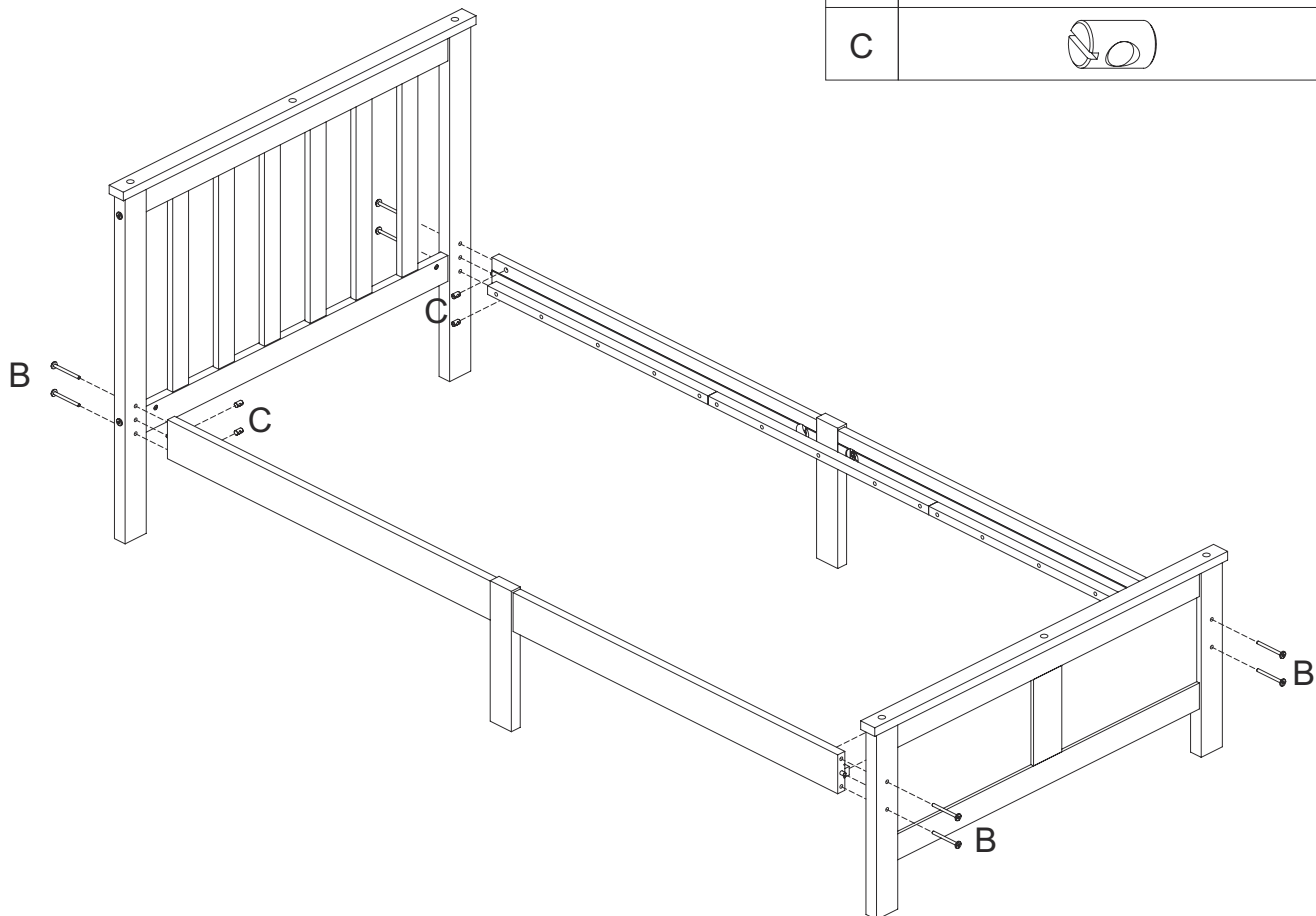
STEP 4 x2

H	 $\Phi 4 \times 30$	30
---	--	----





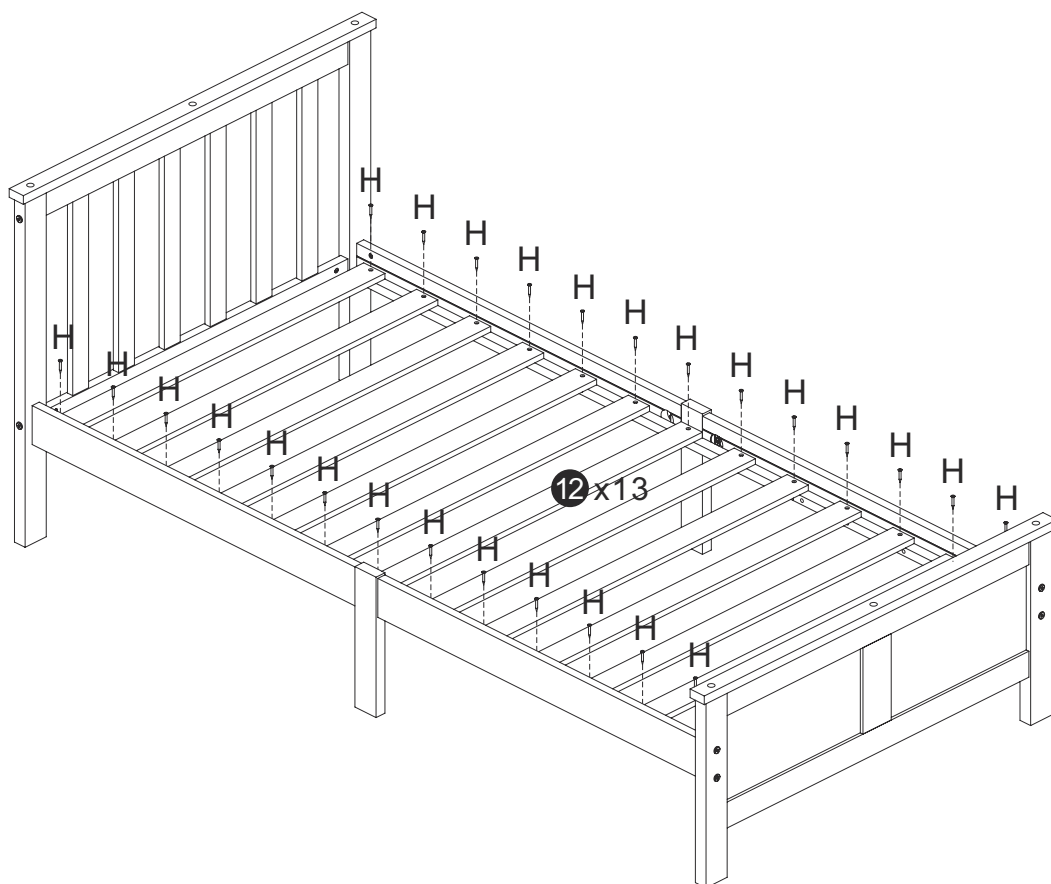
# STEP 5

B	  M6x80	8
C		8



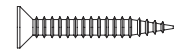
# STEP 6

H	  $\Phi 4 \times 30$	26
---	--	----



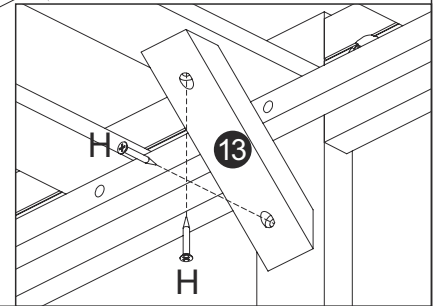
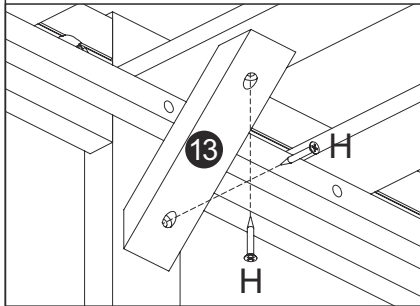
# STEP 7

H



Φ4x30

4

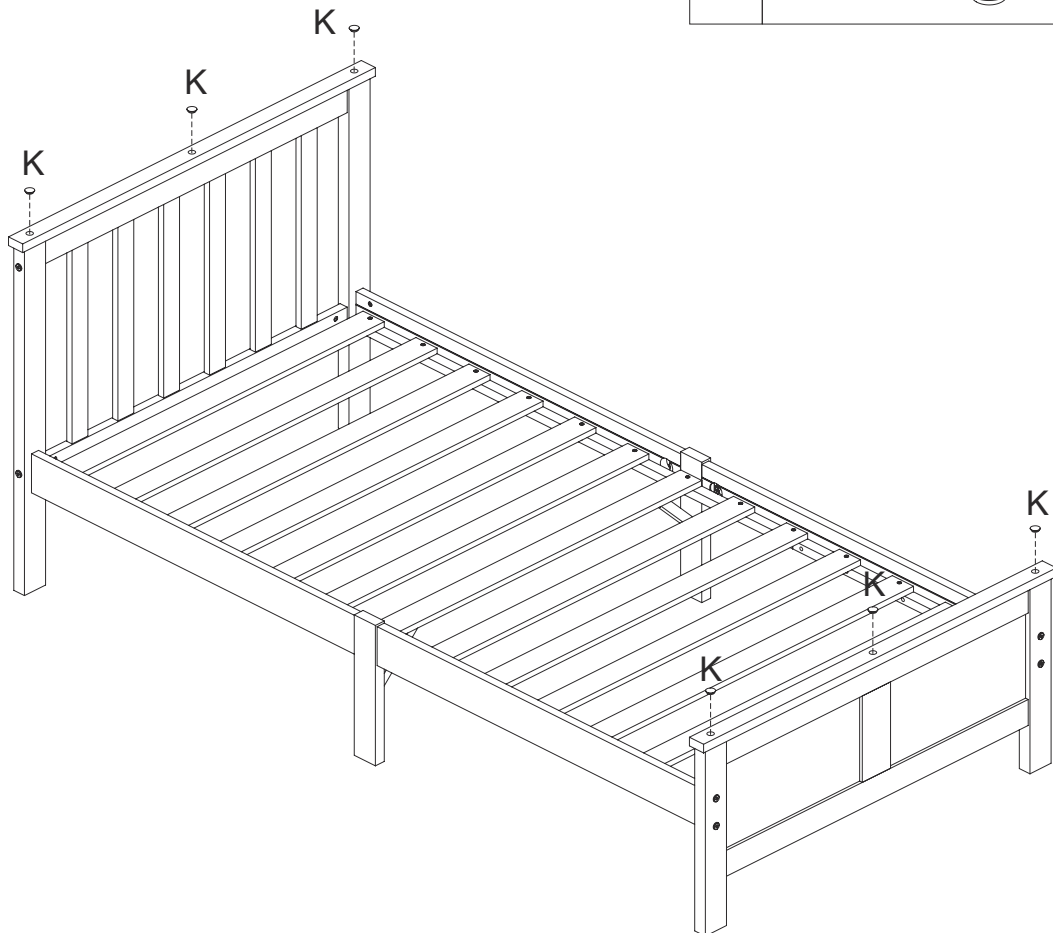


# STEP 8

K



6

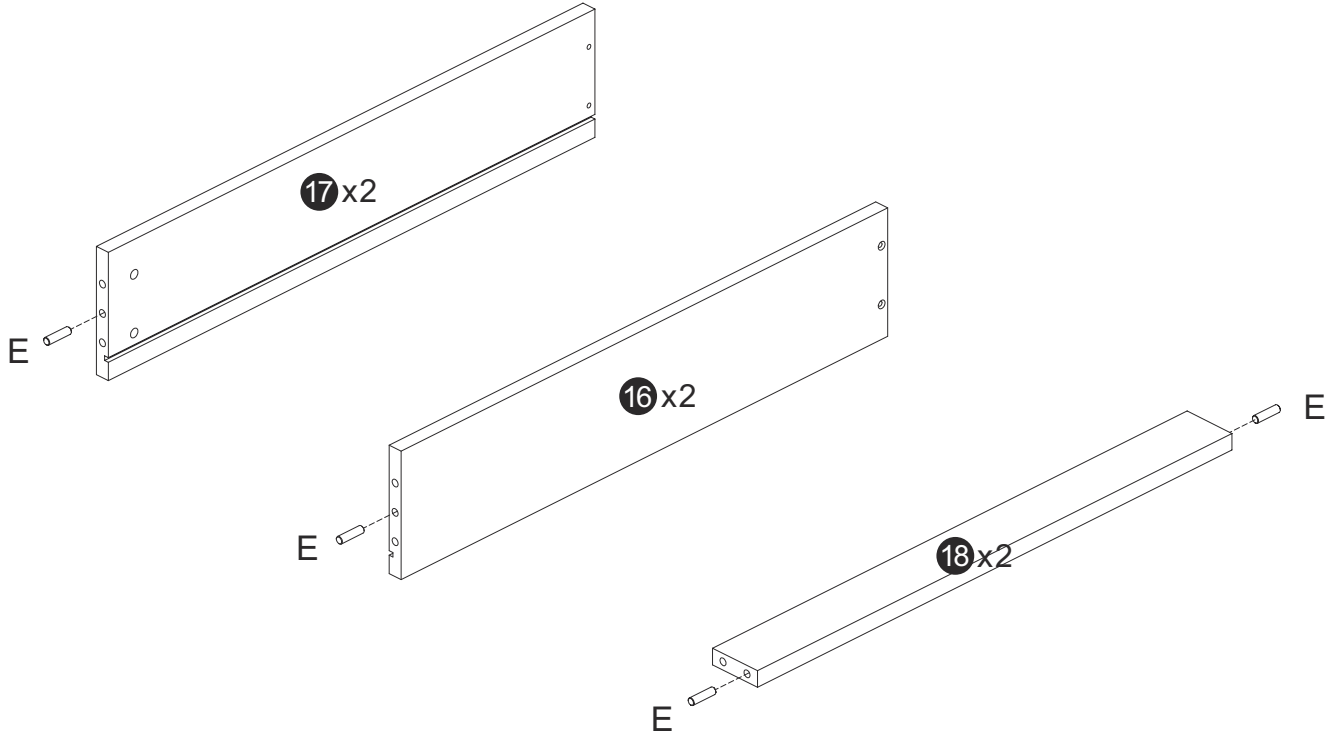


# STEP 9

E

  $\Phi 8 \times 30$

8

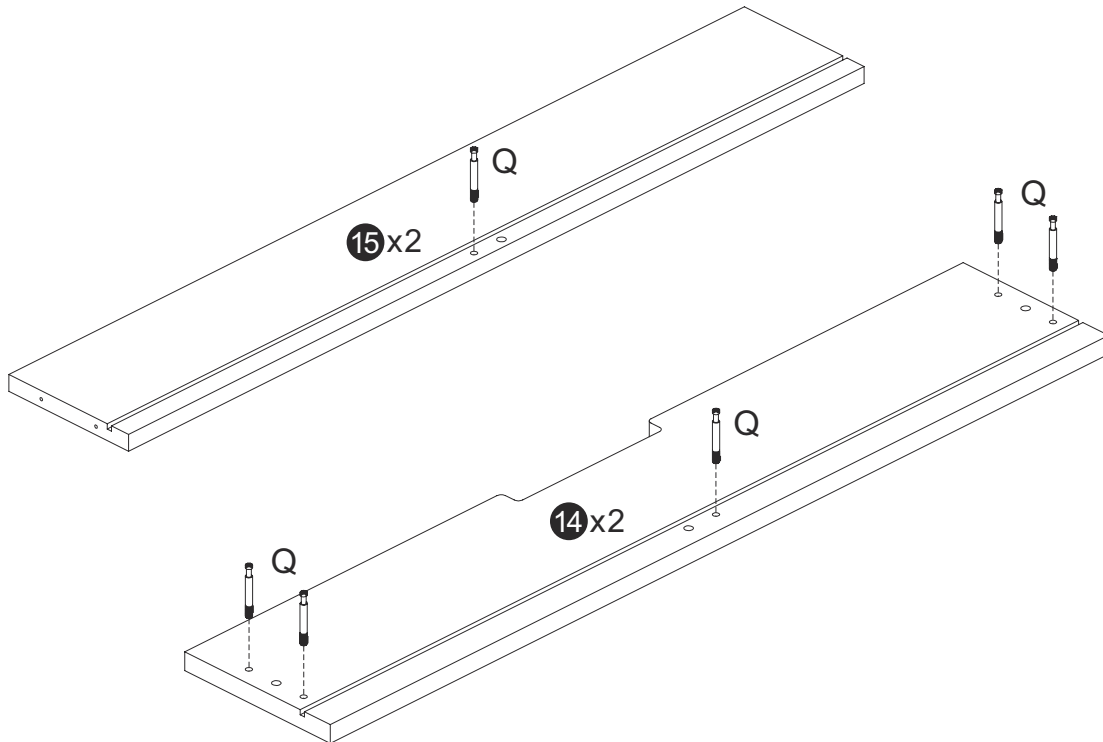


# STEP 10

Q



12



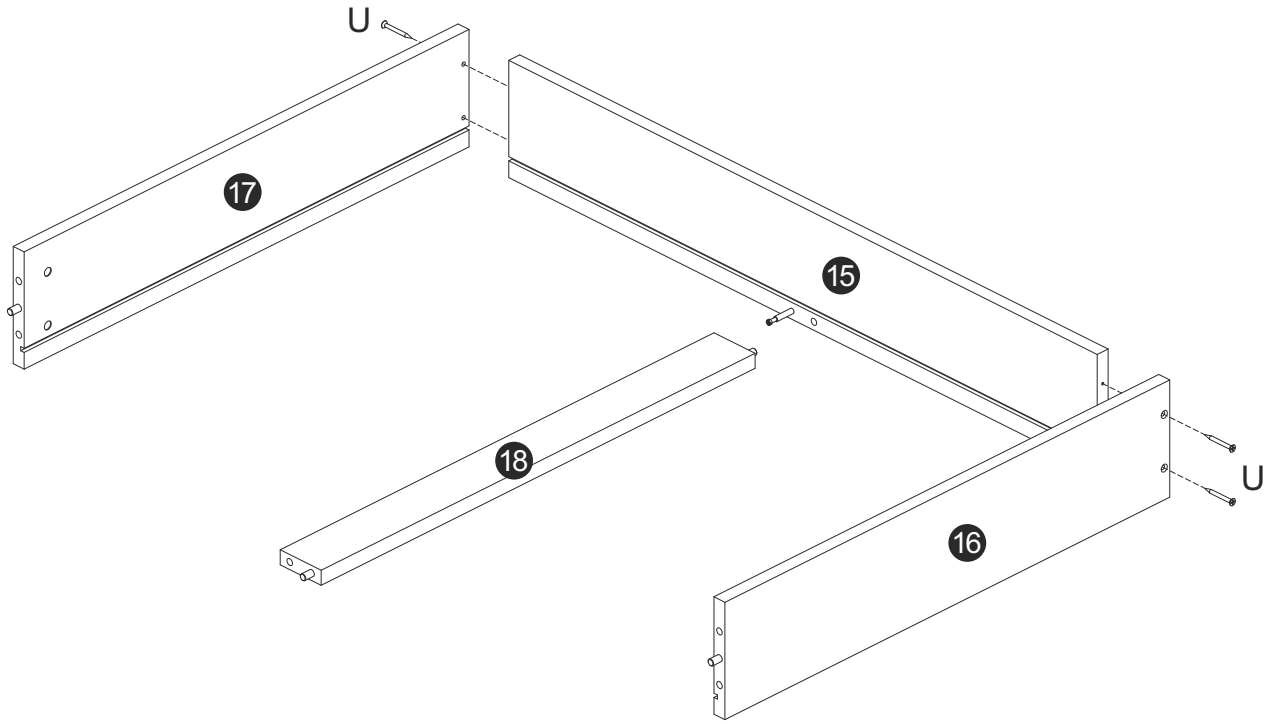
STEP 11 x2

U

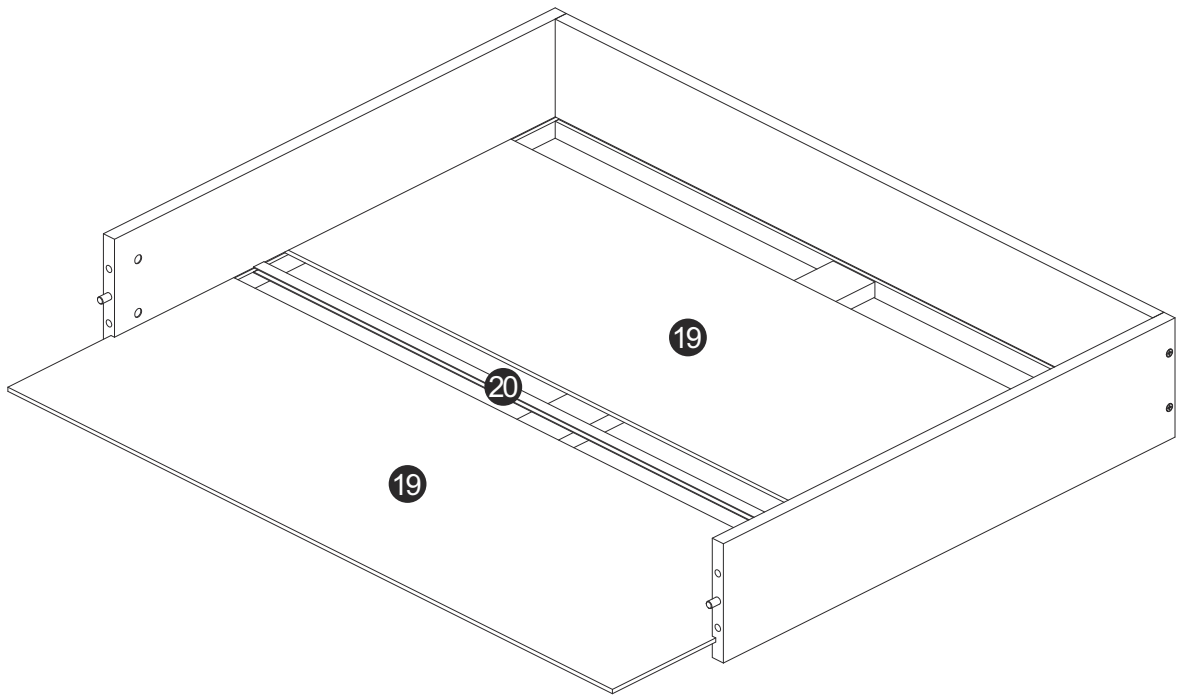


Φ4x40

8



STEP 12 x2

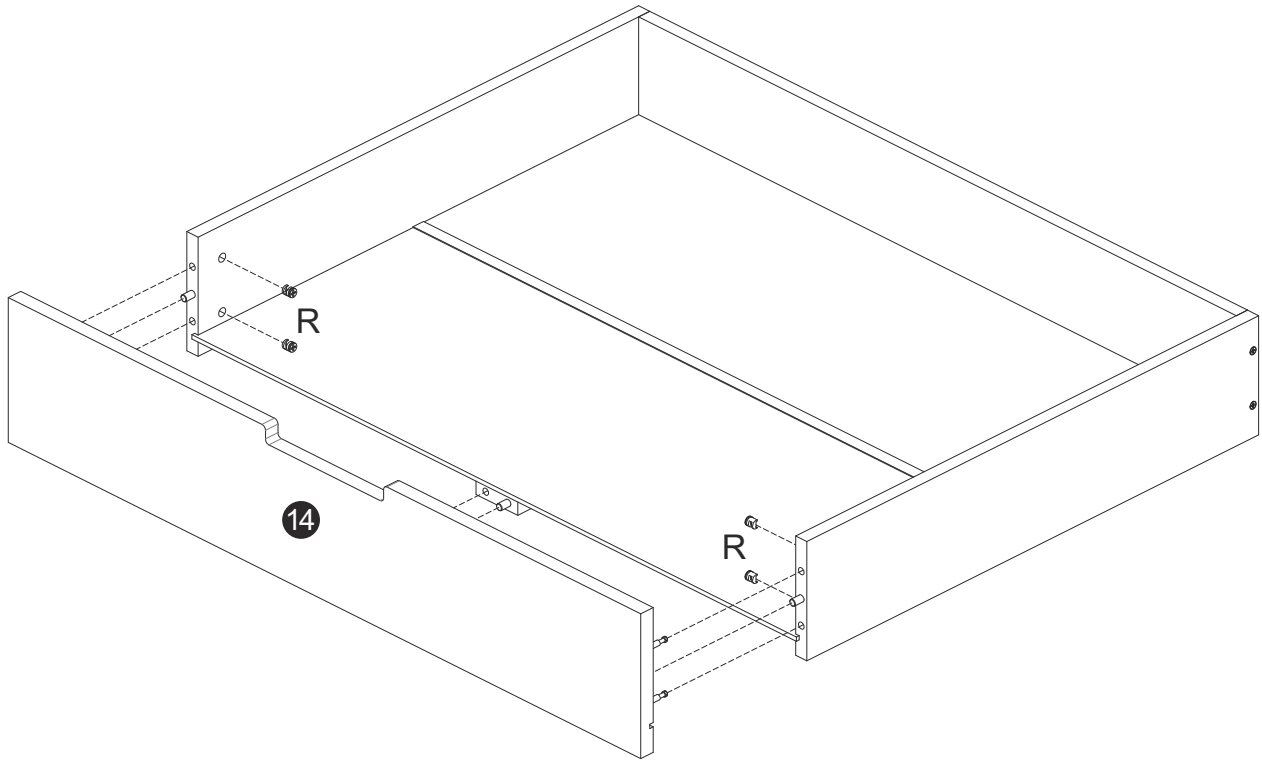


STEP 13 x2

R



8



STEP 14 x2

R



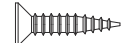
4

S



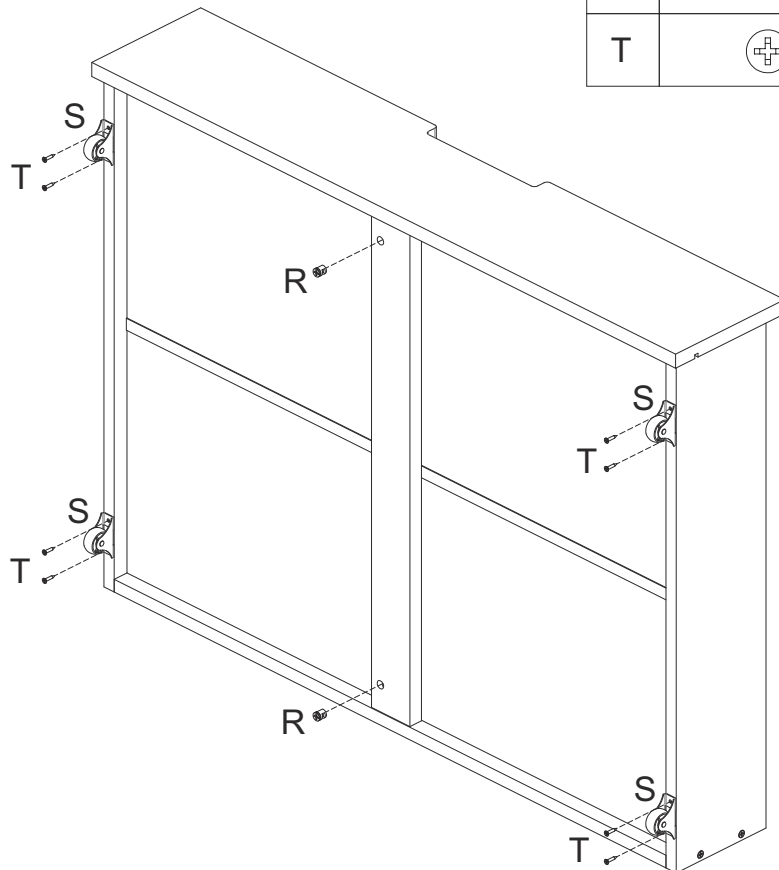
8

T



Φ3x16

16



STEP 15

