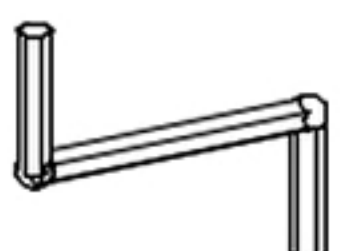
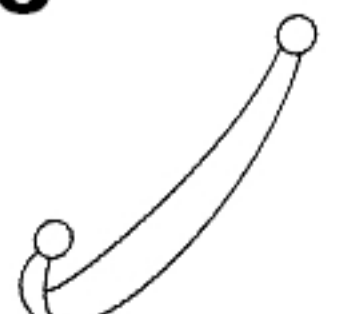




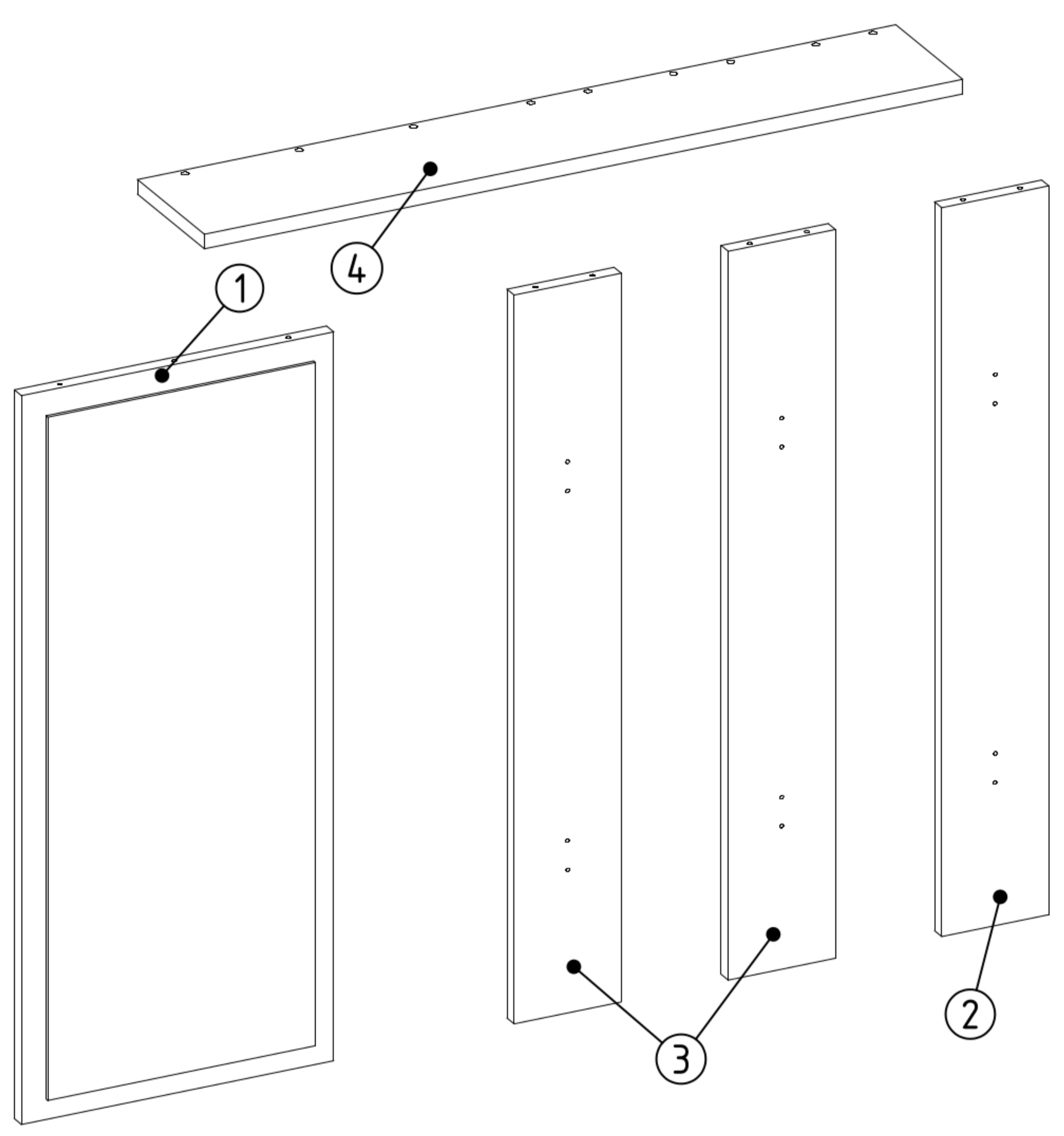



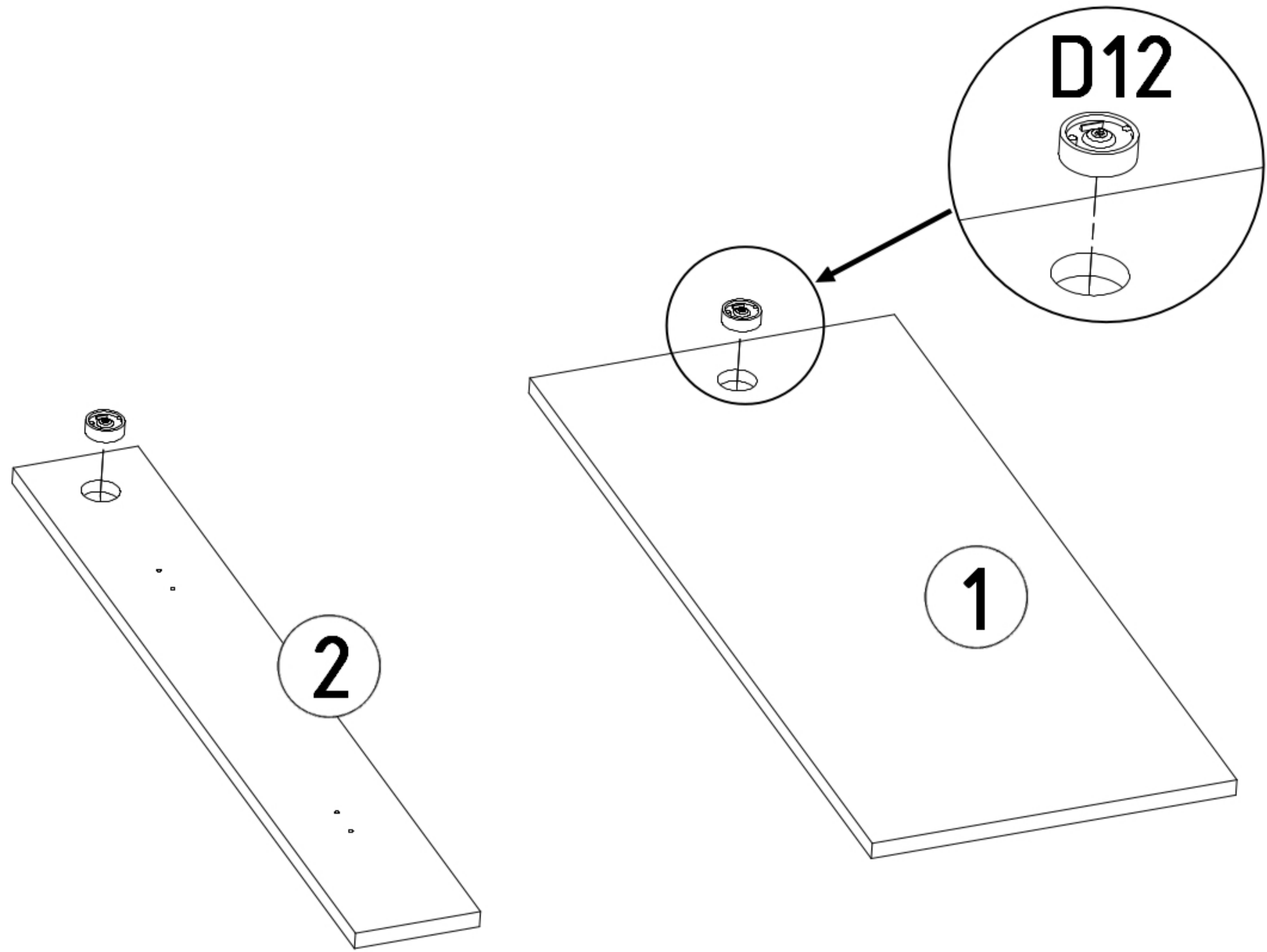
<b>K1</b>  <b>x 1</b>	<b>L6</b>  <b>x 3</b> L=114mm	<b>L5</b>  <b>x 3</b> L=72mm	<b>D12</b>  <b>x 2</b> $\varnothing$ 34 mm	<b>F3</b>  <b>x 9</b> 7x50 mm	<b>S4</b>  <b>x 12</b> 4x25 mm
---	--	---	---	--	---

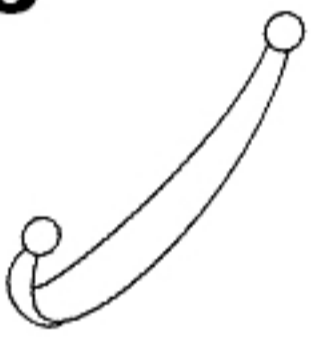


1

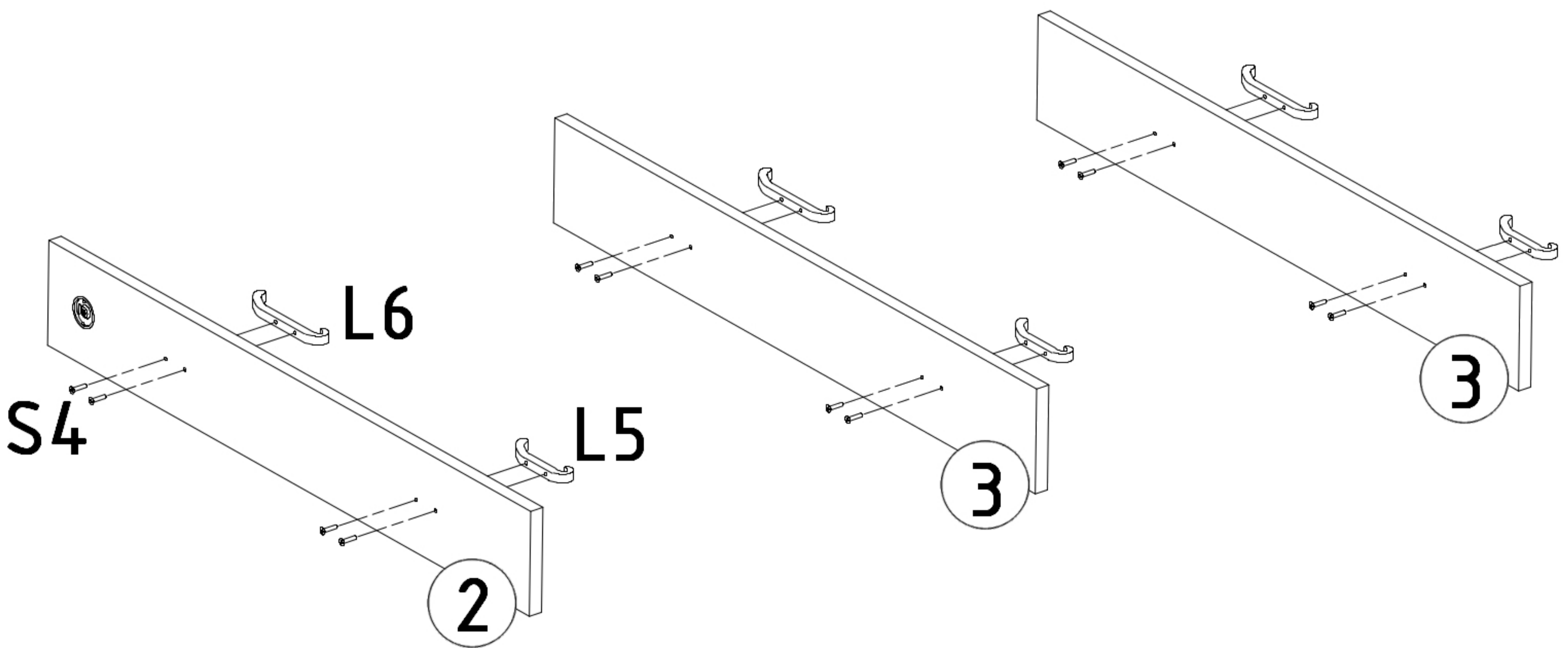


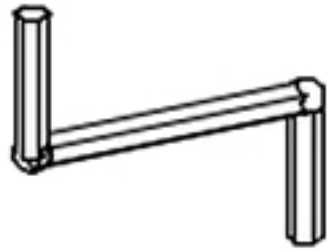

<b>1</b>	x	1
<b>2</b>	x	1
<b>3</b>	x	2
<b>4</b>	x	1

**D12**  
  
**x 2**



<b>L6</b>  <b>x 3</b>	<b>L5</b>  <b>x 3</b>	<b>S4</b>  <b>x 12</b>
---	--	---



<b>K1</b>  <b>x 1</b>	<b>F3</b>  <b>x 9</b>
---	--

