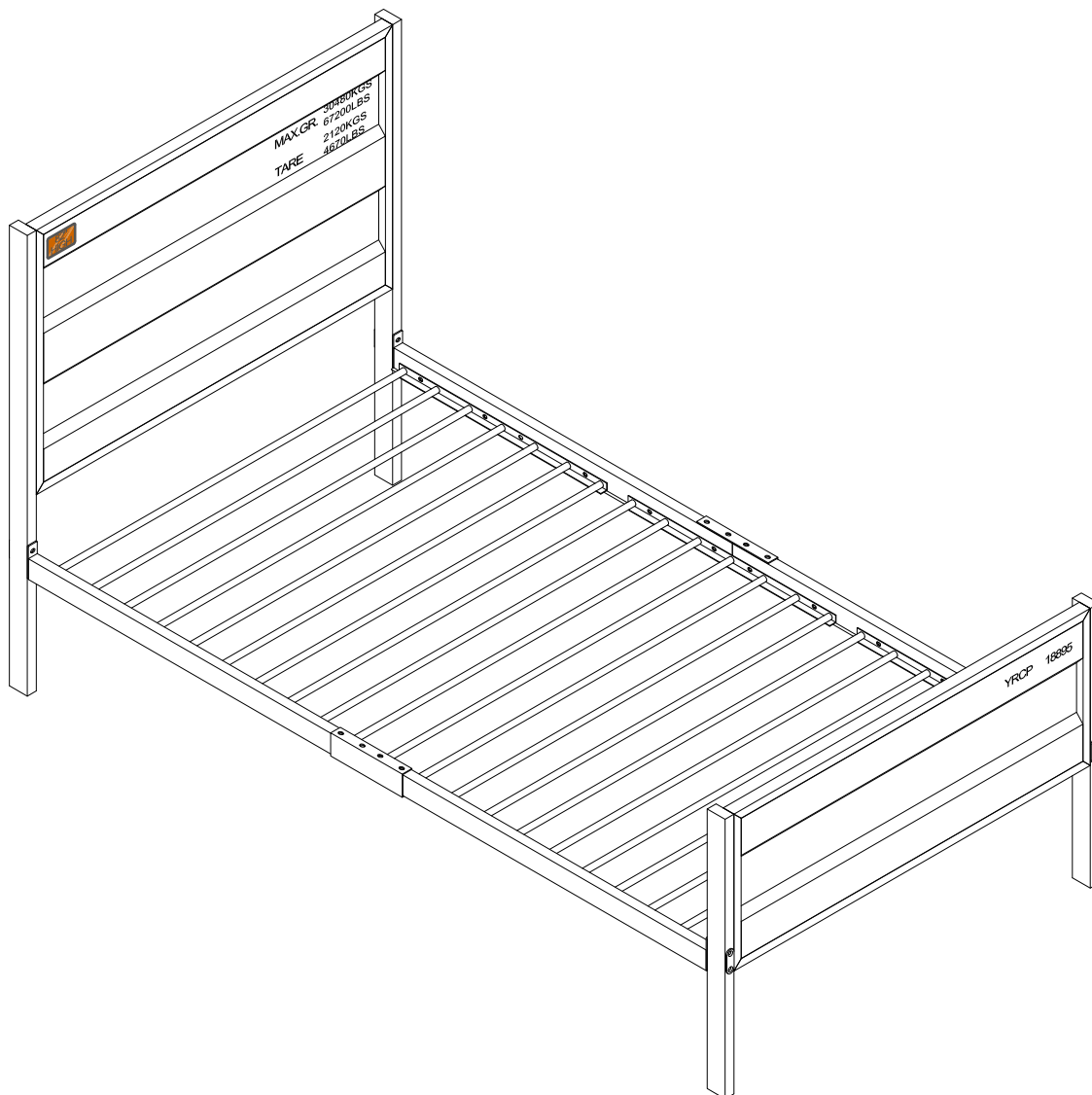
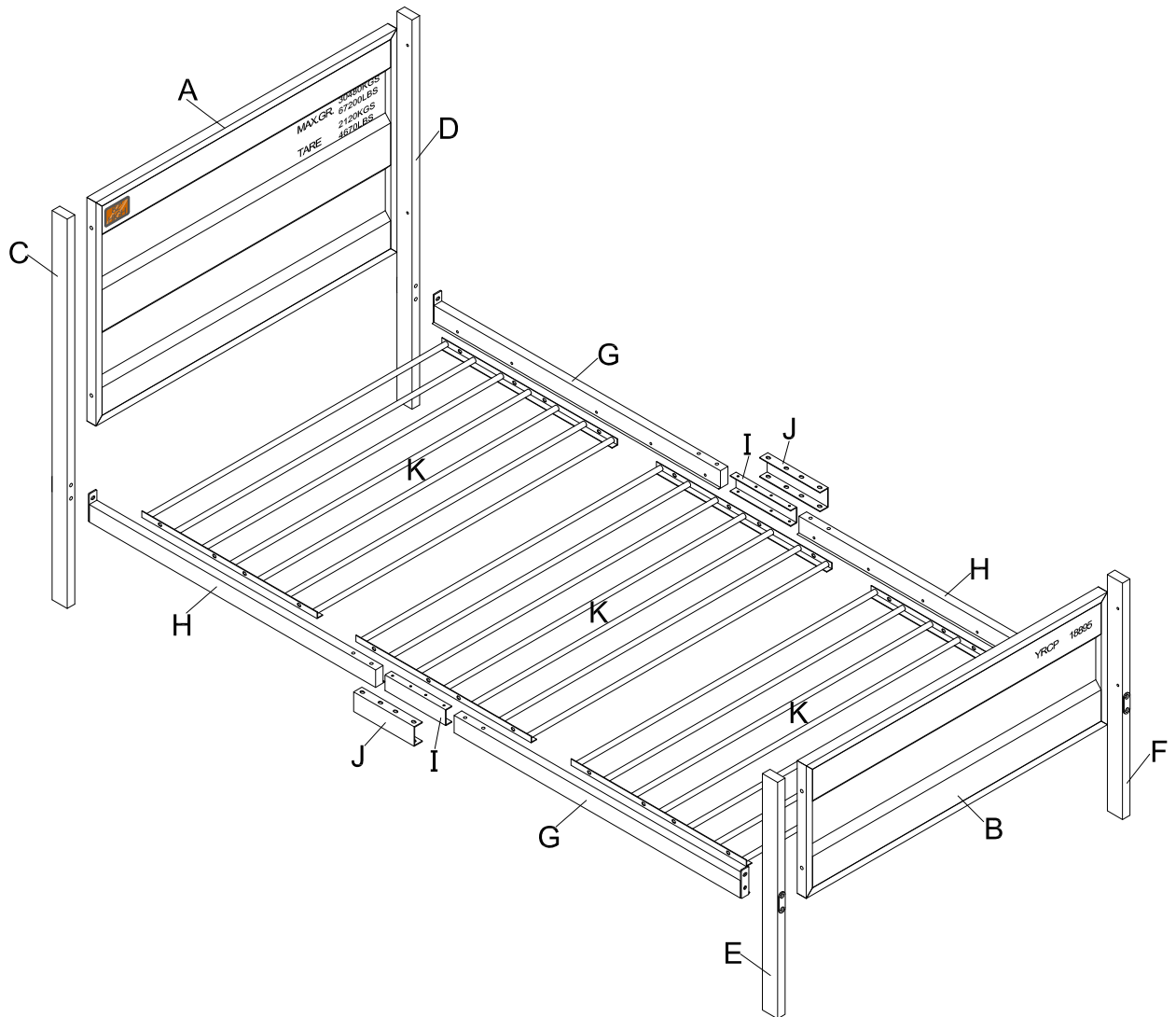


ASSEMBLY INSTRUCTIONS

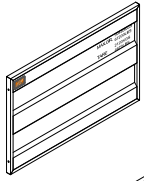
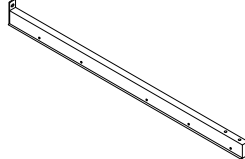
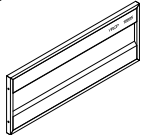
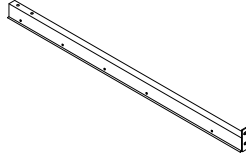

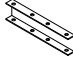

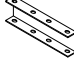

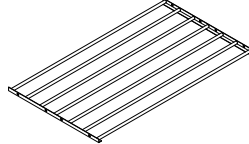



Do not tighten screws until completely assembled.

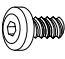
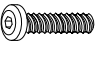
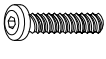

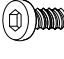
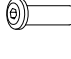


PARTS IDENTIFICATION

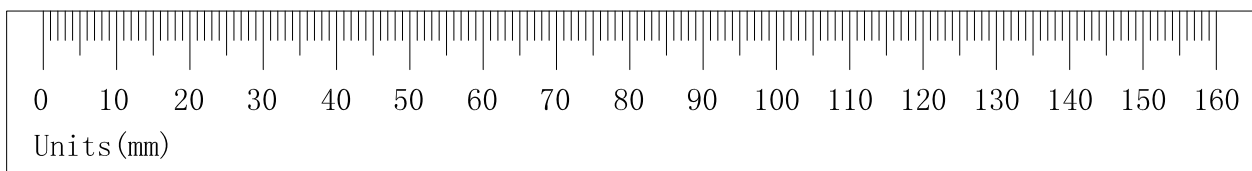


PARTS IDENTIFICATION

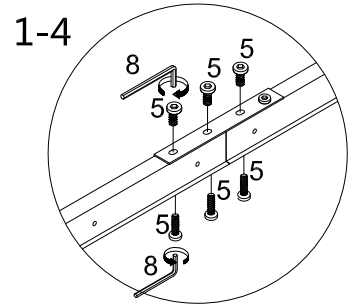
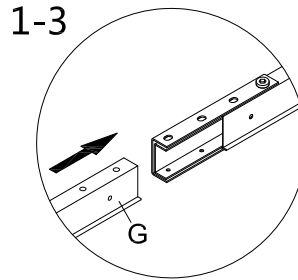
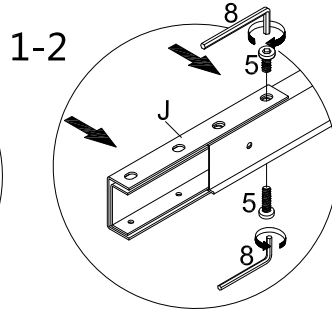
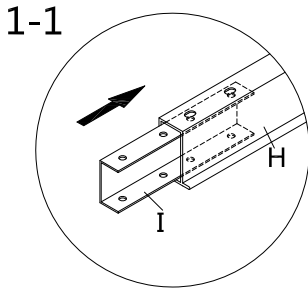
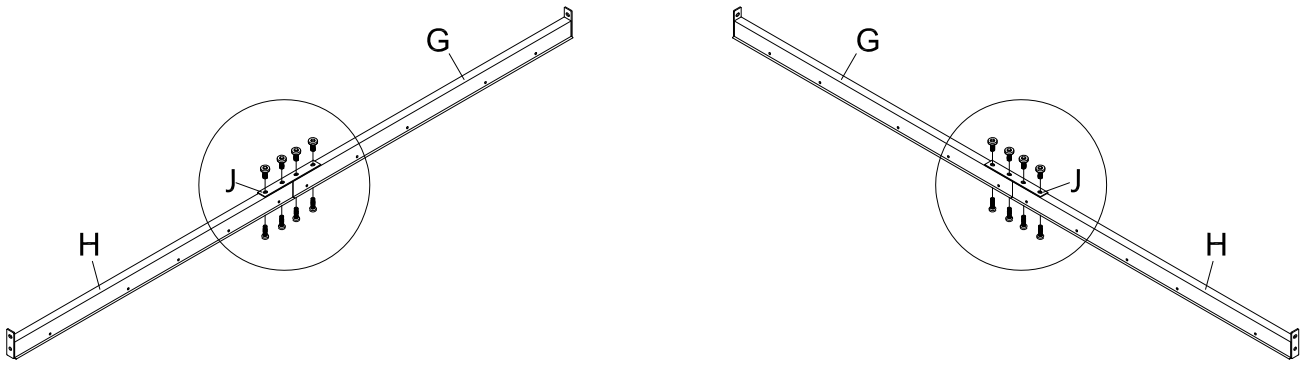
A		1pc		G		2pcs
B		1pc		H		2pcs
C		1pc		I		2pcs
D		1pc		J		2pcs
E		1pc		K		3pcs
F		1pc				

HARDWARE LIST

1  M6x15 20pcs	2  M6x30 8pcs	3  M6x40 4pcs
4  M6x75 4pcs	5  M8x15 16pcs	6  M6x27 4pcs
7  4x4 2pcs	8  5x5 1pc	

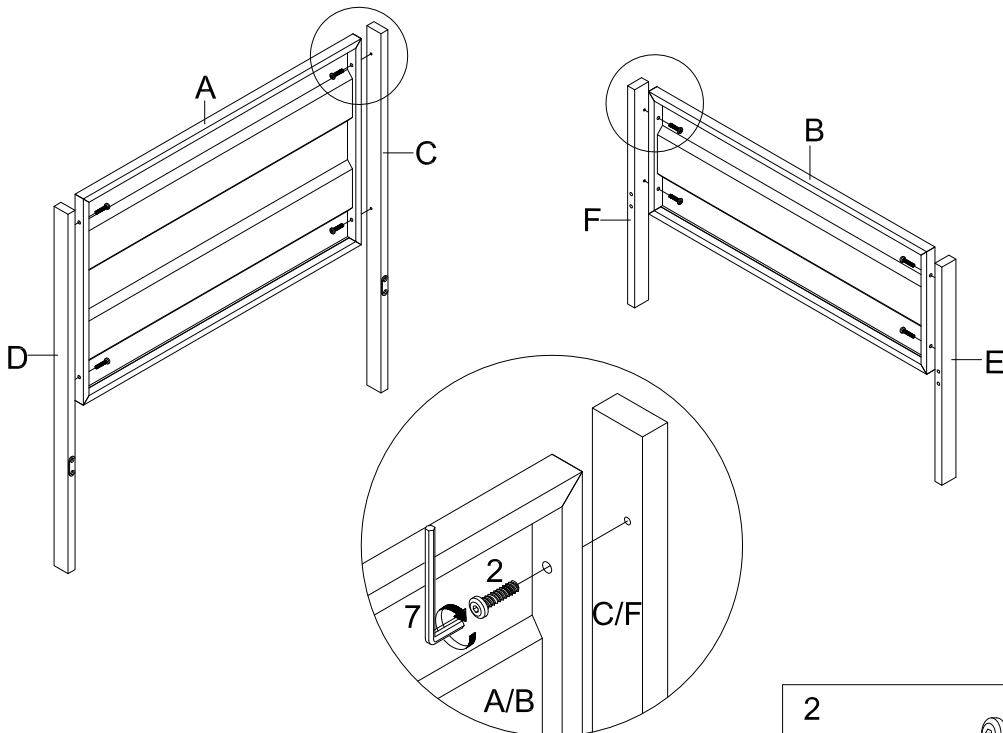



STEP 1.



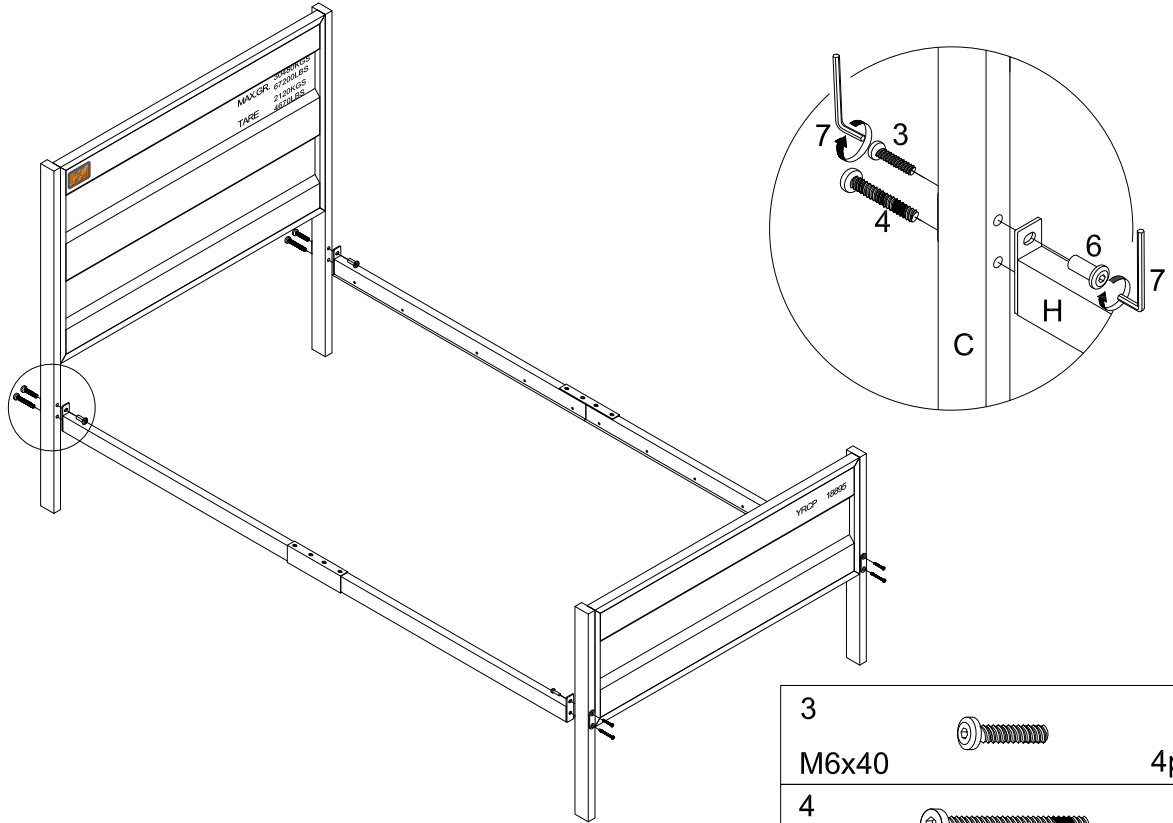
5
M8x15  16pcs

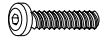

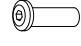
STEP 2.



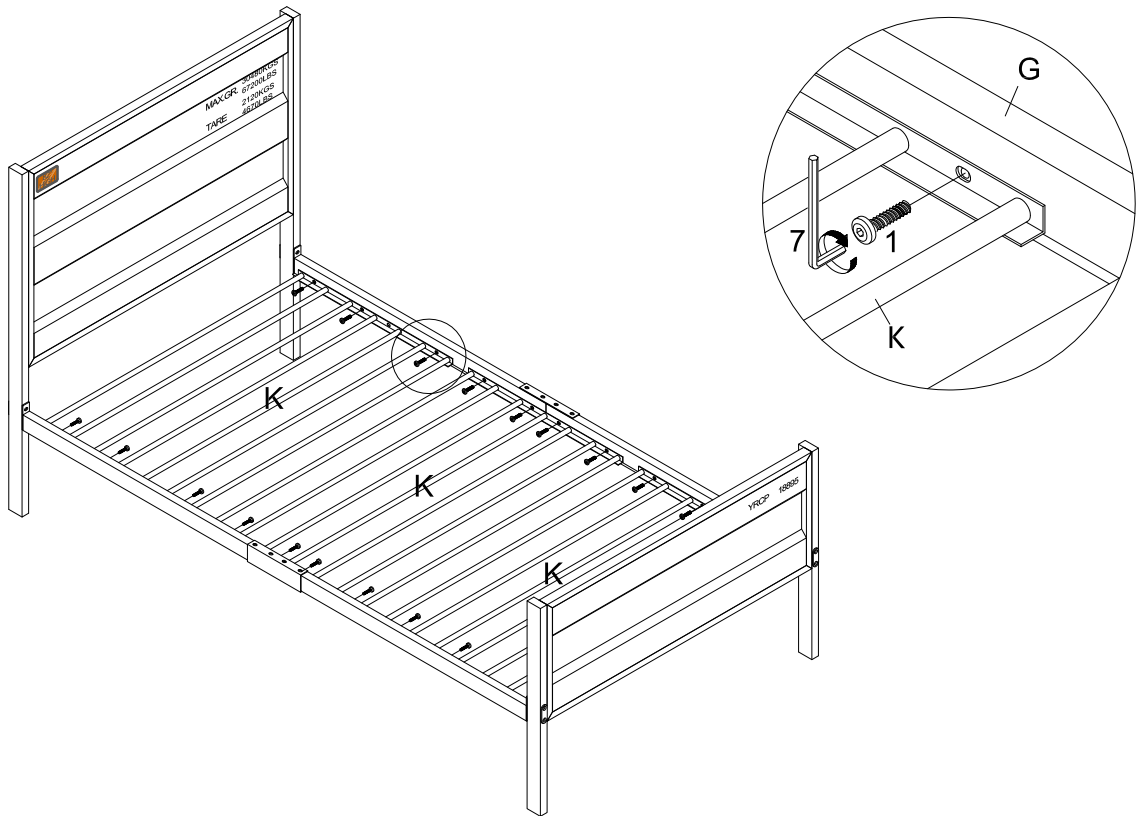
2
M6x30  8pcs

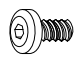
STEP 3.



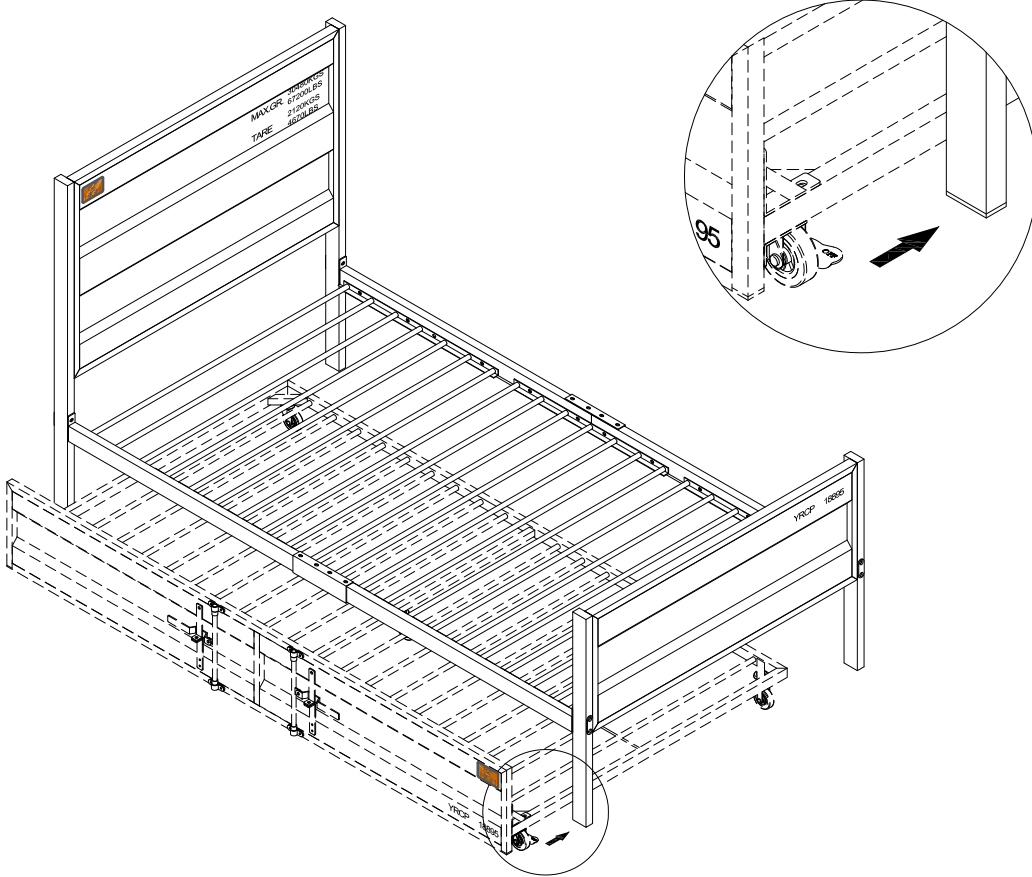
3		4pcs
M6x40		
4		4pcs
M6x75		
6		4pcs
M6x27		

STEP 4.



1		20pcs
M6x15		

STEP 5.



STEP 6.

