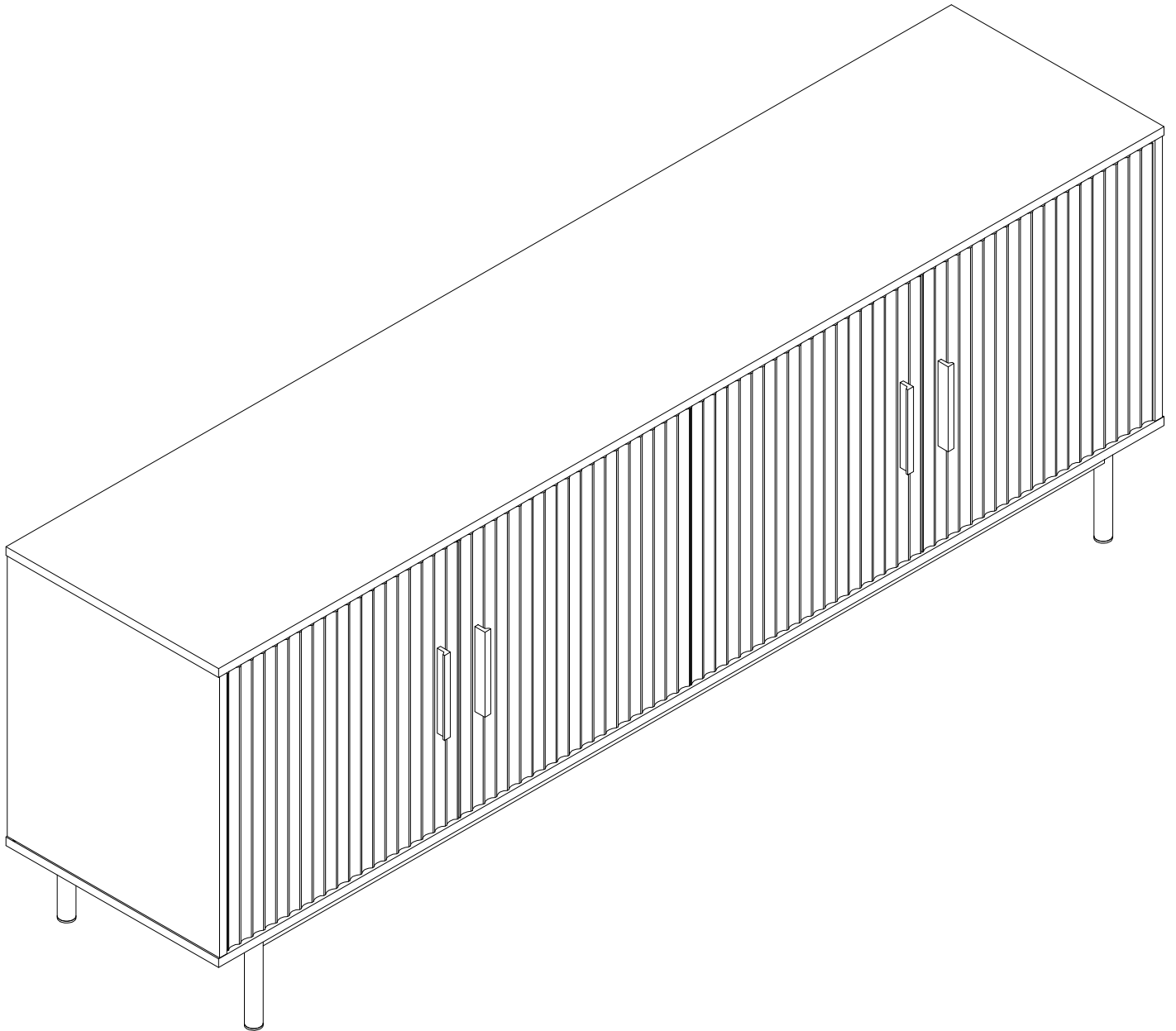


ASSEMBLY INSTRUCTIONS



Thank you for purchasing our product!

Please refer and use this assembly instruction to assemble the product.

Contact our customer service department in case there are any missing or damage parts or hardware. Please also tell us.

ASSEMBLY PREPARATION:

1. Remove all packaging materials, staples and packing straps from the carton.
2. Refer to Parts List and Hardware List and ensure they are correct before assembly. Contact customer service for missing parts.
3. Place all wooden parts on a clean, flat and soft surface (e.g. carpet or rug) to prevent parts from getting scratched.

SAFETY PRECAUTION:

1. Keep all hardware parts out of reach of children.
2. Dispose plastic packaging material immediately to avoid any risk of suffocation to children and animals..

TIPS FOR ASSEMBLY:

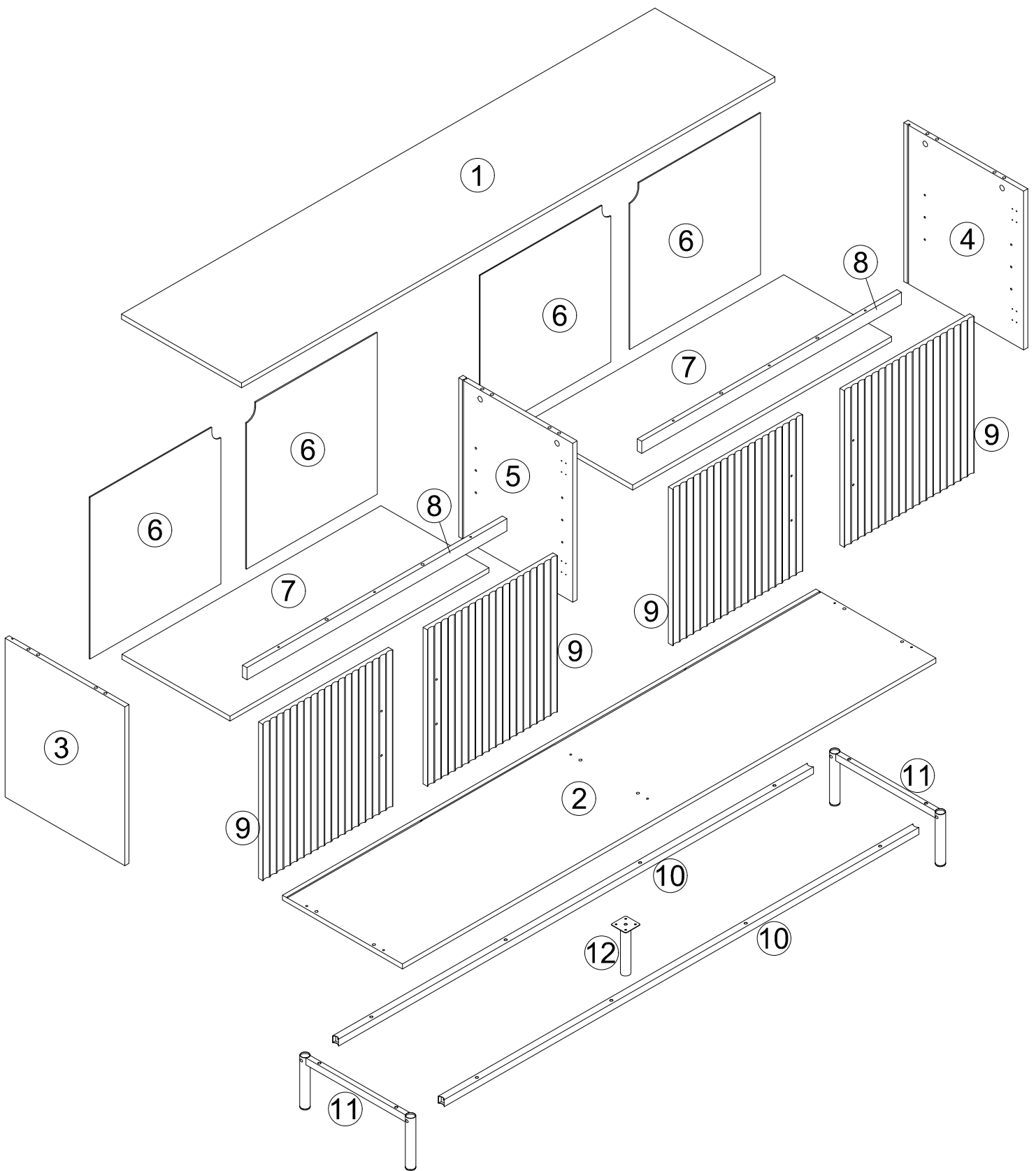
1. Allow ample room for assembly and in close proximity to where product will be placed.
2. Assemble the product on a surface that does not scratch or damage the exterior gloss and finish of the furniture.
3. Identify all of the parts, hardware and quantities required for each step.
4. During assembly, do not over-tighten any fittings as this may cause damage.
5. DO NOT USE POWER TOOLS TO ASSEMBLE THIS PRODUCT.
6. Always place the product on a flat, level surface.
7. Do not sit or stand on the partially assembled product; only use the product for which it is intended.

CARE AND MAINTENANCE:

- Use a slightly damp cloth to clean the product. Do not use bleach or abrasive cleaning material.
- Check all the fittings periodically and re-tighten as necessary. Do not use the product if any of the parts is damaged or broken.
- Never allow any kind of liquid to remain on your furniture. Absorption can cause wood to warp or delaminate.
- Do not place hot items (e.g. hot drinks) directly onto the wood surface.

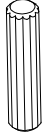

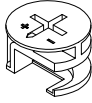
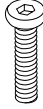
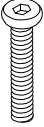
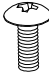
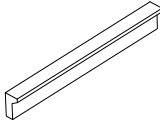

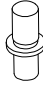

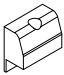



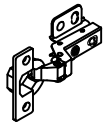
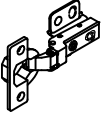



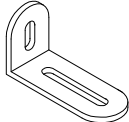


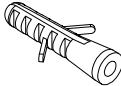
Part List

Please check if all the piece listed bellow are received



Hardware List

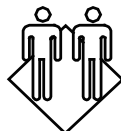
Please check if all the piece listed below are received

<p>A</p>  <p>Wood Dowel Ø8*30mm Qty: 16</p>	<p>B</p>  <p>Cam Bolt Ø7*34mm Qty: 6</p>	<p>C</p>  <p>Cam Lock Ø15*9mm Qty: 6</p>	<p>D</p>  <p>Handle Bolt Ø1/4*30mm Qty: 12</p>	<p>E</p>  <p>Handle Bolt Ø1/4*45mm Qty: 4</p>
<p>F</p>  <p>Handle Bolt Ø5/32*17mm Qty: 8</p>	<p>G</p>  <p>Handle Qty: 4</p>	<p>H</p>  <p>Rubber mat Ø10*3mm Qty: 8</p>	<p>I</p>  <p>Shelf support Qty: 8</p>	<p>J</p>  <p>Glue Qty: 1</p>
<p>K</p>  <p>Plastic wedge Qty: 16</p>	<p>L</p>  <p>Flat-head screw Ø3*16mm Qty: 16</p>	<p>M</p>  <p>screw Ø4*14mm Qty: 4</p>	<p>N</p>  <p>Screw Ø4*40mm Qty: 12</p>	<p>O</p>  <p>Big bend hinge Ø35mm Qty: 4</p>
<p>P</p>  <p>Middle bend hinge Ø35mm Qty: 4</p>	<p>Q</p>  <p>Screw Ø3.5*12mm Qty: 48</p>	<p>R</p>  <p>Hex key M4 x 54mm Qty: 1</p>	<p>S</p>  <p>Back clamp Qty: 2</p>	<p>T</p>  <p>Wall bracket 53 x 25 x 16 x T1.5 Qty: 2</p>
<p>U</p>  <p>Short Screw Ø4*14mm Qty: 2</p>	<p>V</p>  <p>Long Screw Ø4*38mm Qty: 2</p>	<p>W</p>  <p>Drywall Anchor Qty: 2</p>		

**ASSEMBLY
REQUIREMENTS**

**2 Hours
Assembly Time
(Approximate)**

2 -Person Assembly



Tools Required (Not Provided):

Phillips Screwdriver 

Flat Head Screwdriver 

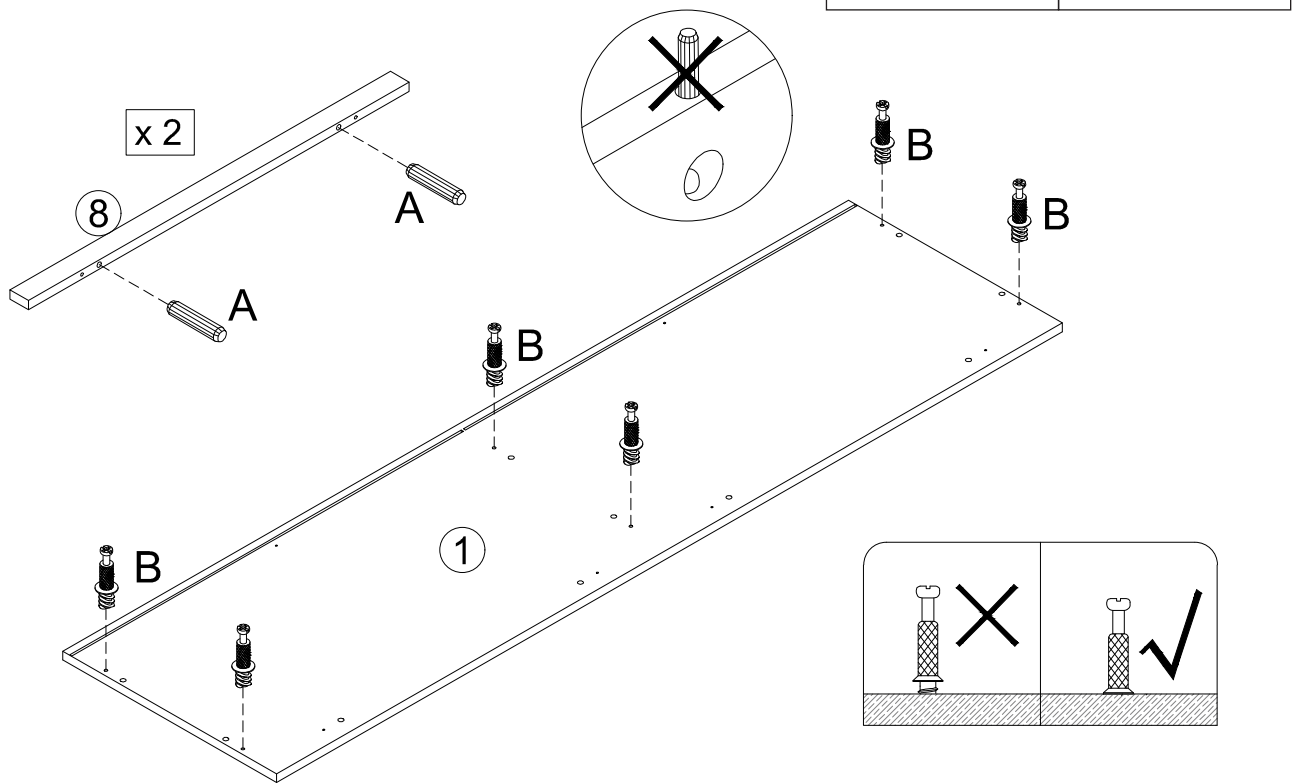
Mark Pencil 

Power Drill 

Step 1

I. Secure Cam bolt (B) into panel (1) with screwdriver as per diagram.

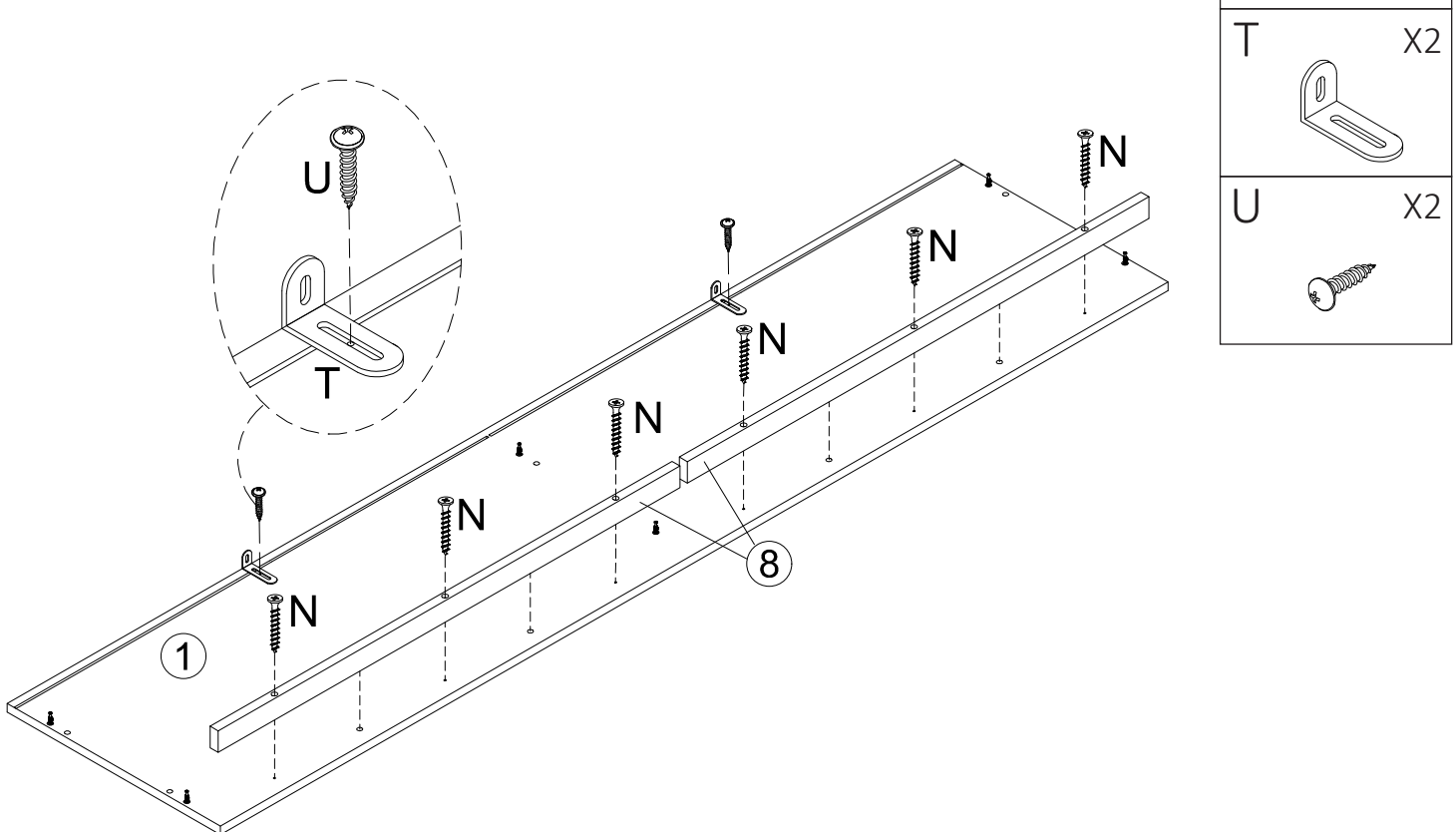
II. Insert wooden dowel (A) into panel (8,8) as per diagram.



Step 2

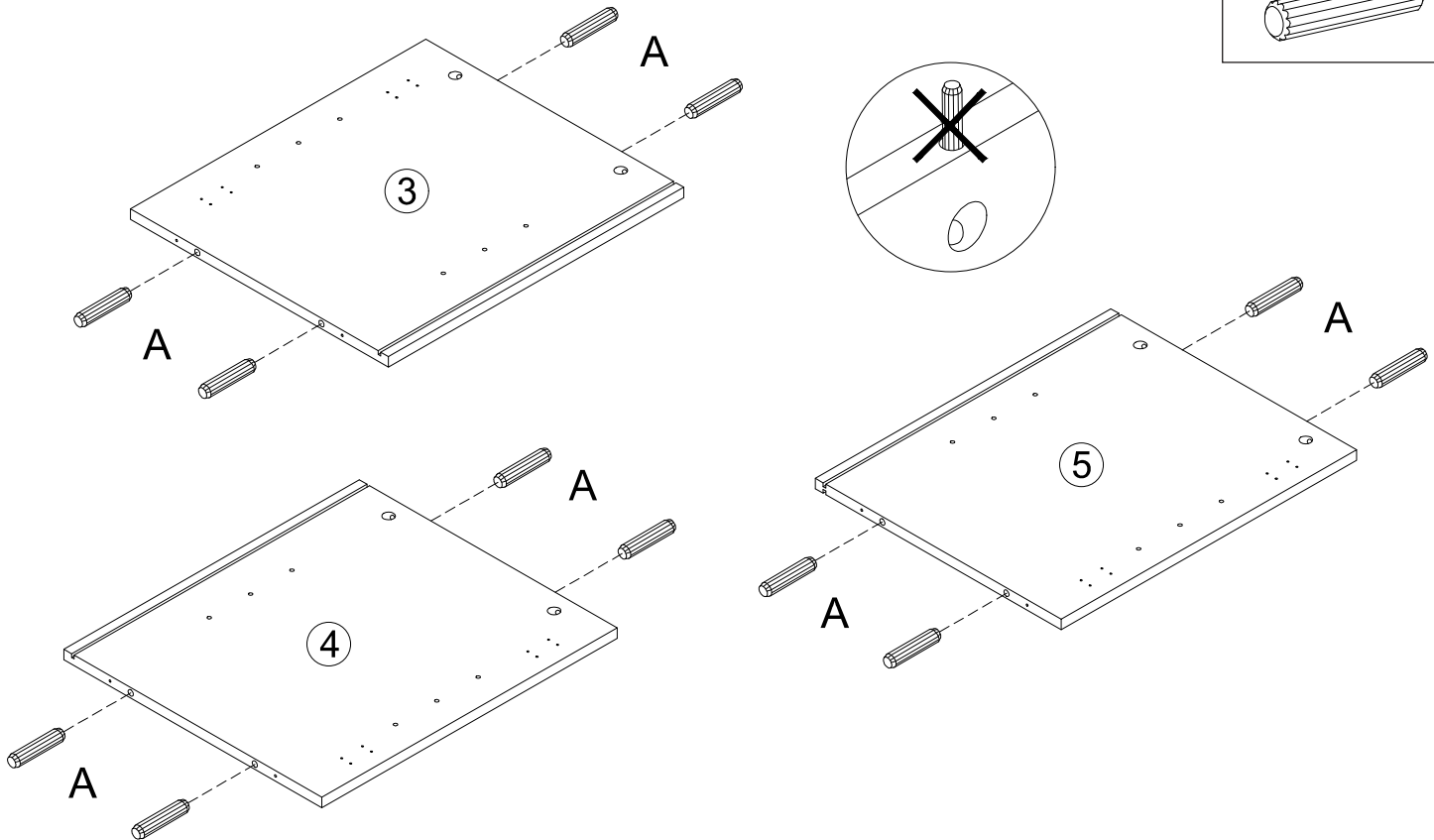
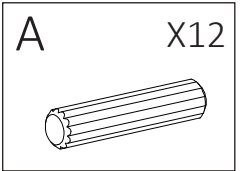
I. Attach panel (8,8) to panel (1), then using screw (N) secure panel (8,8) to panel (1) with screwdriver as per diagram.

II. Attach wall bracket (T) to panel (1) by using screw (U) as per diagram.



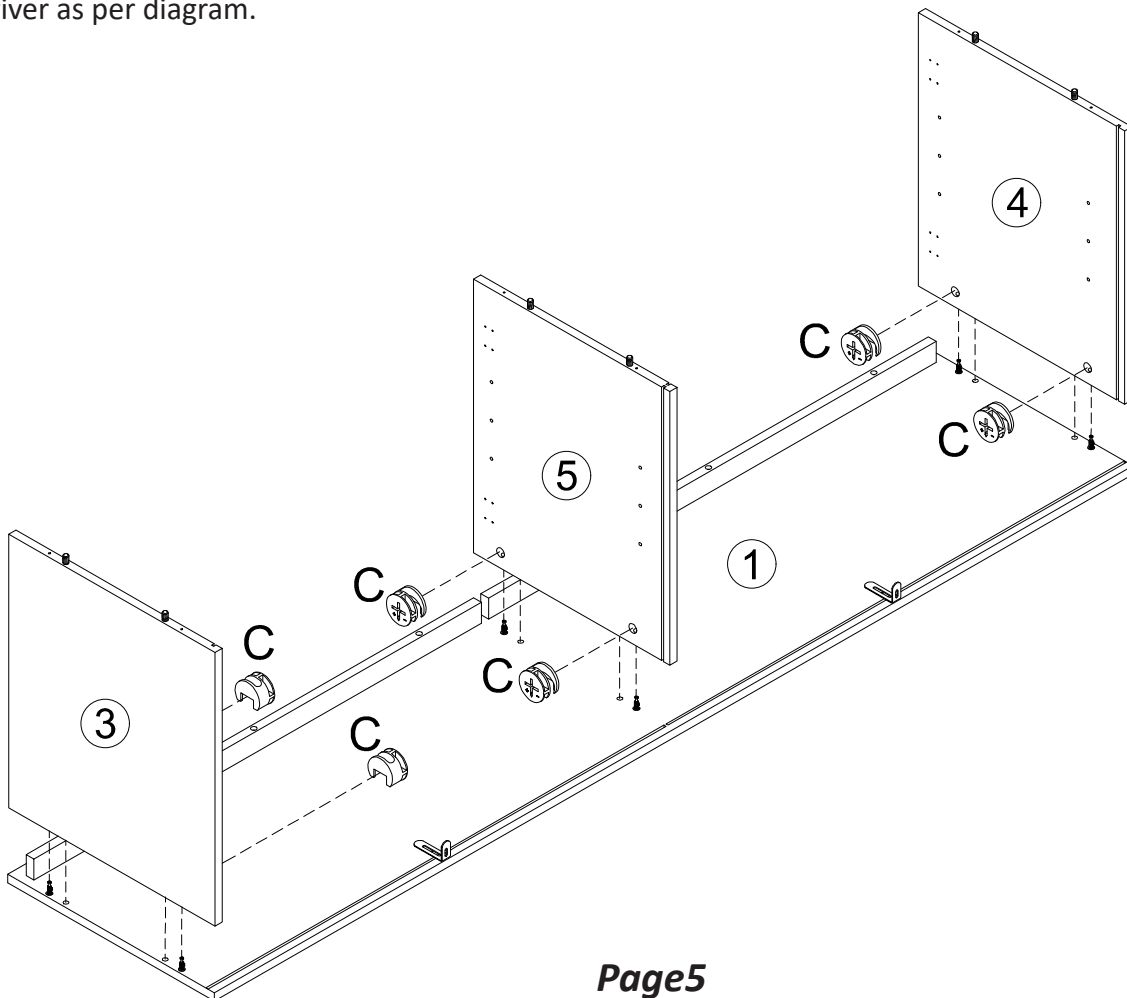
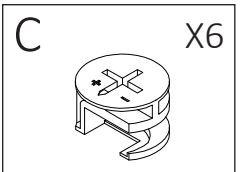
Step 3

I. Insert wooden dowel (A) into panel (3,4,5) as per diagram.



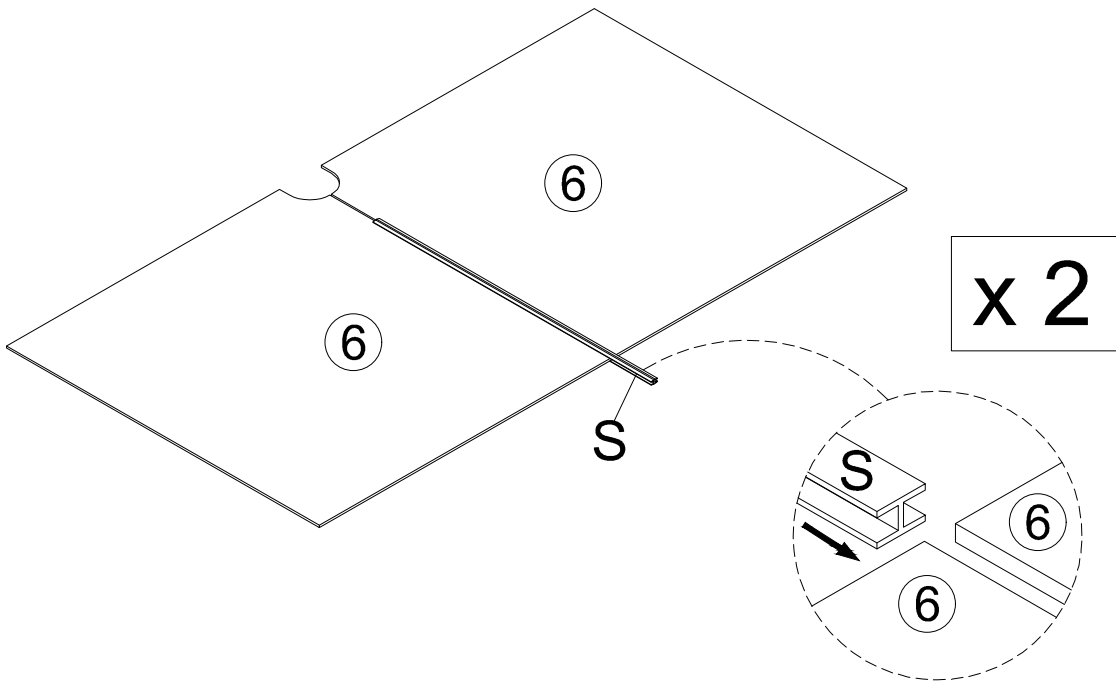
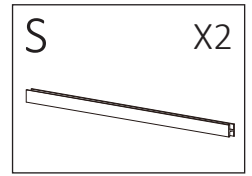
Step 4

I. Attach panel (3,5,4) to panel (1), using cam lock (C) secure panel (3,5,4) to part (1) with screwdriver as per diagram.



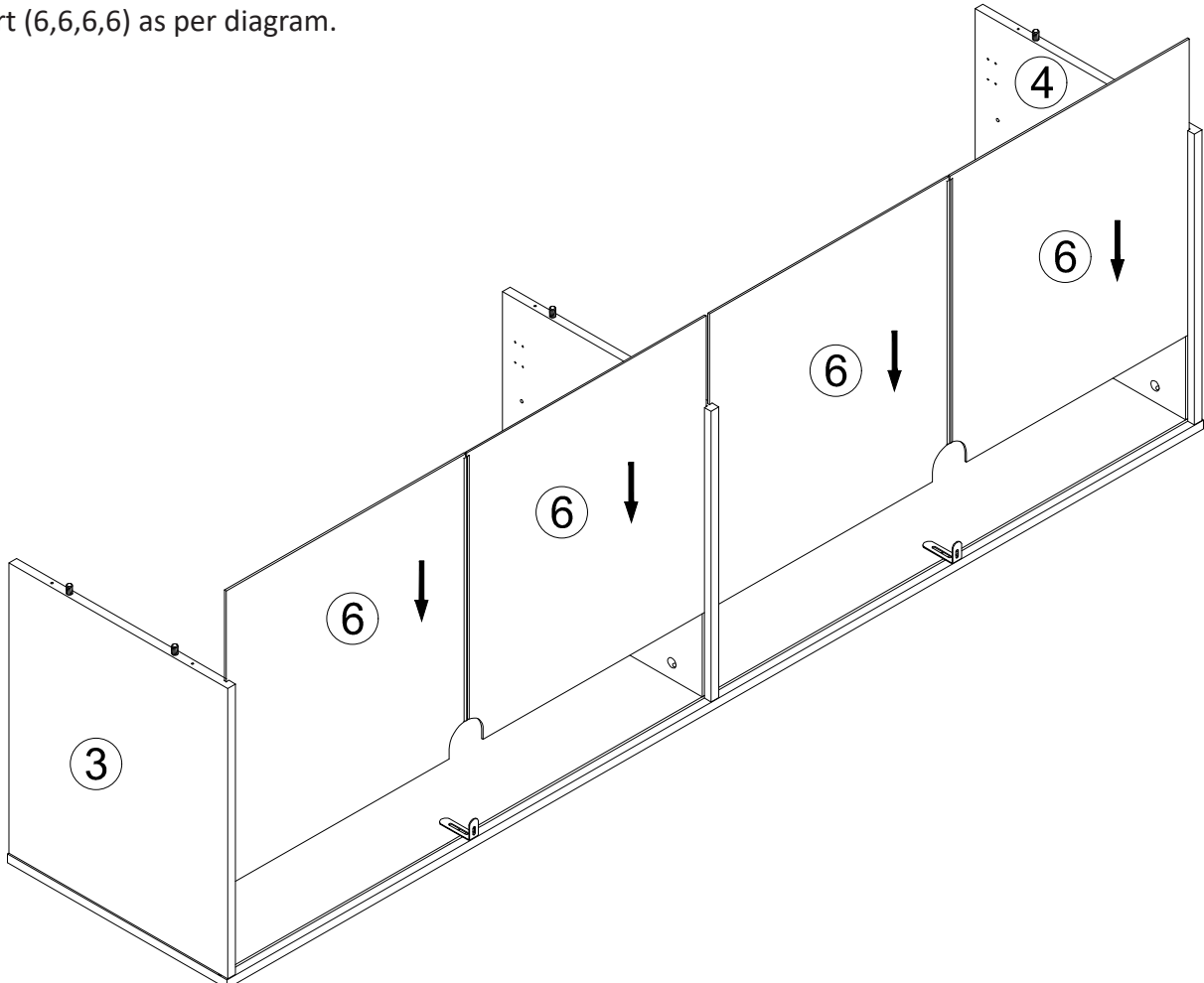
Step 5

I. Using back clamp(S) fix up panel (6,6) as per diagram.



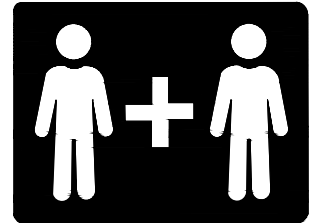
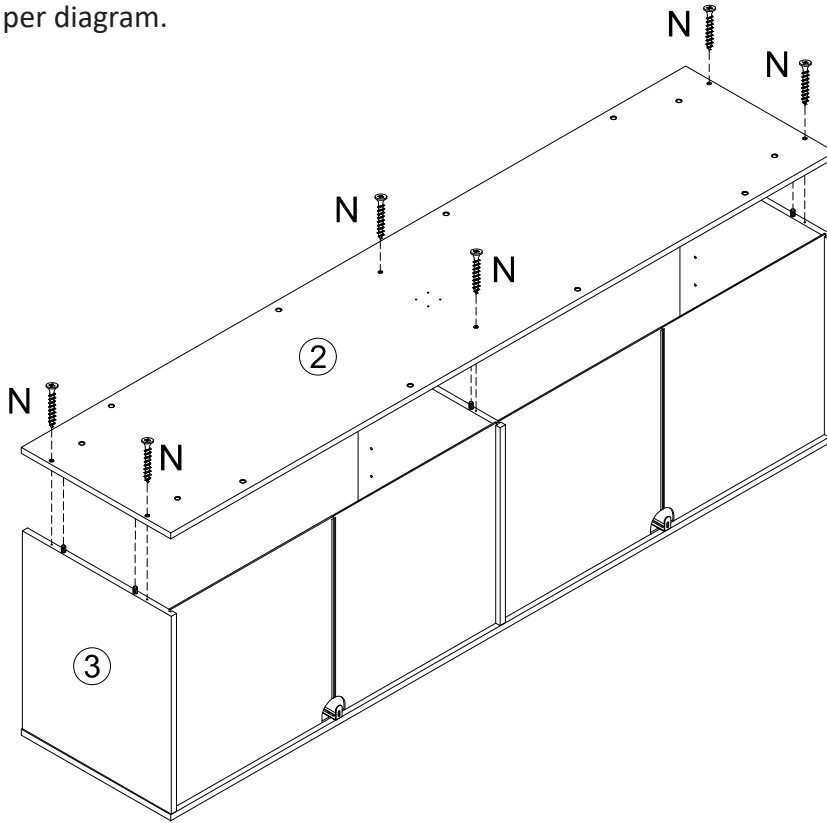
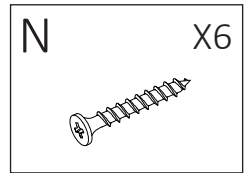
Step 6

I. Place part (6,6,6,6) as per diagram.



Step 7

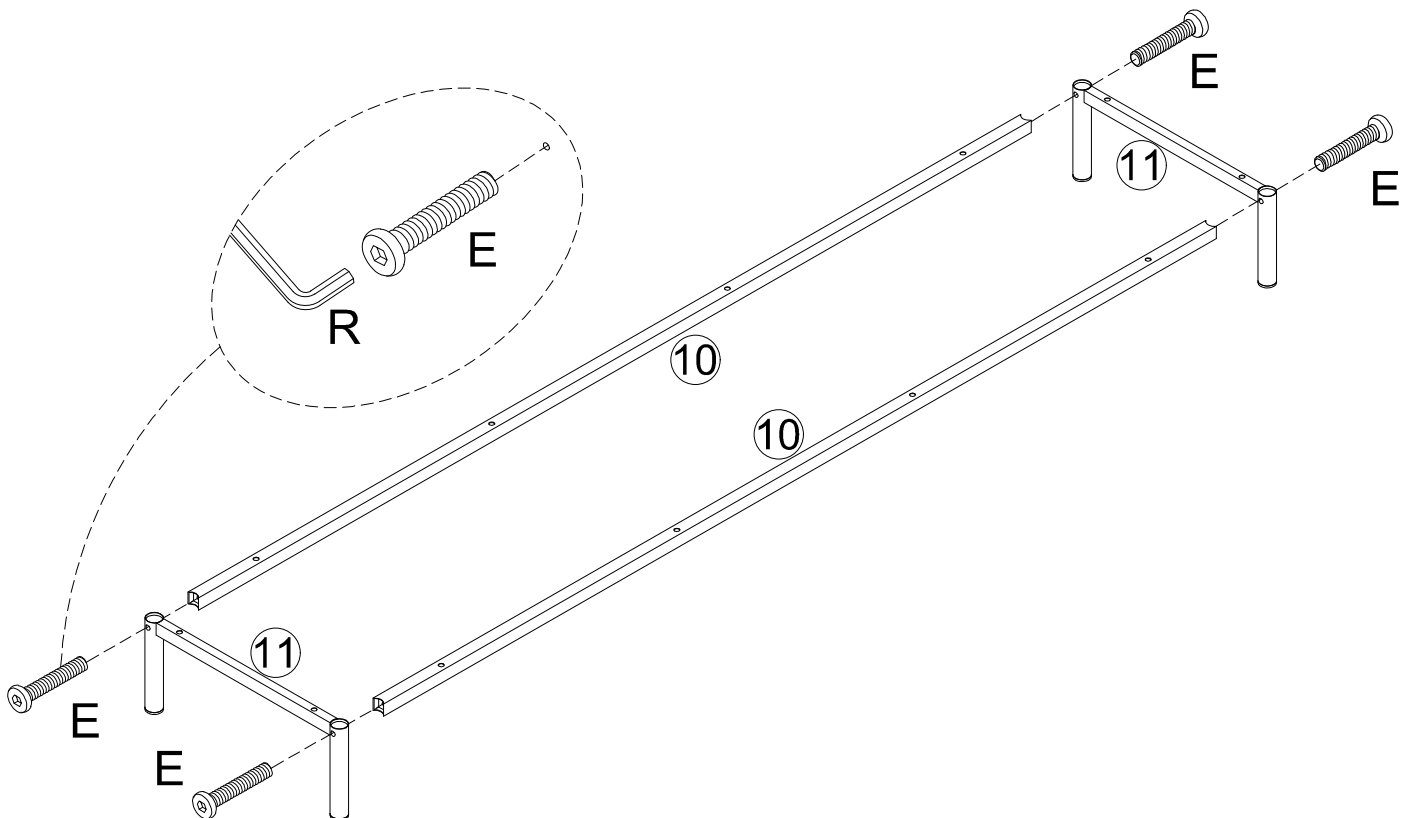
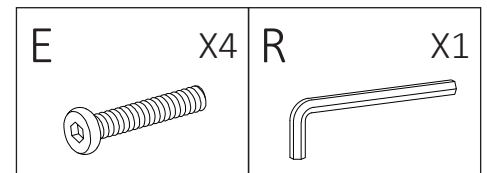
I. Attach panel (2) to panel (3,5,4), using screw (N) attach panel (2) to panel(3,4,5) with screwdriver as per diagram.



Step 8

I. Using bolt (E) attach part (10,10) to part (11,11) with hex key (R) as per diagram.

Note: please do not fully tighten all bolts.

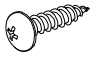
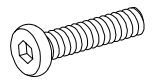



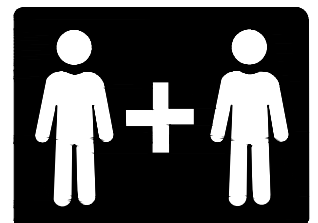
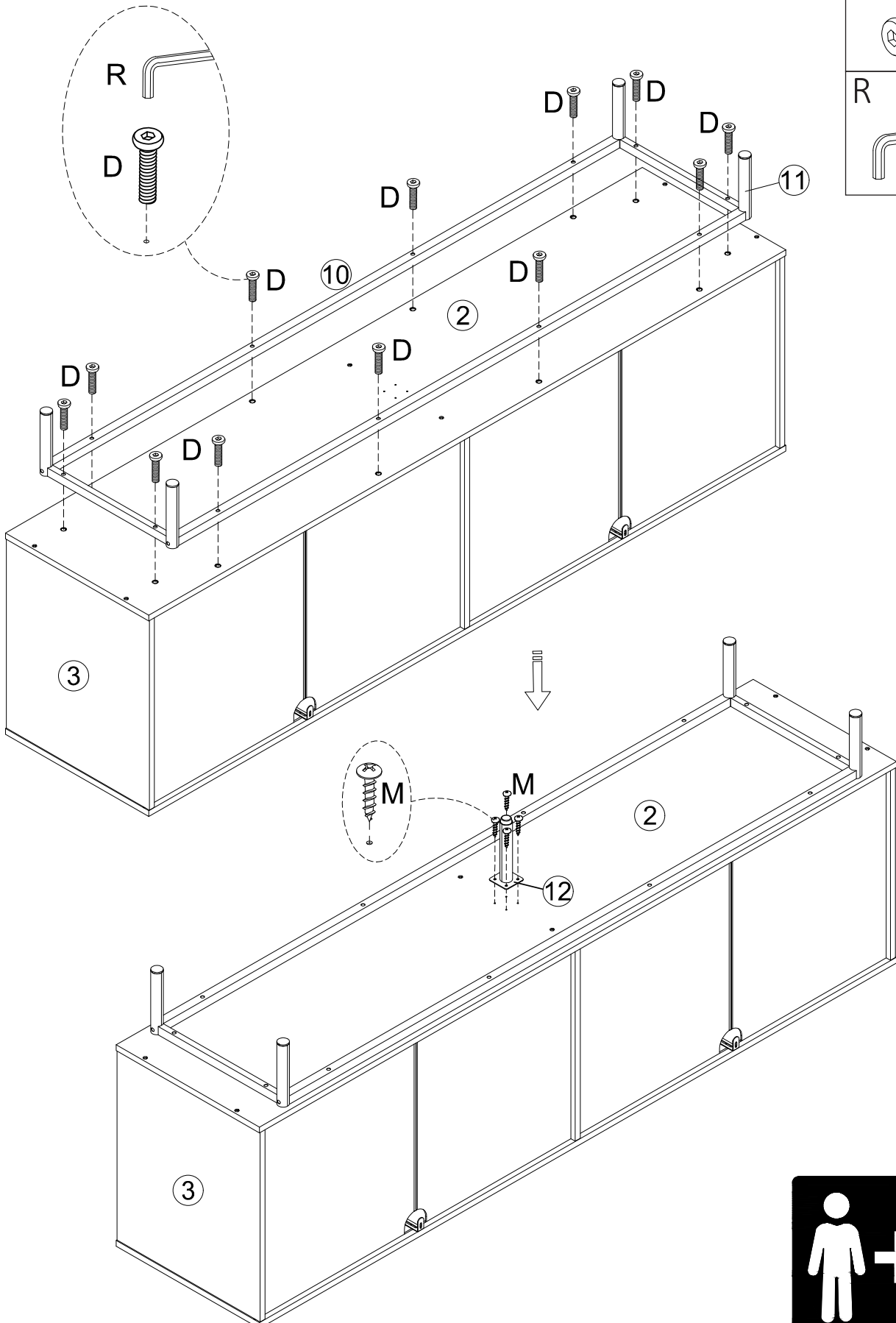
Step 9

I. Using bolt (D) attach part (10,11) to panel (2) with hex key (R) as per diagram.

II. Using screw (M) attach part (12) to panel (2) with screwdriver (R) as per diagram.

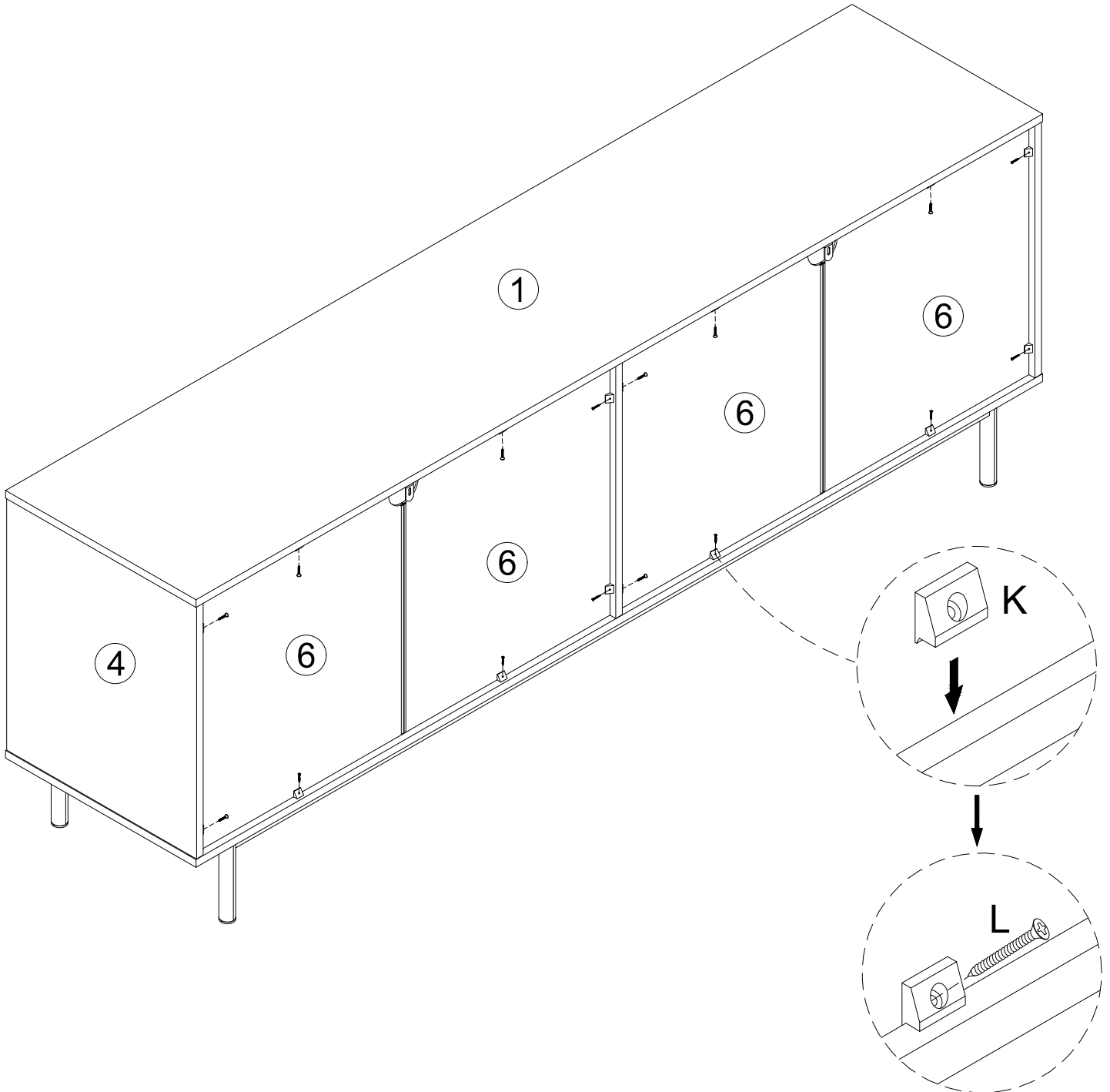
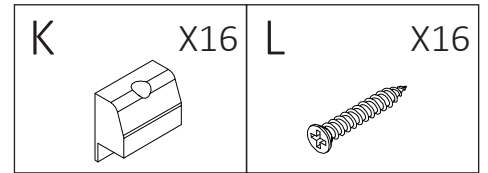
Note: please fully tighten all bolts from Step 8.

M	X4
	
D	X12
	
R	X1
	



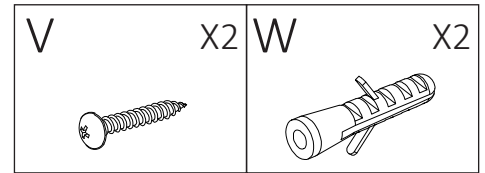
Step 10

I. Using screw (L) attach plastic wedge (K) to panel (6) with screwdriver as per diagram.



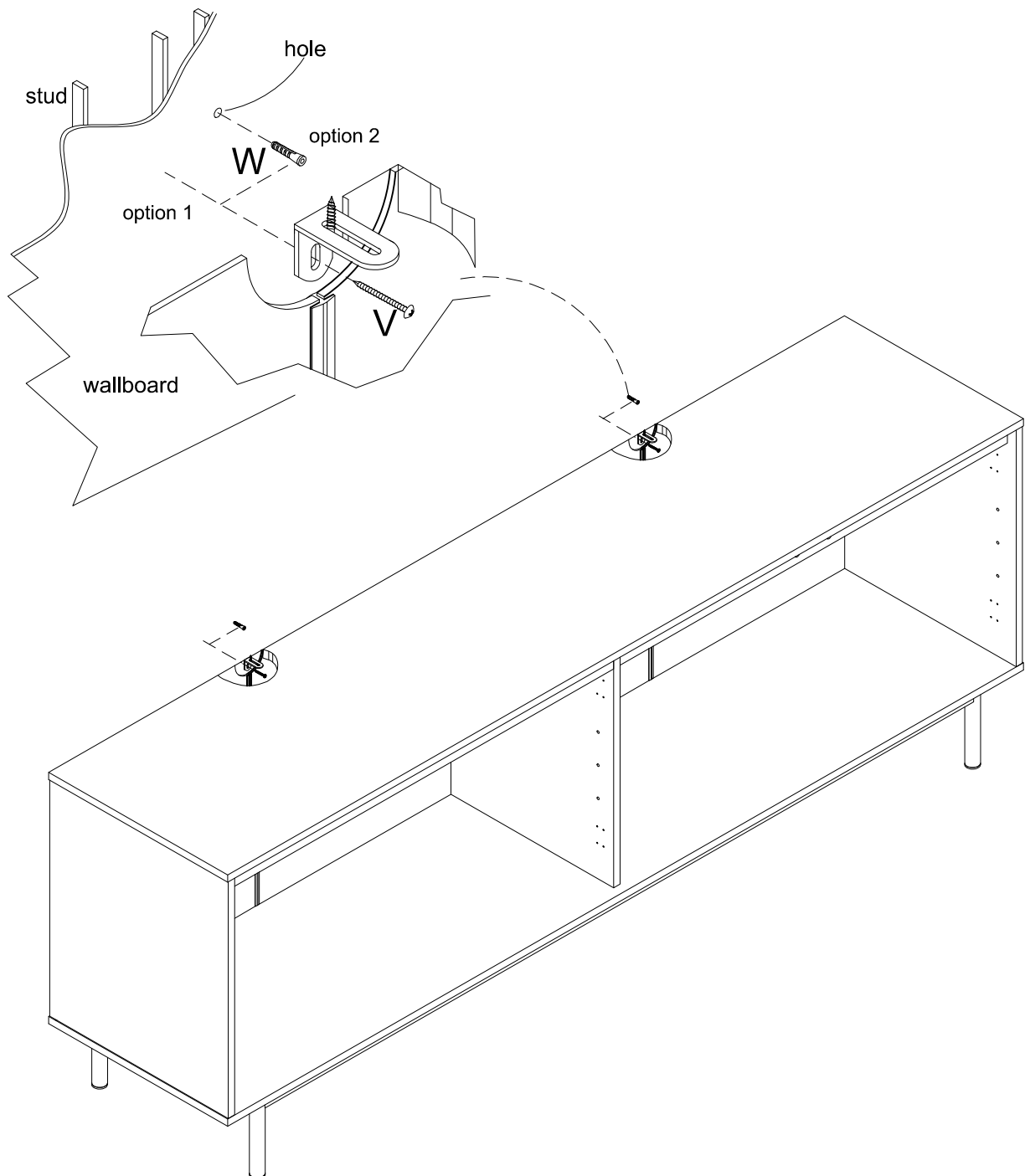
Step 11

- I. Mark the drill position on the wall with a pencil.
- II. Drill a small hole on the marked position.
- III. Insert drywall anchor(W) into the drilled hole.
- IV. Use long screw(V) to fix it to the drywall anchor via wall bracket.



WARNING

Serious or fatal injuries can occur from furniture tipping over. To prevent the furniture from tipping over we recommend that it is permanently fixed to the wall. Wall anchor and hardware are included with this product. Please make sure hardware is suitable for your walls before installing, as different wall materials may require different types of anchors.

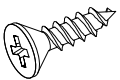
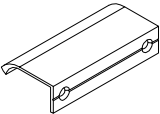
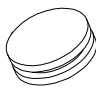
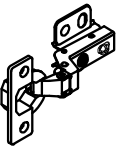
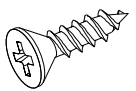


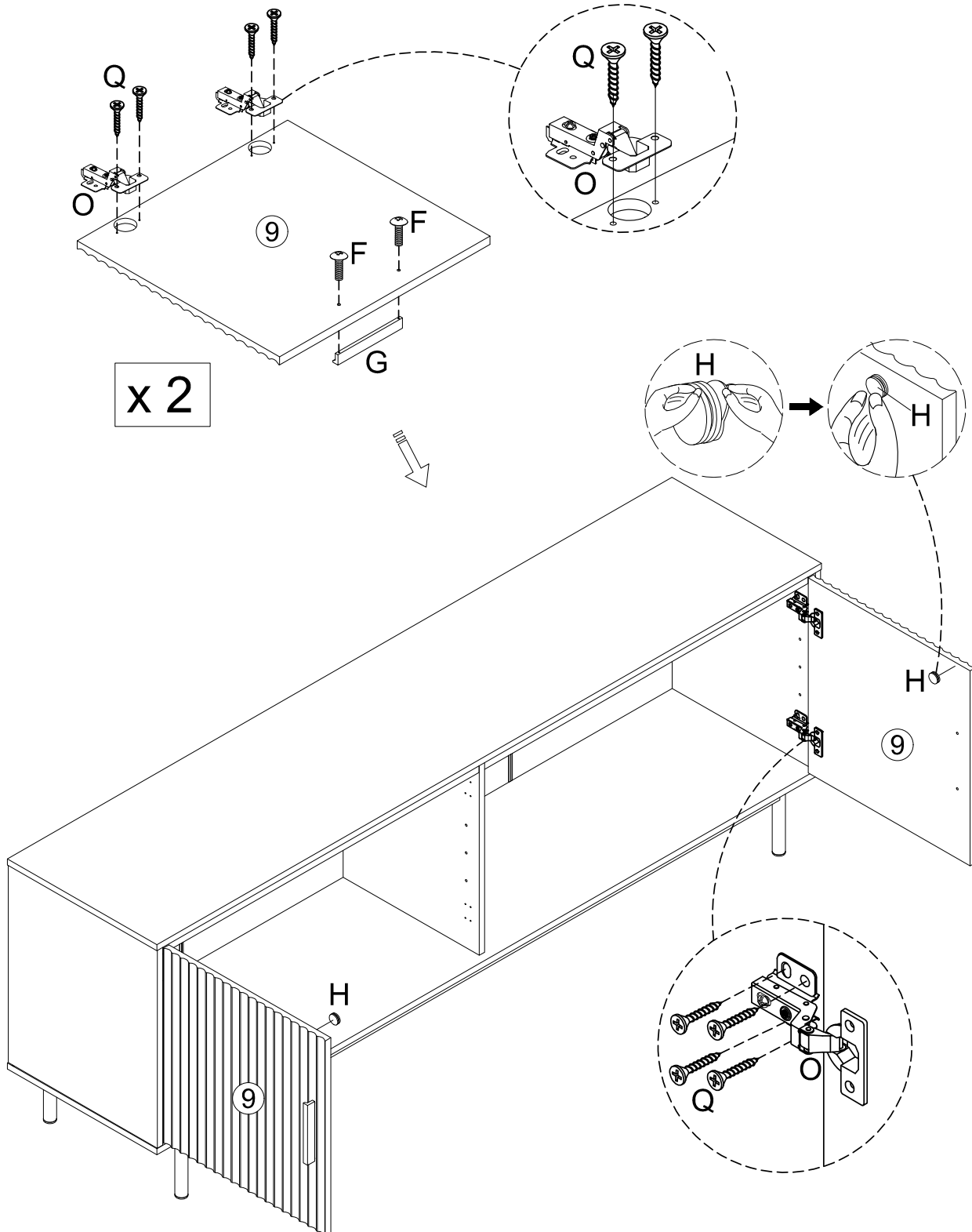
Step 12

I. Using screw (Q) attach hinge (O) to panel (9,9) with screwdriver, then using screw (F) secure handle (G) to panel (9,9) with screwdriver as per diagram.

II. Using screw (Q) attach hinge (O) on panel (9) to panel (3) with screwdriver, then using Screw (Q) attach hinge (O) on panel (9) to panel (4) with Philips head screwdriver as per diagram.

Note: Place rubber mat (H) to the door as per diagram.

F	X4
	
G	X2
	
H	X2
	
O	X4
	
Q	X24
	

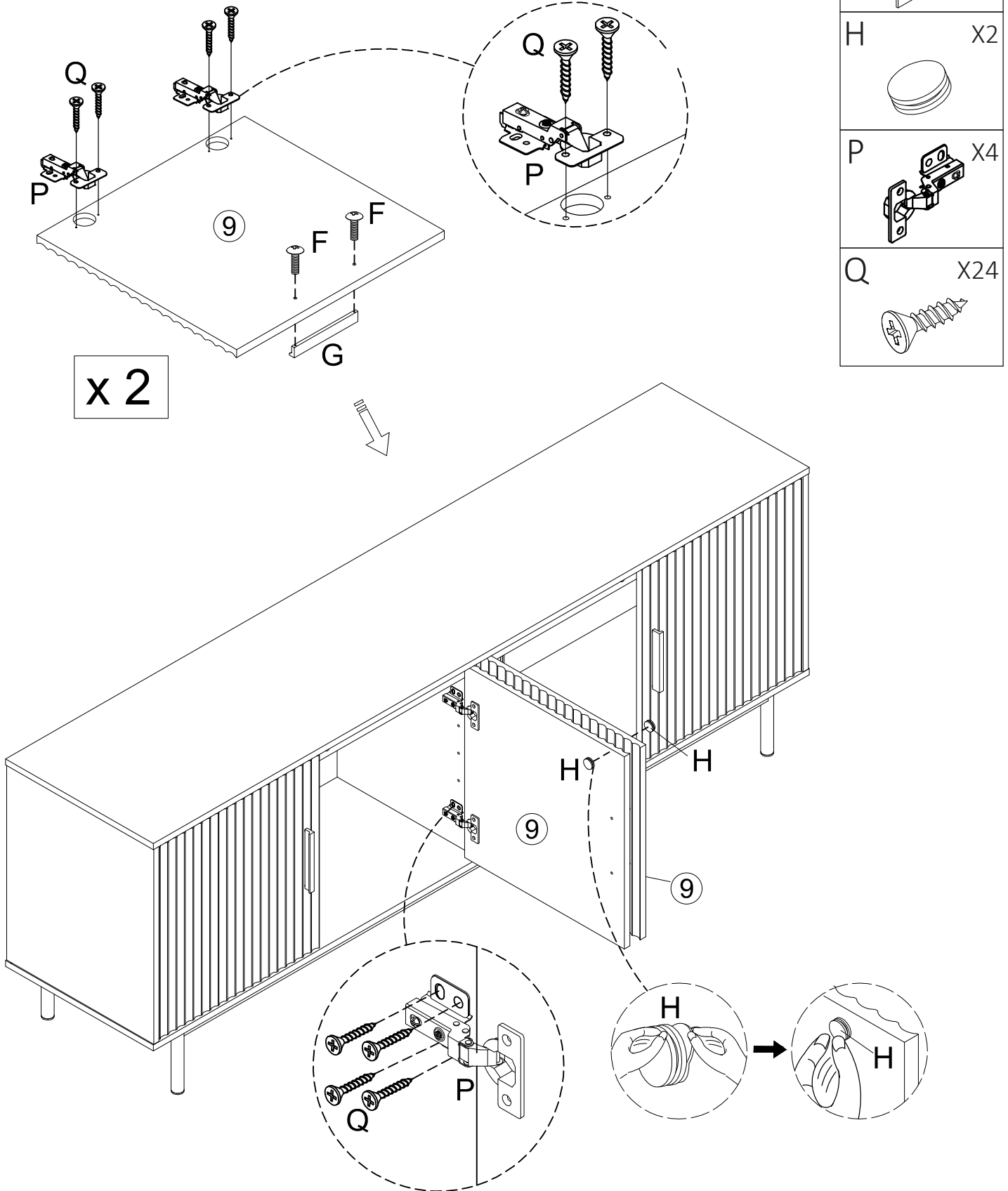


Step 13

I. Using screw (Q) attach hinge (P) to panel (9,9) with screwdriver, then using screw (F) secure handle (G) to panel (9,9) with screwdriver as per diagram.

II. Using screw (Q) attach hinge (O) on panel (9) to panel (5) with screwdriver, then using Screw (Q) attach hinge (P) on panel (9) to panel (5) with Philips head screwdriver as per diagram.

Note: Place rubber mat (H) to the door as per diagram.



Step 14

I. Insert shelf support pin (I) into panel (3,5,4) as per diagram. Tilt and rest the adjustable shelf (7,7) onto the shelf support pins.

Note: Place rubber mat (H) to the panel(7,7) as per diagram.

