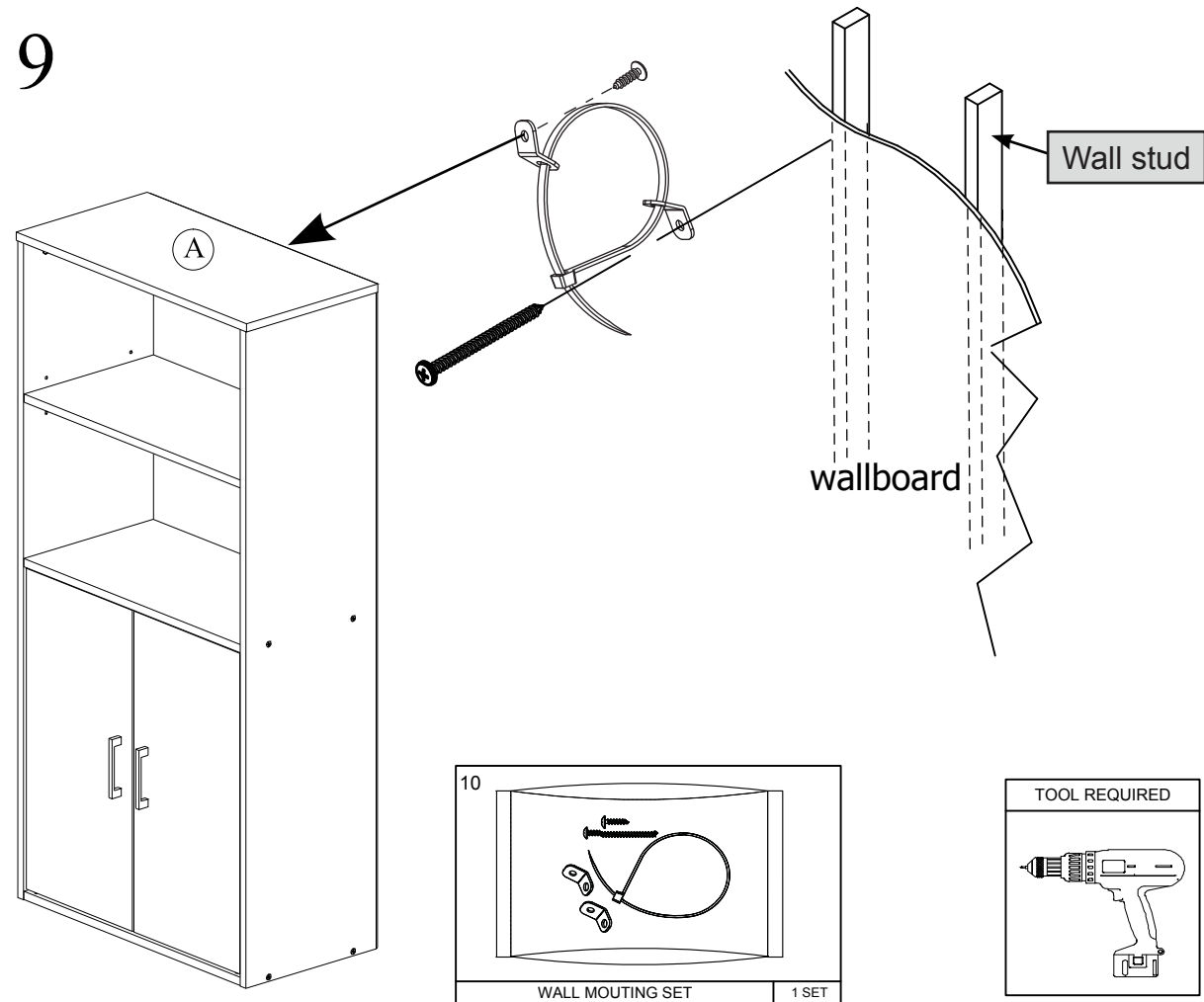
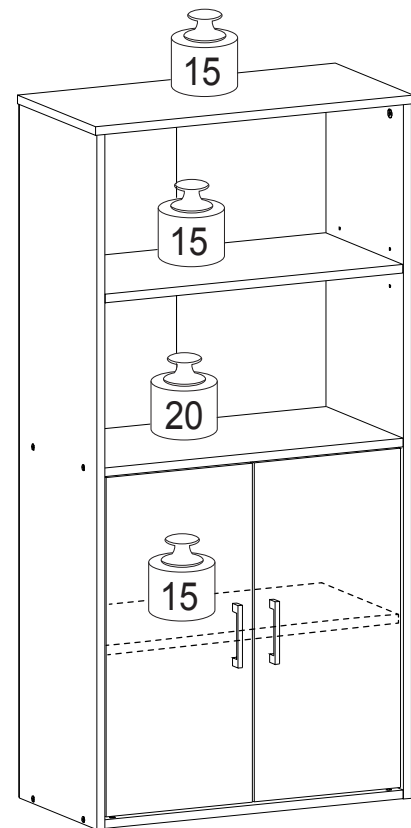


STEP 9



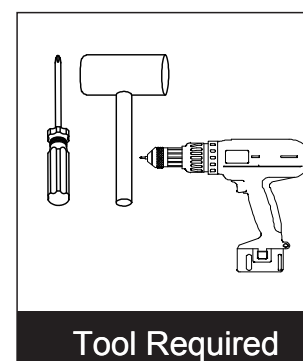
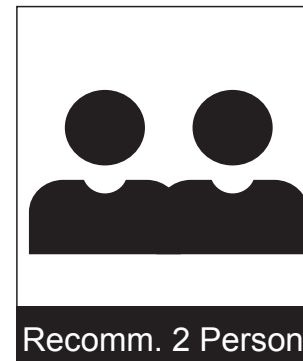
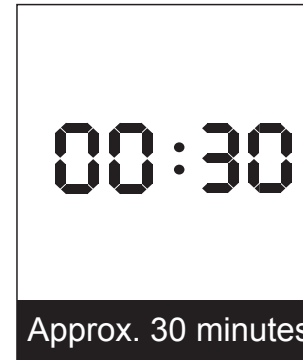
Recommended Maximum Weight



*Unit in Pound(lbs)

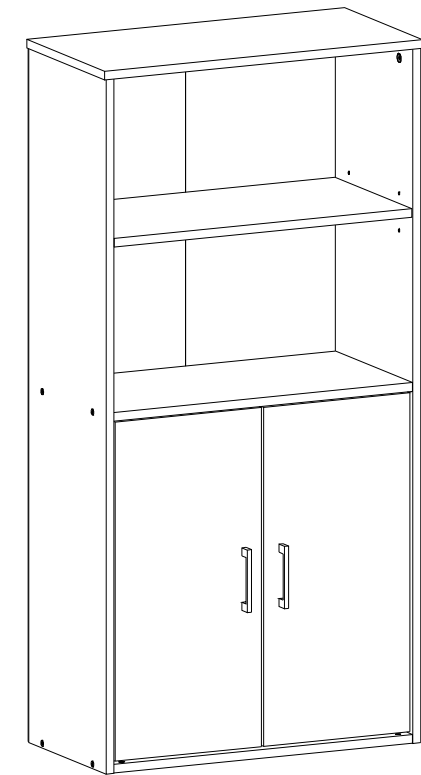
WARNING:

- >This unit has been designed to support the maximum loads shown. Exceeding these load limits could cause sagging, instability, product collapse, and/or serious injury.
- >DO NOT allow children to climb on unit.
- > Put heavier items on lower shelves.





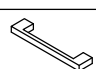

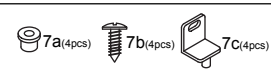


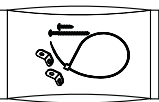


Assembly Instruction

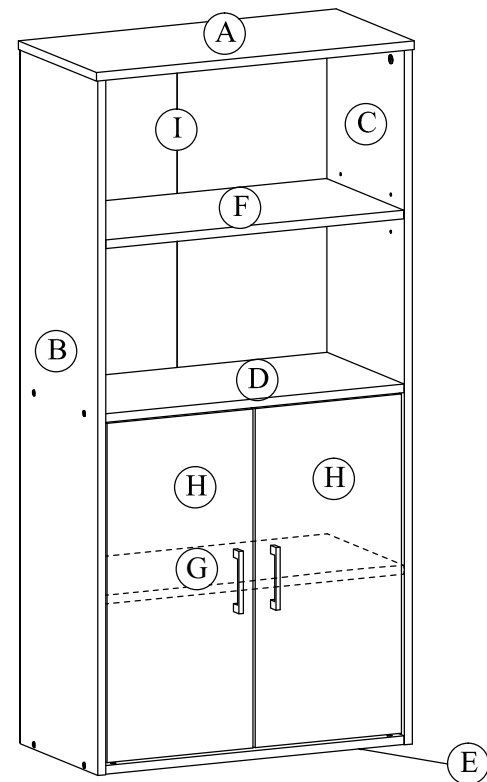
2 Open Shelves and 2 Doors



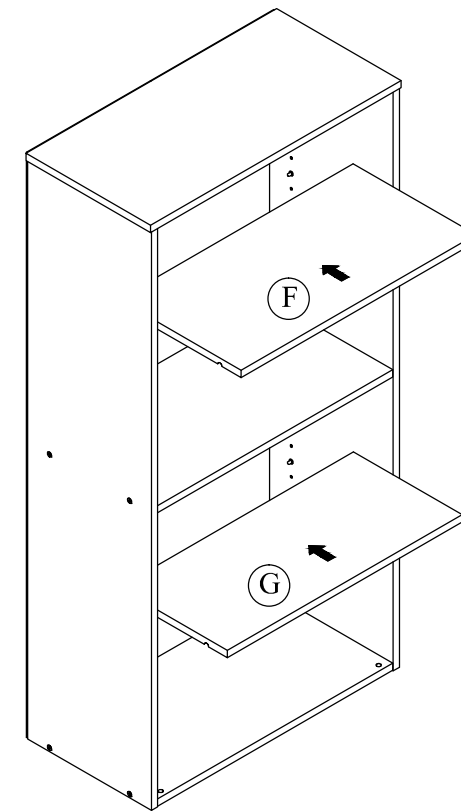
HARDWARE & PARTS LIST

NO	HARDWARE LIST	QTY
1	MINIFIX  1a 1b	4sets
2	LONG SCREW 	8pcs
3	SHELF SUPPORT 	8pcs
4	POWER PIN 	30pcs
5	HANDLE 	2pcs
6	HANDLE SCREW 	4pcs
7	HINGE KIT  7a(4pcs) 7b(4pcs) 7c(4pcs)	1 set
8	MAGNET 	2pcs
9	FLAT HEAD SCREW 	2pcs
10	WALL MOUNT SET 	1 set

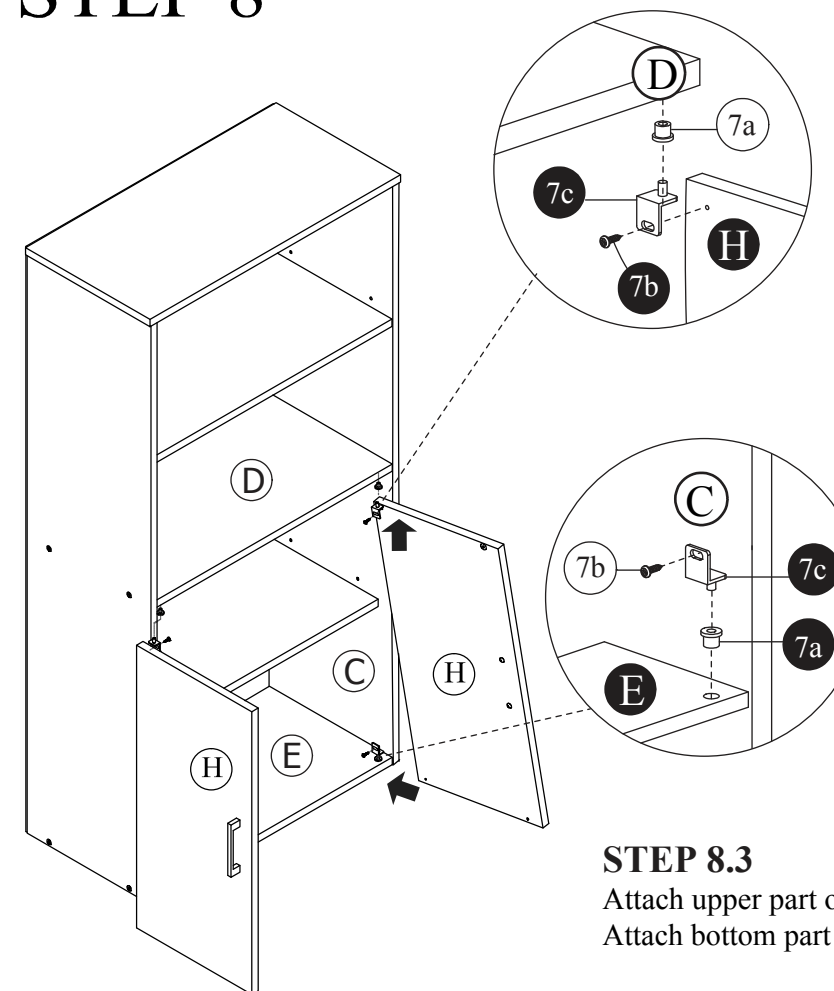
NO	PARTS LIST	QTY
A	TOP PANEL	1pc
B	LEFT SIDE PANEL	1pc
C	RIGHT SIDE PANEL	1pc
D	FIXED SHELF PANEL	1pc
E	BOTTOM PANEL	1pc
F	ADJUSTABLE SHELF PANEL 1	1pc
G	ADJUSTABLE SHELF PANEL 2	1pc
H	DOOR PANEL	2pcs
I	BACK PANEL	1pc



STEP 7



STEP 8



STEP 8.1 (Upper Part)
Note: Fix 7(b) & 7(c) on Panel (H) first.

STEP 8.2 (Bottom Part)
Note: Insert 7(a) & 7(c) into Panel (E) first.

STEP 8.3
Attach upper part of Panel (H) with Panel (D) using 7(a).
Attach bottom part of Panel (H) with Panel (E) using 7(b).

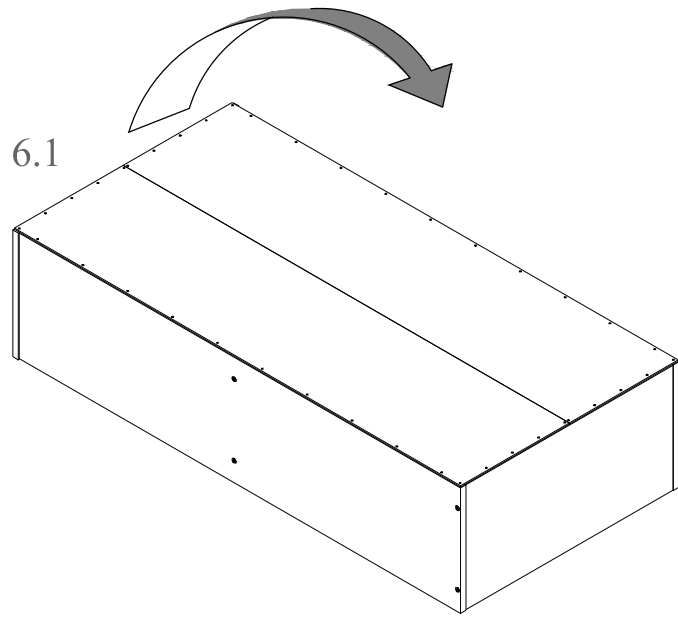
USEFUL HINTS BEFORE YOU START:

1. Read each step carefully before starting.
2. It is important that each step is performed in correct order to avoid difficulties.
3. Identify, sort and count the parts before assembly.
4. Assemble your furniture on packaging cardboard to prevent scratch or damage.
5. Clean the product with mild cleanser using soft damped cloth. Do not use harsh or abrasive cleanser.
6. Using incompatible hardware might cause damage to product.

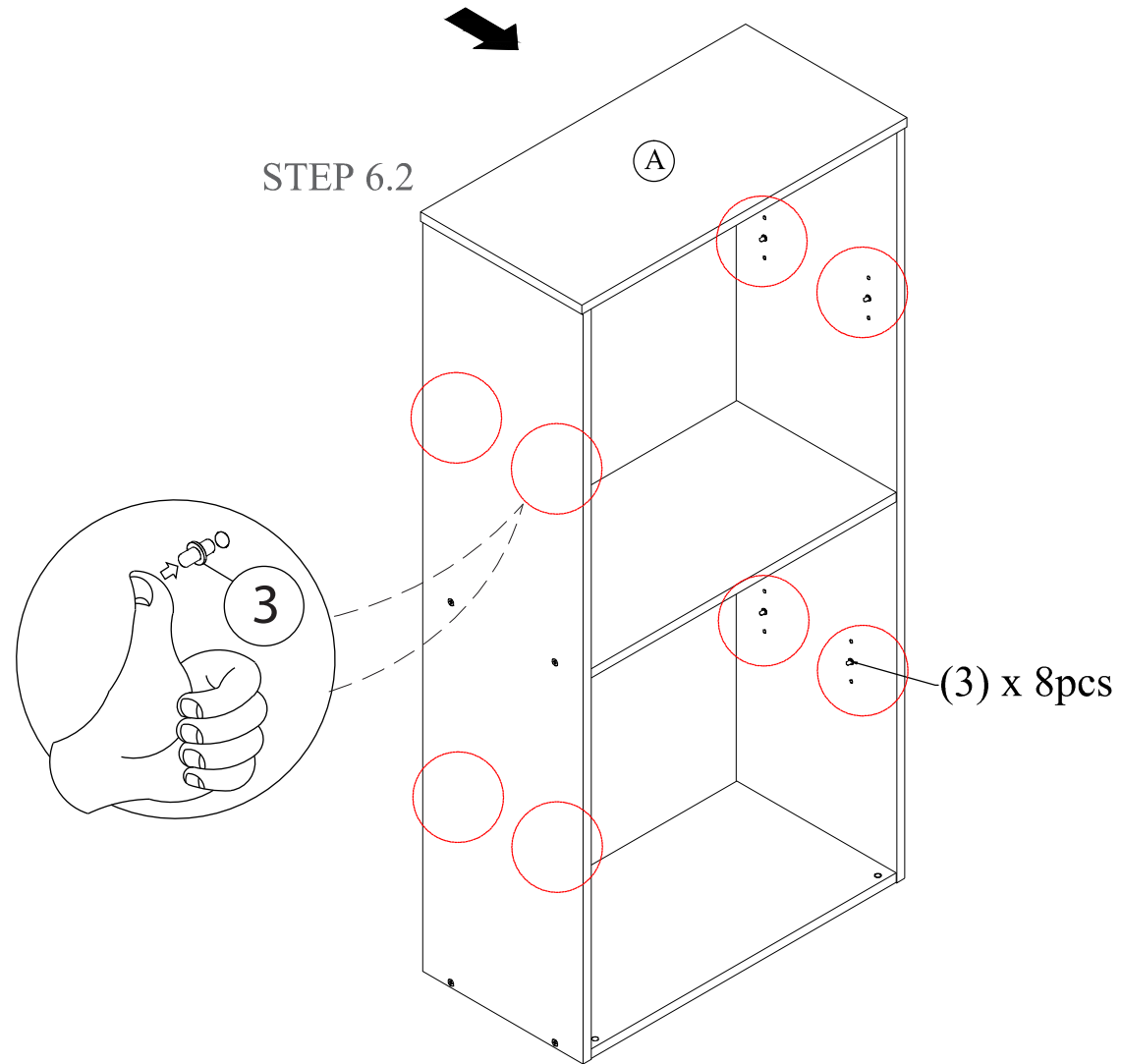
STEP 6

TURN 90°

STEP 6.1



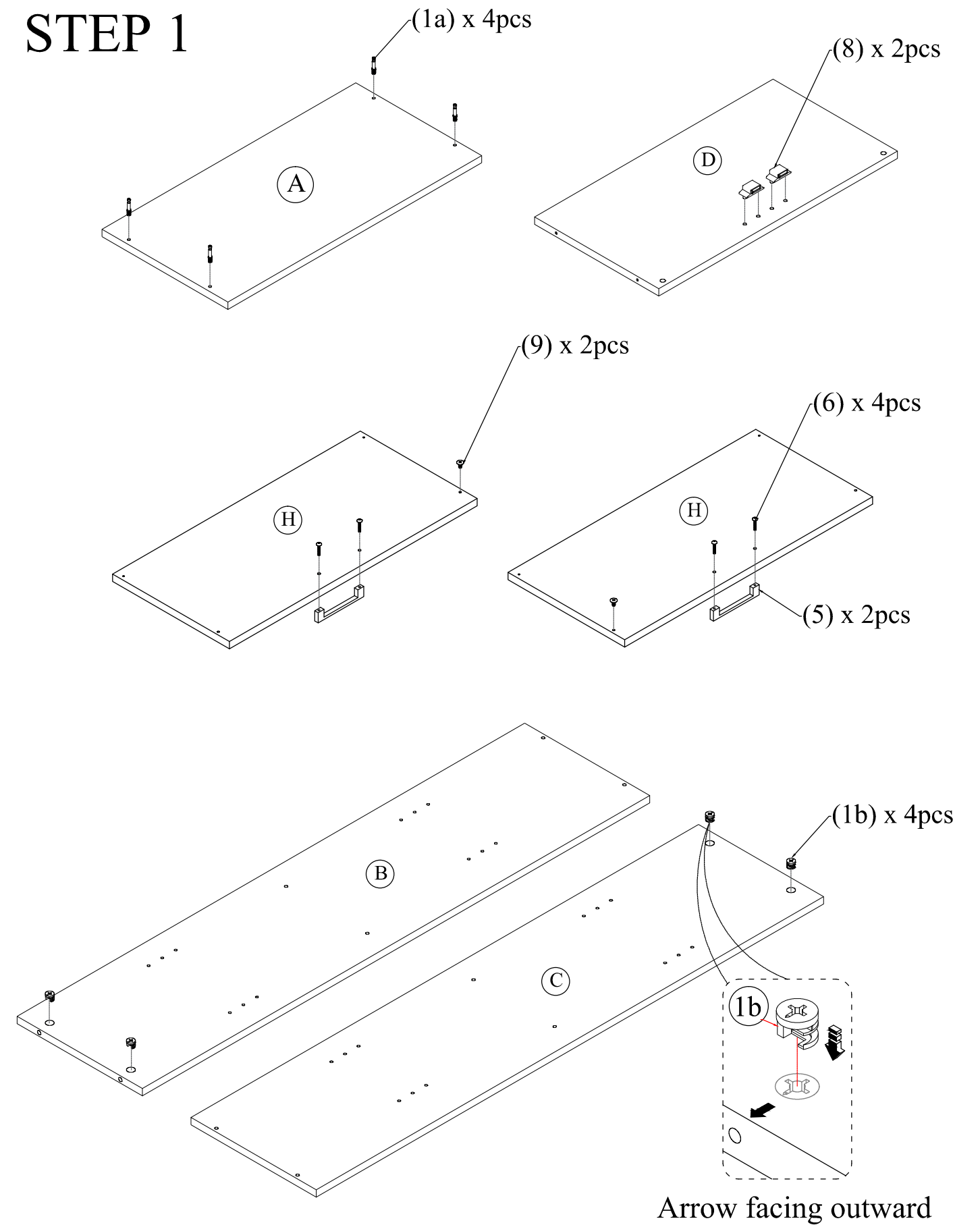
STEP 6.2



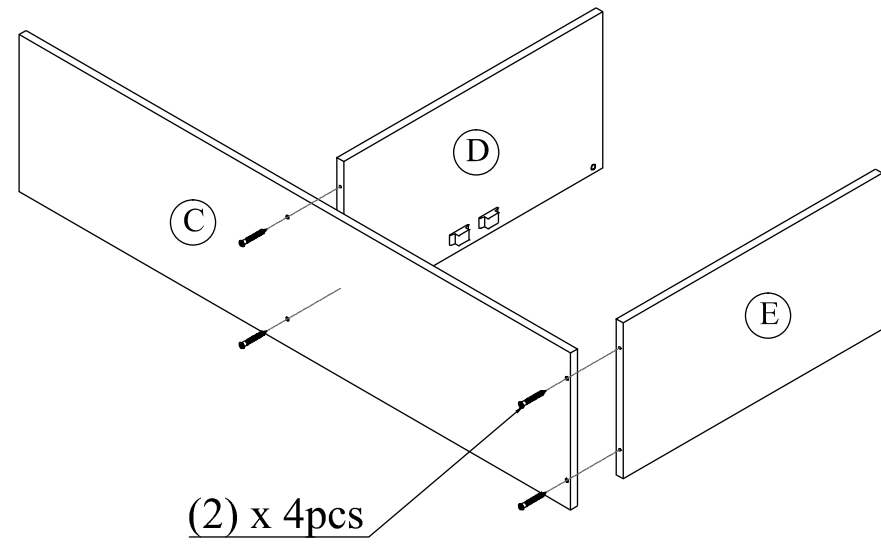
ASSEMBLY INSTRUCTIONS

BEFORE YOU BEGIN, PLEASE READ ASSEMBLY INSTRUCTIONS CAREFULLY, FOLLOW THEM STEP BY STEP.

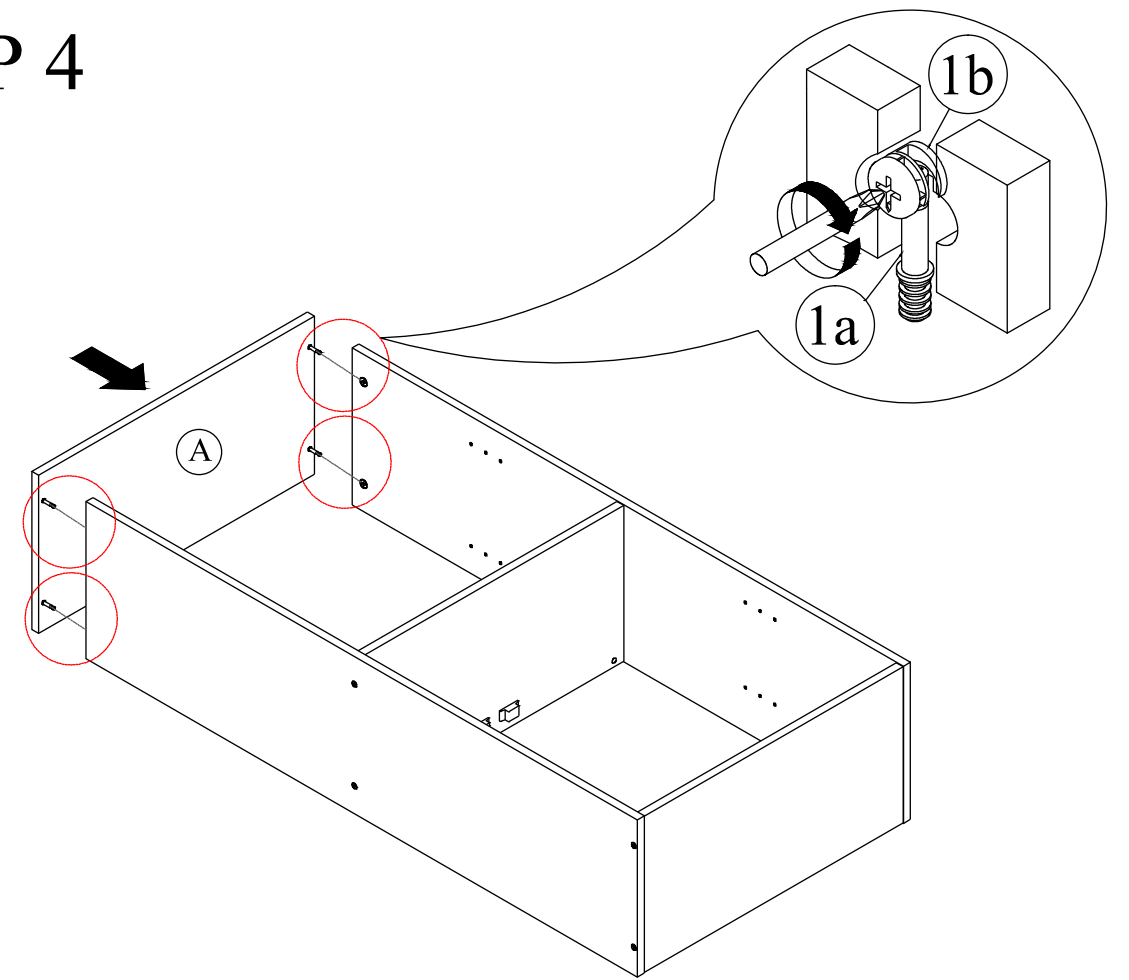
STEP 1



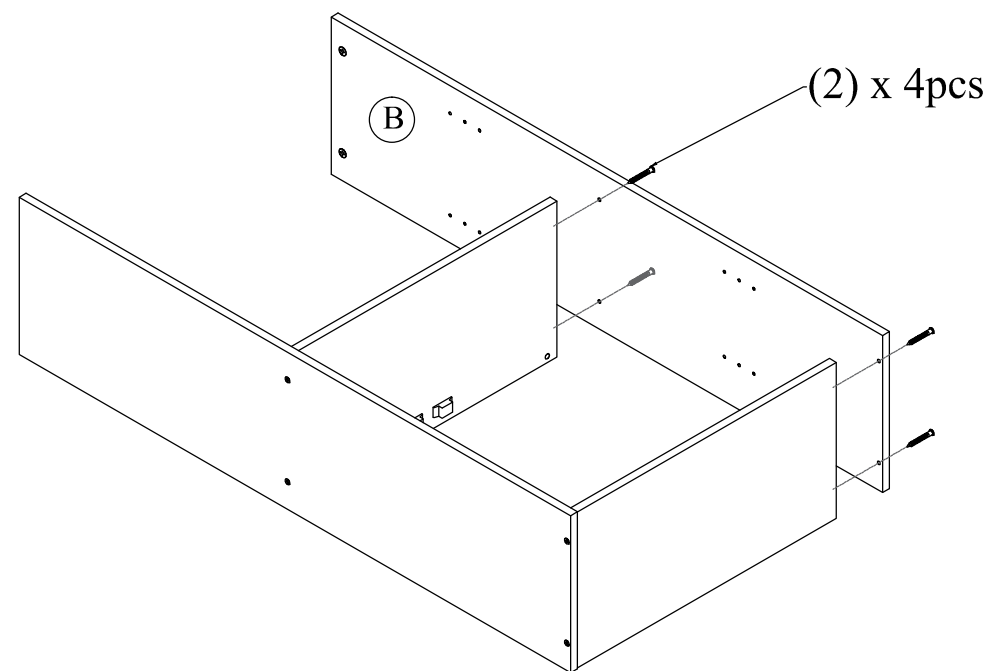
STEP 2



STEP 4



STEP 3



STEP 5

