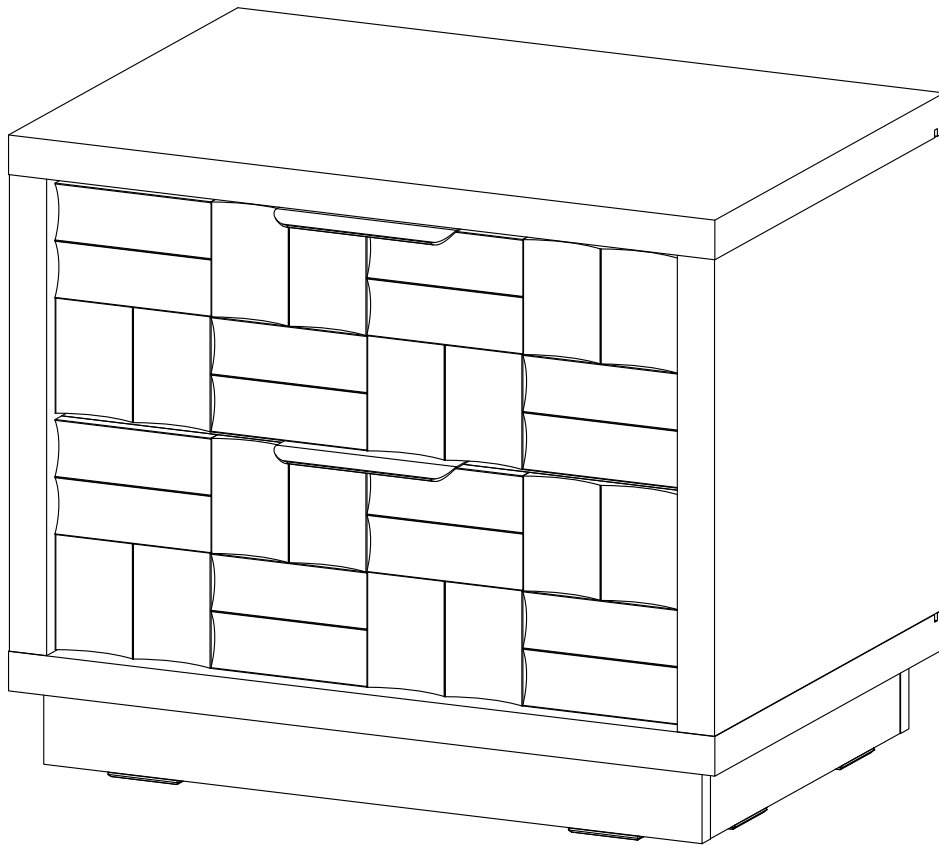
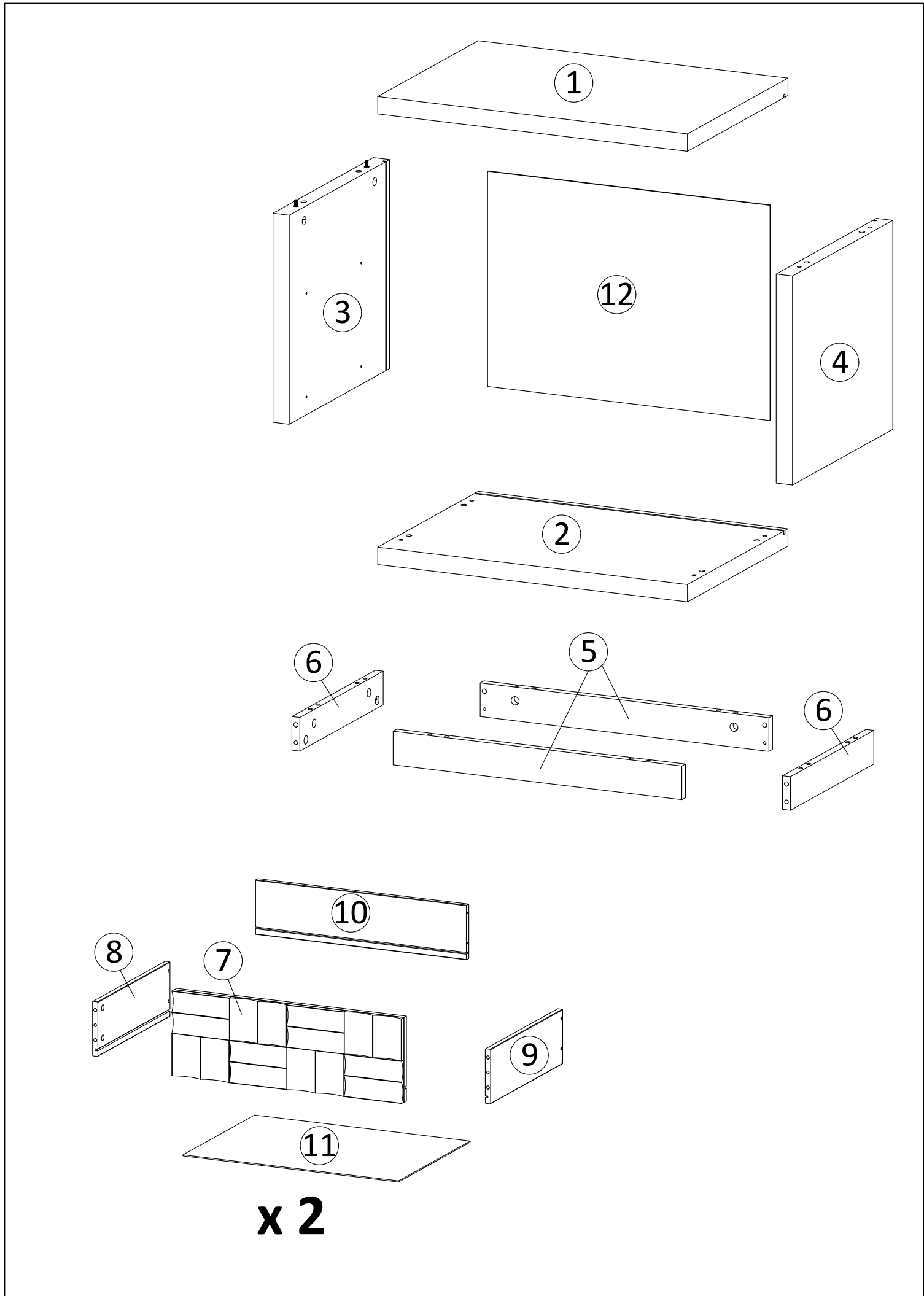


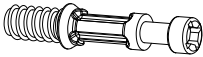
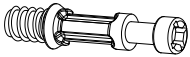
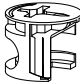



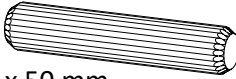

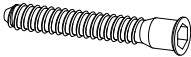


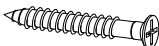


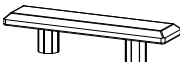
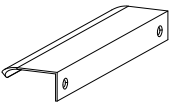
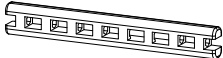
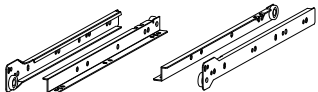
ASSEMBLY INSTRUCTIONS

1340046



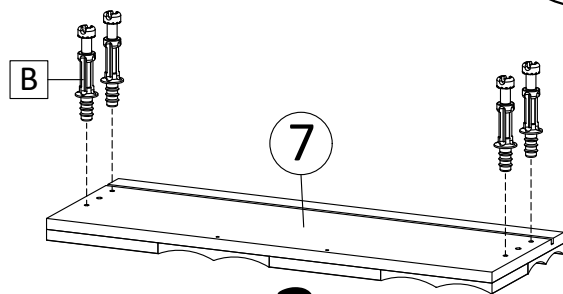
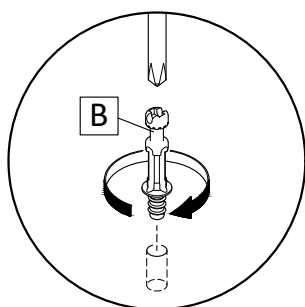
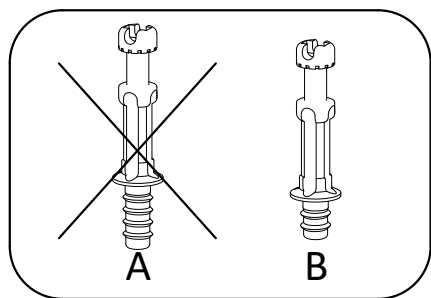


Hardware

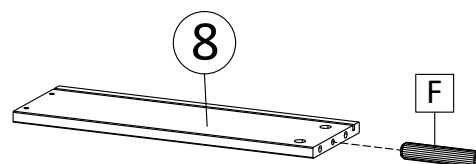
| | | | |
|---|--|--|--|
| <p>A x 16</p>  <p>Ø6 x 35 mm</p> | <p>B x 8</p>  <p>Ø6 x 32 mm</p> | <p>C x 16</p>  <p>Ø15 mm</p> | <p>D x 8</p>  <p>Ø12 mm</p> |
| <p>E x 12</p>  <p>Ø8 x 30 mm</p> | <p>F x 4</p>  <p>Ø6 x 30 mm</p> | <p>G x 8</p>  <p>Ø10 x 50 mm</p> | <p>H x 2</p>  <p>L 4</p> |
| <p>I x 4</p>  <p>M 7 x 50 mm</p> | <p>J x 8</p>  <p>M 6 x 10.5 mm</p> | <p>K x 16</p>  <p>M 3.5 x 13 mm</p> | <p>L x 8</p>  <p>M 4 x 39 mm</p> |
| <p>M x 14</p>  <p>M 3.5 x 15.5 mm</p> | <p>N x 14</p>  | <p>O x 8</p>  | <p>P x 2</p>  |
| <p>Q x 1</p>  | <p>RM35A x 2</p>  <p>350 mm</p> | | |

| | | |
|---|--|---|
|  <p>SET-UP TIME : 45 MINUTES</p> |  <p>NUMBER OF PERSONS : 02</p> |  <p>TOOLS : </p> |
|---|--|---|

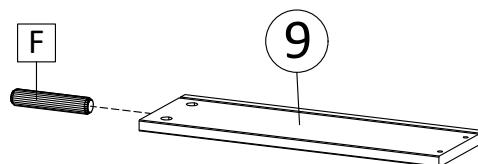
1



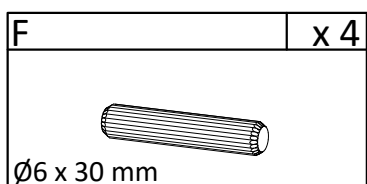
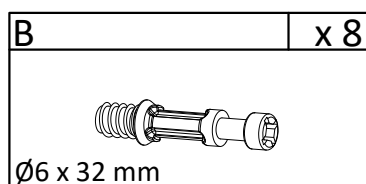
x 2



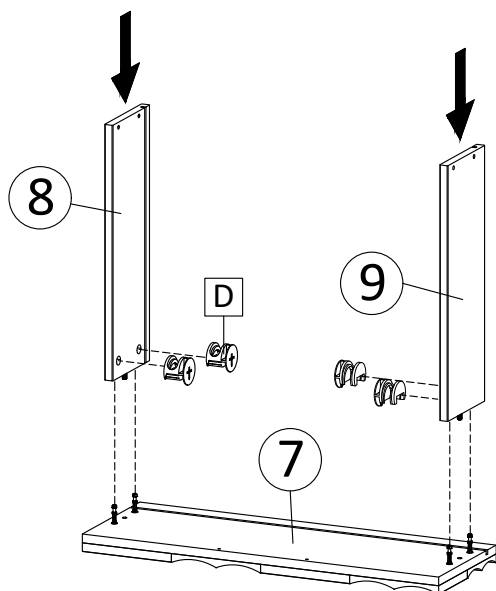
x 2



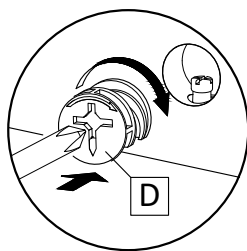
x 2



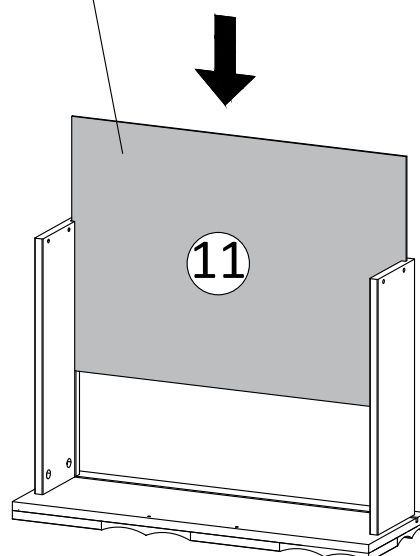
2



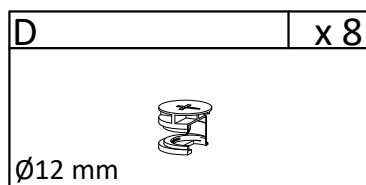
x 2

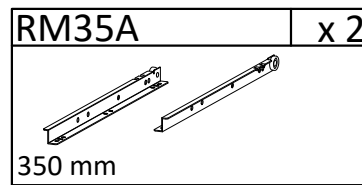
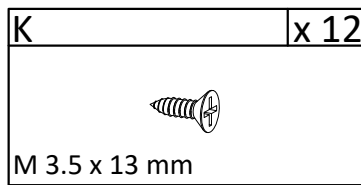
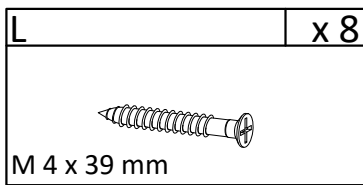
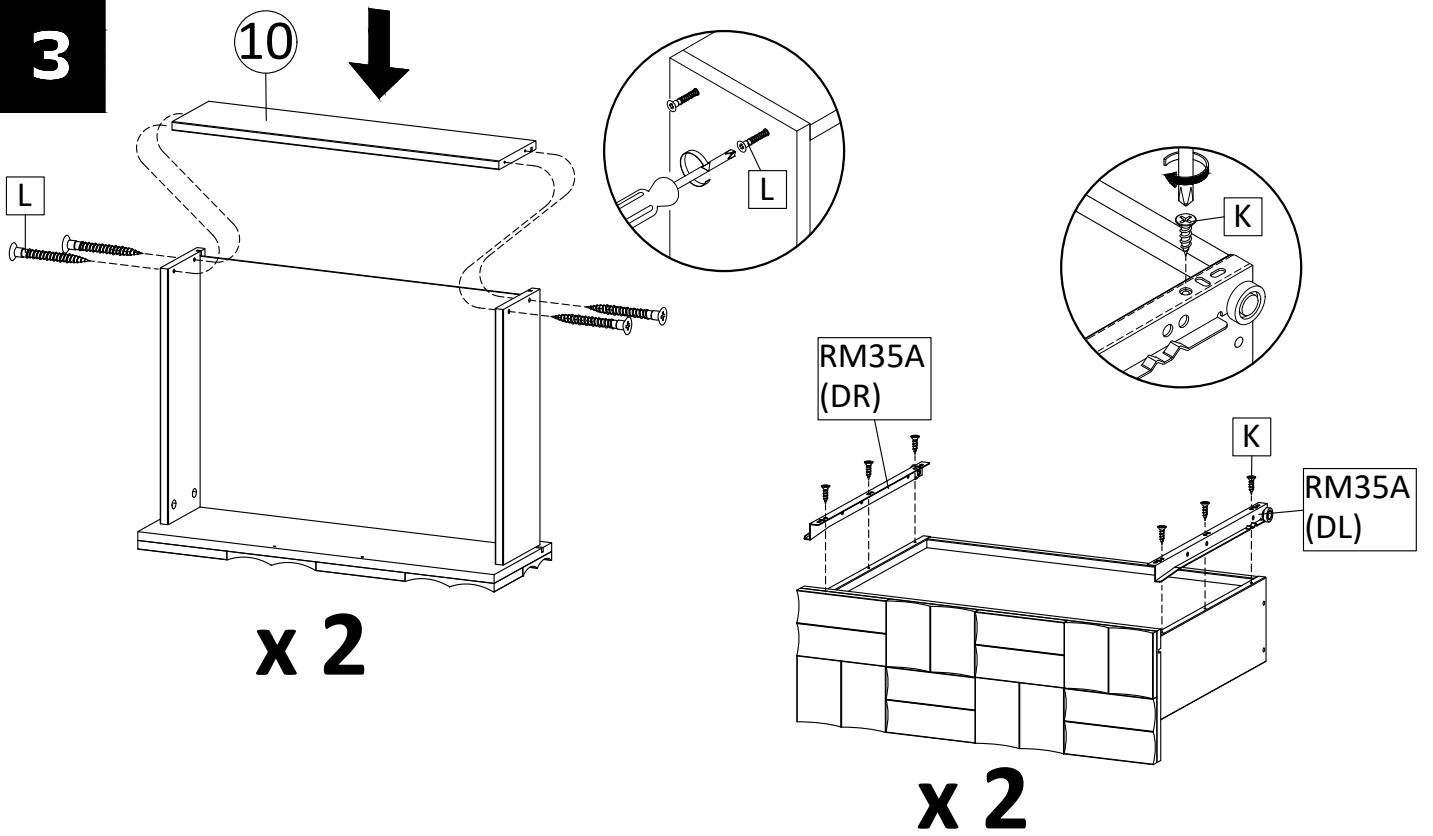
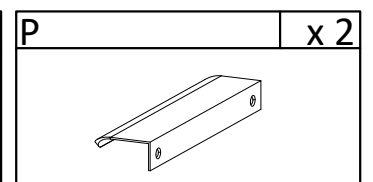
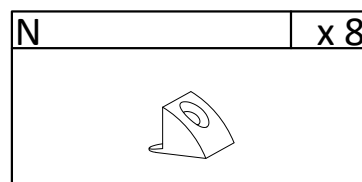
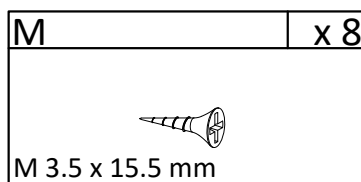
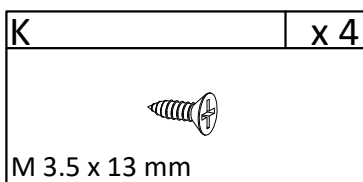
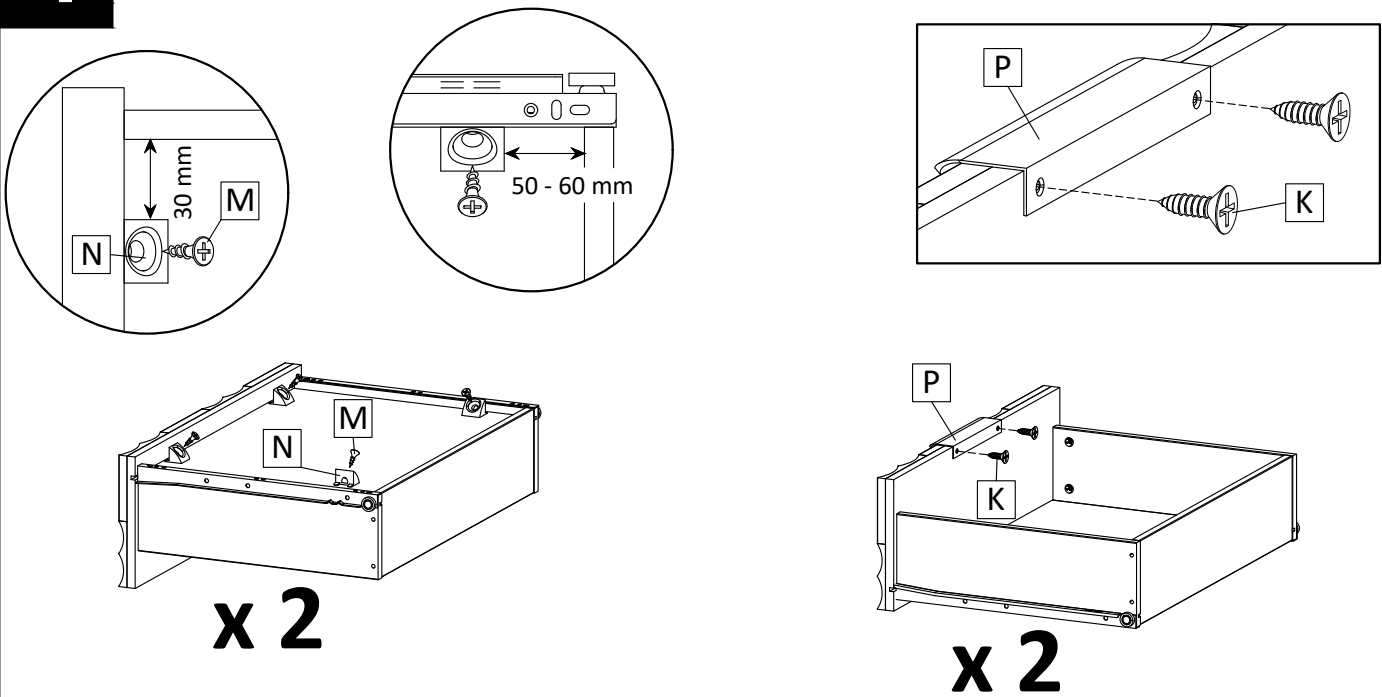


Laminated

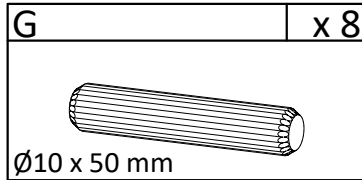
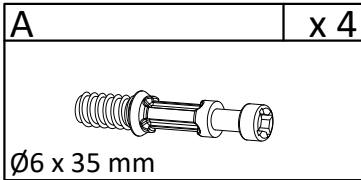
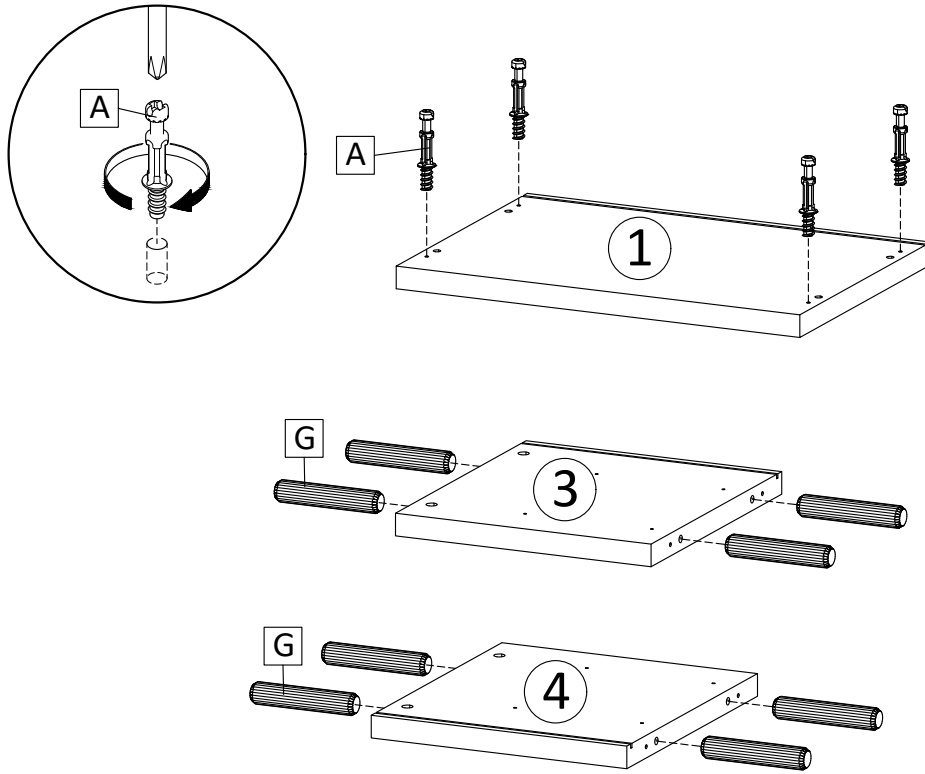


x 2

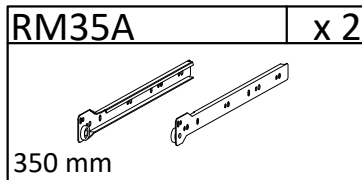
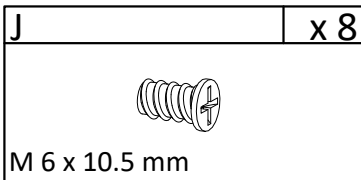
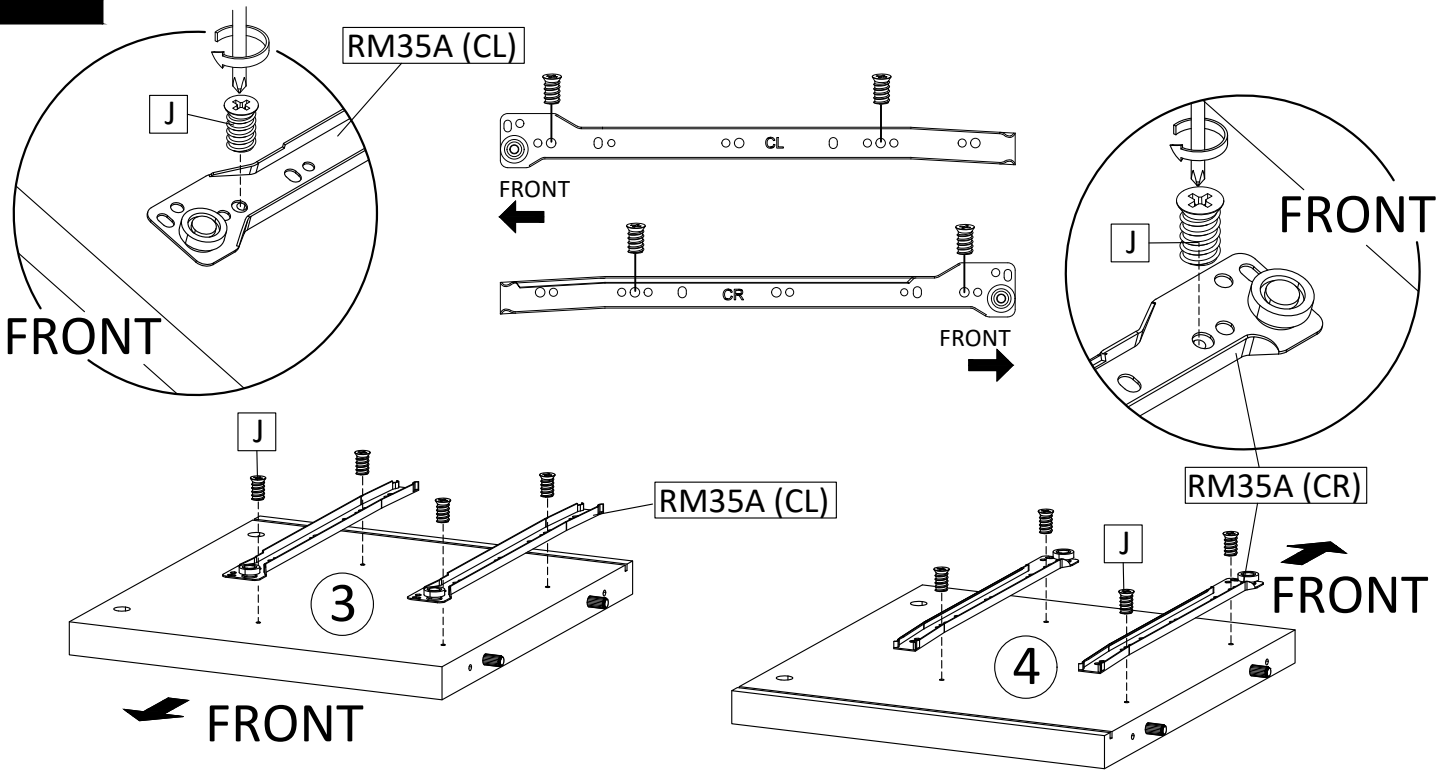


3**4**

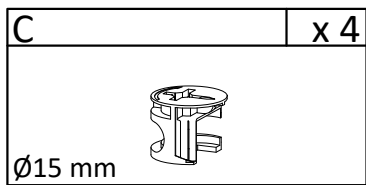
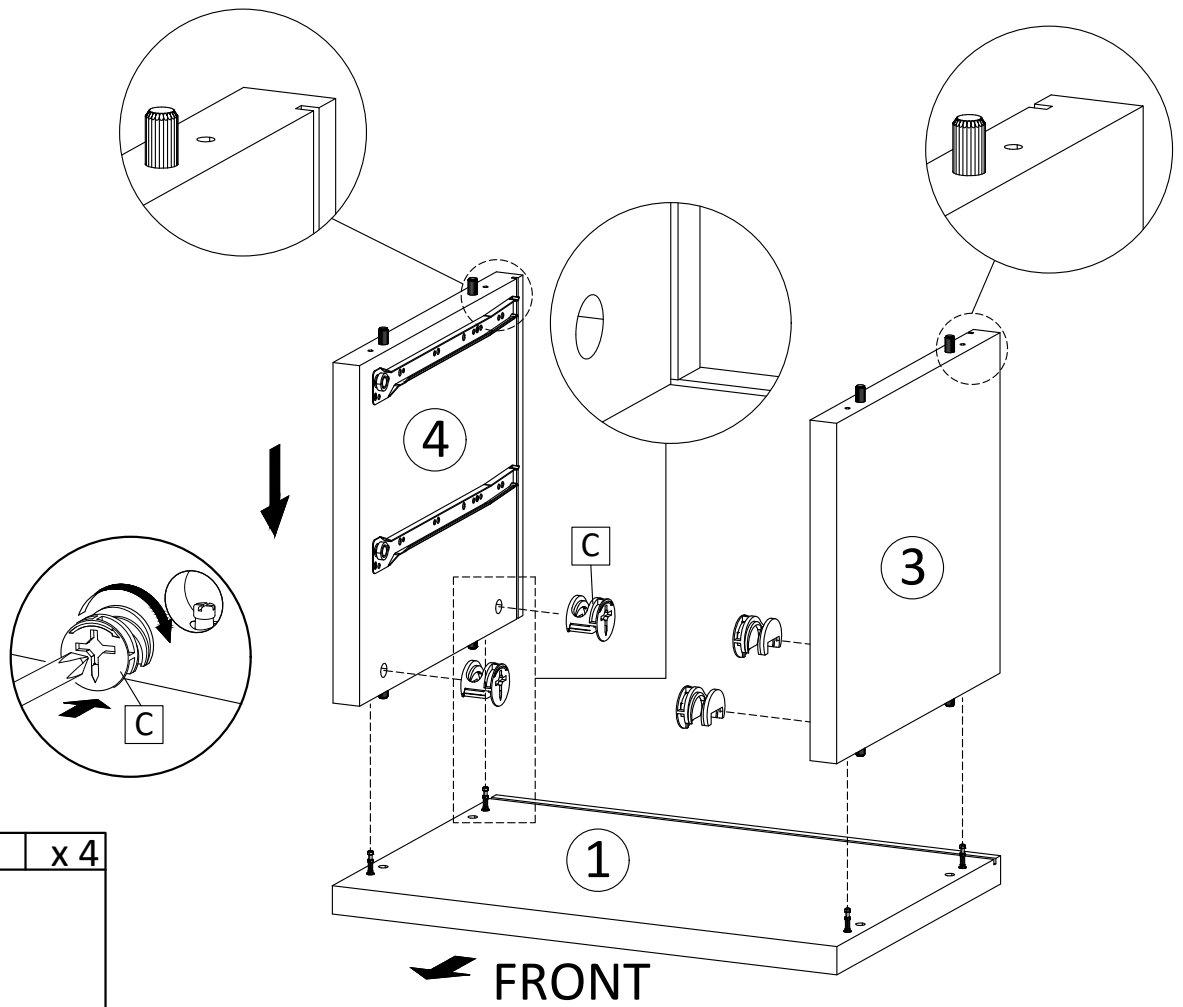
5



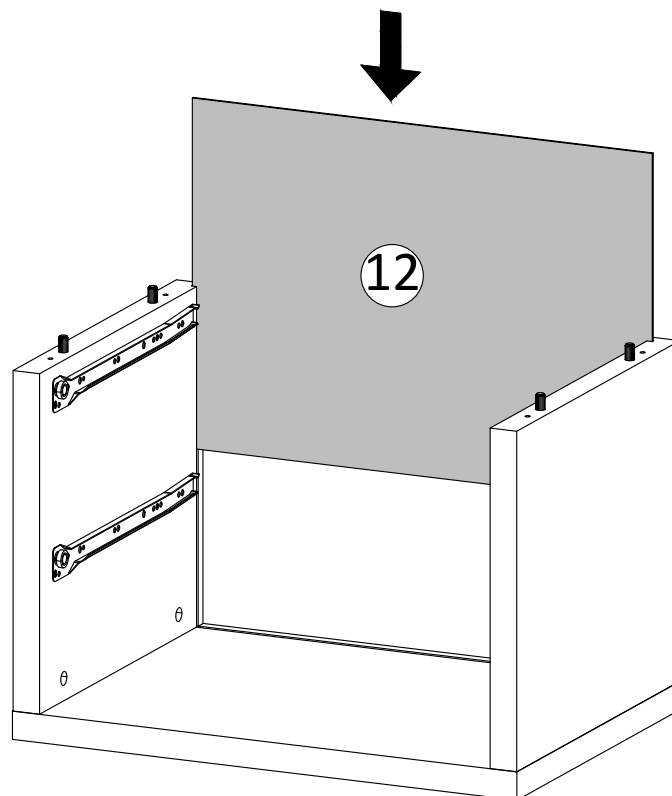
6



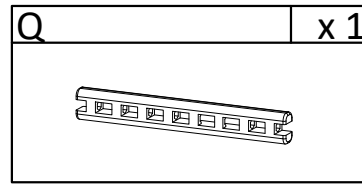
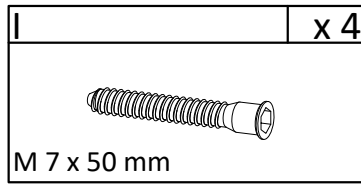
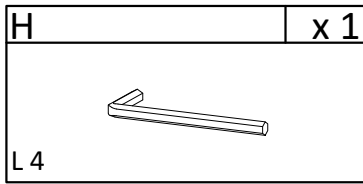
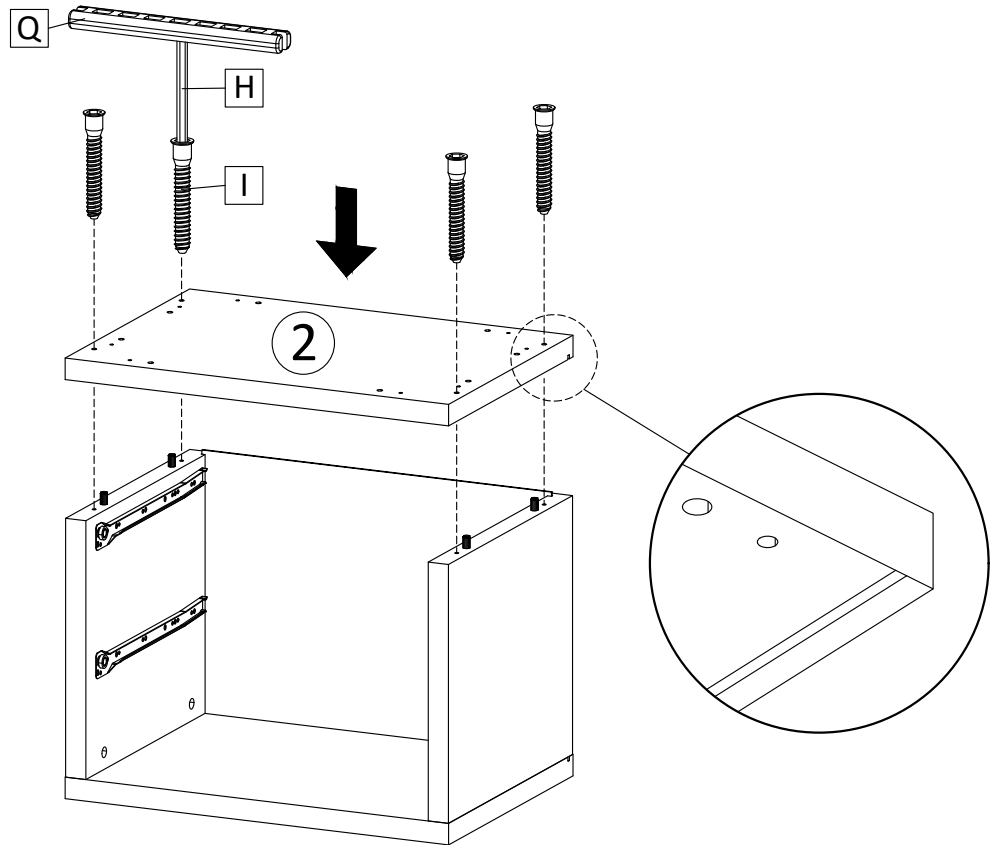
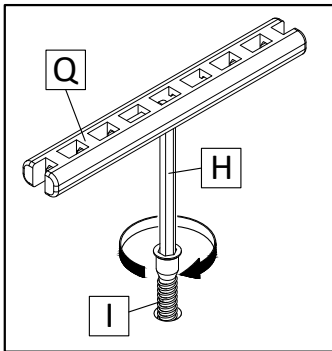
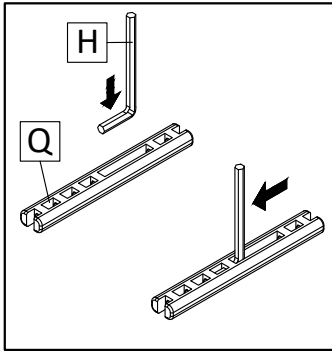
7



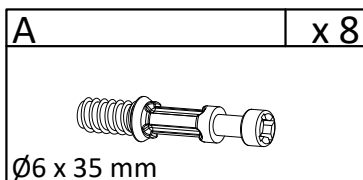
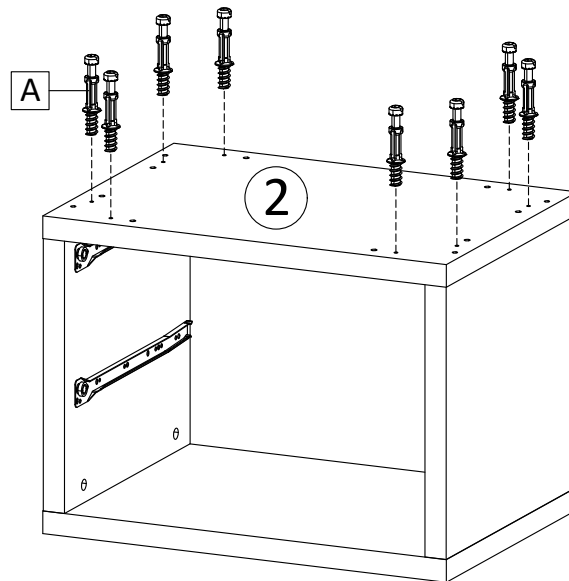
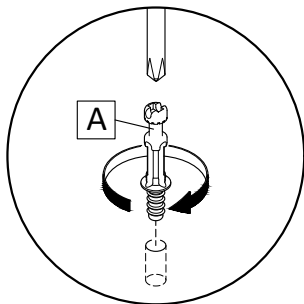
8



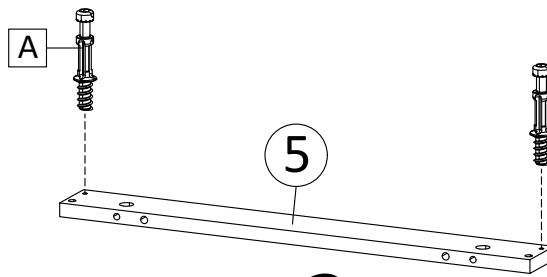
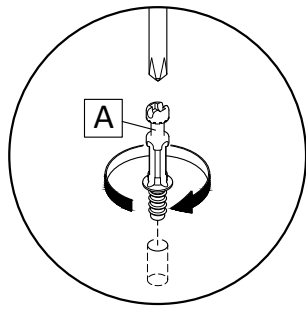
9



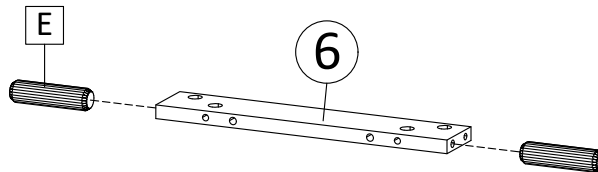
10



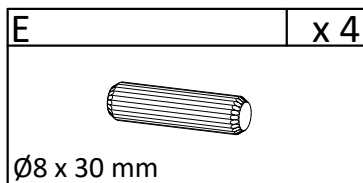
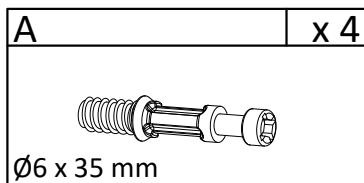
11



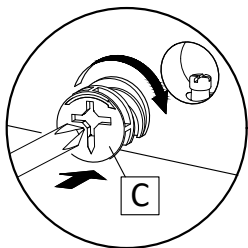
x 2



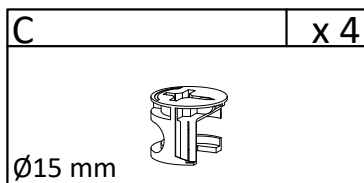
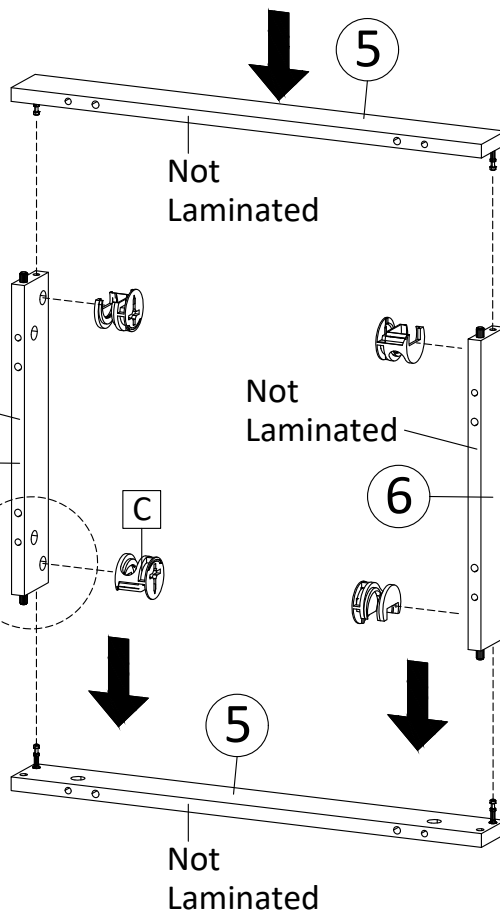
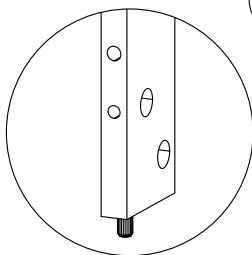
x 2



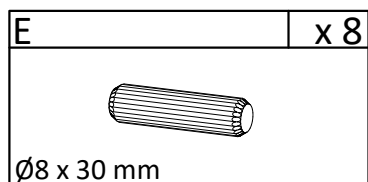
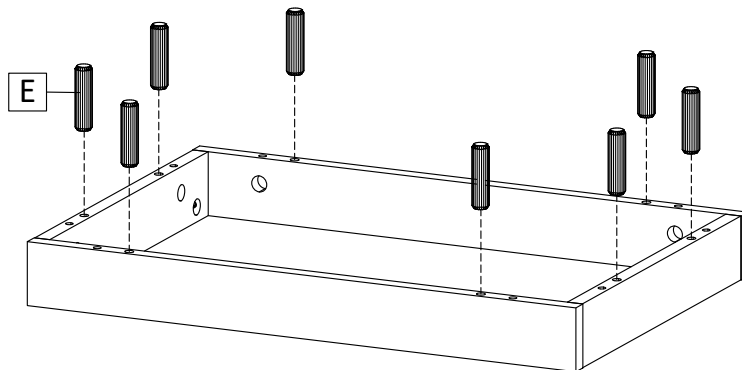
12



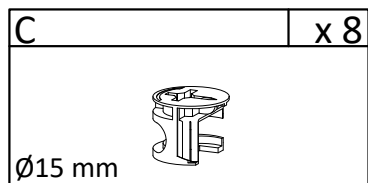
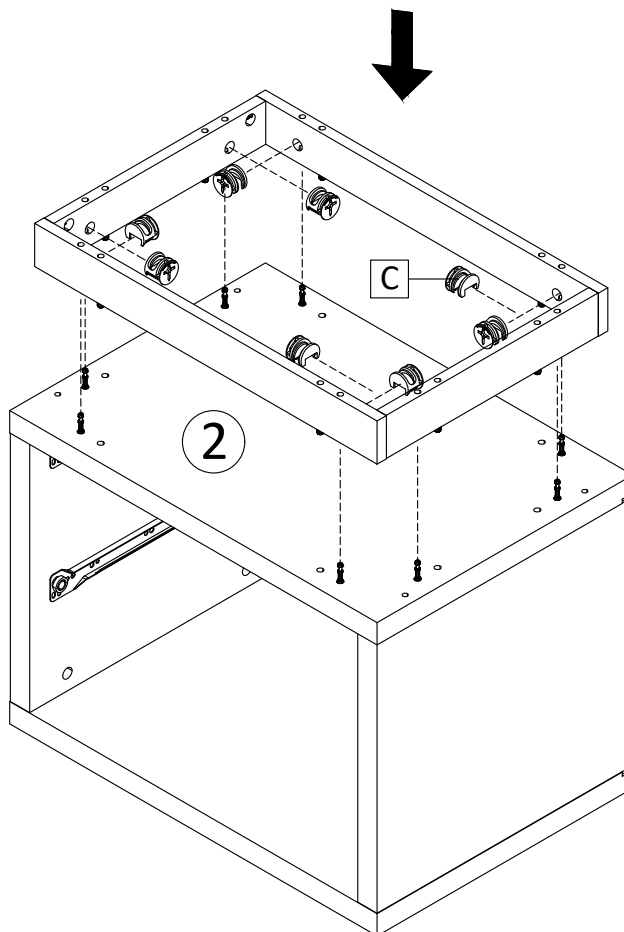
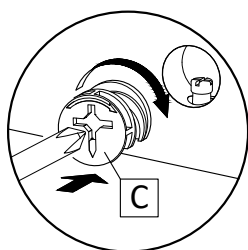
Not Laminated



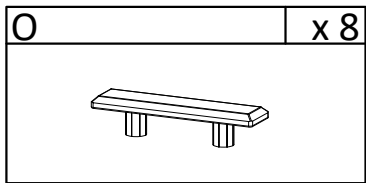
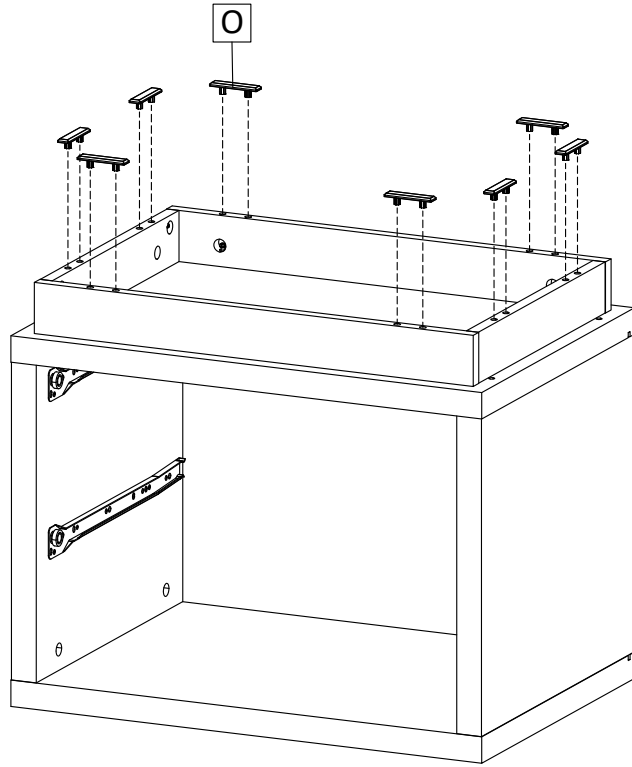
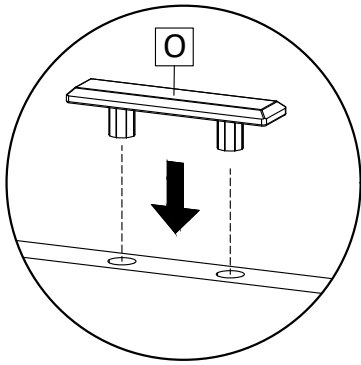
13



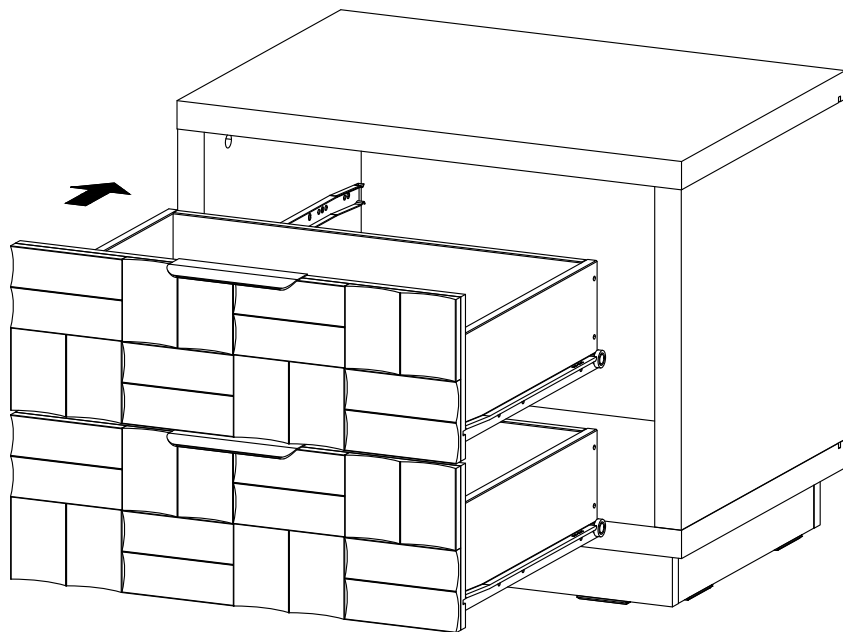
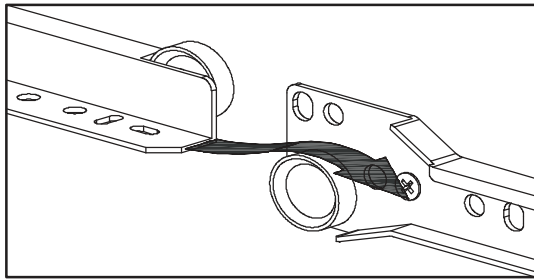
14



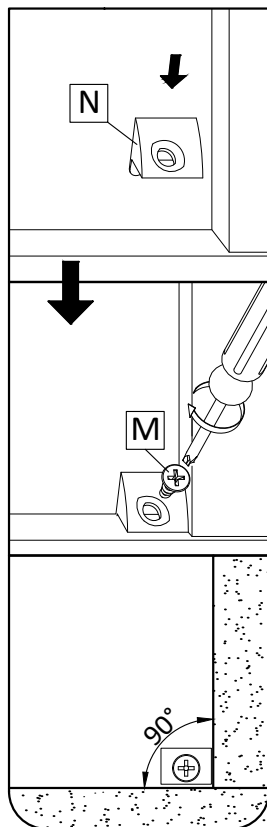
15





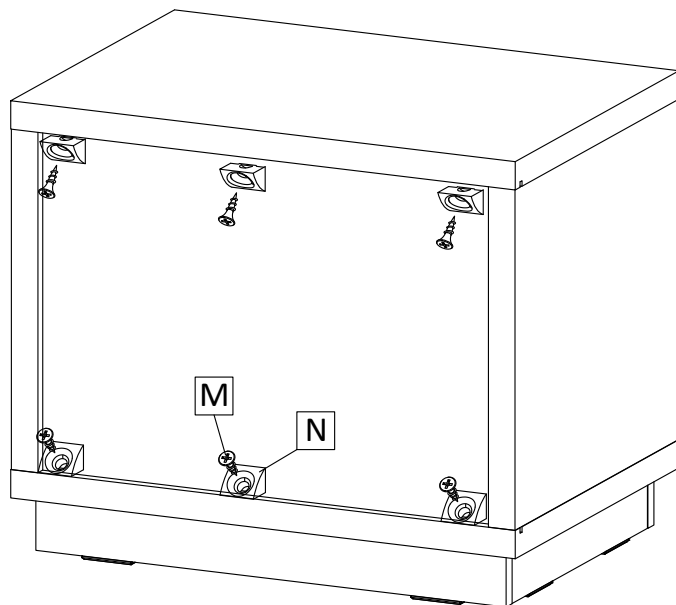
16



17



| | |
|--|-----|
| M | x 6 |
|  M 3.5 x 15.5 mm | |
| N | x 6 |
|  | |



18

