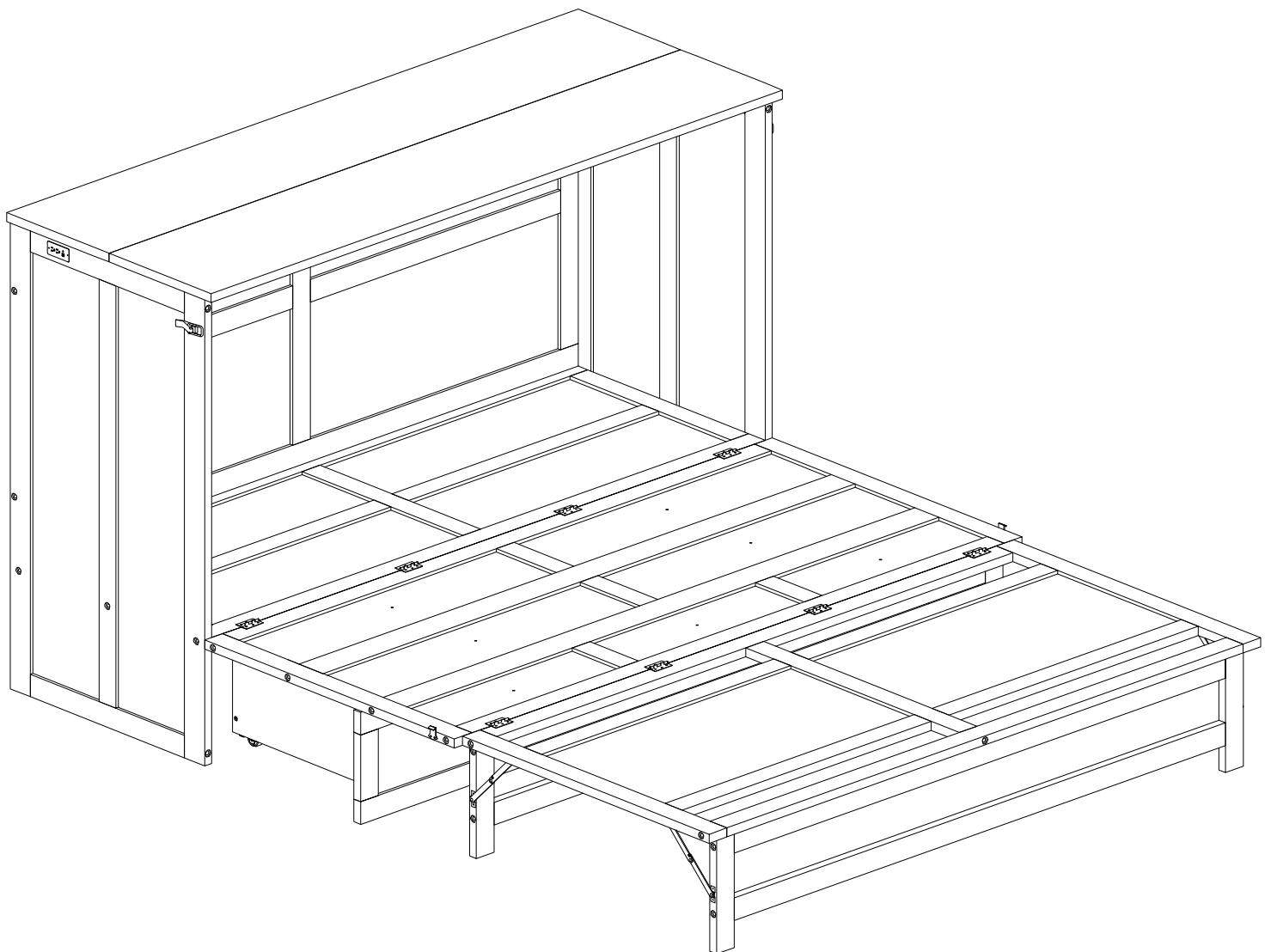


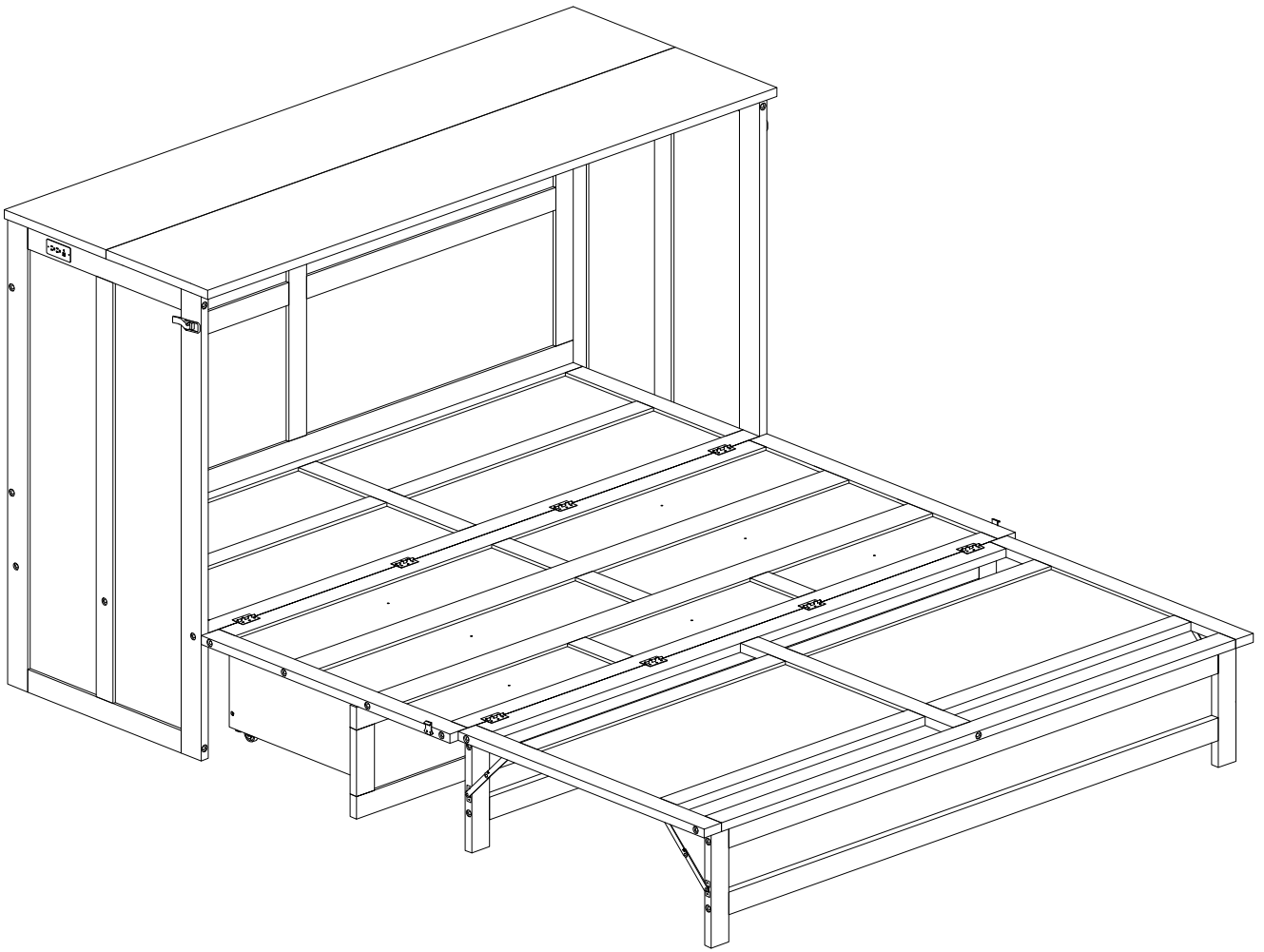
ASSEMBLY INTRUCTIONS

SKU CODE: (SD33004/SD33005)

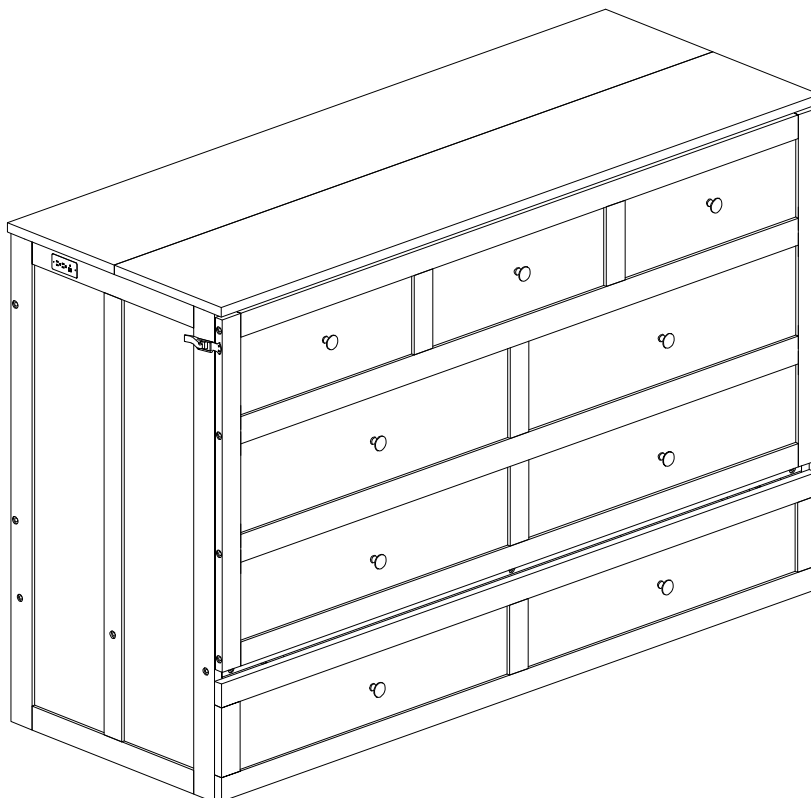
ITEM NAME:FULL/QUEEN MURPHY BED



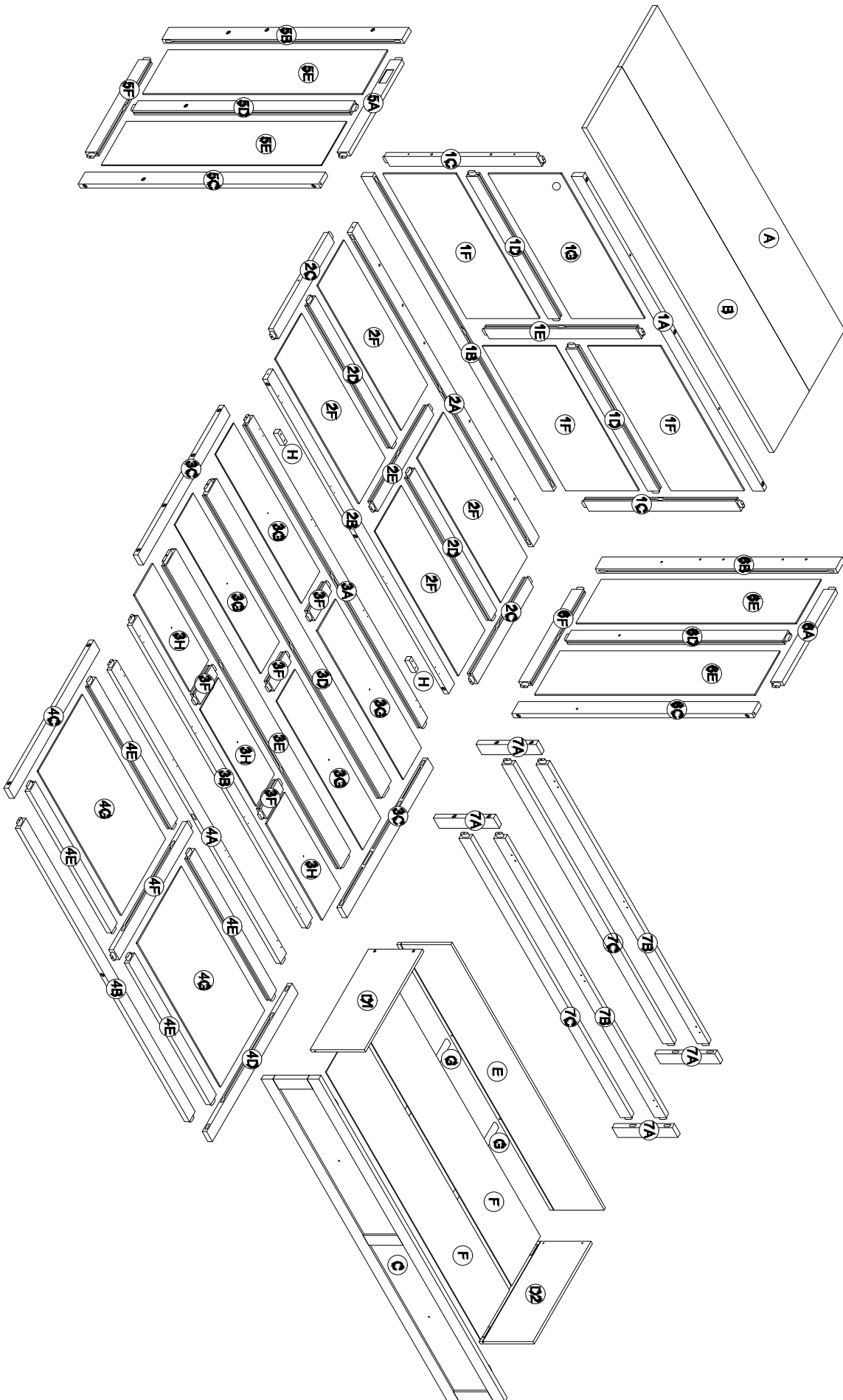
OPTION 1



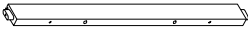
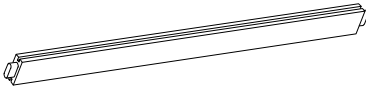

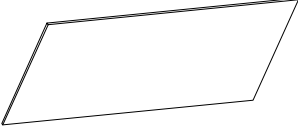






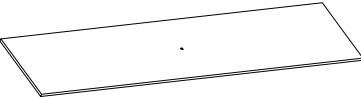
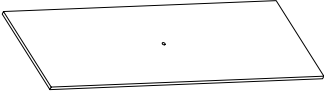

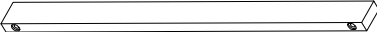



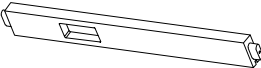


OPTION 2



ASSEMBLY INSTRUCTION



Part List & Hardware List (Box 1)

<p>1C</p>  <p>L/R Vertical bar (2pcs)</p>	<p>1D</p>  <p>Center horizontal bar (2pcs)</p>	<p>1E</p>  <p>Center Vertical bar (1pc)</p>
<p>1F</p>  <p>Back Panel (3pcs)</p>	<p>1G</p>  <p>Back Panel with cable hole (1pc)</p>	<p>2C</p>  <p>L/R Vertical bar (2pcs)</p>
<p>2D</p>  <p>Center horizontal bar (2pcs)</p>	<p>2E</p>  <p>Center Vertical bar (1pc)</p>	<p>2F</p>  <p>Support Panel (4pcs)</p>
<p>3C</p>  <p>L/R Vertical bar (2pcs)</p>	<p>3G</p>  <p>Support Panel (4pcs)</p>	<p>3H</p>  <p>Small Support Panel (3pcs)</p>
<p>3F</p>  <p>Center Vertical bar (4pcs)</p>	<p>4C</p>  <p>Left Vertical bar (1pc)</p>	<p>4D</p>  <p>Right Vertical bar (1pc)</p>
<p>4E</p>  <p>Center horizontal bar (4pcs)</p>	<p>4F</p>  <p>Center Vertical bar (1pc)</p>	
<p>5A</p>  <p>Top bar (1pc)</p>	<p>5D</p>  <p>Center Vertical bar (1pc)</p>	<p>5E</p>  <p>Support Panel (2pcs)</p>

Part List & Hardware List (Box 1)

5F



Bottom bar (1pc)

6A



Top bar (1pc)

6F



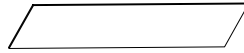
Bottom bar (1pc)

6D



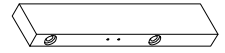
Center Vertical bar (1pc)

6E



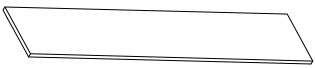

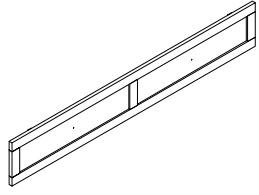
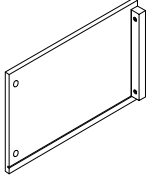
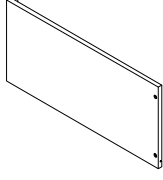
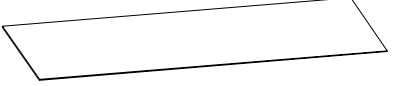
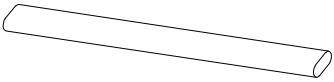
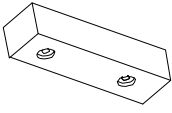






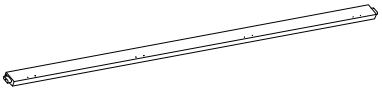






Support Panel (2pcs)

7A



Legs (4pcs)

Part List (Box 2)

<p>A</p>  <p>Rear top panel (1pc)</p>	<p>B</p>  <p>Front top panel (1pc)</p>	<p>C</p>  <p>Drawer front -1pc</p>
<p>D1</p>  <p>Left drawer side (1pc)</p>	<p>D2</p>  <p>Right drawer side (1pc)</p>	<p>F</p>  <p>Drawer bottom panel (2pcs)</p>
<p>G</p>  <p>Bottom Support bar (2pcs)</p>	<p>H</p>  <p>Block the Drawer (2pcs)</p>	<p>E</p>  <p>Drawer back (1pc)</p>
<p>1A</p>  <p>Upper horizontal bar (1pc)</p>	<p>1B</p>  <p>Bottom horizontal bar (1pc)</p>	<p>2A</p>  <p>horizontal bar (1pc)</p>
<p>2B</p>  <p>horizontal bar (1pc)</p>	<p>3A</p>  <p>horizontal bar (1pc)</p>	<p>3B</p>  <p>horizontal bar (1pc)</p>
<p>3D</p>  <p>horizontal bar (1pc)</p>	<p>3E</p>  <p>horizontal bar (1pc)</p>	<p>4A</p>  <p>horizontal bar (1pc)</p>
<p>4B</p>  <p>horizontal bar (1pc)</p>	<p>5B</p>  <p>Left Vertical bar (1pc)</p>	<p>5C</p>  <p>Right Vertical bar (1pc)</p>

Part List (Box 2)

6B



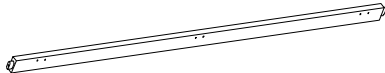
Left Vertical bar (1pc)

6C



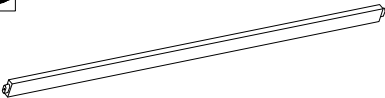
Right Vertical bar (1pc)

7B



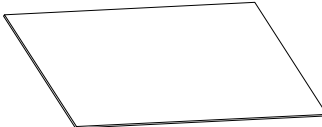
Upper Support rail (2pcs)

7C




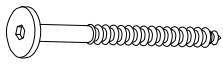
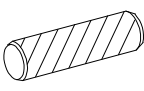
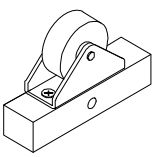
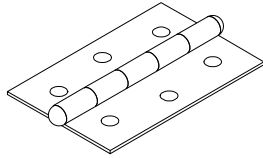
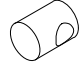
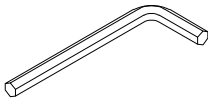
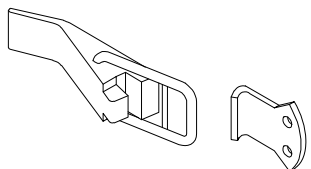

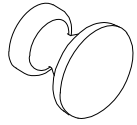

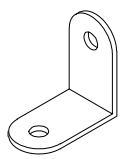
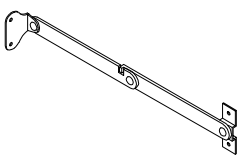
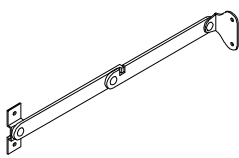

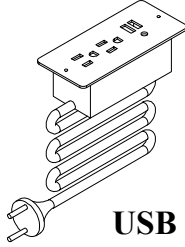
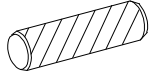
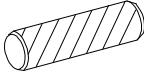

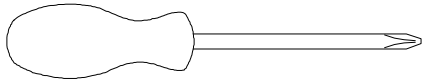
Bottom Support rail (2pcs)

4G

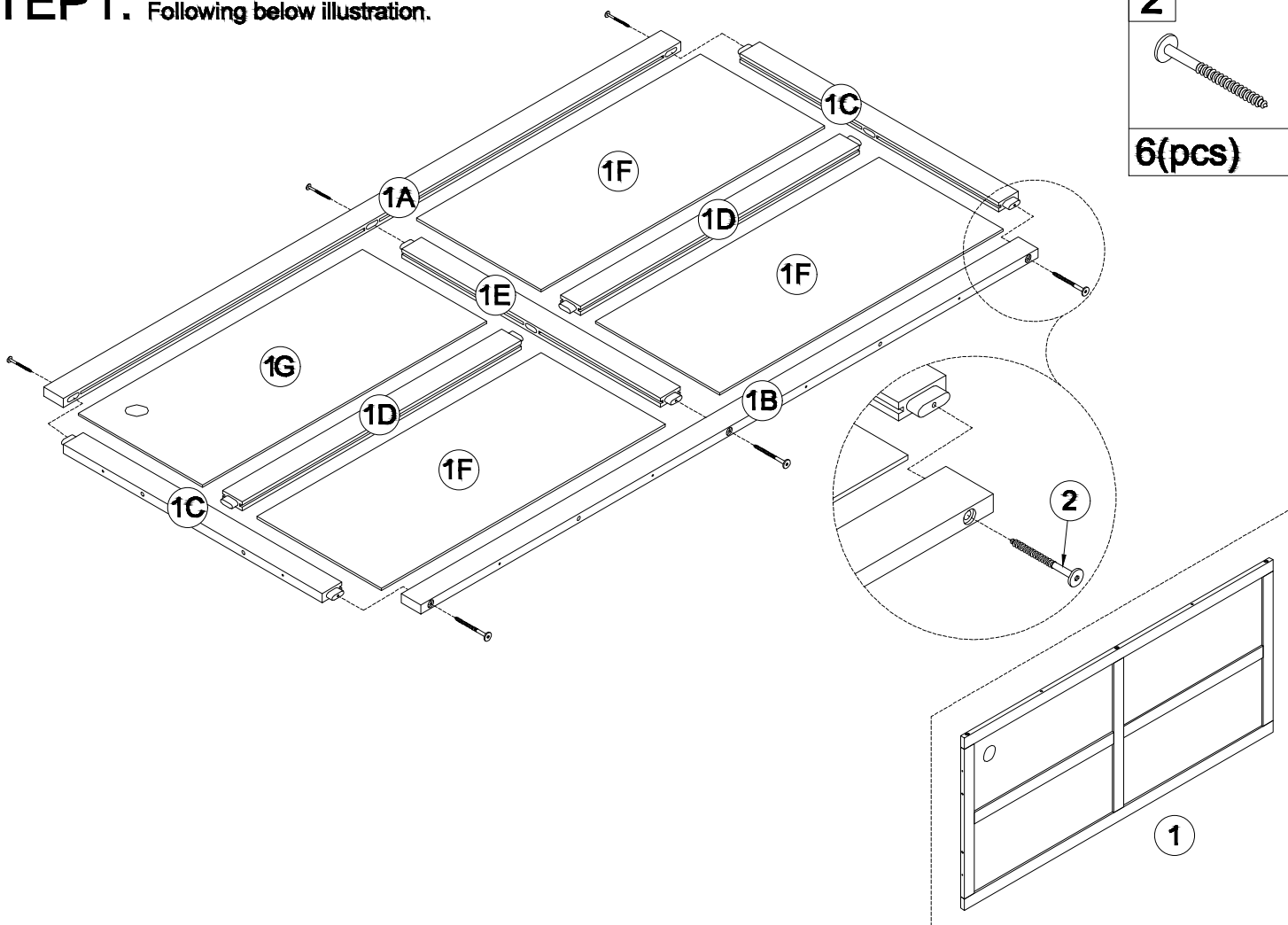


Support Panel (2pcs)

Hardware List (Box 1)

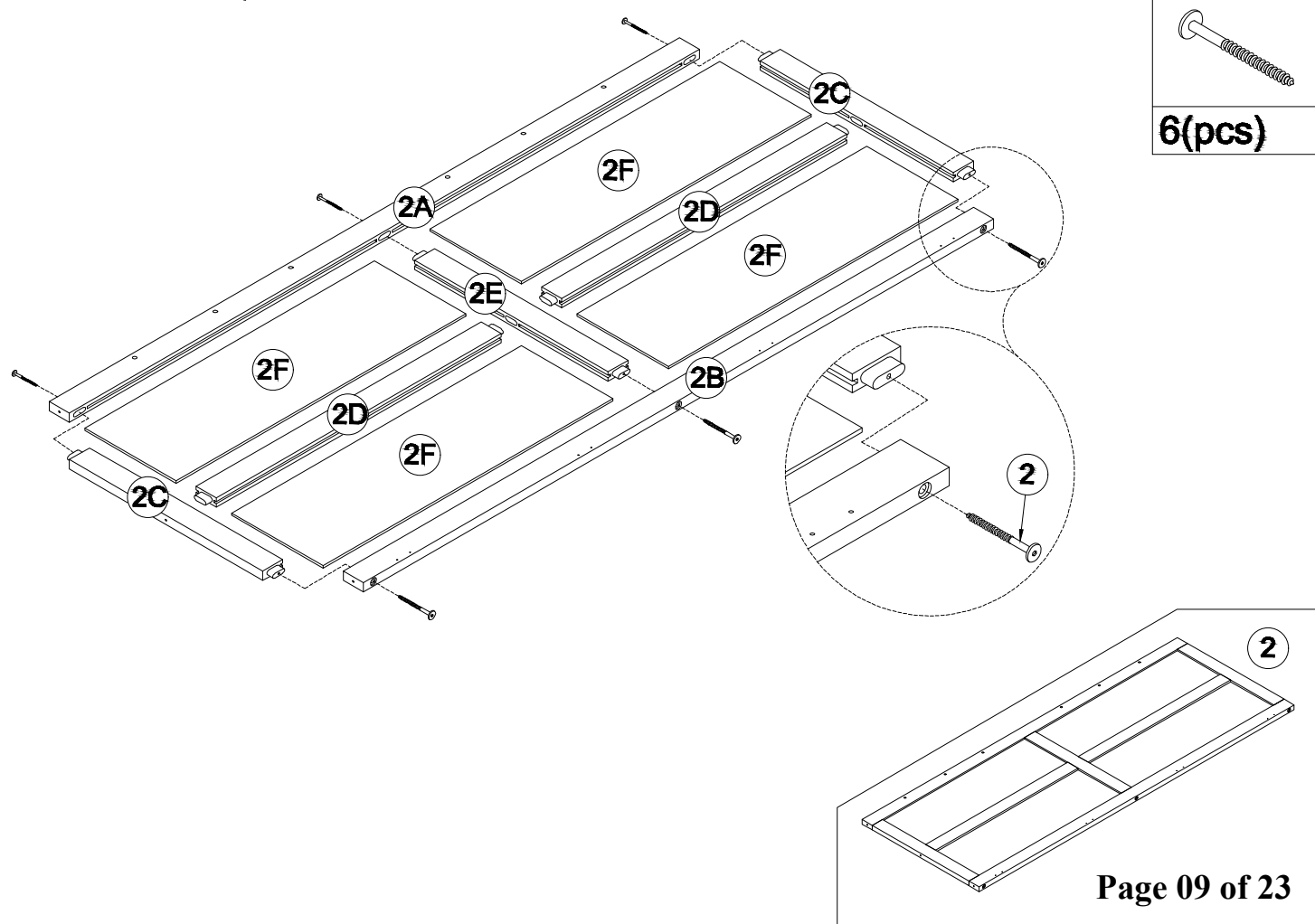
<p>1</p>  <p>Hex - Head Screws Ø1/4"*40 - 14pcs</p>	<p>2</p>  <p>Hex - Head Screws Ø1/4"*60 - 42pcs</p>	<p>3</p>  <p>Wood dowel Ø8*30mm - 10pcs</p>
<p>4</p>  <p>Wheels 4pcs</p>	<p>5</p>  <p>Hinge 14pcs</p>	<p>6</p>  <p>Horizontal-Hole nuts Ø8*8mm - 4pcs</p>
<p>7</p>  <p>Allen Key 1pc</p>	<p>8</p>  <p>Duckbill Lock 2sets</p>	<p>9</p>  <p>Pan-Head m4*15mm- 9pcs</p>
<p>10</p>  <p>Wooden Knob 9pcs</p>	<p>11</p>  <p>Wood Screws m4*30mm - 16pcs</p>	<p>12</p>  <p>Bracket 10pcs</p>
<p>13</p>  <p>Left Foldable hinge 2pcs</p>	<p>14</p>  <p>Right Foldable hinge 2pcs</p>	<p>15</p>  <p>Wood Screws m3*15mm - 128pcs</p>
<p>16</p>  <p>USB outlet 1pc</p>	<p>17</p>  <p>Wood dowel Ø10*20mm - 4pcs</p>	<p>18</p>  <p>Wood dowel Ø6*20mm - 4pcs</p>
<p>19</p>  <p>Wood Screws m4*25mm - 8pcs</p>	<p>Assembly Tools Required (Not Included)</p> 	

STEP1: Following below illustration.



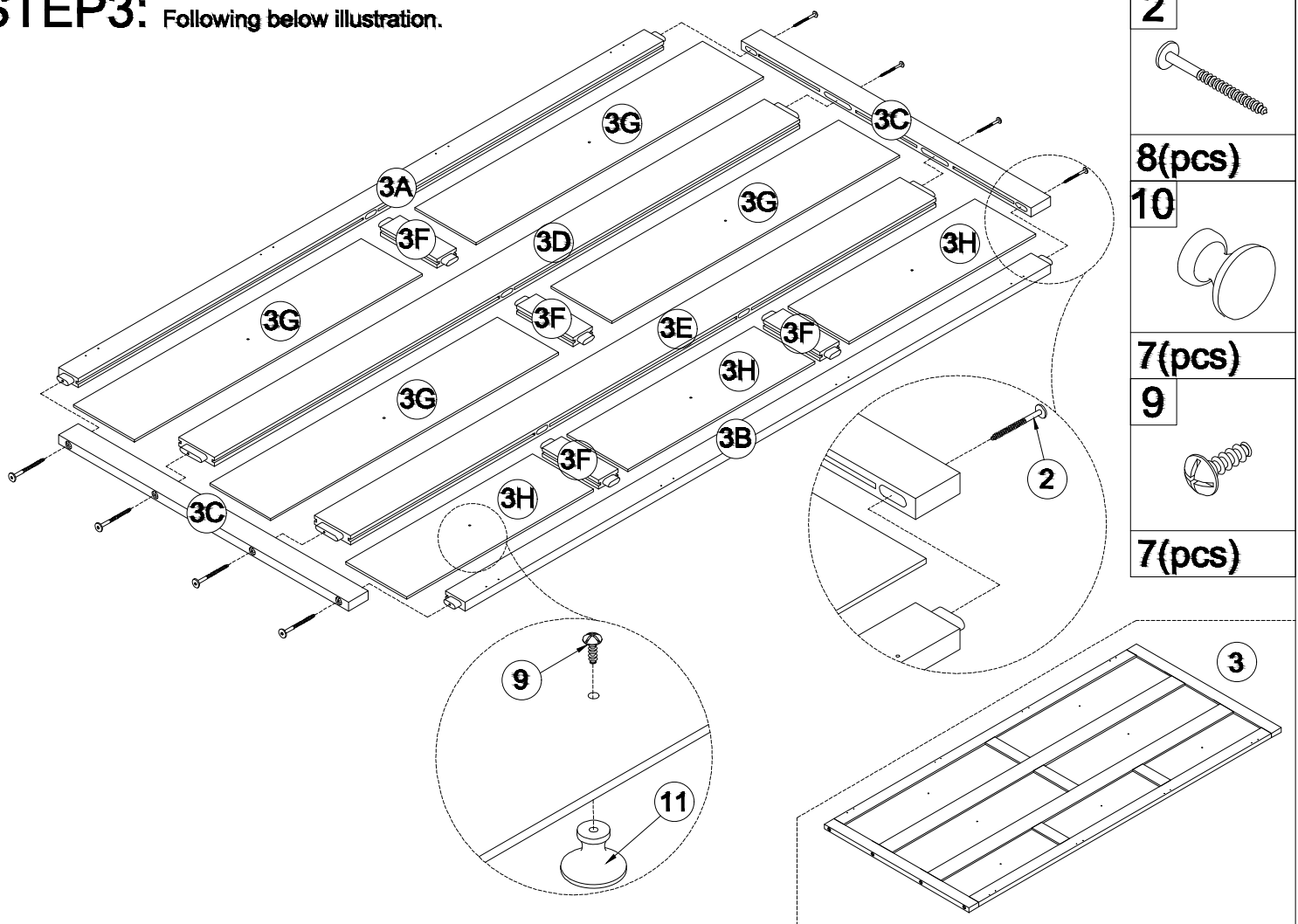
2
6(pcs)

STEP2: Following below illustration.

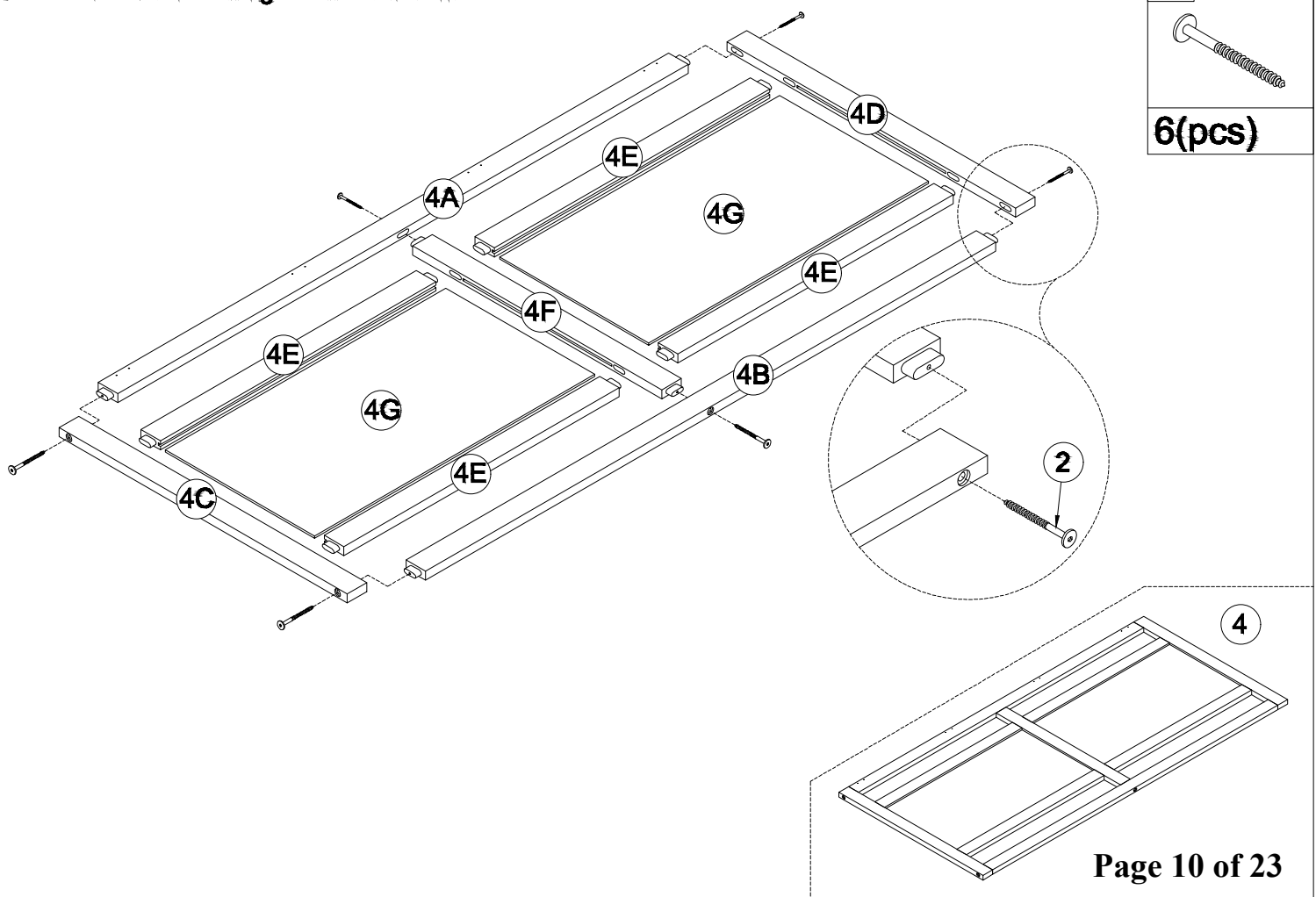


2
6(pcs)

STEP3: Following below illustration.

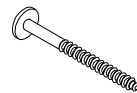


STEP4: Following below illustration.

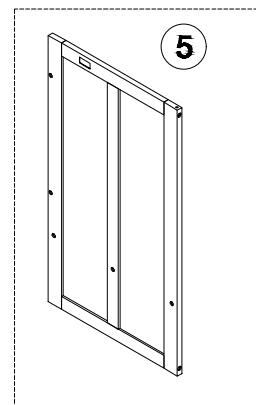
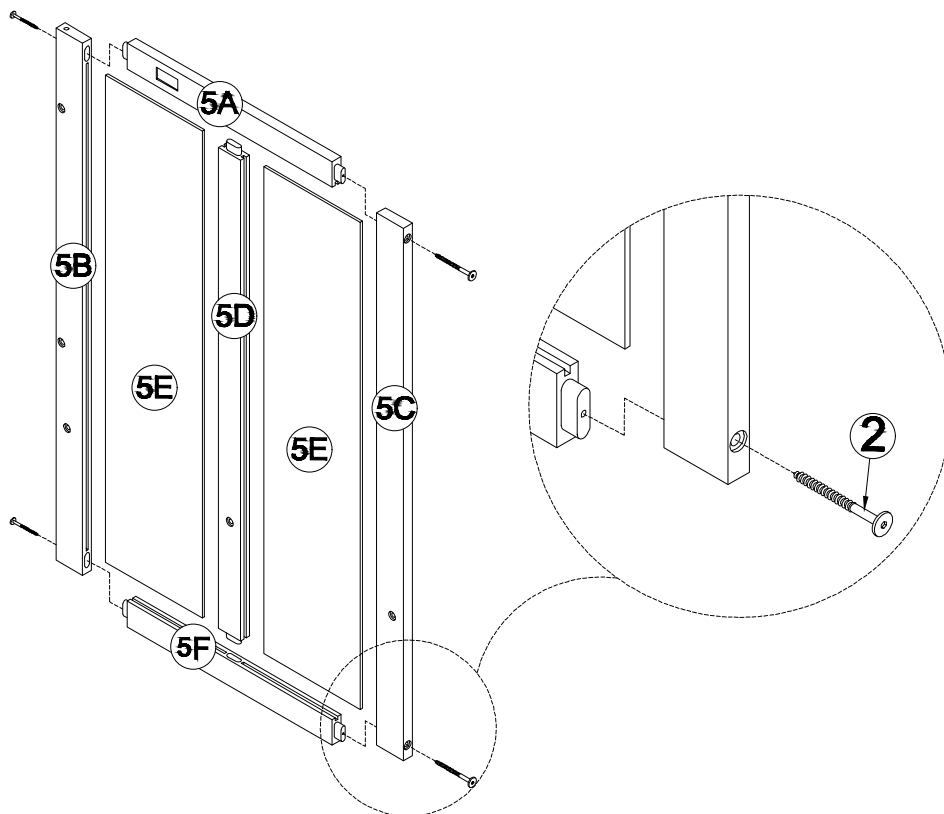


STEP5: Following below illustration.

2

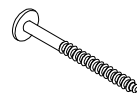


4(pcs)

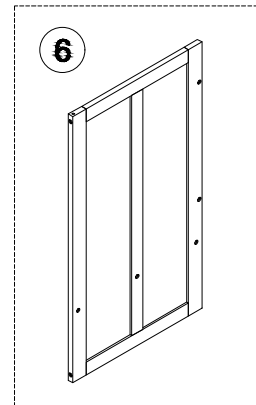
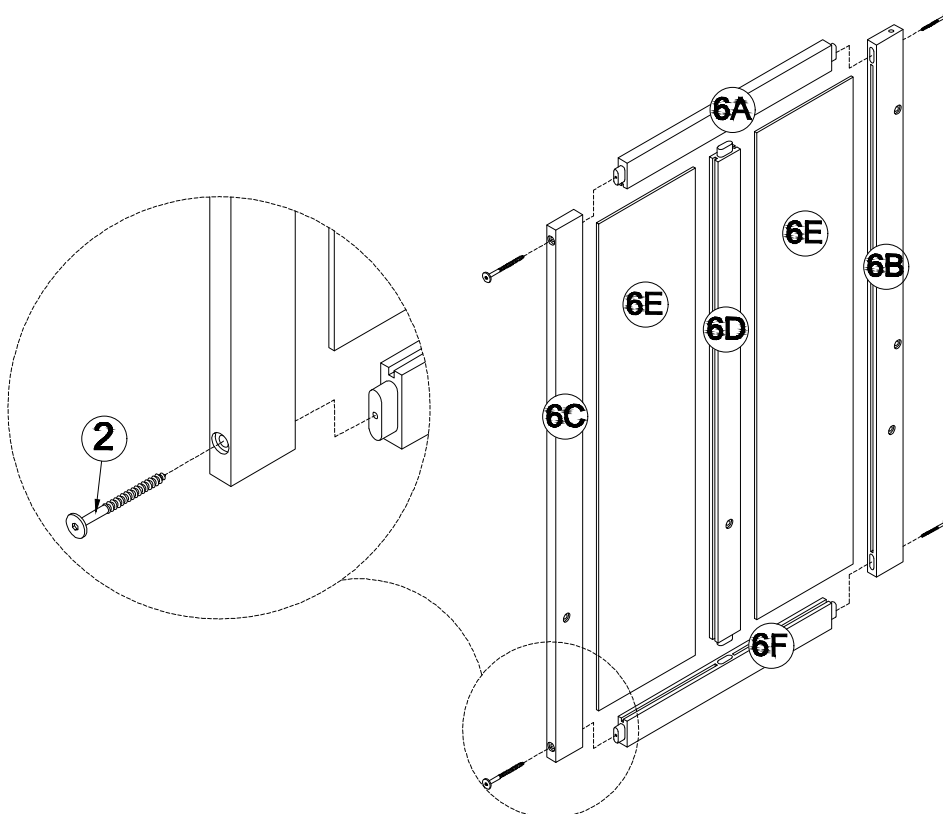


STEP6: Following below illustration.

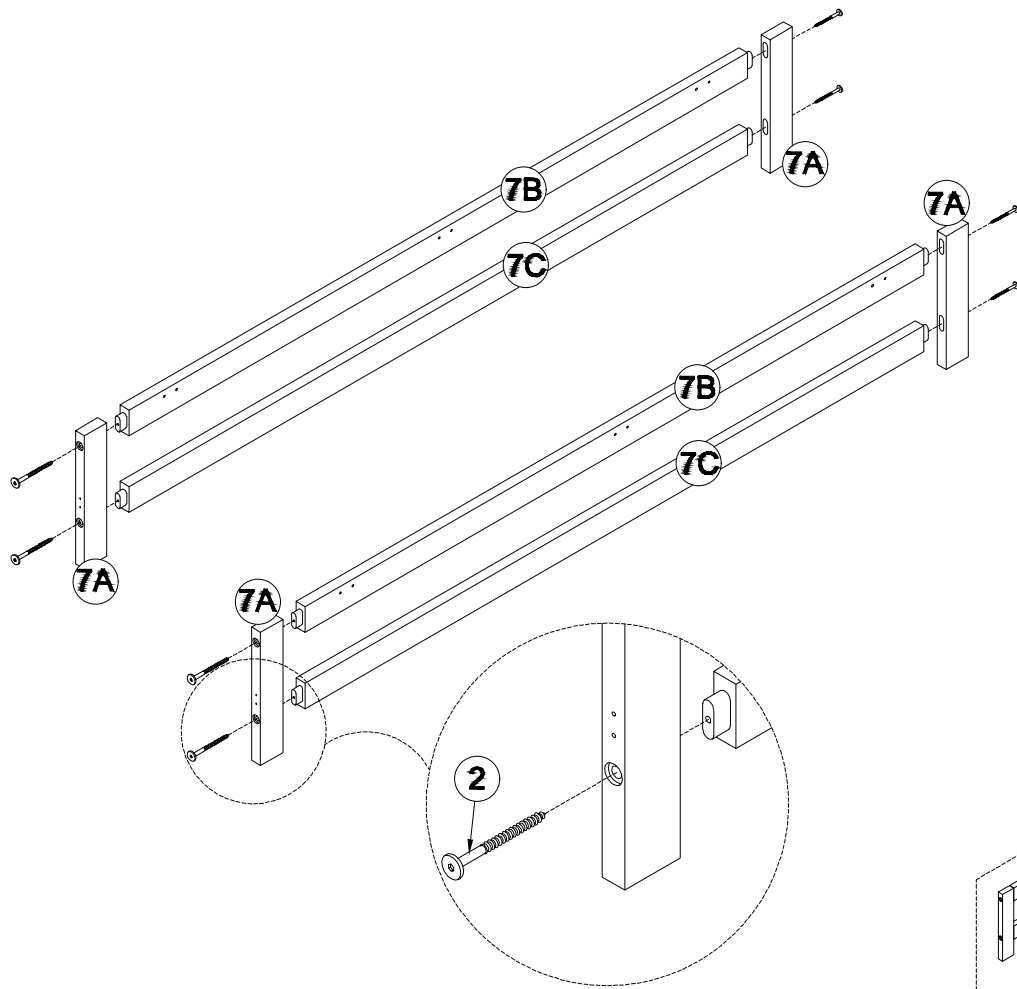
2

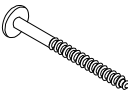


4(pcs)

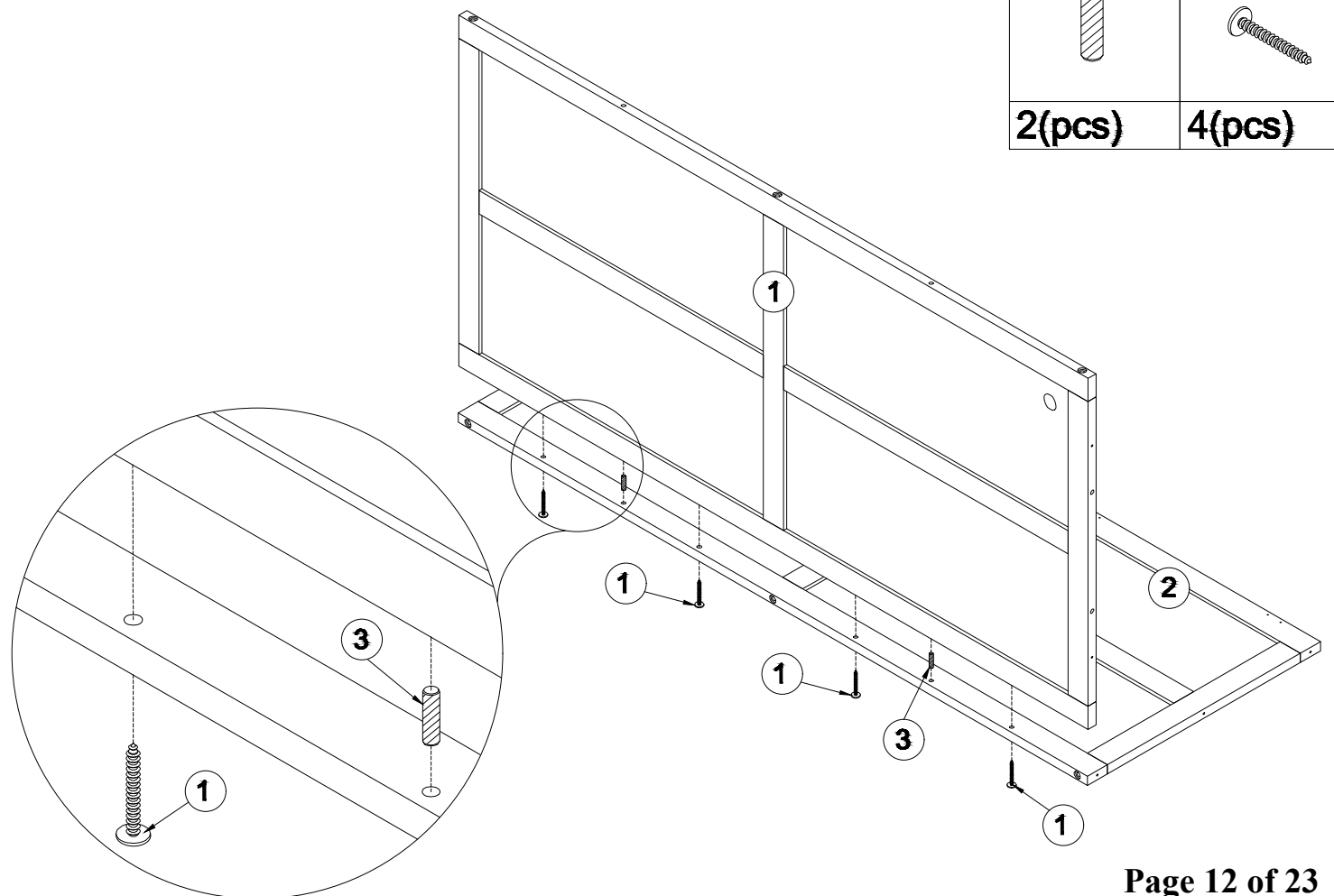




STEP7: Following below illustration.



2

8(pcs)




STEP8: Following below illustration.

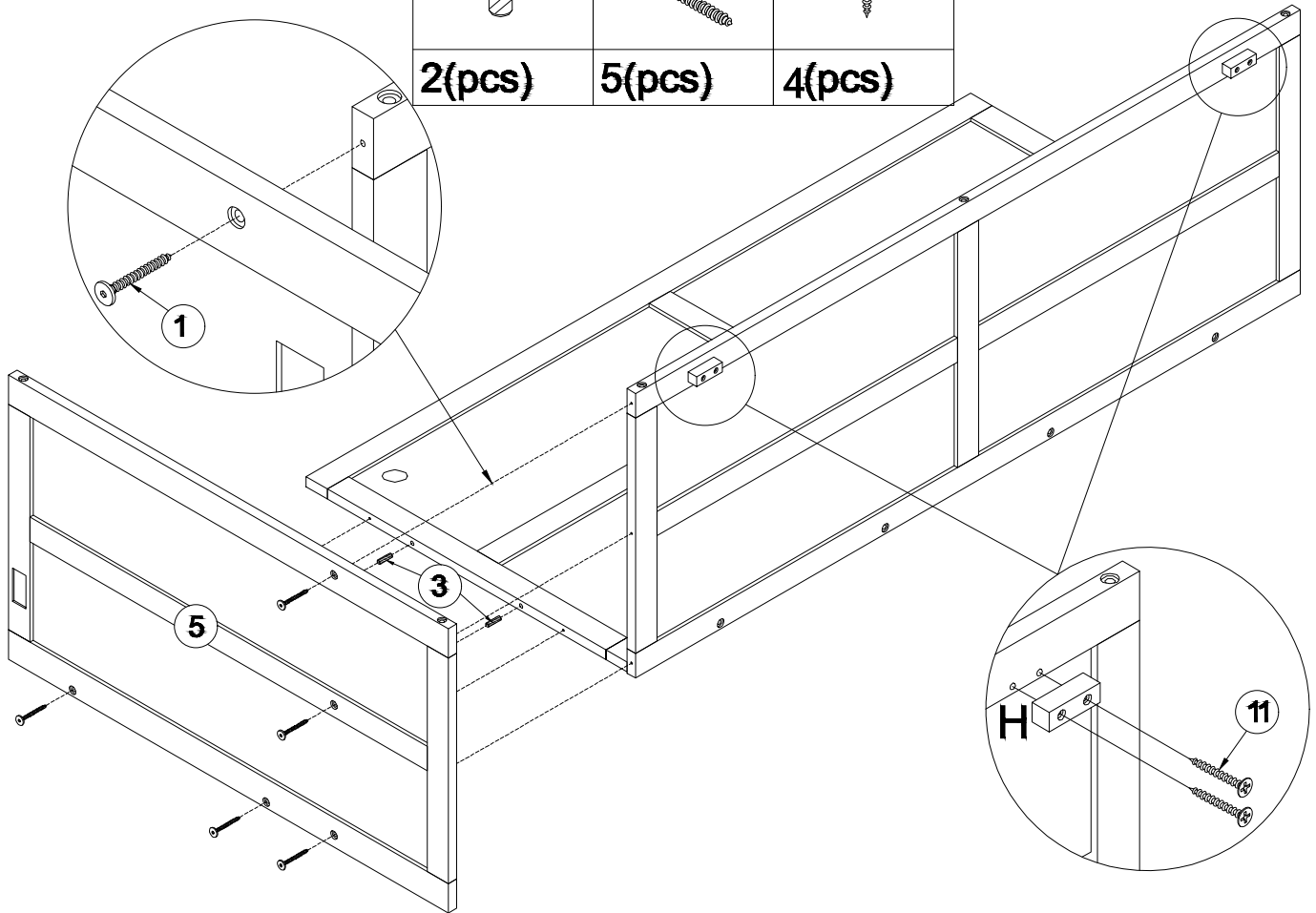


3	1
	
2(pcs)	4(pcs)

STEP9:

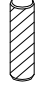

Following below illustration.

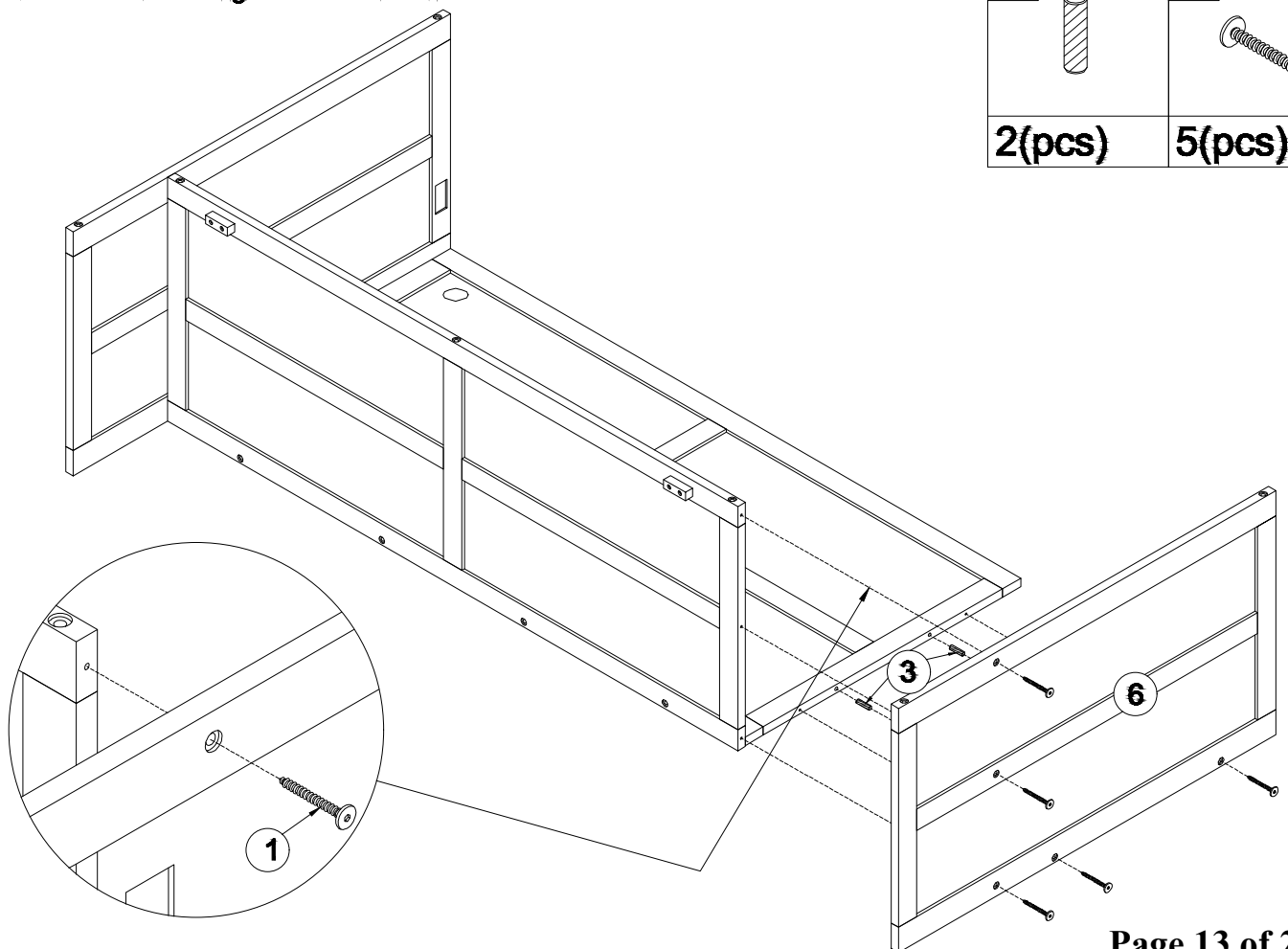
3		1		11	
2(pcs)		5(pcs)		4(pcs)	



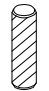
STEP10:

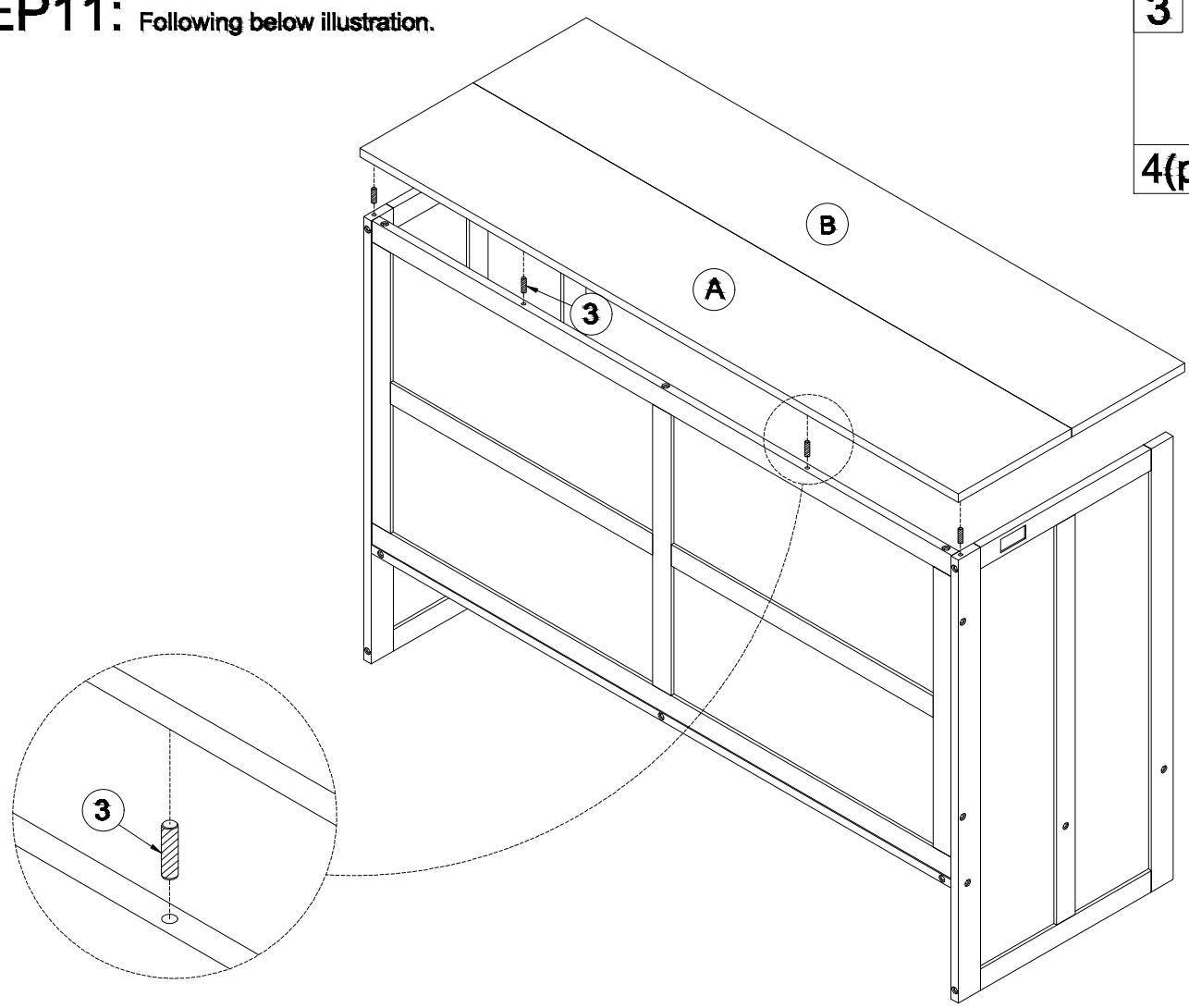
Following below illustration.

3		1	
2(pcs)		5(pcs)	


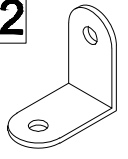


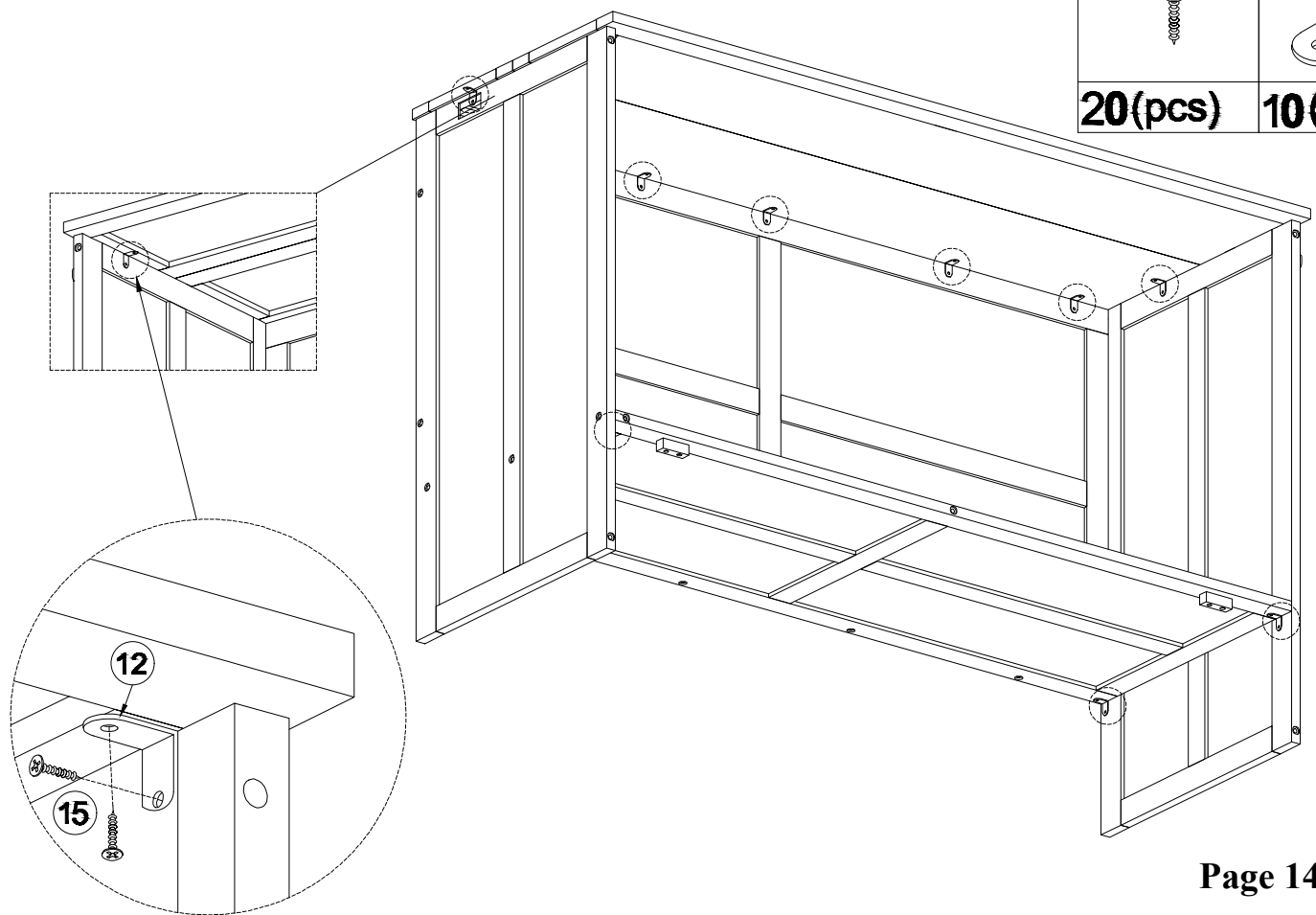
STEP11: Following below illustration.

3	
4(pcs)	

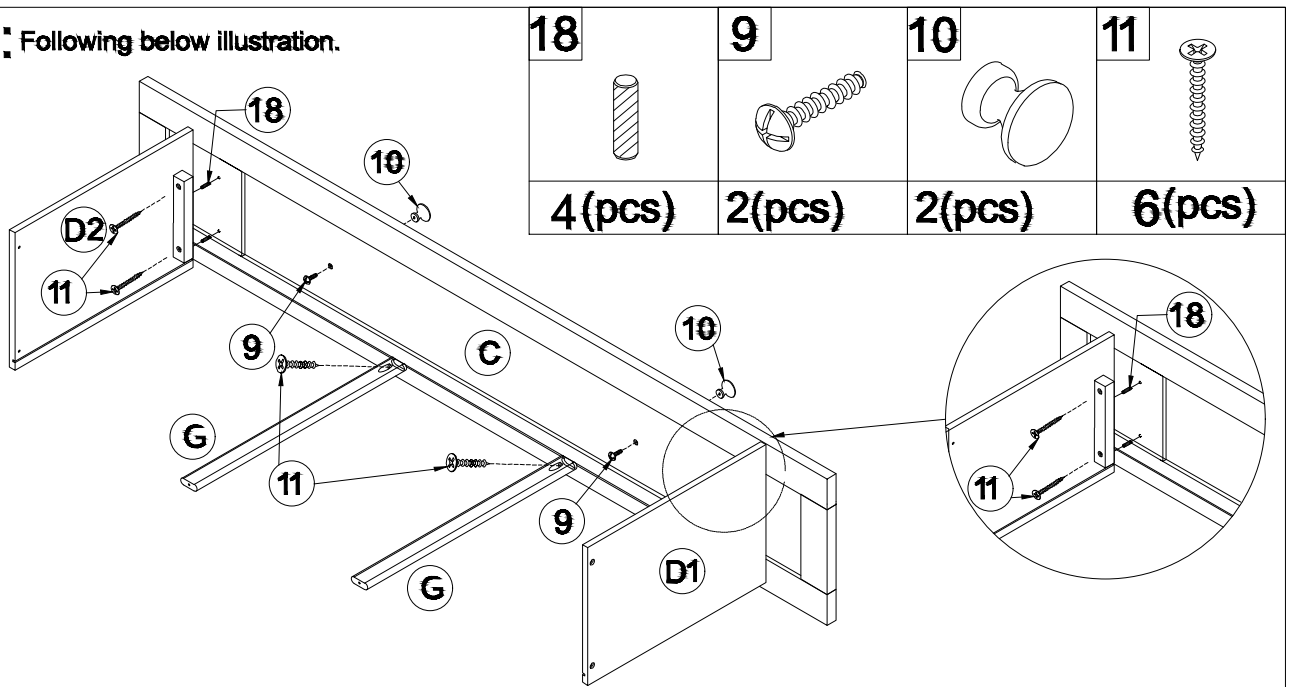


STEP12: Following below illustration.

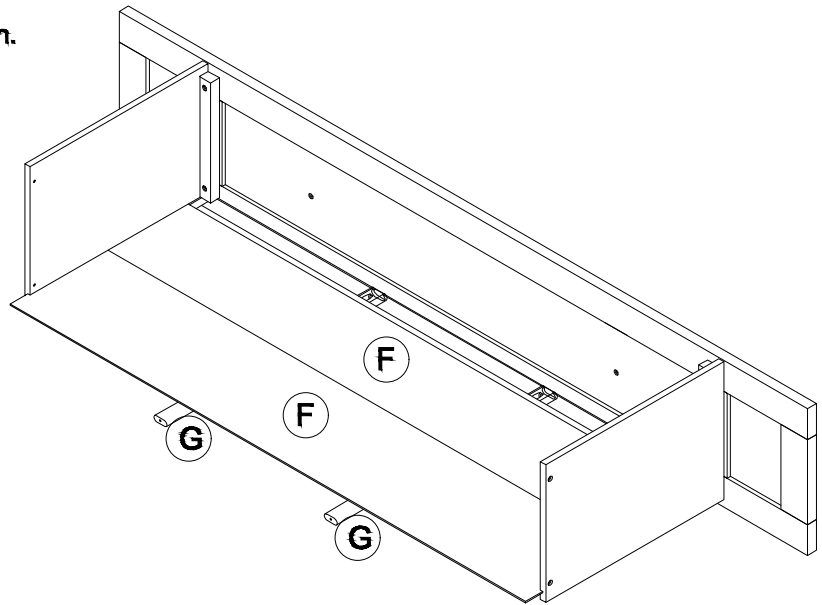
15		12	
20(pcs)		10(pcs)	



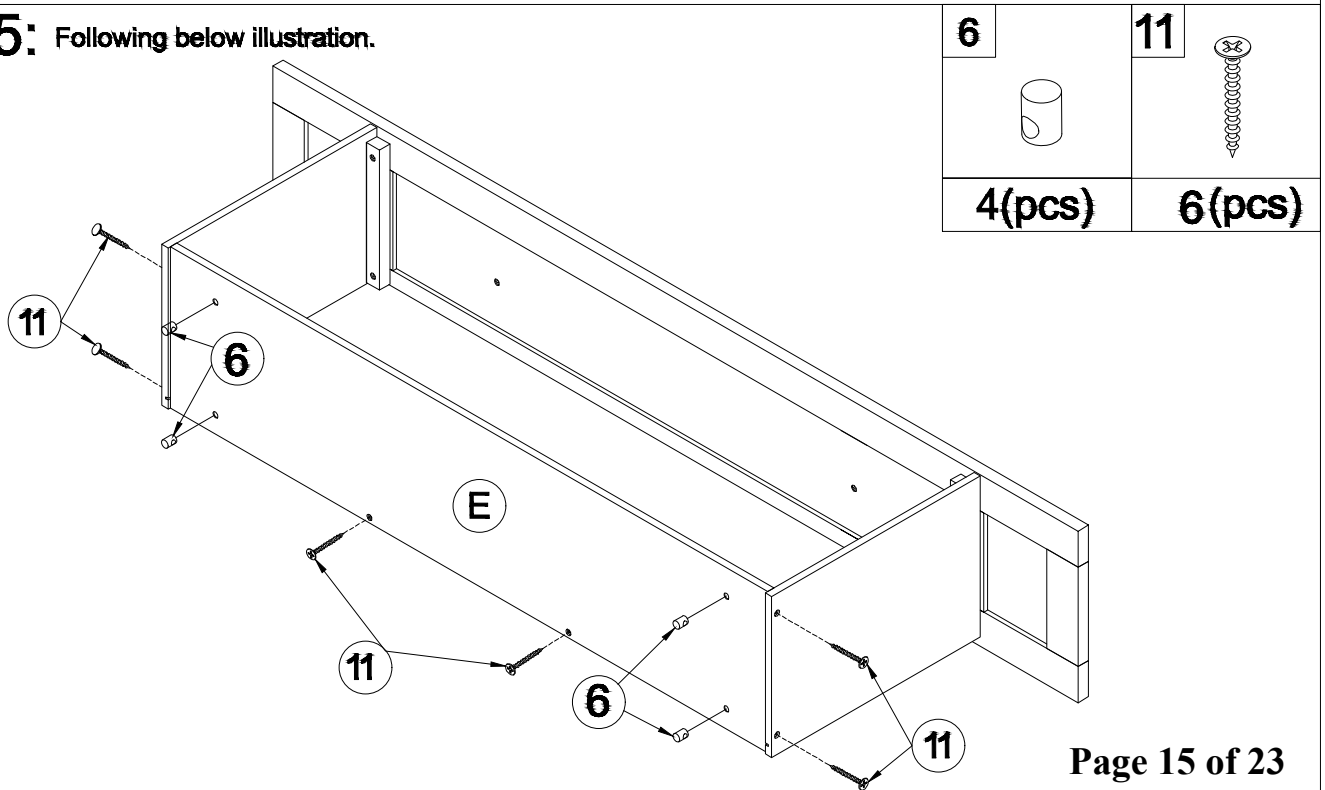
STEP13: Following below illustration.




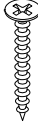
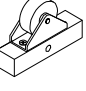
STEP14: Following below illustration.

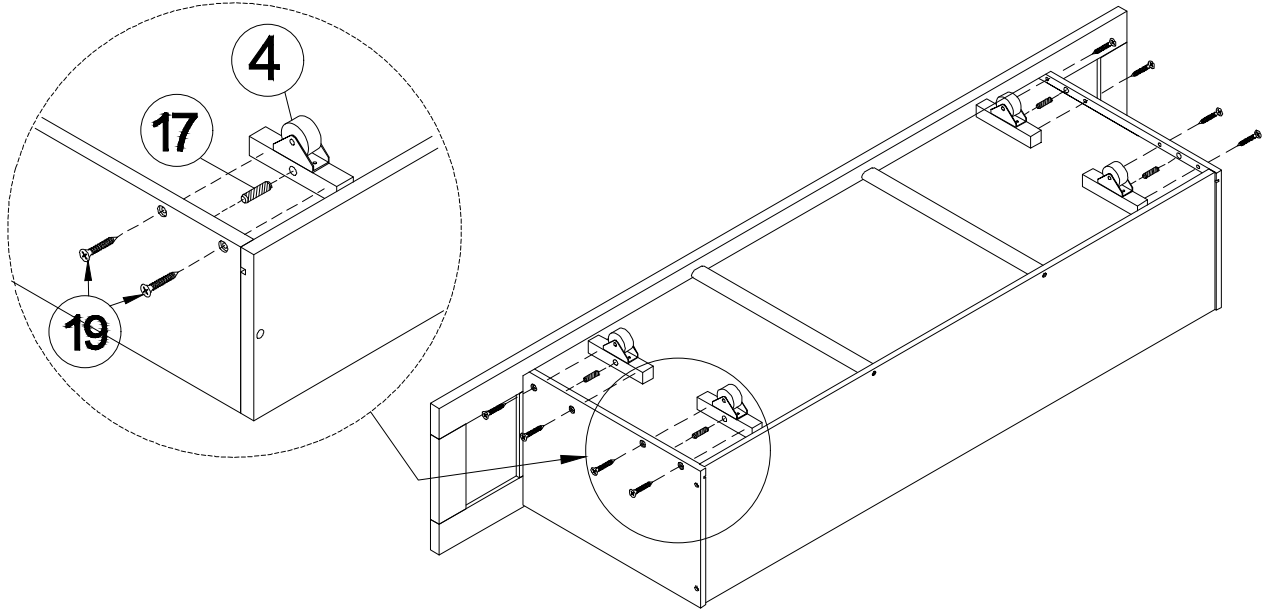


STEP15: Following below illustration.

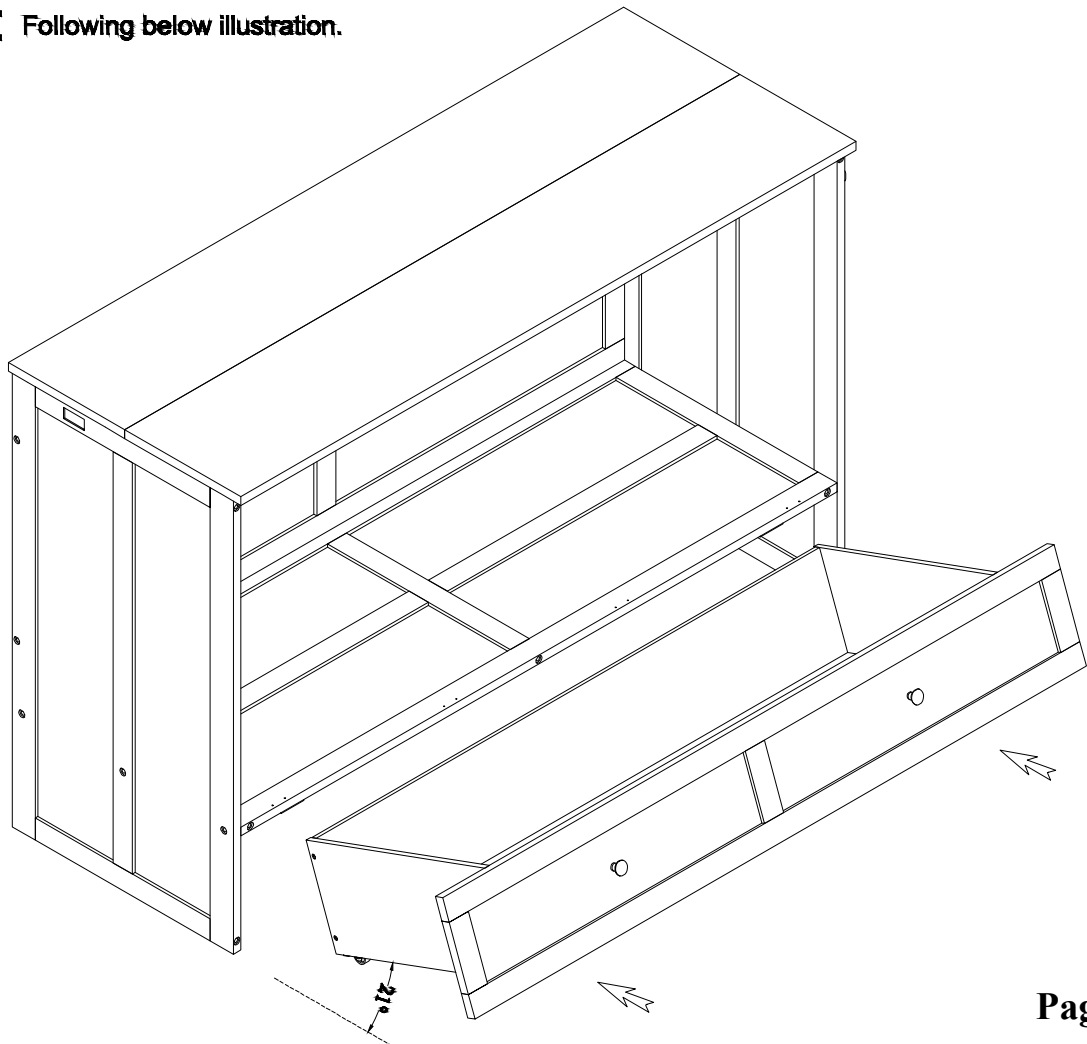


STEP16: Following below illustration.

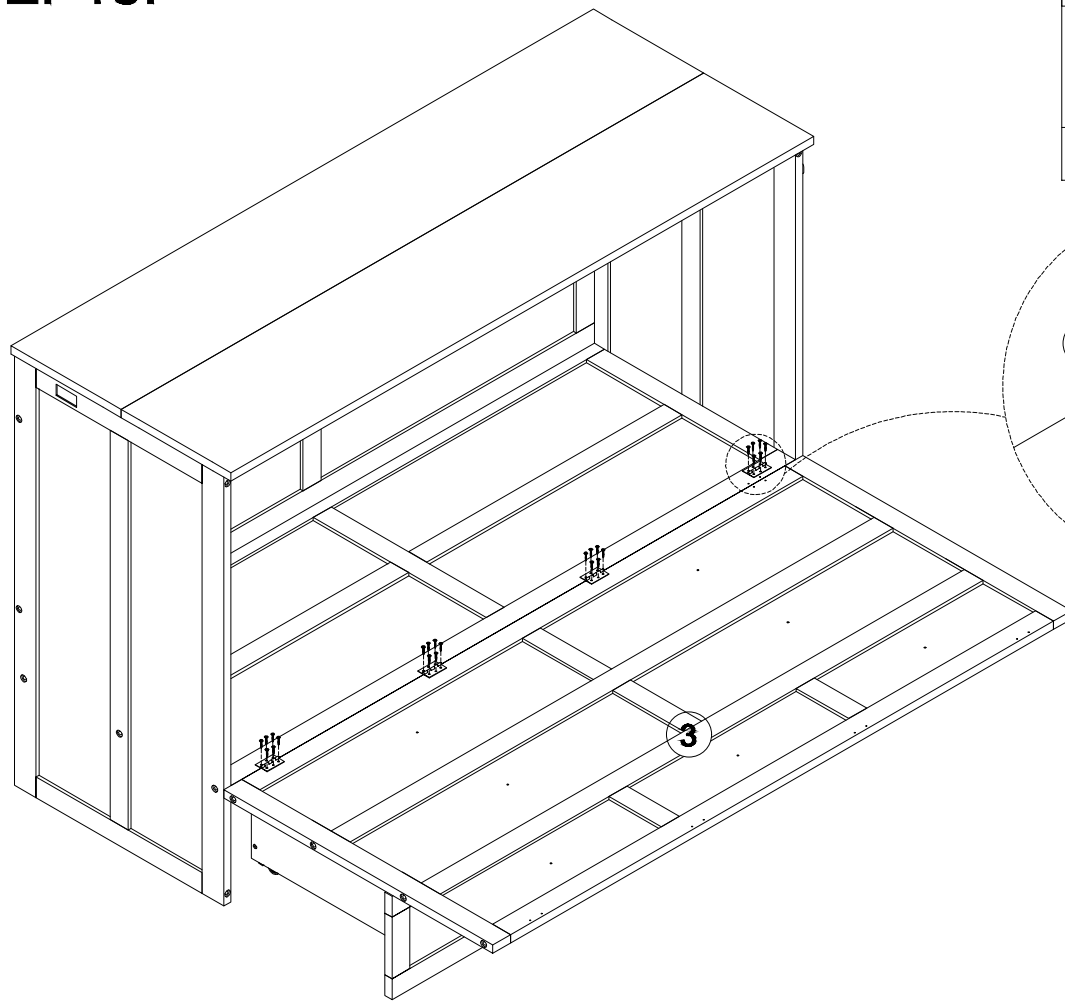
17	19	4
		
4(pcs)	8(pcs)	4(pcs)

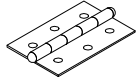



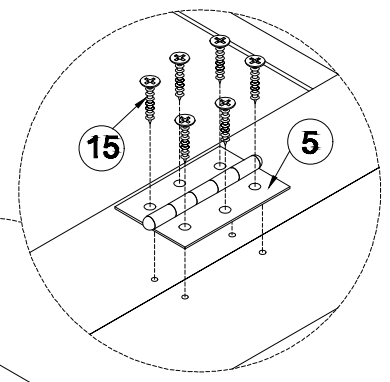
STEP17: Following below illustration.



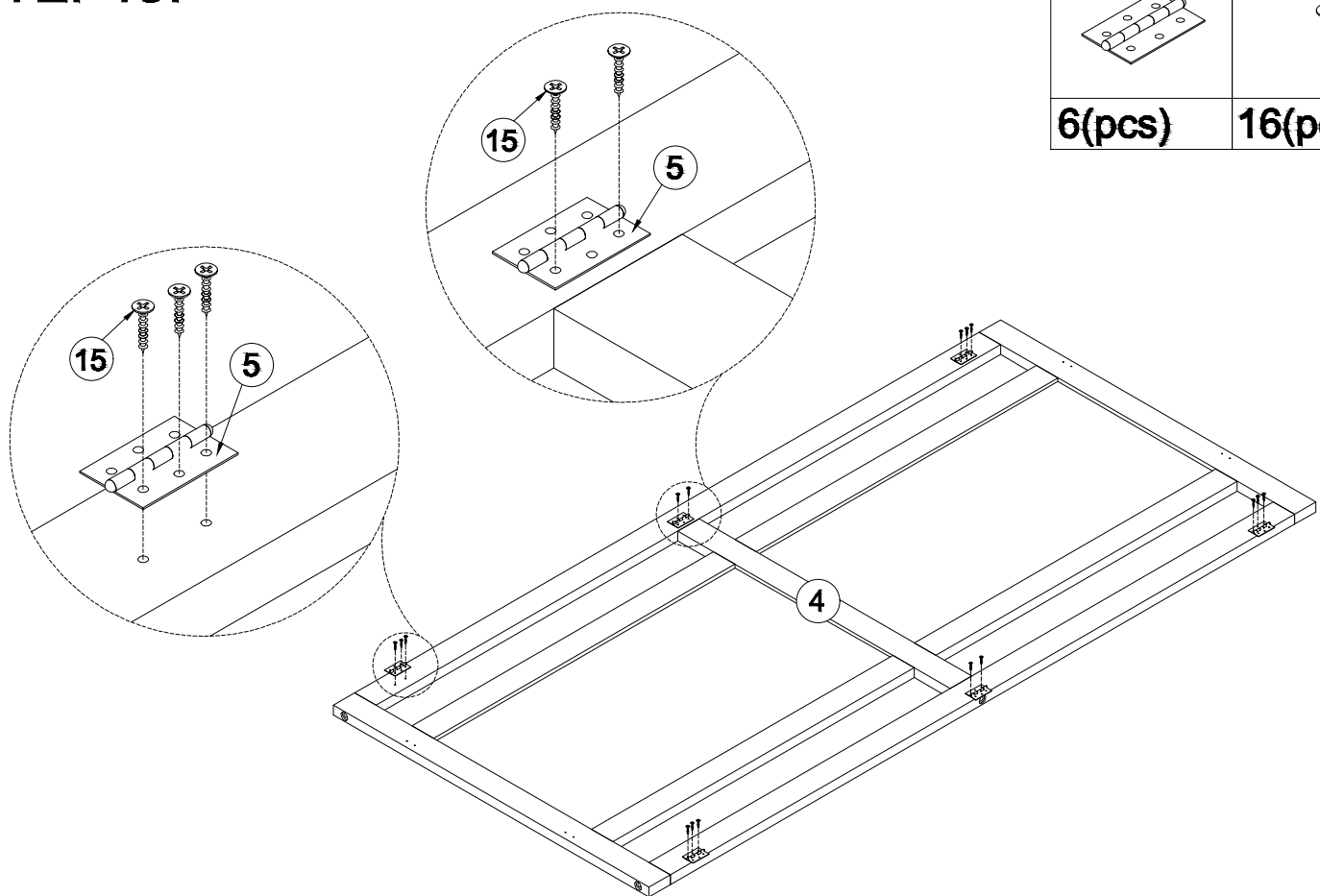
STEP18: Following below illustration.

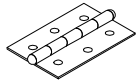



5	15
	
4(pcs)	24(pcs)



STEP19: Following below illustration.



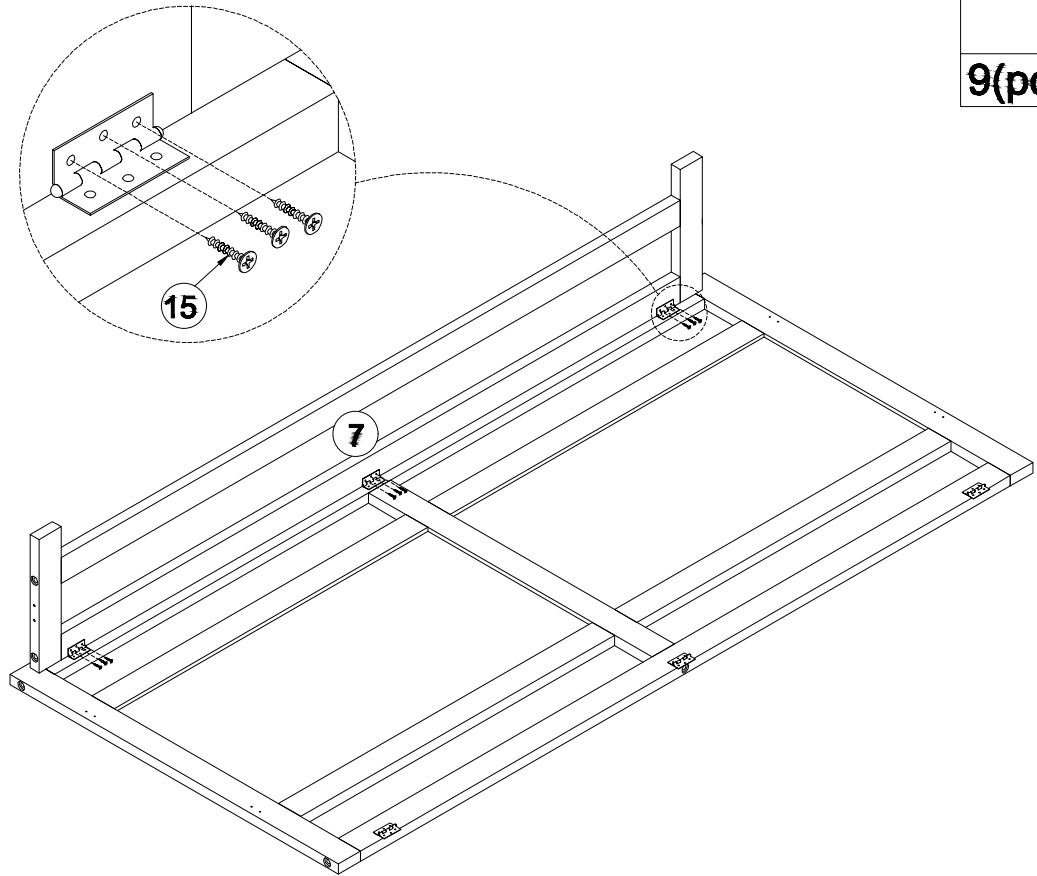
5	15
	
6(pcs)	16(pcs)

STEP20: Following below illustration.

15



9(pcs)

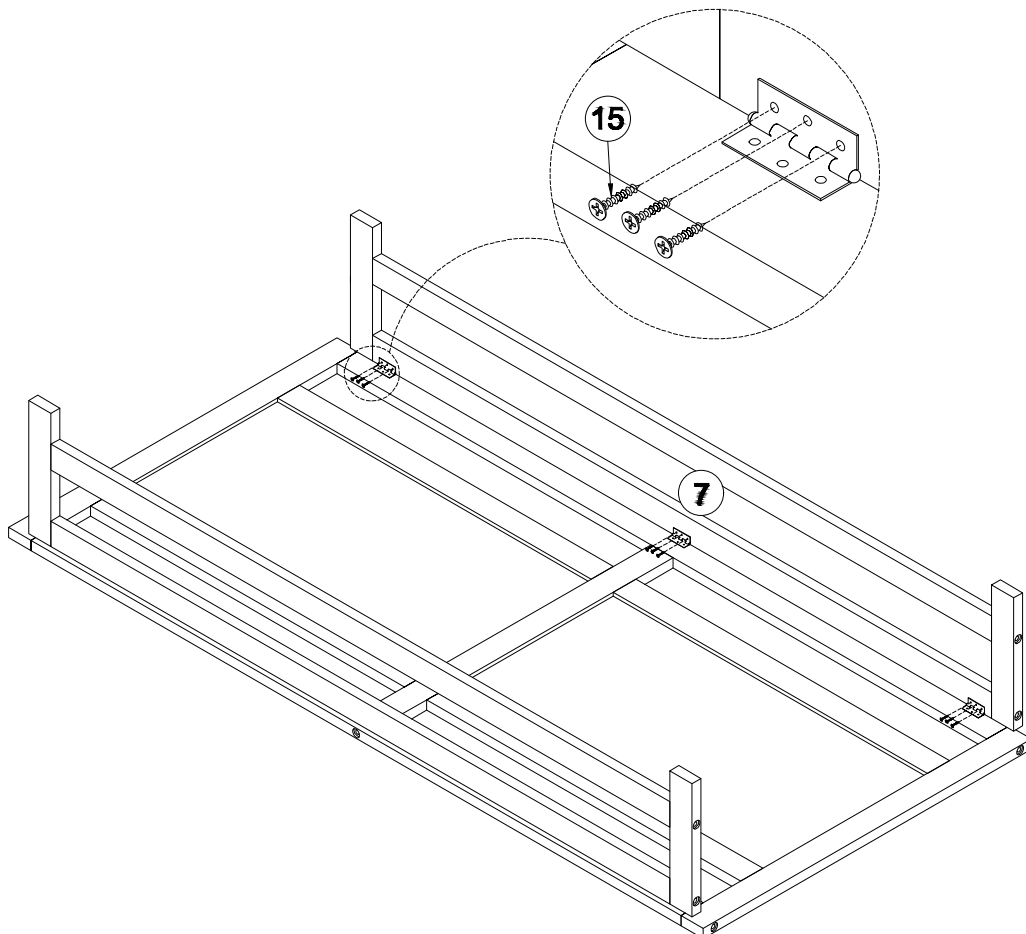


STEP21: Following below illustration.

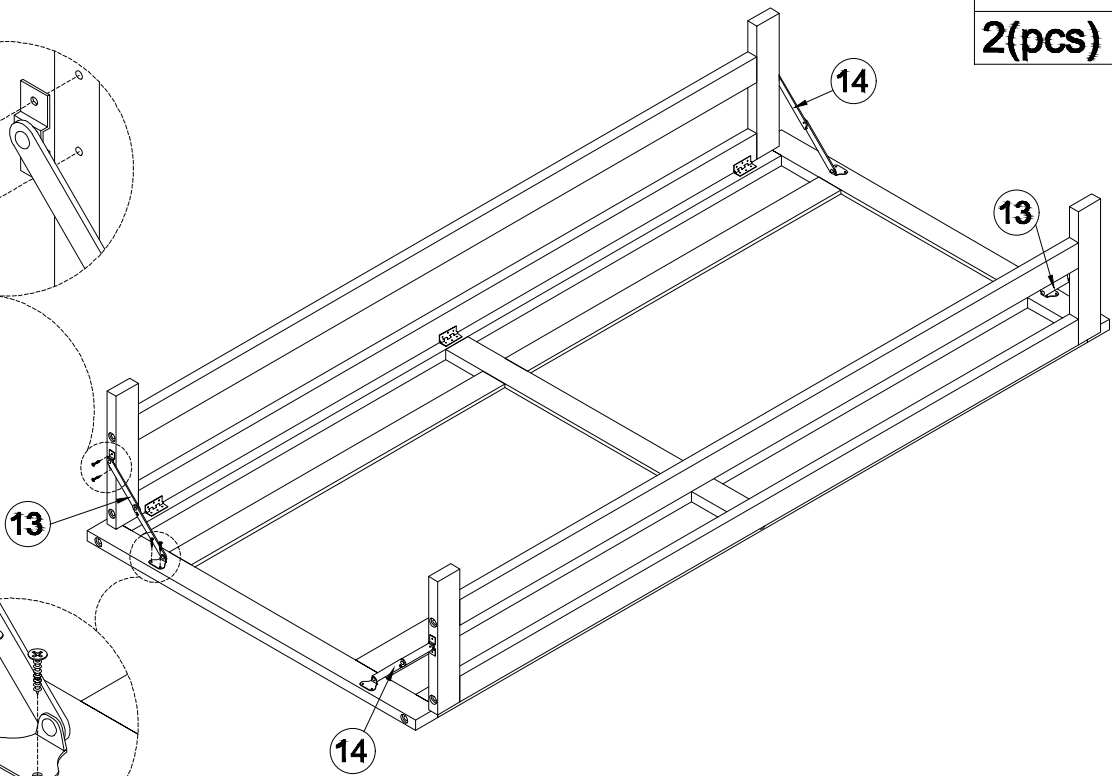
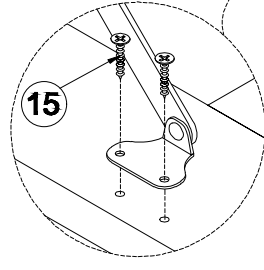
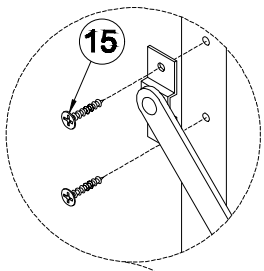
15



9(pcs)

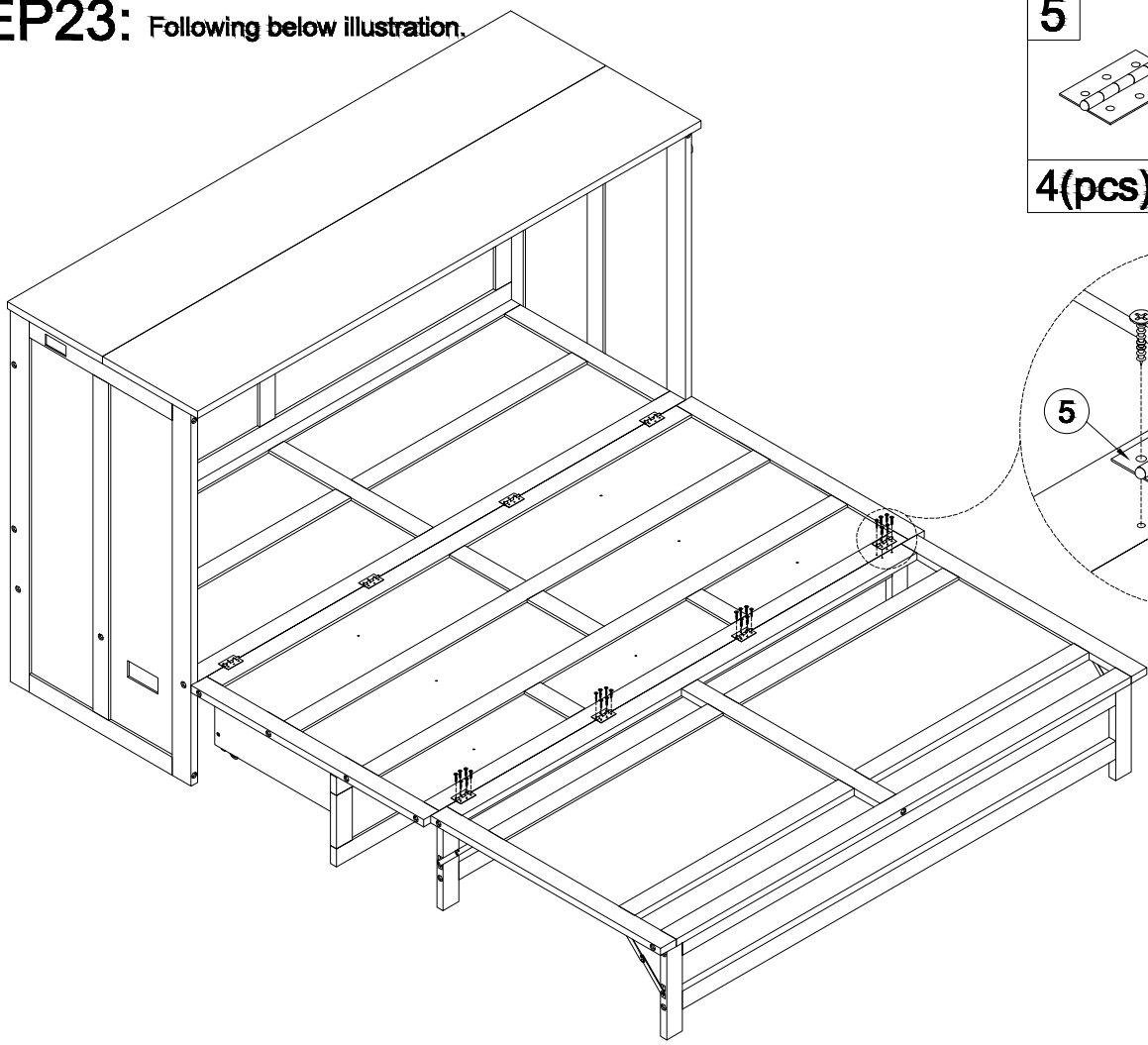


STEP22: Following below illustration.

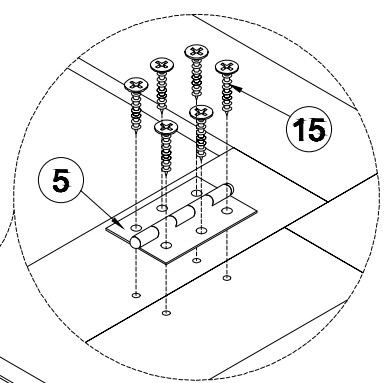


13	14
2(pcs)	2(pcs)
15	
16(pcs)	

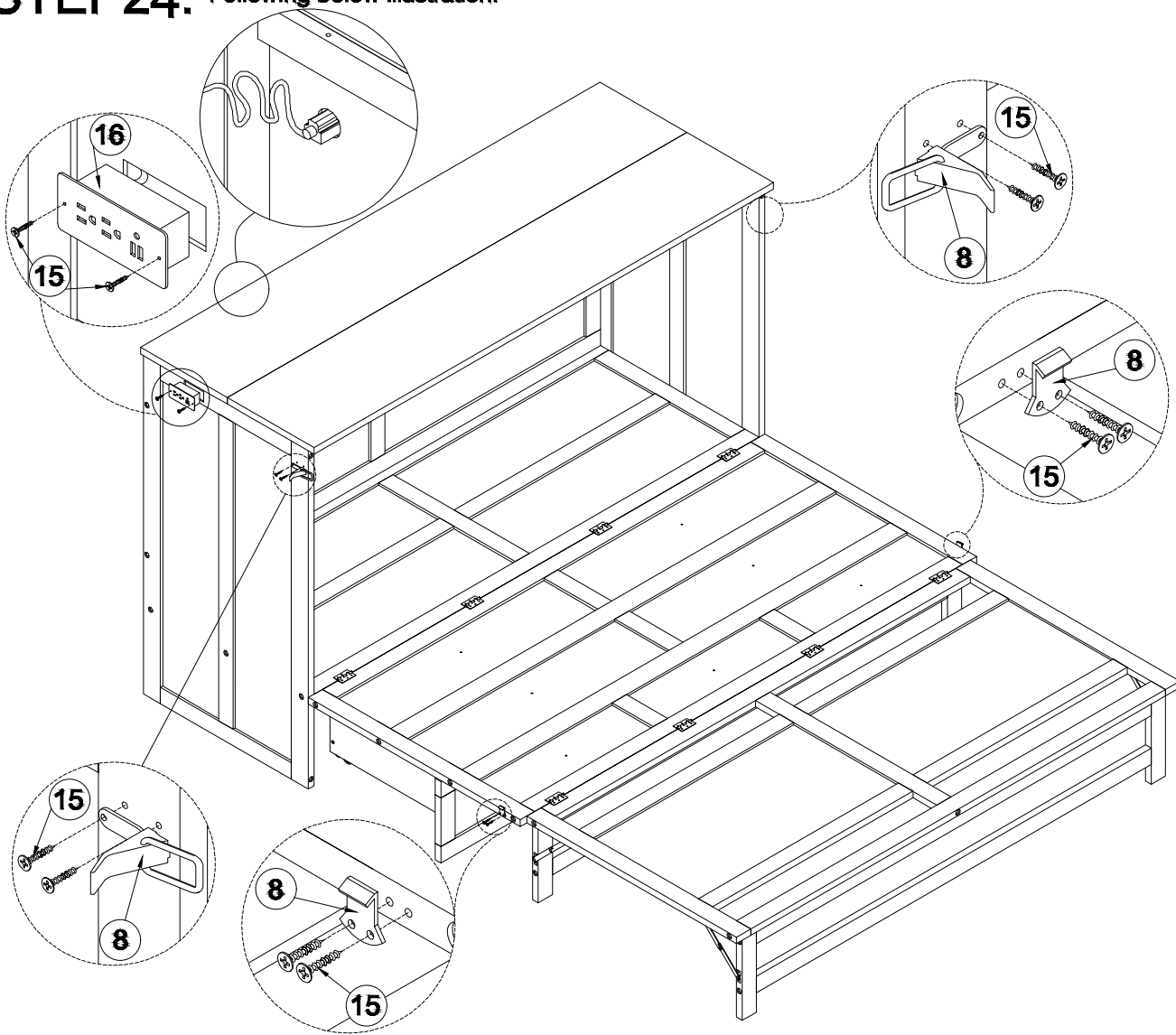
STEP23: Following below illustration.



5	15
4(pcs)	24(pcs)

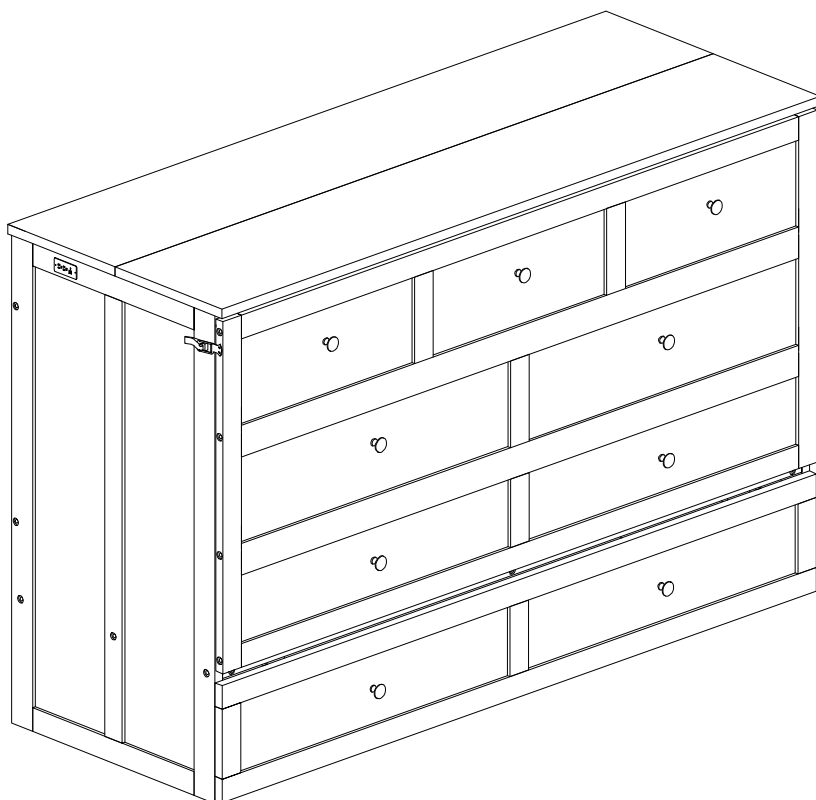


STEP 24: Following below illustration.

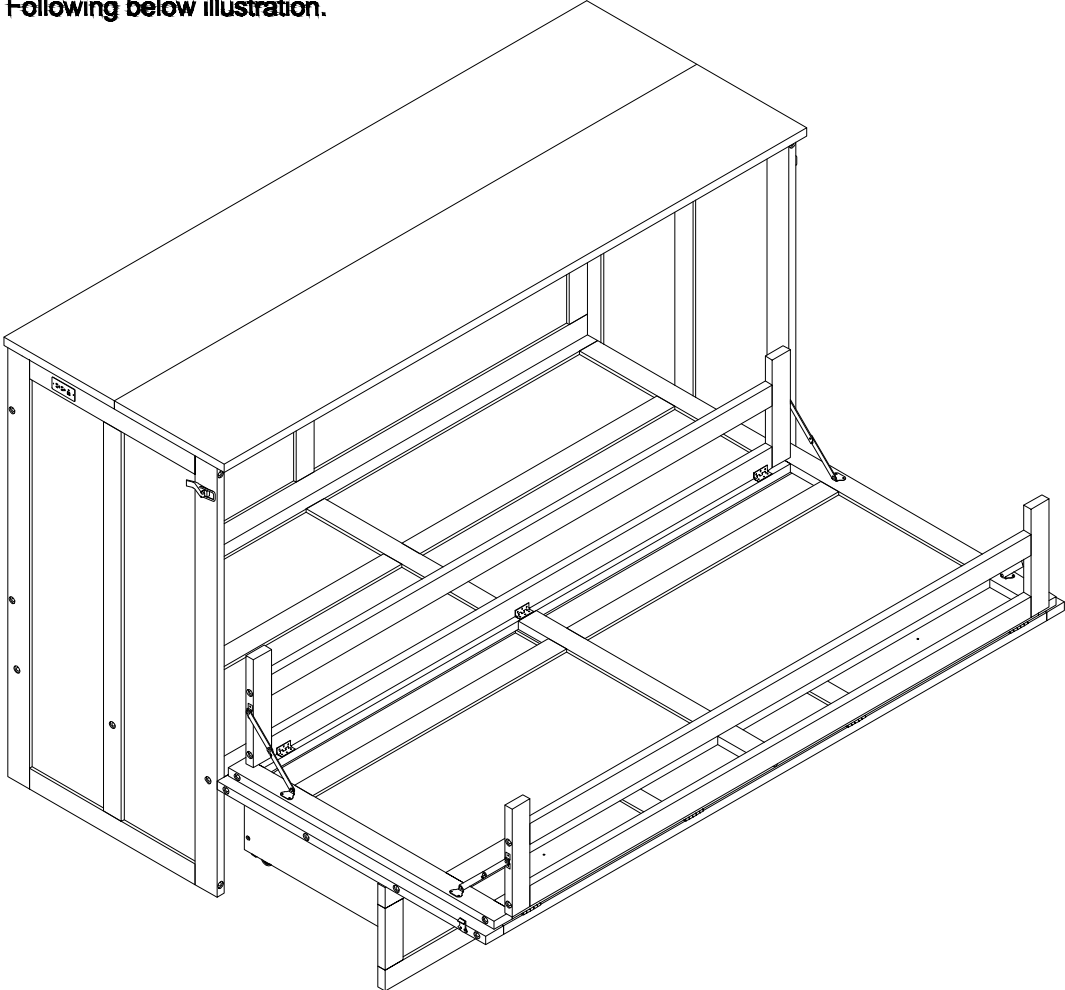


- | | |
|----------------|--|
| 16 | |
| 1(pc) | |
| 8 | |
| 2(sets) | |
| 15 | |
| 10(pcs) | |

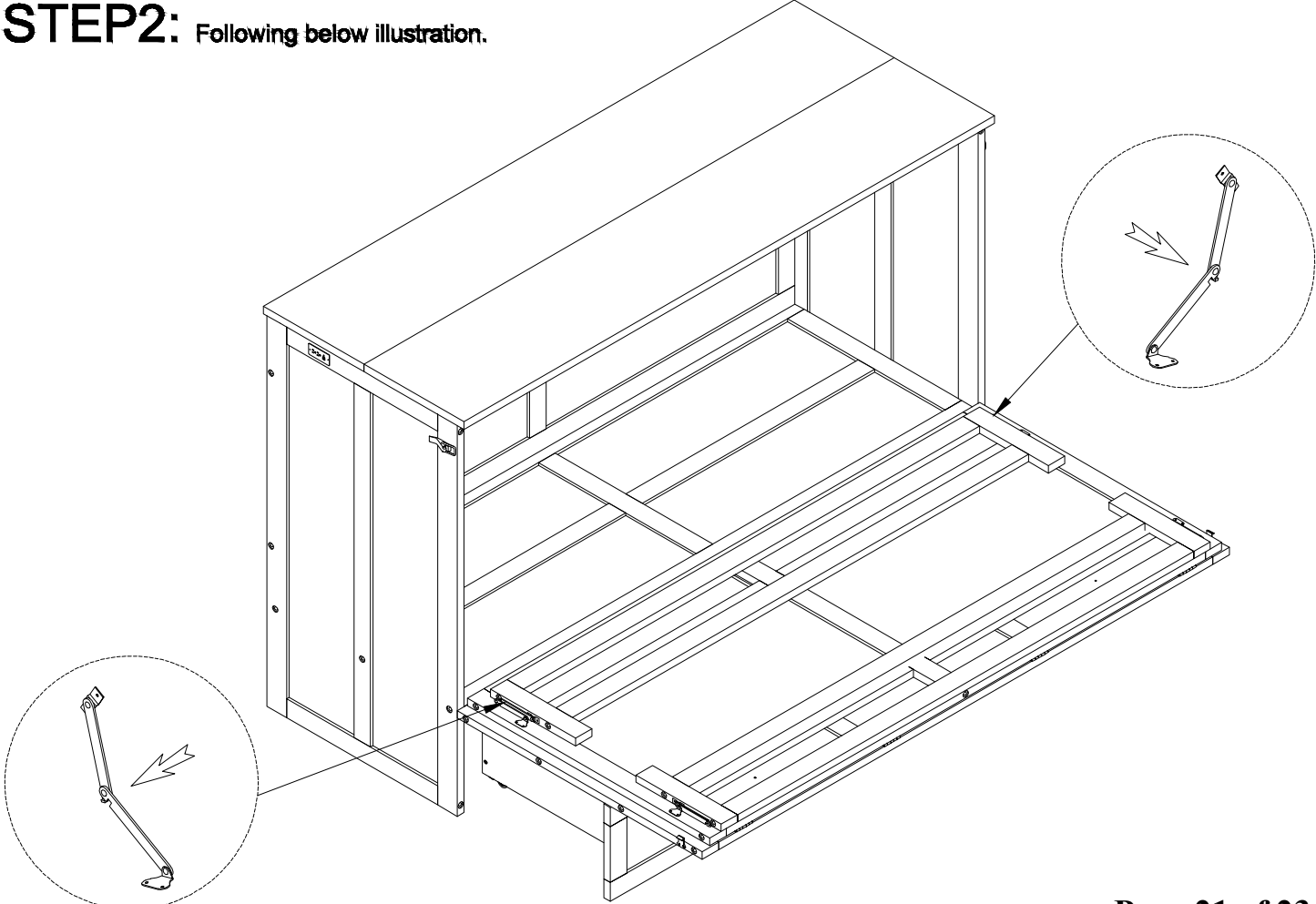
OPTION 2



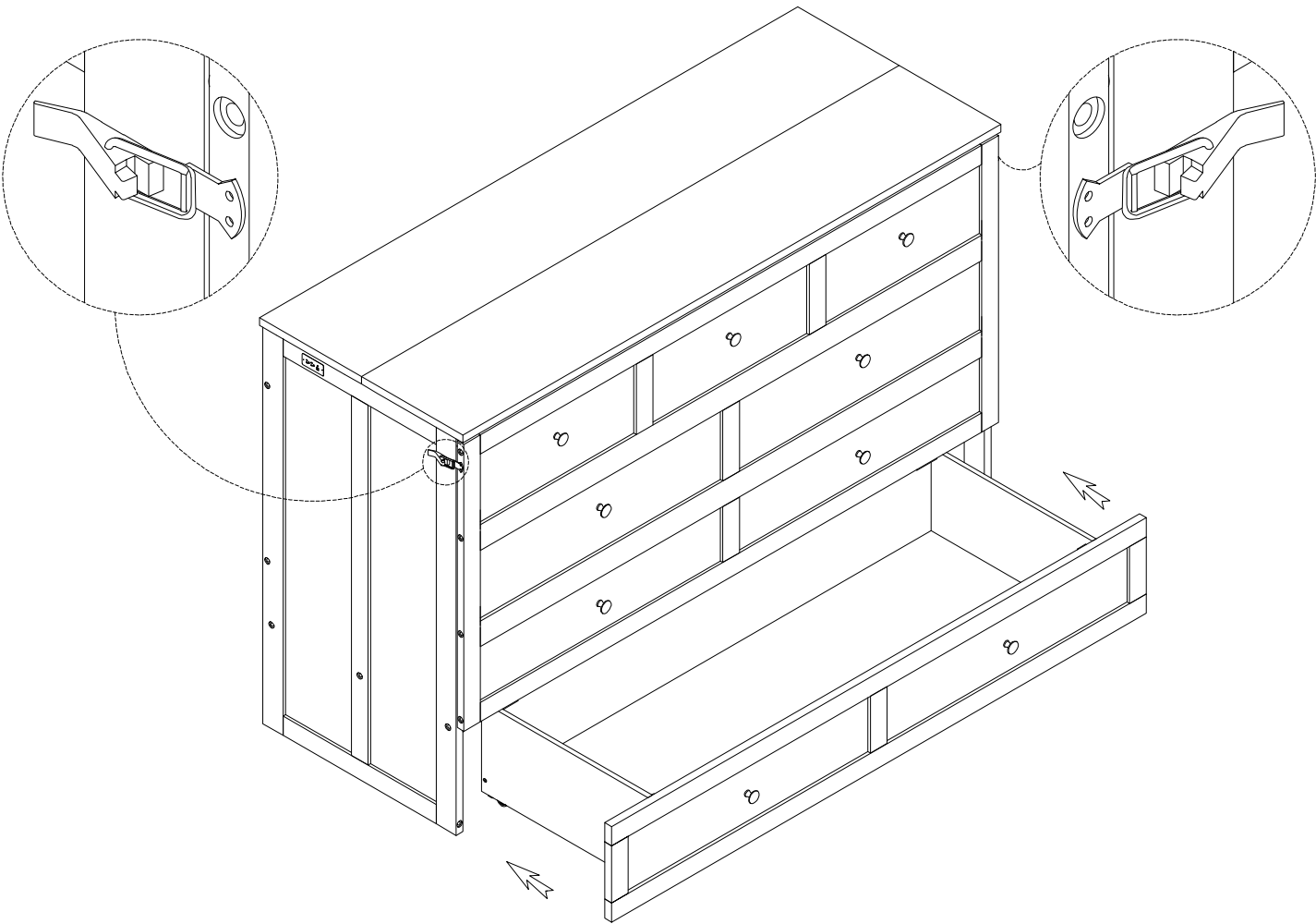
STEP1: Following below illustration.



STEP2: Following below illustration.



STEP 3: Following below illustration.



Finish

