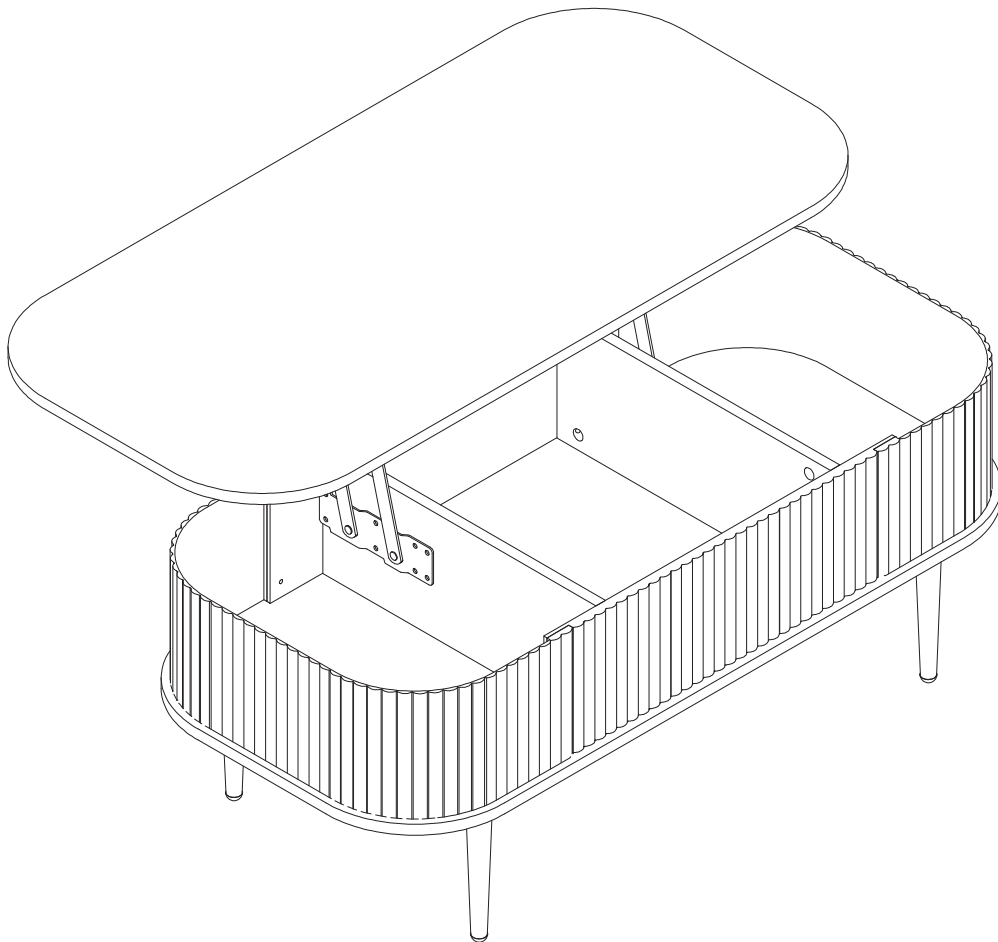


MANUAL INSTRUCTION



✉ (24/7):service@kmcglobe-us.com

☎ (only us) +1 213-816-4788

ATTENTION

1. The product must be assembled and used according to the manual. The seller is not liable for any damage caused by incorrect assembly or misuse.
2. Do not sit or stand on the product.
3. Place the item on a flat surface.
4. Keep small parts away from children to avoid choking hazards.
5. Keep product away from corrosive gases, liquids and dusty environment.
6. Keep the original box(es) until assembly is complete or no quality issues need to be confirmed.

AFTER-SALE SERVICE

If you have any suggestions or encounter quality issues with our products, please contact us first. Our after-sales team will respond within 24 hours, and we will do our best to provide a solution until you are satisfied.

GUARANTEED CUSTOMER SERVICE

Your shopping experience is very important to us!

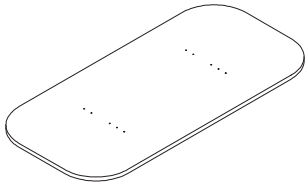
If you feel unsatisfied or have any questions, just contact us without any hesitation!

If you want to share how wonderful our smart product makes your home, you can share your pictures with us!

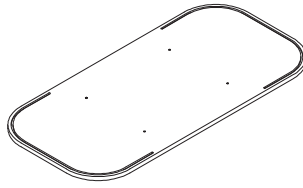
For further information, contacts immediately:

 [**service@kmcglobe-us.com**](mailto:service@kmcglobe-us.com)

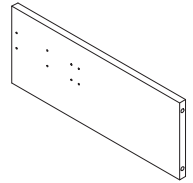
PARTS



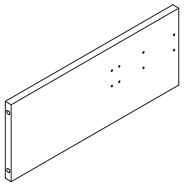
1 × 1



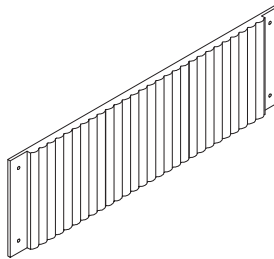
2 × 1



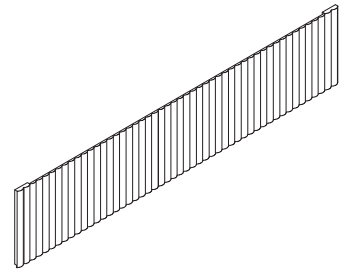
3 × 1



4 × 1



5 × 2



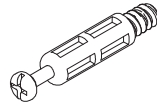
6 × 2

HARDWARE



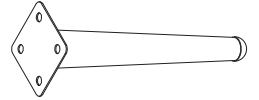
Φ15x12mm

A × 8(+1)



Φ6x40mm

B × 8(+1)



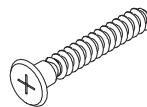
H=200mm

C × 4



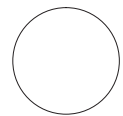
K3.5X13mm

D × 42(+2)



Φ5x40mm

E × 4(+1)



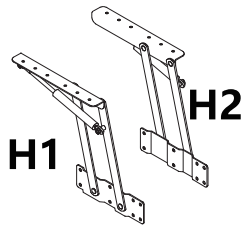
Φ20mm

F × 8(+1)



K4x10mm

G × 8(+1)

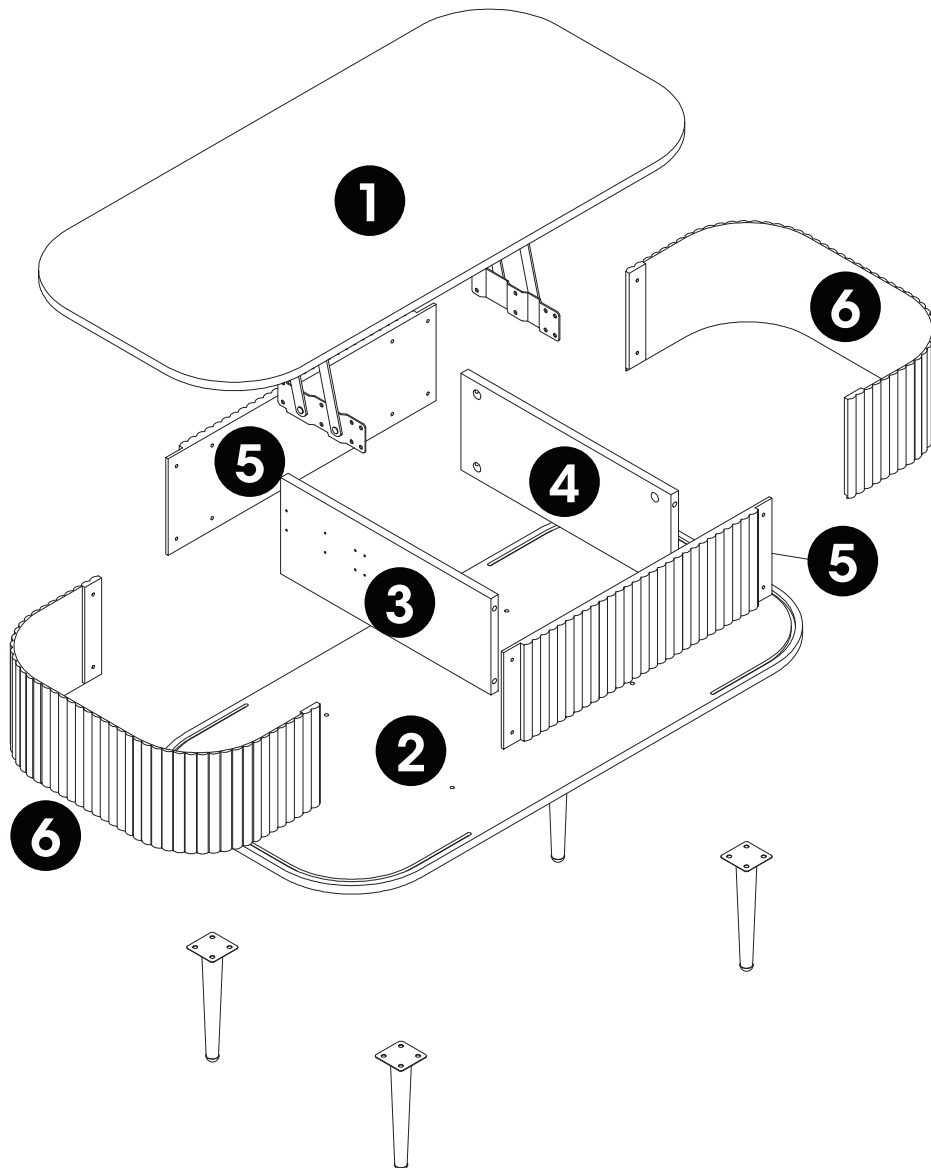


H1

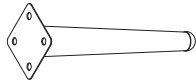
H2

H × 1

EXPLOSION VIEW



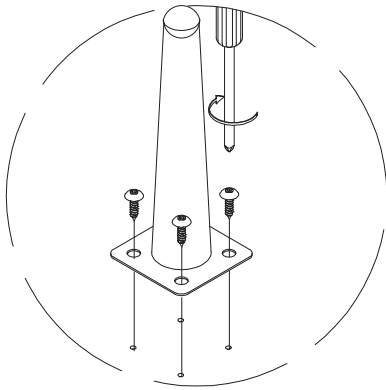
1



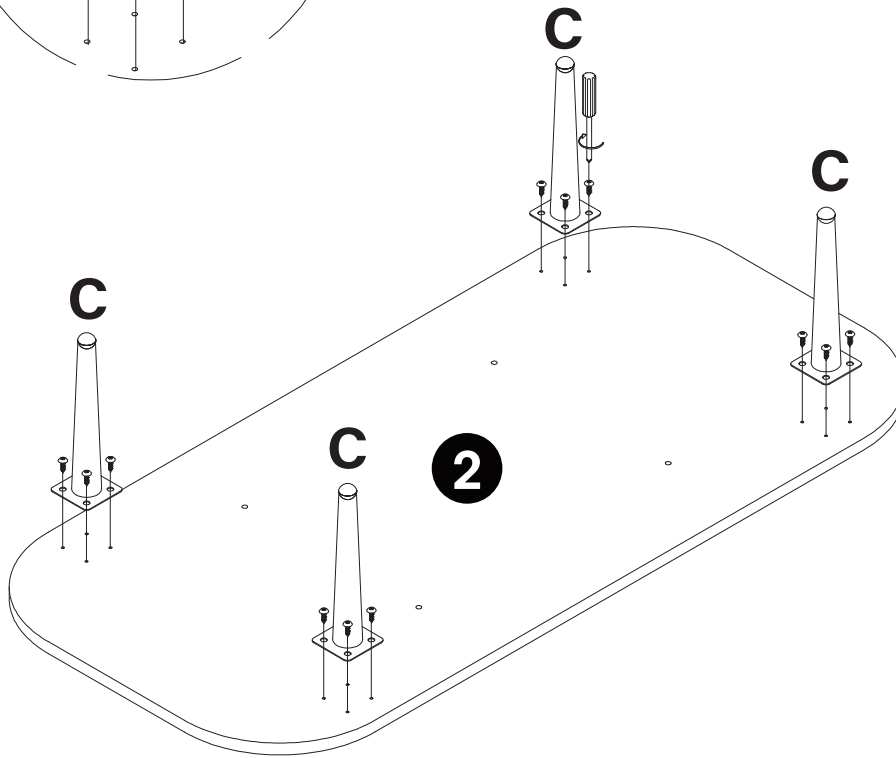
C x4



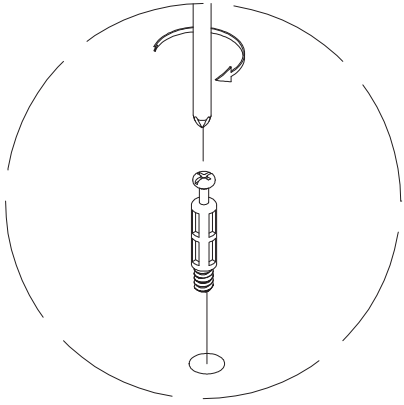
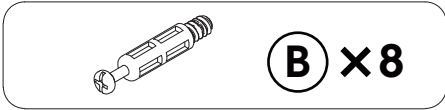
D x16



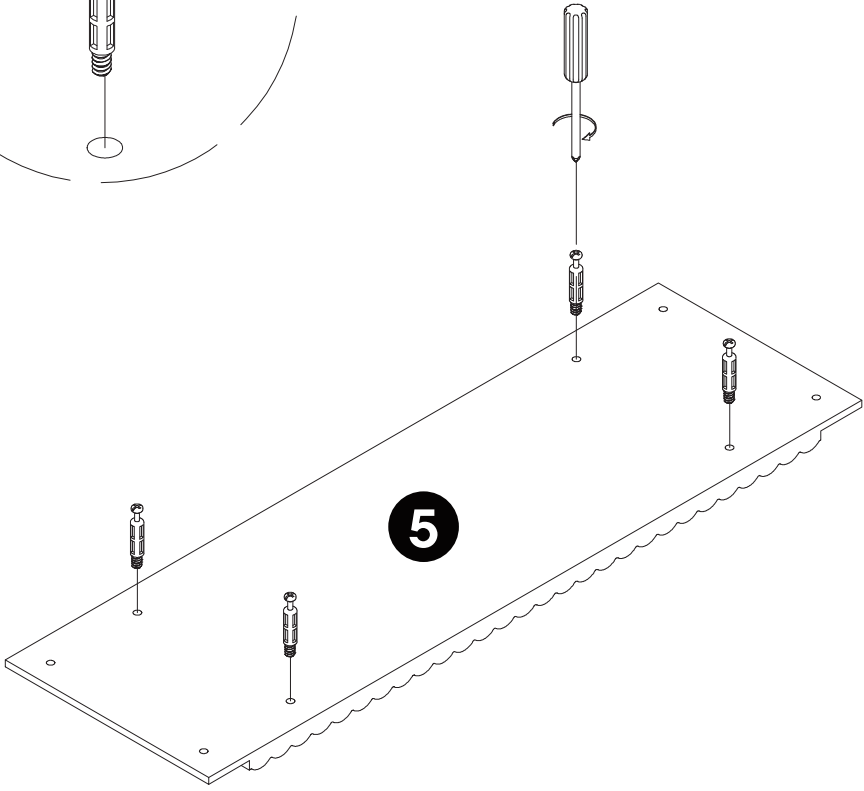
D x16



2

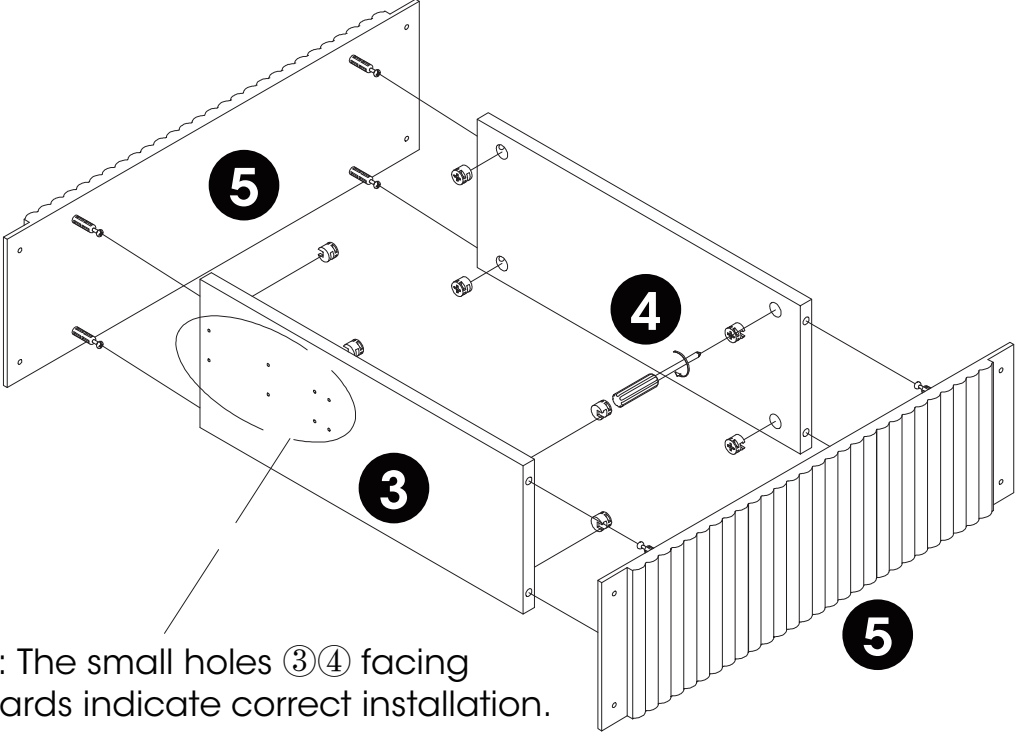
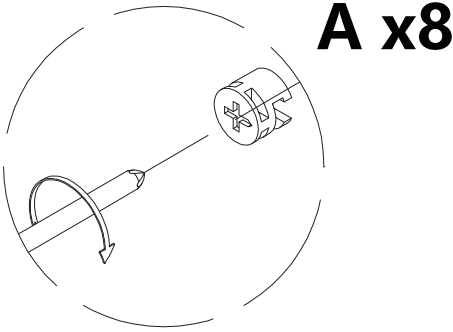


B x8



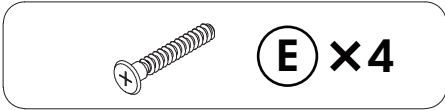
x2

3

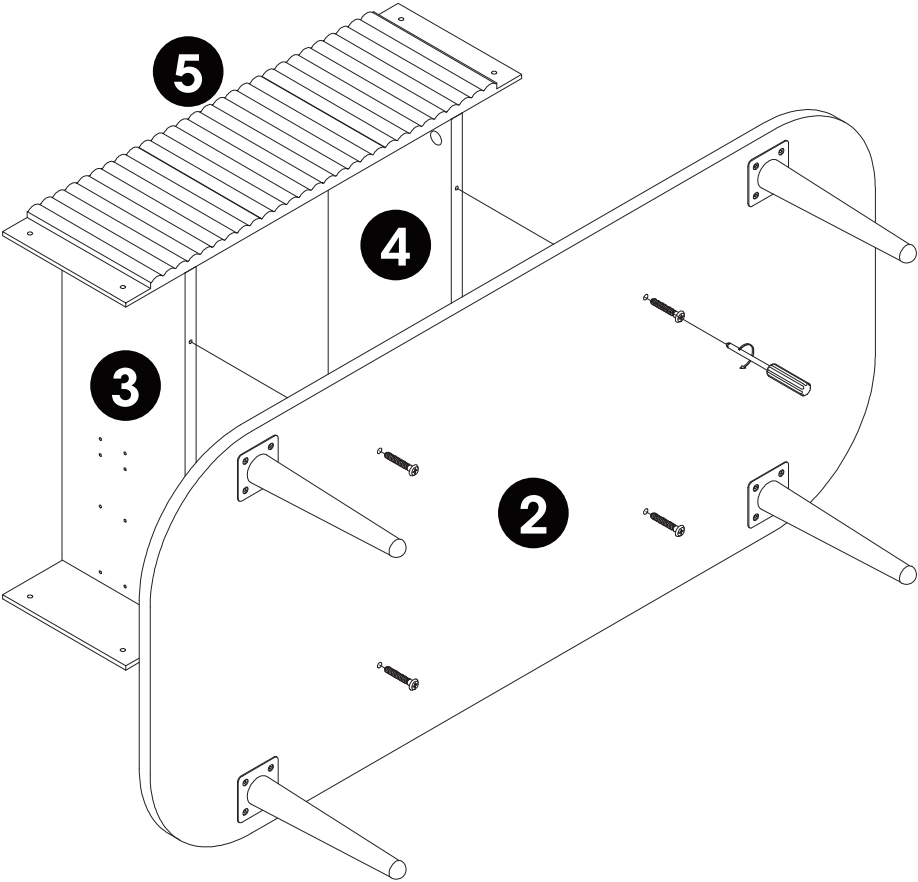
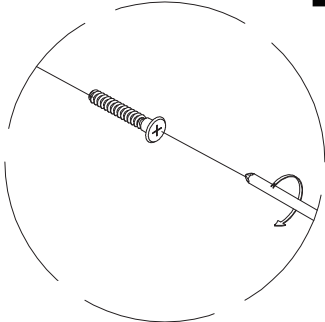


Note: The small holes ③④ facing outwards indicate correct installation.

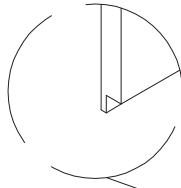
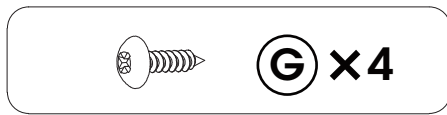
4



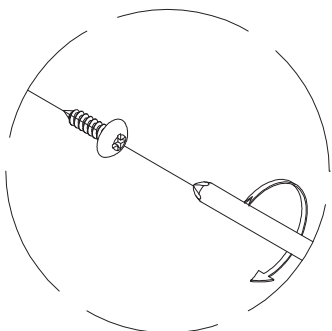
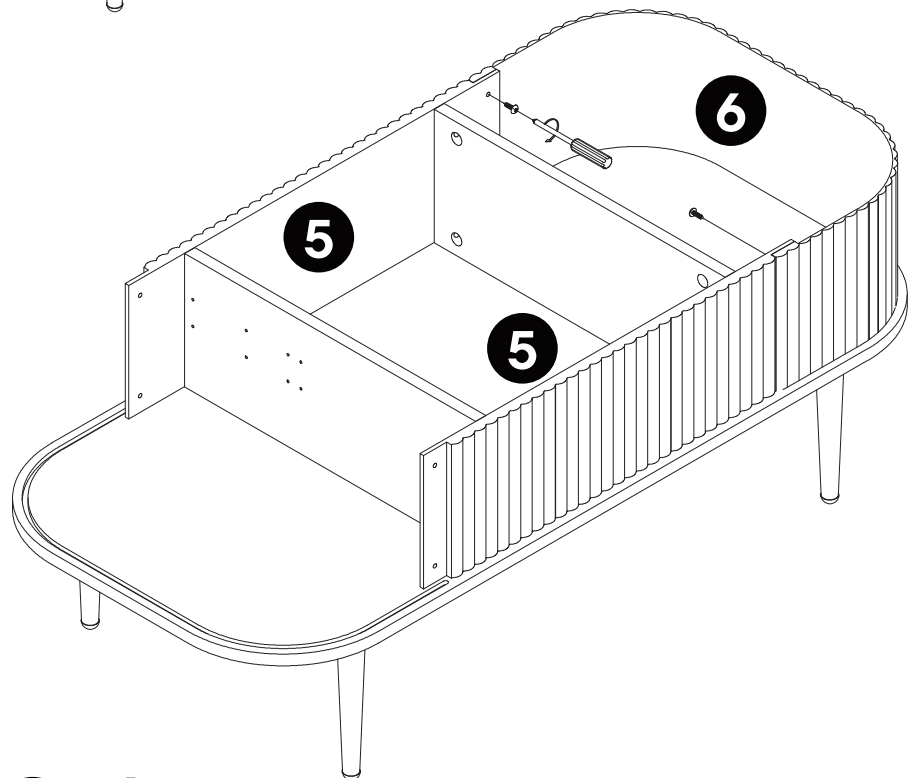
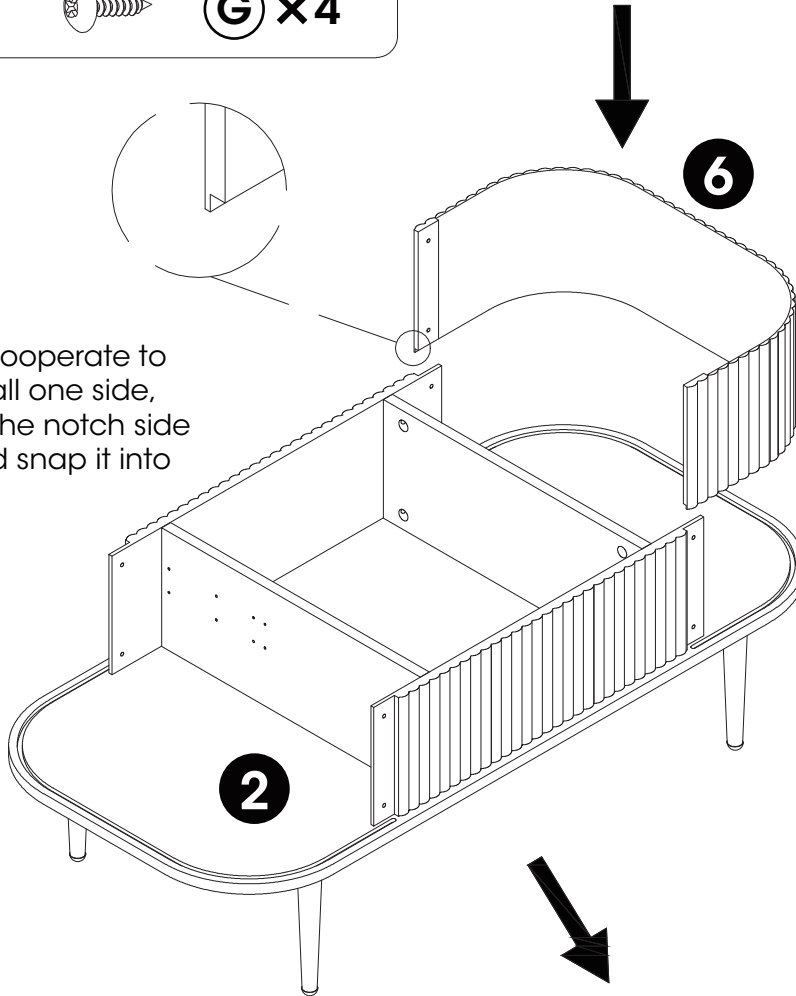
E x4



5

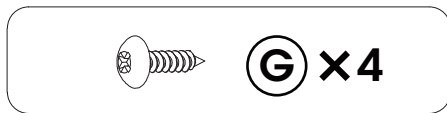


The two people cooperate to install ⑥, first install one side, pay attention to the notch side facing down, and snap it into the slot ②.

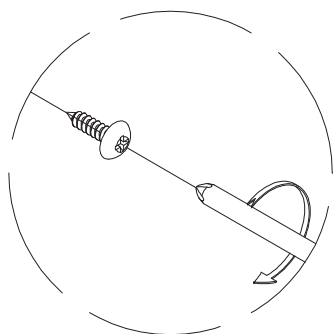
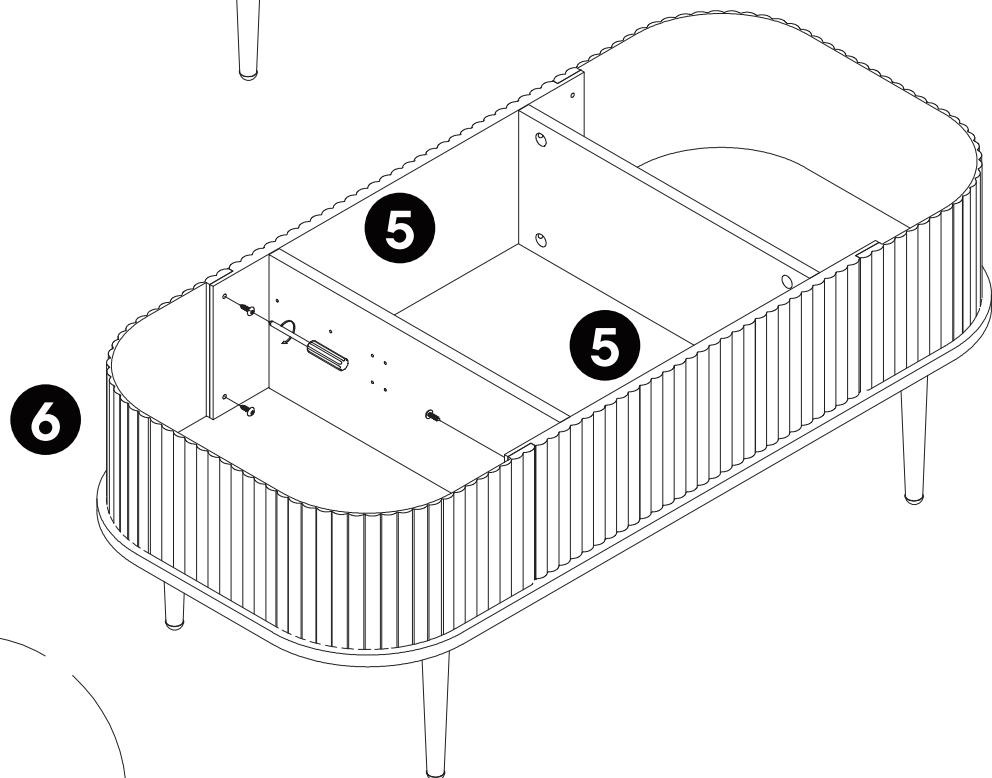
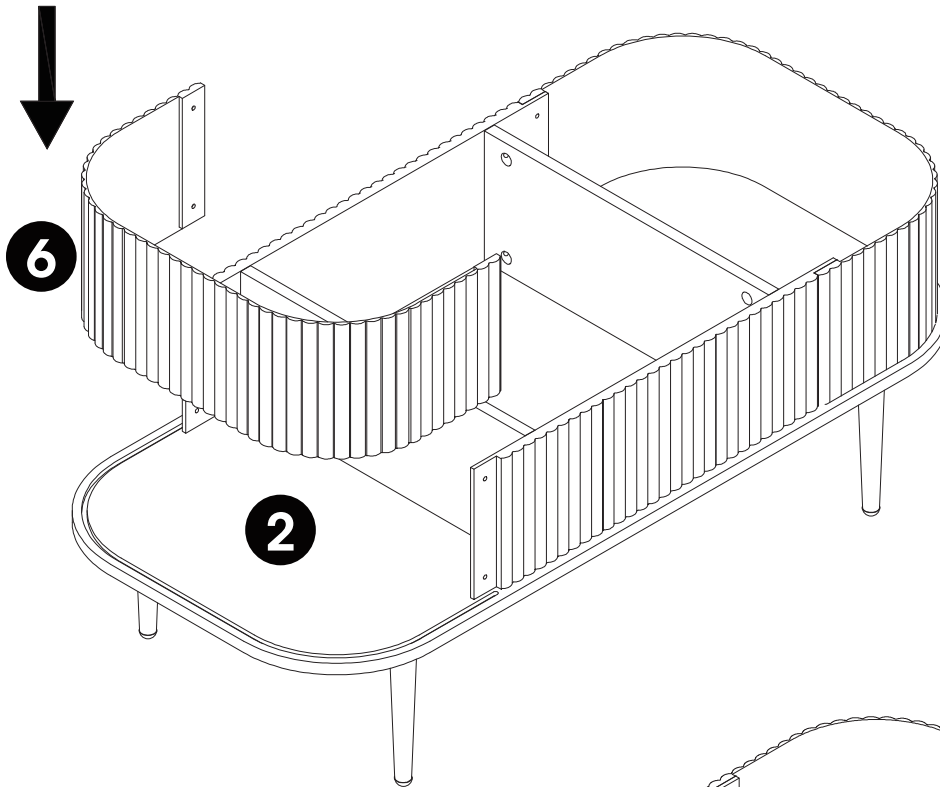


G x 4

6

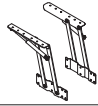


The two of them cooperated to install another one ⑥, ensuring that the notched side was facing downwards and fitted into the slot ②.



G x 4

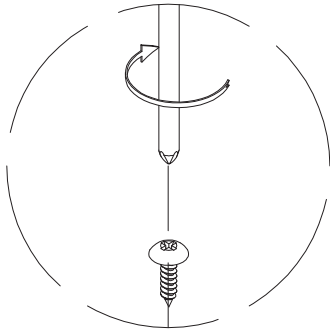
7



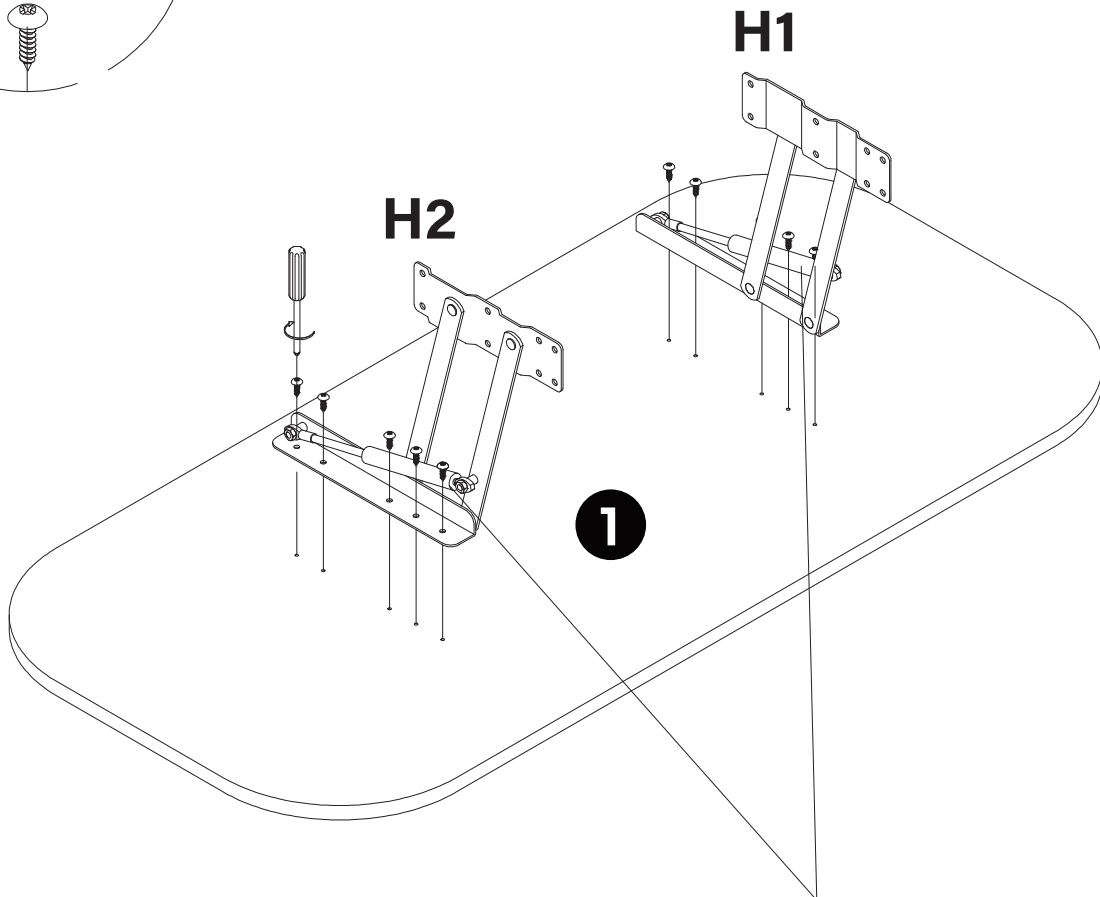
H x1



D x12

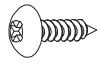


D x12

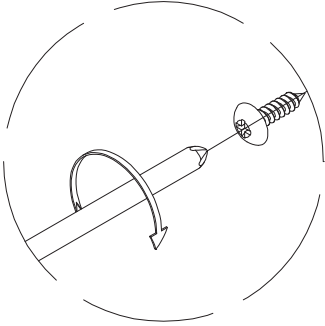


During installation, ensure that the air pressure rods are oriented towards the outside.

8

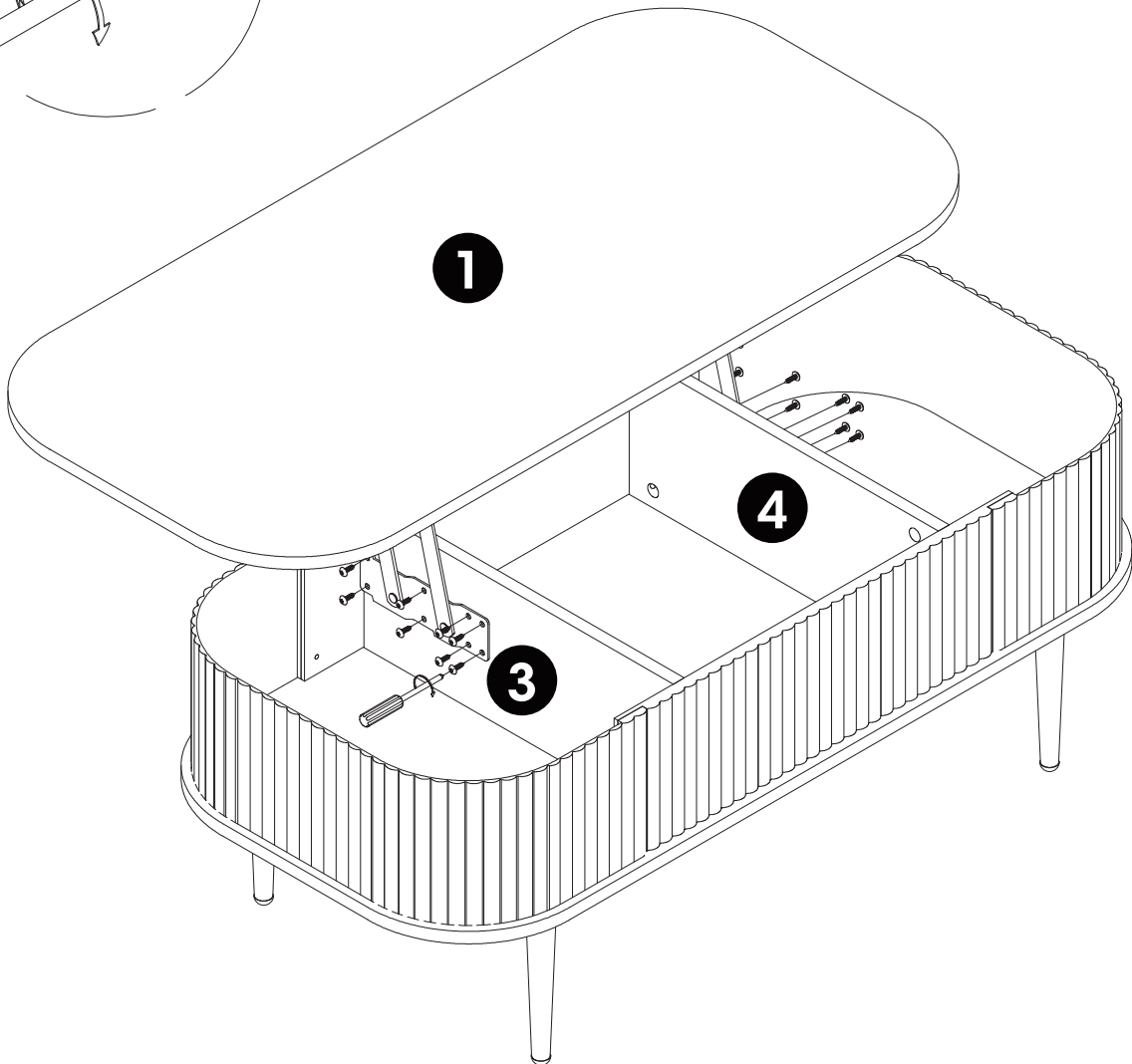


D x16

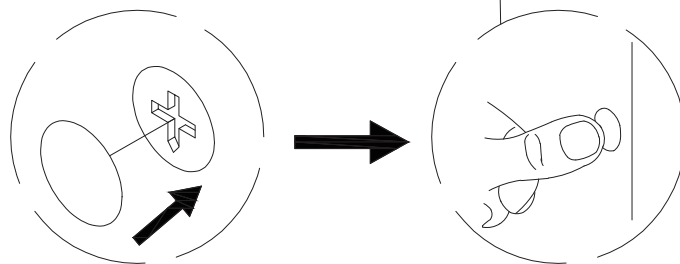
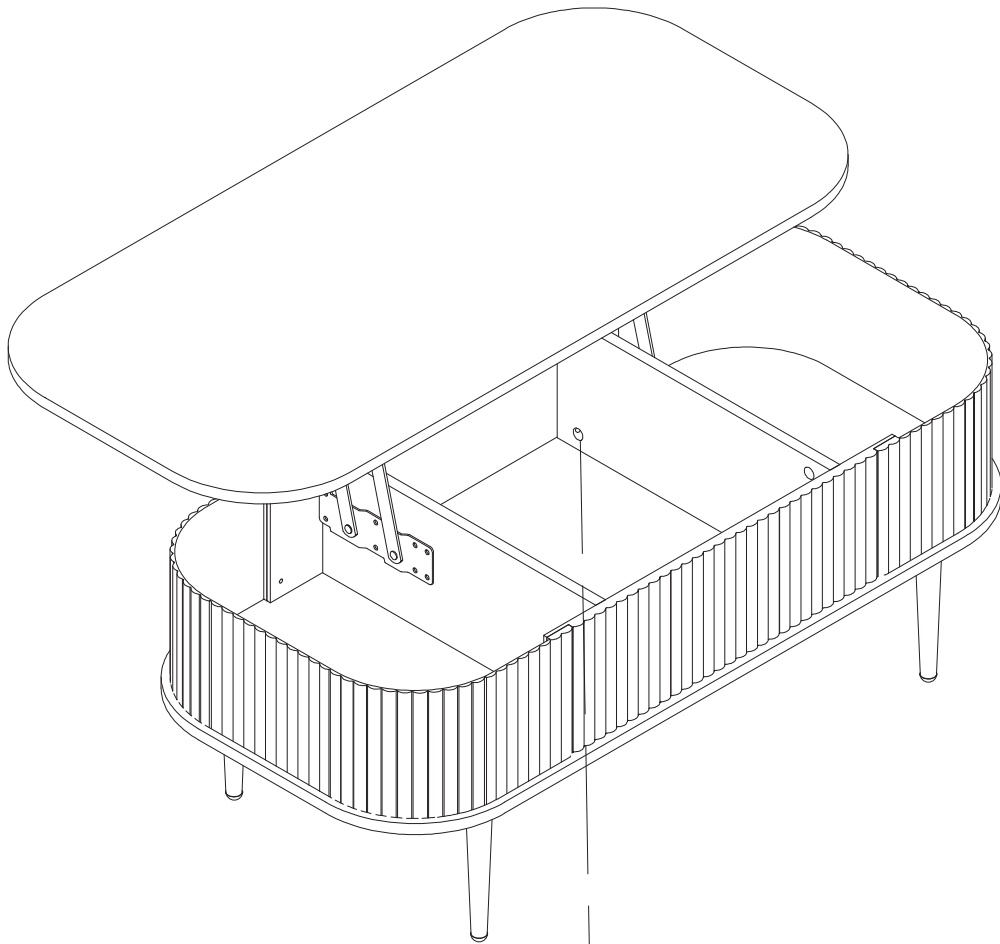
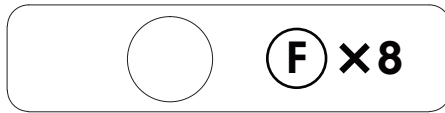


D x16

Two people cooperate to install ① onto ③④.



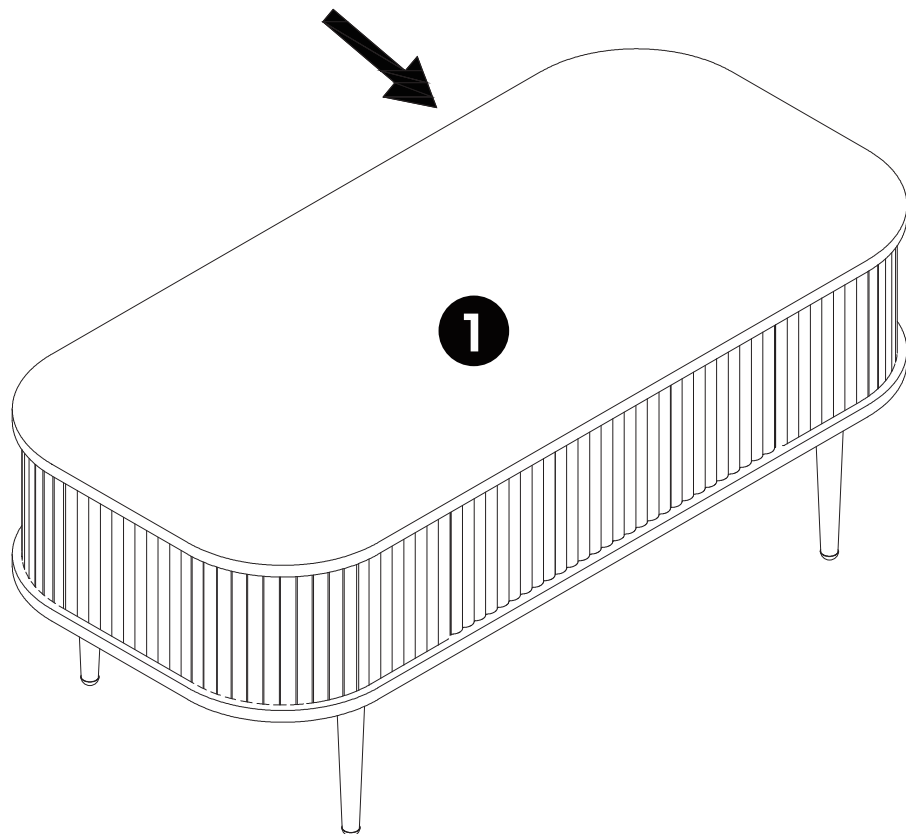
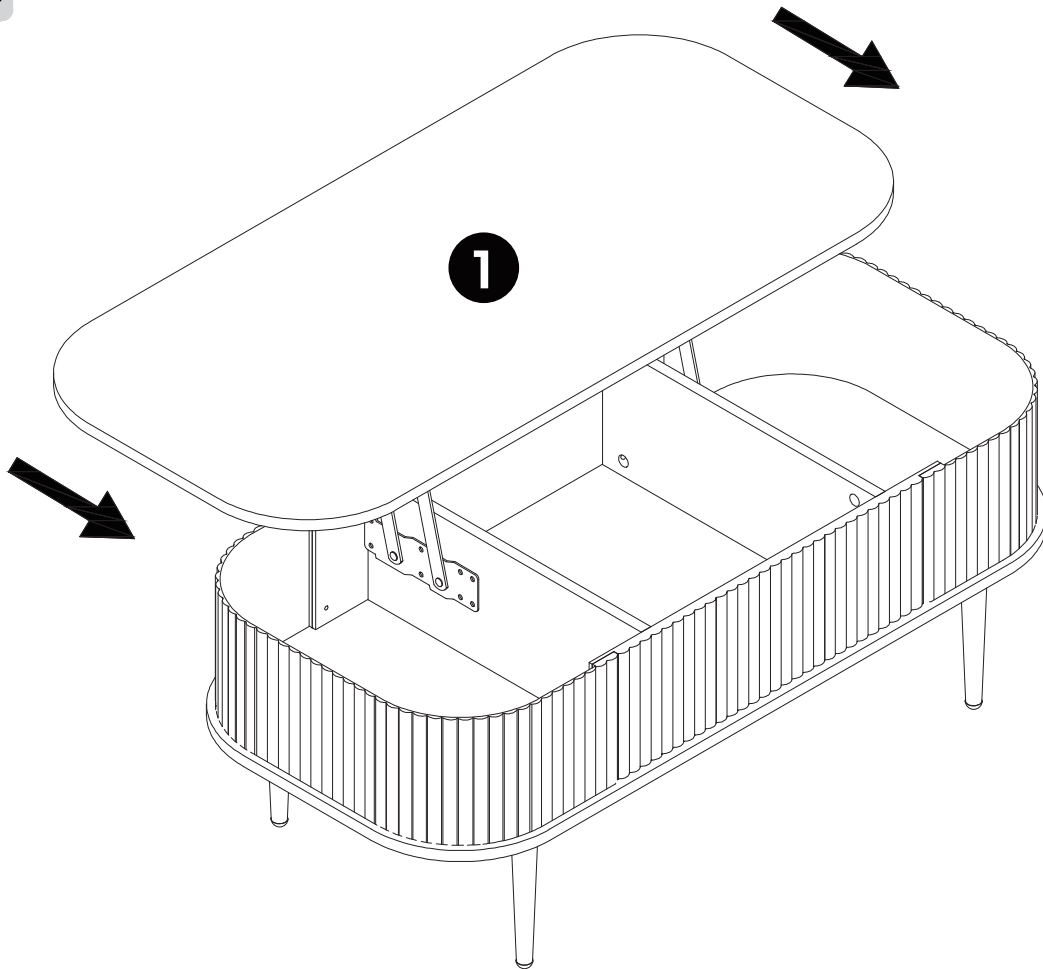
9



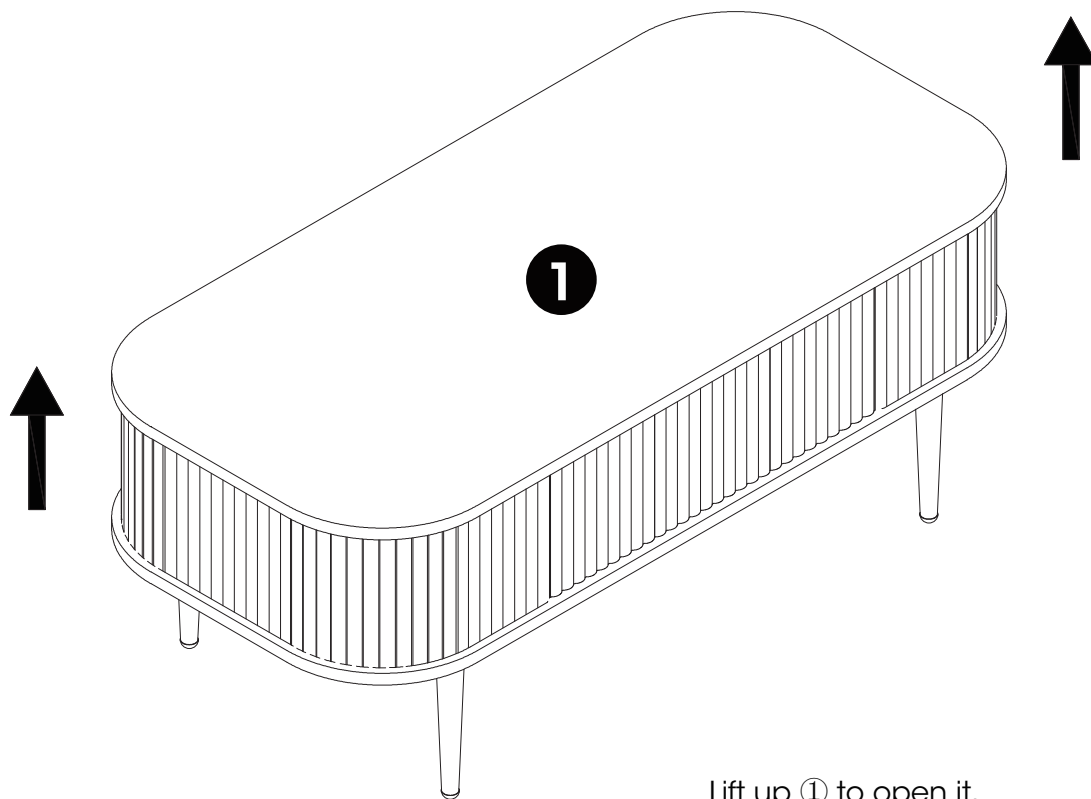
F x8

For a more aesthetically pleasing appearance, you can use F to cover the exposed hardware holes as needed.

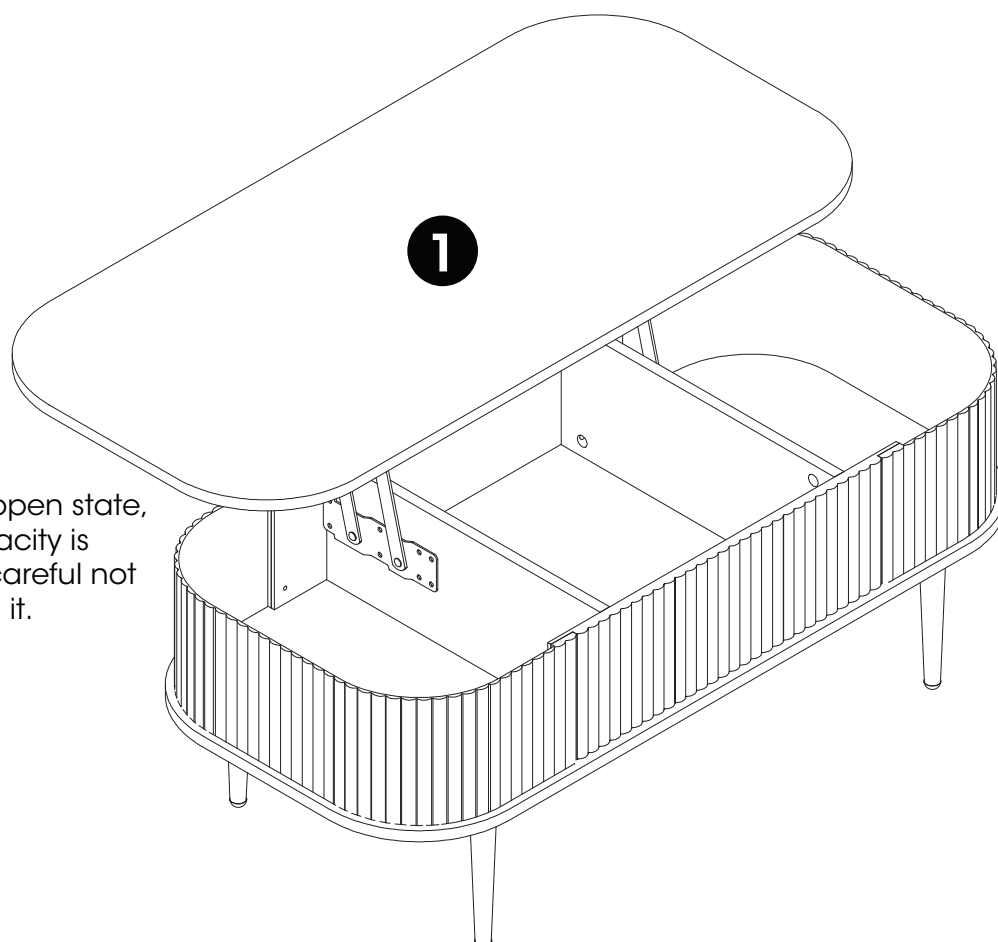
10



11



Lift up ① to open it.



Note: ① When in the open state, the load-bearing capacity is relatively light, so be careful not to tip over when using it.