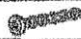


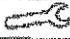







ASSEMBLY INSTRUCTION

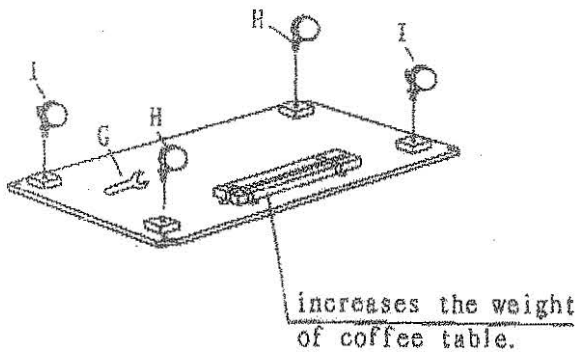
LIFT TOP COFFEE TABLE

NOTE: DON'T TIGHTEN SCREWS UNTIL COMPLETELY ASSEMBLED

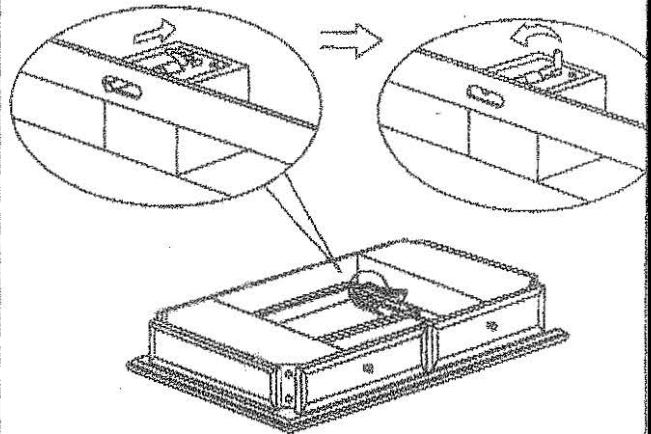
HARDWARE LIST

A		Ø1/4"X2"L	8 PCS	F			4 PCS
B		Ø1/4"X5/8" L	8 PCS	G			1 PC
C		Ø1/4"	16 PCS	H			2 PCS
D		Ø1/4" X19mm	16 PCS	I			2 PCS
E		4mm	1 PC				

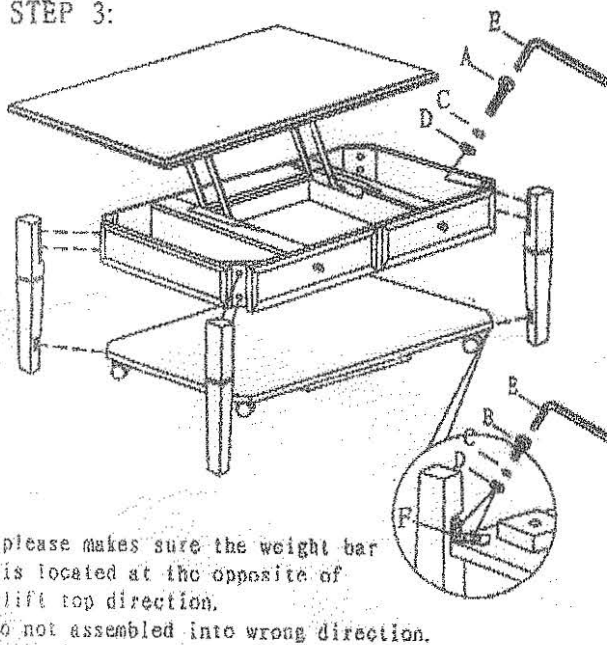
STEP 1:



STEP 2:



STEP 3:



STEP 4:

