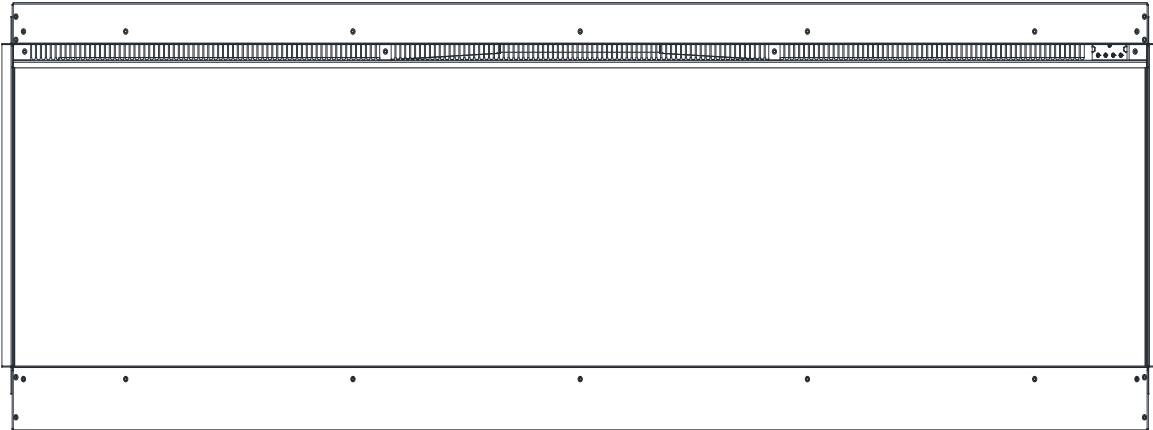


ELECTRIC FIREPLACE HEATER OWNER'S MANUAL

Three Sided Electric Fires

HML50/ID050023SDA50
HML60/ID050023SDA60
HML70/ID050023SDA72
HML80/ID050023SDA88
HML100/ID050023SDA00



⚠ WARNING

Read and understand this entire owner's manual including all safety information, before plugging in or using this product. Failure to do so could result in fire, electric shock, or serious personal injury.

⚠ CAUTION

Keep this owner's manual for future reference. If you sell or give this product away, make sure this manual accompanies this product.

Safety Precautions

Read these instructions completely before beginning installation. Failure to follow them could cause a heater malfunction resulting in serious injury and/or property damage.

WARNING: All electric heaters have hot and arcing or sparking parts inside. Do not use it in areas where gasoline, paint or flammable liquids are or are stored.

This fireplace meets the construction and safety standards of H.U.D. for application in manufactured homes when installed according to these instructions

- When using electrical heaters, basic precautions should always be followed to reduce the risk of fire, electric shock and injury to persons, including the following:.
- Failure to follow these instructions may also void your fire insurance and/or warranty.

- **WARNING: Improper installation, adjustment, alteration, service or maintenance can cause injury or property damage. Refer to this manual. For assistance or additional information, consult a qualified installer.**
- **CAUTION: Do not expose the heater to the elements (such as rain, etc).**
- **Do not place clothing or other flammable material on or near firebox. Never place any objects on the fireplace.**
- **Do not place clothing or other flammable material on or near firebox. Never place any objects on the fireplace.**
- **Fireplace becomes very hot when running. Keep children and adults away from hot surfaces to avoid burns or clothing ignition. Fireplace will remain hot for a time after shutdown. Allow surfaces to cool before touching.**



CAUTION: In order to avoid overheating, do not cover the heater.

FOR YOUR SAFETY

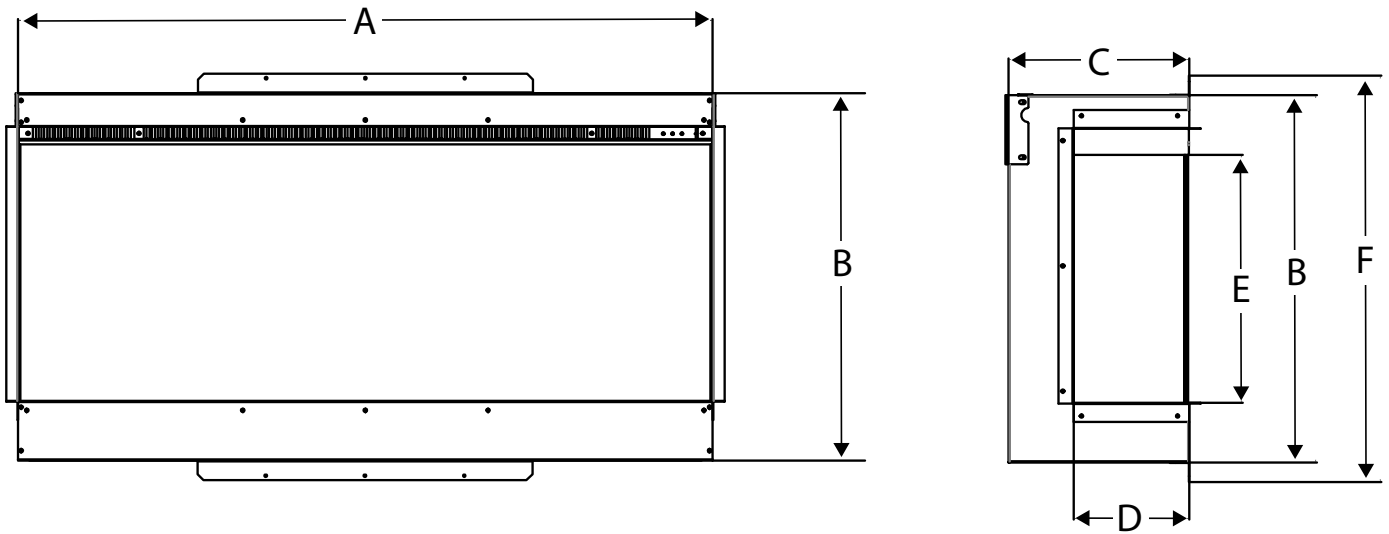
1. Read all instructions before installing or using this heater.
2. This heater is hot when in use. To avoid burns, do not let bare skin touch hot surfaces. Keep combustible materials, such as furniture, pillows, bedding, papers, clothes, and curtains at least 3 feet (0.9m) from the front of the heater and keep them away from the sides and rear.
3. Extreme caution is necessary when any heater is used by or near children or disabled people and whenever the heater is left operating and unattended.
4. Do not operate any heater after it malfunctions, has been dropped, or damaged in any manner. Disconnect power at service panel and have heater inspected by an authorized technician or a reputable electrician before using.
5. Do not use outdoors.
6. To disconnect heater, turn controls to off and turn off power to heater circuit at main disconnect panel.
7. Do not insert or allow foreign objects to enter any ventilation or exhaust opening as this may cause an electric shock or fire, or damage the heater.
8. To prevent a possible fire, do not block air intakes or exhaust in any manner.
9. A heater has hot and arcing or sparking parts inside. Do not use it in areas where gasoline, paint or flammable vapours or liquids are used or stored.
10. Use this heater only as described in this manual. Any other use not recommended by the manufacturer may cause fire, electric shock or injury to persons.
11. SAVE THESE INSTRUCTIONS

Table of Contents

Safety Precautions	2
Table of Contents	3
Specifications	4
Dimensions:	4
Box Contents	5
Initial Installation	6
Electrical Requirements:	6
Installation - Wiring	7
Standard 1500W:	7
Optional 3000W:	7
Installation - Framing & Finishing	8
3 Side (Bay) Installation:	8
2 Side (Left / Right Corner) Installation:	9
Flush (Linear) Installation:	10
Partial Recess:	11
Installation - Front & Side Glass	12
Operation - Manual Controls	13
Operation - Remote Controls	14
Operation - Wi-Fi Controls	15
Operation - Wi-Fi Controls	16
Operation - Wi-Fi REMOTE	17
Operation - Wi-Fi REMOTE	18
Operation - Wi-Fi REMOTE	19
Operation - Wi-Fi REMOTE	20
Operation - Wi-Fi REMOTE	21
Operation - Bluetooth Controls	22
Troubleshooting	23

Specifications

DIMENSIONS:



MODEL	A	B	C	D	E	F
HML50	50" (1270MM)	20.5" (521MM)	11.2" (285MM)	7.72" (186MM)	15" (381MM)	23.03" (585MM)
HML60	60" (1524MM)					
HML70	72" (1828MM)					
HML80	88" (2235MM)					
HML100	100" (2540MM)					

Figure 1: Fireplace Dimensions

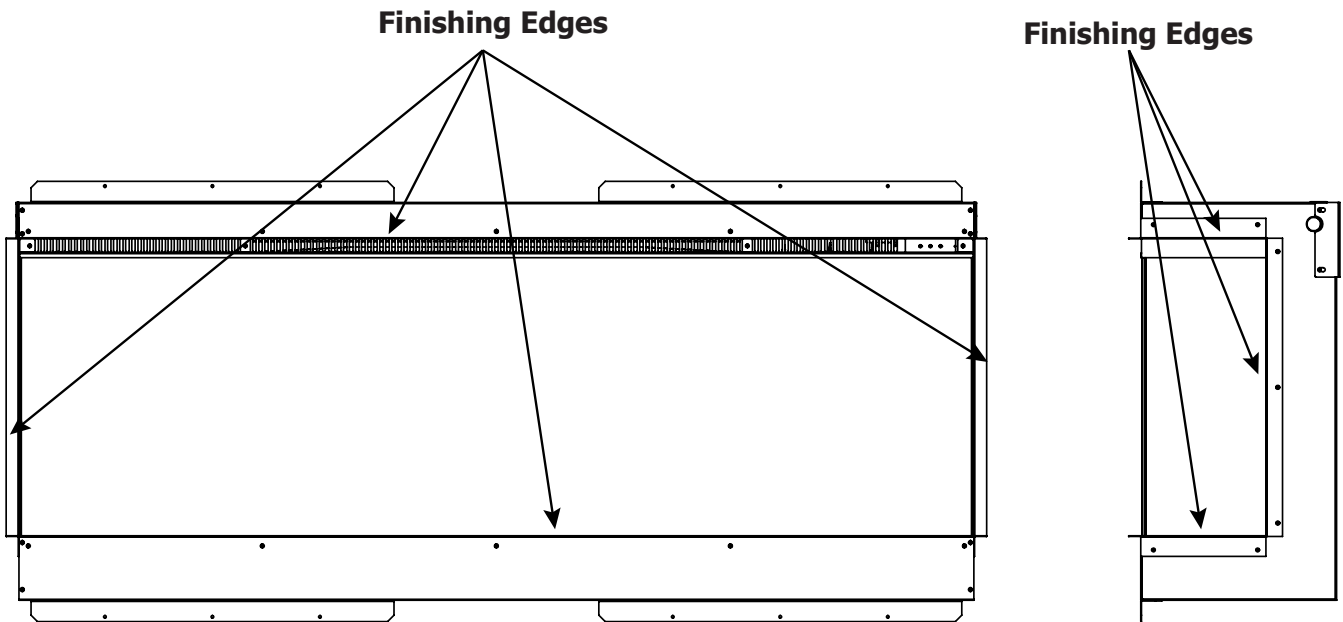
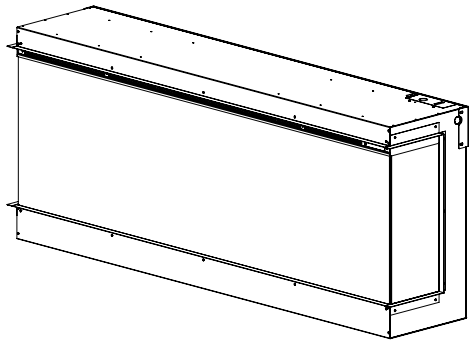


Figure 2: Drywall / Tiling Finishing Edges

Box Contents

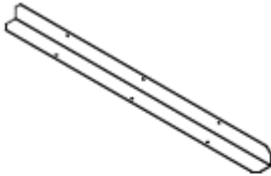
(Items shown not to scale)



FIREPLACE



REMOTE CONTROL



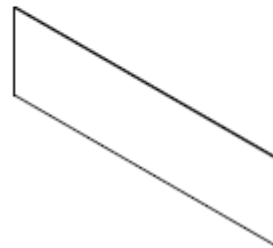
**MOUNTING
L -BRACKETS (X4)**



SIDE COVERS (X2)



SIDE GLASS (X2)



FRONT GLASS



SUCTION CUPS



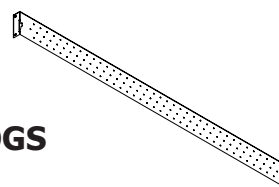
GLOVES (x2)



**GLASS MEDIA STONES
(N) BLACK & WHITE**



ARTIFICIAL RESIN LOGS



**WALL MOUNT
BRACKET**

Initial Installation

WARNING: If the information in these instructions is not followed exactly, a fire or explosion may result causing property damage, personal injury or death

WARNING: RISK OF FIRE!

To prevent a possible fire, do not block air intake or exhaust in any manner. Do not use on soft surfaces where openings may become blocked. Do not blow or place insulation against the firebox.

To reduce the risk of fire do not store or use gasoline or other flammable vapors in the vicinity of this or any other heater.

CAUTION: Keep combustible materials, such as furniture, pillows, bedding, papers, clothes and curtains at least 3 feet (0.9m) from the front of the heater and keep them away from the sides and rear.

CAUTION: Wear gloves and safety glasses for protection during installation and maintenance.

INSTALLING THE FIREPLACE

Select a suitable location that is not susceptible to moisture and is a safe distance from drapes, furniture and high traffic areas.

This fireplace has a number of installation options. It can be installed with all 3 sides showing (bay), 2 sides showing (left/right corner), or flush (linear). In addition, it may also be partially recessed for a floating installation.

ELECTRICAL REQUIREMENTS:

For models using the standard 1500W heater, a dedicated 20 AMP 120VAC circuit will be required. If installing the optional 3000W heater, a dedicated 20 Amp 4 wire 240VAC circuit will be required instead.

Note - Follow all national and local electrical and building codes.

ALL MODELS			
HEATER OPTION	VOLTS (AC)	HZ	AMPS
1500W	120	60	14
3000W	240	60	14

Figure 3: Electrical Requirements

Installation - Wiring

To be performed by a qualified electrician according to local building codes.

To prepare for installation locate and remove the electrical cover on the top rear of the fireplace. Connect the incoming hard wire to the terminal block according to the figure below, using a wiring connector type approved by local building codes.

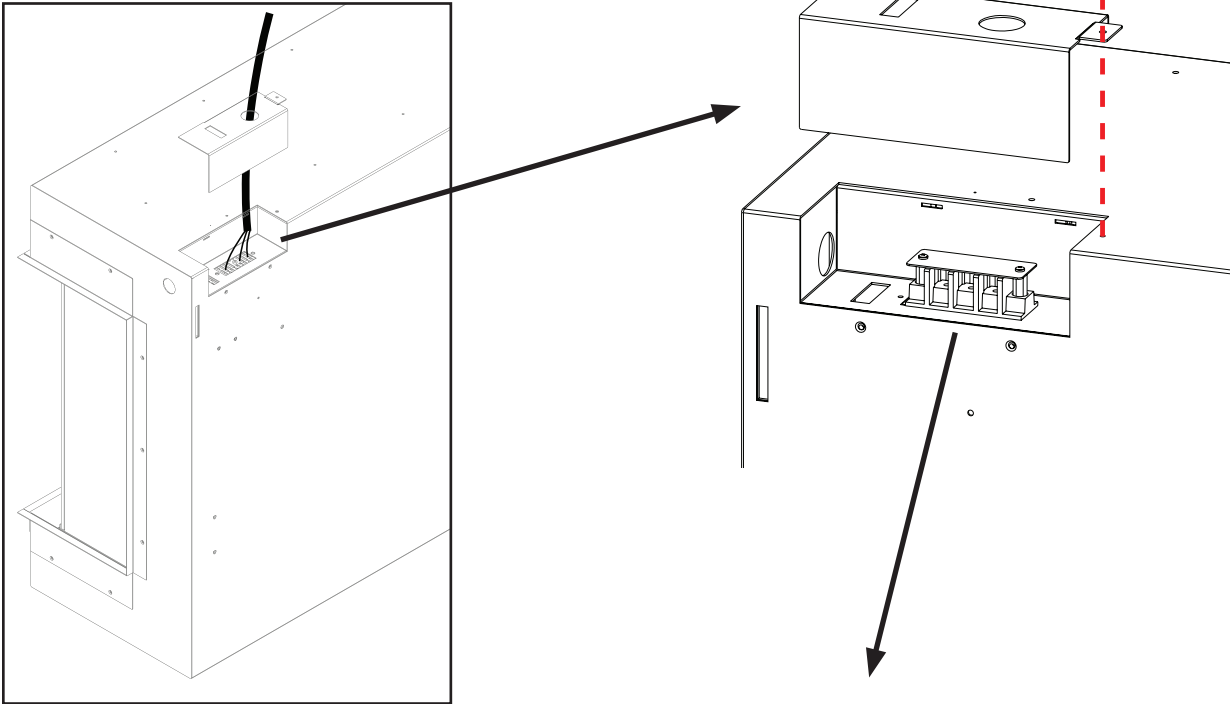


Figure 4: Electrical Cover Location

For fireplaces with the standard 1500W heater, a 3 wire 120VAC line will be required. A dedicated 20 Amp 3 wire circuit will be required. Follow the 3-pole wiring diagram as shown.

Standard 1500W Wiring

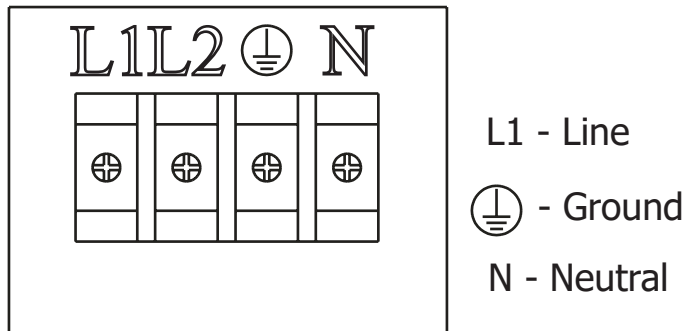


Figure 5: 1500W Wiring Diagram

For fireplaces with the optional 3000W heater, a 4 wire 220-240VAC line MUST be used. A dedicated 20 Amp 4 wire circuit will be required. Follow the 4-pole wiring diagram as shown.

Optional 3000W Wiring

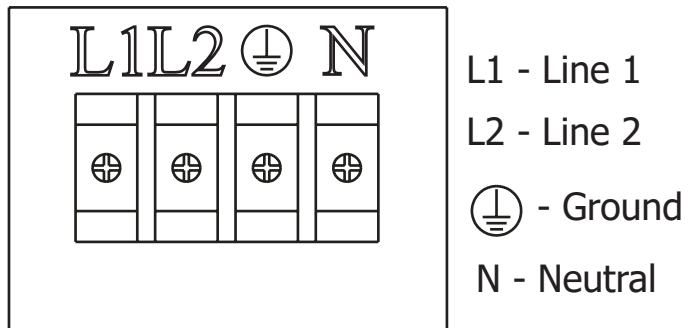


Figure 6: 3000W Wiring Diagram

Installation - Framing & Finishing

FRAMING DIMENSIONS			
MODEL	WIDTH	DEPTH	HEIGHT
HML50	50 5/16" (1278MM)	11 7/10" (297MM)	21 1/10" (535MM)
HML60	60 5/16" (1532MM)		
HML70	72 5/16" (1836MM)		
HML80	88 5/16" (2243MM)		
HML100	100 5/16" (2548MM)		

Figure 7: Framing Dimensions

1. Prepare the framed opening according to the chart above.

*Provide appropriate dedicated circuit for hard wire install at the top right of framed opening.

3 Side (Bay) Installation

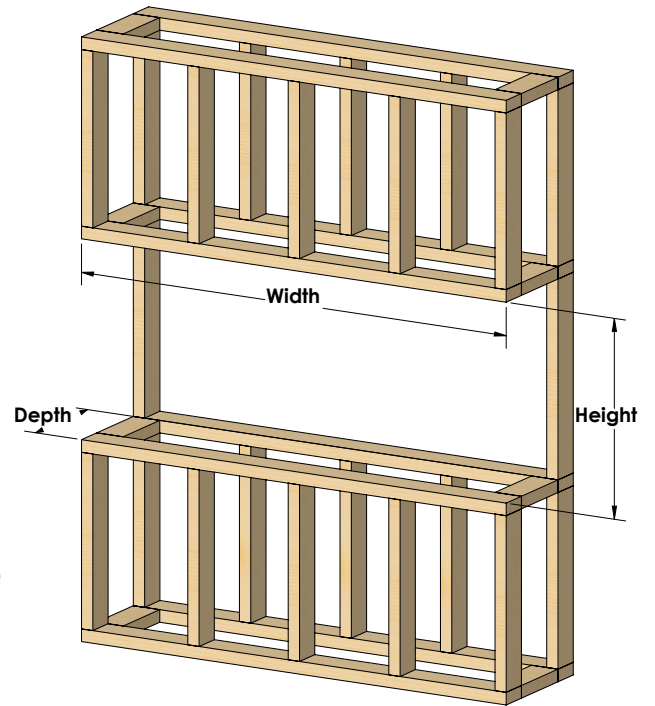


Figure 8: Typical Bay Fireplace Framing

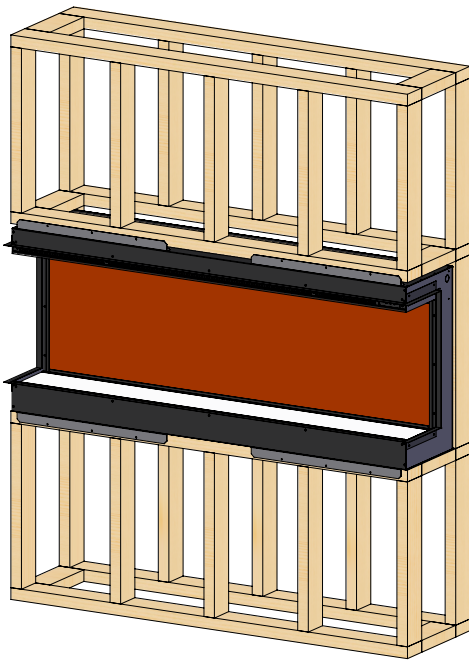


Figure 9: Bay Fireplace Installed

2. Install the supplied mounting L-Brackets.

3. Install the fireplace in the framed opening using minimum 1 1/4" long drywall screws to secure the unit.

4. Mask off / cover the fireplace during the finishing process. Install desired finishing material to the finishing edges on the perimeter of the firebox. For more information on the location of the finishing edges see page 4.

5. Install the firebox media and/or log set of choice (not included with the fireplace) following the instructions supplied with the media.

6. Install the side and front glass pieces according to the instructions on page 12.

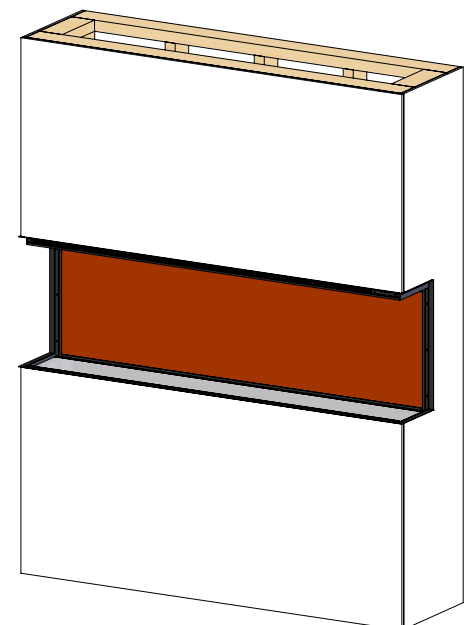


Figure 10: Bay Fireplace Finished

Installation - Framing & Finishing

2 Side (Left/ Right Corner) Installation

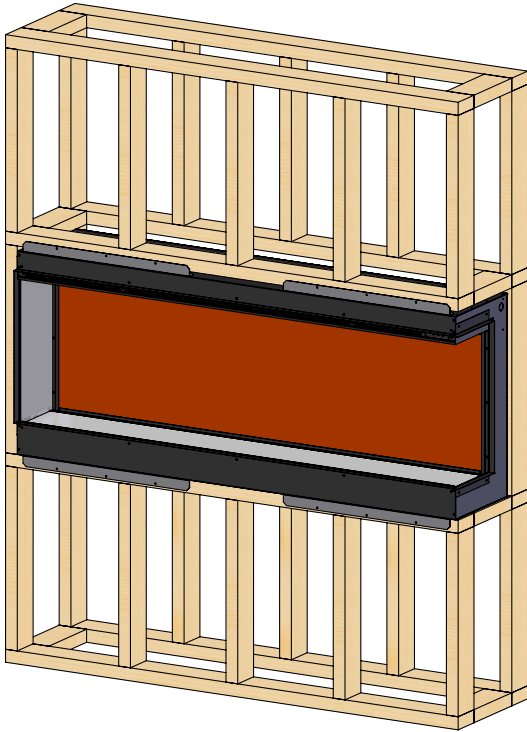


Figure 11: Typical Corner Fireplace Framing

6. Mask off / cover the fireplace during the finishing process. Install the desired finishing material to the finishing edges on the perimeter of the firebox. For more information on the location of the finishing edges see page 4.

7. Install the firebox media and/or log set of choice (not included with the fireplace) following the instructions supplied with the media.

8. Install the remaining side and front glass pieces following the instructions on page 12.

1. Follow steps 1 & 2 from the 3 sided installation instructions.
2. Remove the corresponding finishing edges according to your chosen installation (in the figure shown, the finishing edges on the left side would be removed.)
3. Install the side glass corresponding to your installation.

Note - the side glass must be installed before the metal side cover. See instructions on Page 12.

4. Install the supplied side cover over top of the side glass using the same screw locations and fasteners used by the removed finishing edge.

5. Install the fireplace in the framed opening using minimum 1 ¼" long drywall screws to secure the unit.

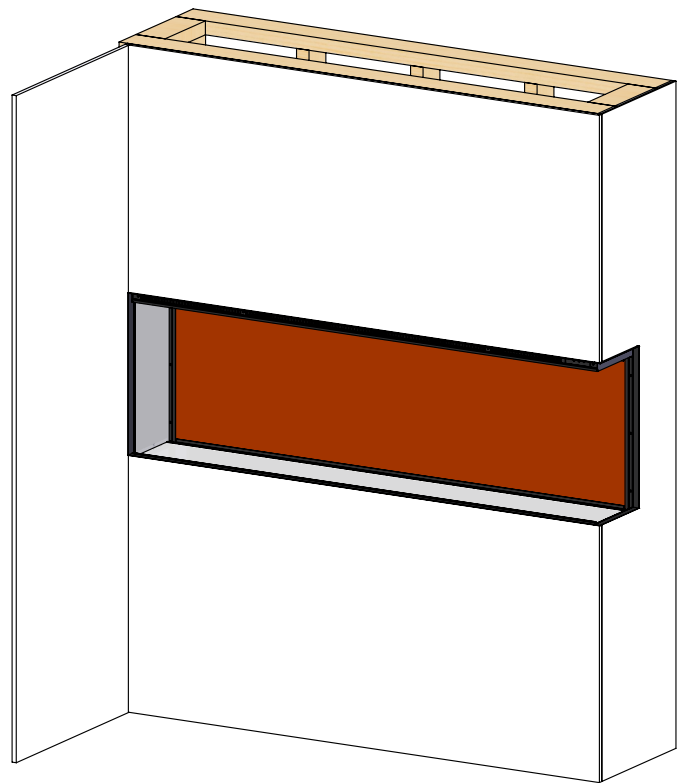


Figure 12: Corner Fireplace Finished

Installation - Framing & Finishing

Flush (Linear) Installation

1. Follow steps 1 & 2 from the 3 sided installation instructions.
2. Install both supplied side covers. Refer to the section *Installation - Optional Side Covers* for the instructions on how to install the side covers

Note - the side glass must be installed before the metal side covers.

3. Install the fireplace in the framed opening using minimum 1 ¼" long drywall screws to secure the unit.

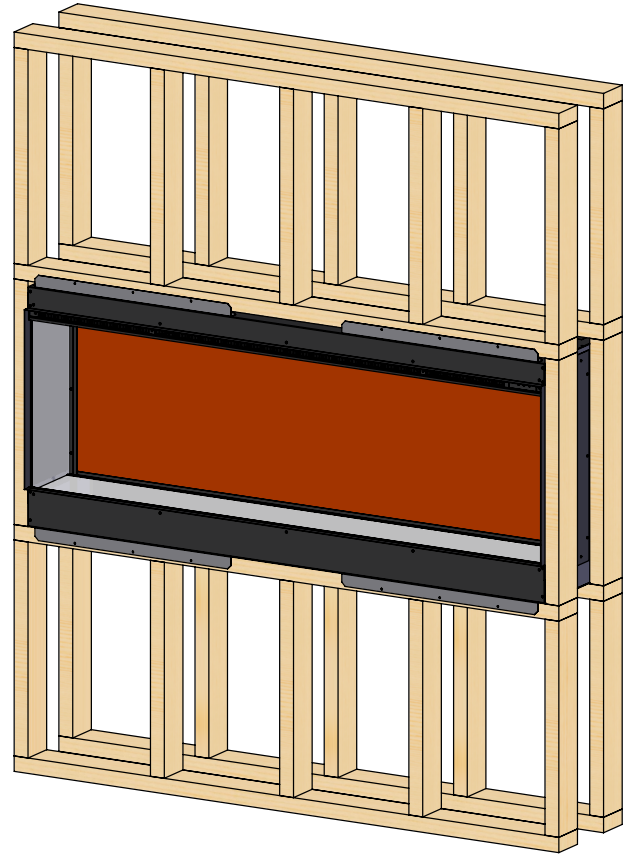


Figure : Typical Linear Fireplace Framing

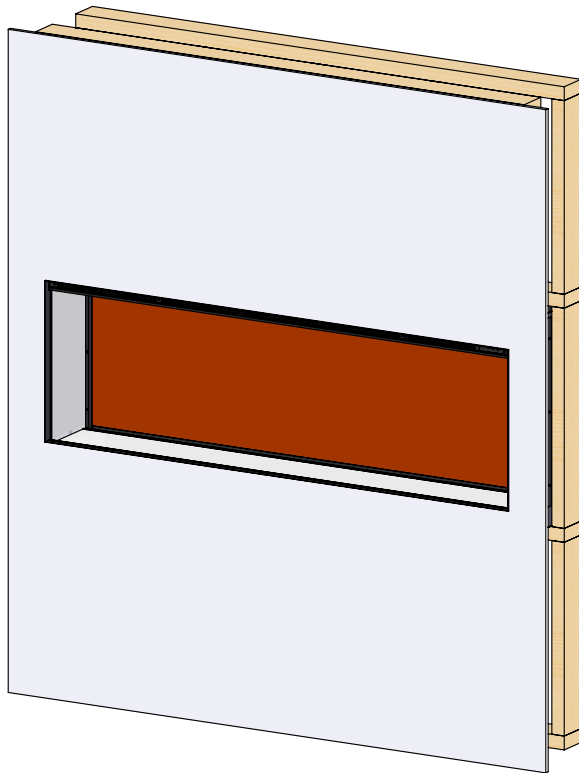


Figure : Linear Fireplace Finished

4. Mask off / cover the fireplace during the finishing process. Install desired finishing material to the finishing edges on the perimeter of the firebox. For more information on the location of the finishing edges see page 7 and 8.
5. Install the firebox media and/or log set of choice (not included with the fireplace) following the instructions supplied with the media.
6. Install the front glass piece following the instructions on page 14.

Installation - Framing & Finishing

Partial Recess Installation

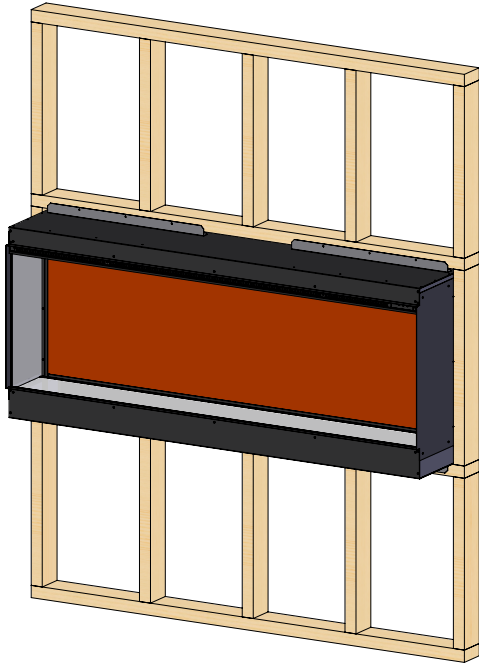


Figure : Fireplace Installed Partially Recessed

This installation style is optimized for 2x4 framed interior walls.

1. Prepare the framed opening following the required width and height of the selected model in the table on page 7 and 8.

*Provide appropriate dedicated circuit for plug & play install at the top right of framed opening.

2. Install the four supplied mounting L-Brackets using the second set of holes in the cabinet, closer to the back of the fireplace.

3. Install both supplied side covers. Refer to the section *Installation - Optional Side Covers* for the instructions on how to install the side covers

Note - the side glass must be installed before the metal side covers.

4. Install the fireplace in the framed opening using minimum 1 ¼" long drywall screws to secure the unit.

5. **The fireplace must be covered with a finishing material.** Non-combustible material is not required. Mask off / cover the fireplace during the finishing process. Install the desired finishing material to the finishing edges on the perimeter of the firebox. For more information on the location of the finishing edges see page 7 and 8.

6. Install the firebox media and/or log set of choice (not included with fireplace) following the instructions supplied with media.

7. Install the side and front glass pieces according to the instructions on pages 13 and 14.

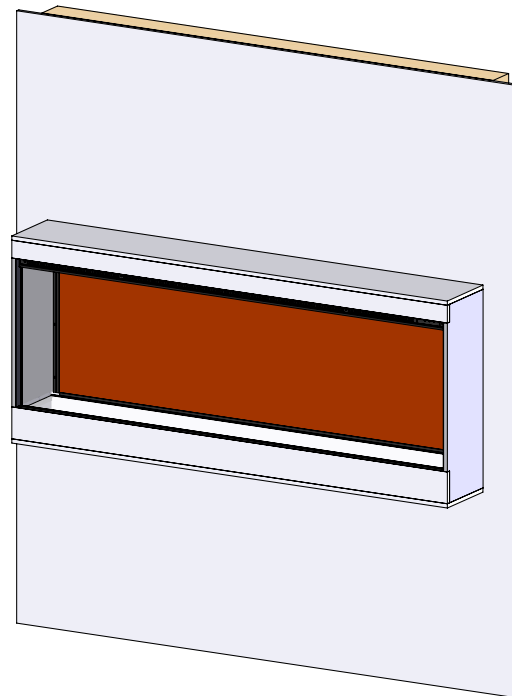


Figure : Partial Recess Finished

Installation - Front & Side Glass

Side Glass Installation

The fireplace has a top and bottom channel on each side to hold the side glass in place.

1. Insert side glass at an angle into the top channel
2. Swing the bottom edge of the side glass into the firebox
3. Slide the side glass down into the bottom channel
4. Push the side glass back until it stops.

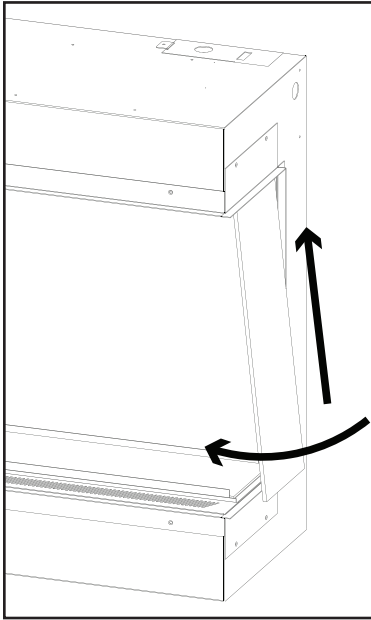


Figure 18: Side Glass - Step 1

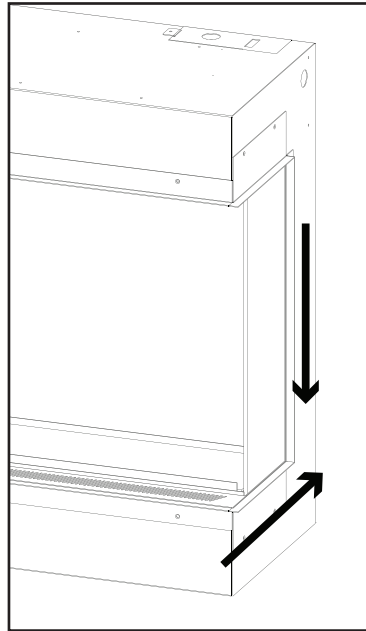


Figure 19: Side Glass - Step 2

Front Glass Installation

The fireplace has a bottom channel and a top retainer to hold the front glass in place.

1. Using the suction cups supplied with the fireplace insert the front glass at an angle into the bottom channel
2. Stand the front glass up straight until it touches the front of the fireplace
3. Install the top retainer bracket using a Phillips head screwdriver

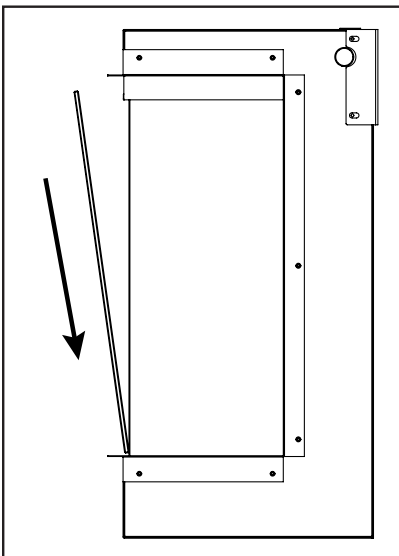


Figure 20: Front Glass - Step 1

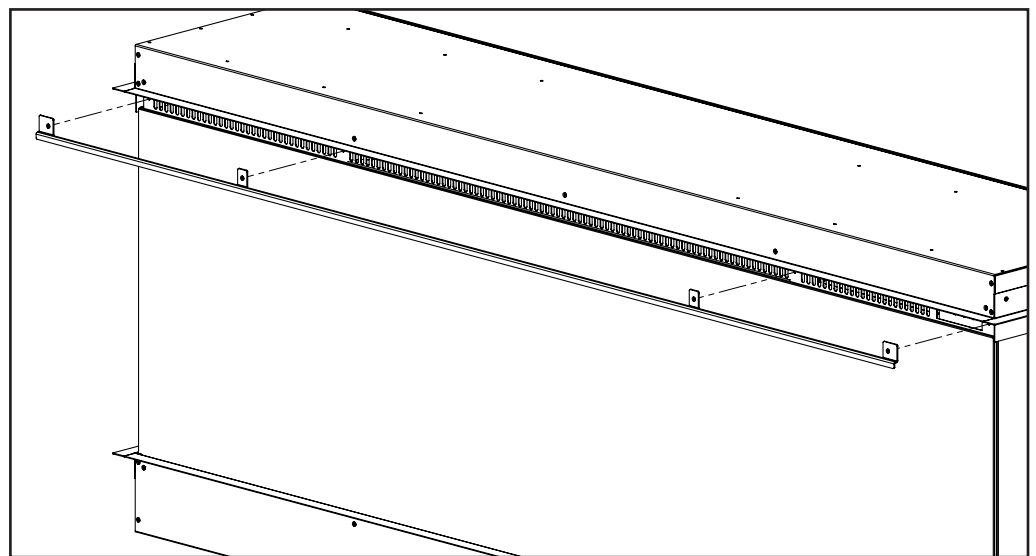


Figure 21: Front Glass - Step 2

Operation - Manual Controls

For manual control of the fireplace there is a control panel located just above the front glass at the top right hand side. The control panel consists of 4 touch buttons which are Power, Heat and Colour from left to right. To the right of the Colour button is the Reset button.

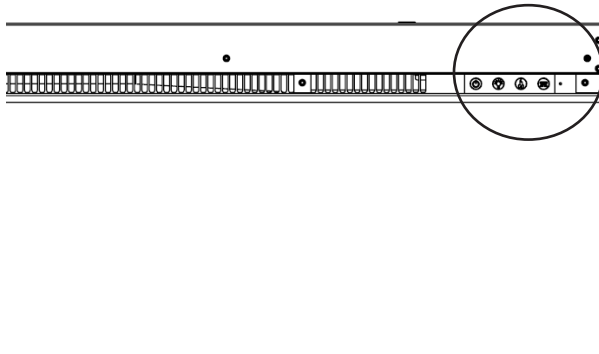


Figure 22: Control Panel Location

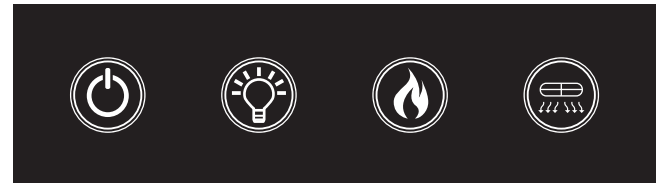


Figure 23: Control Panel



Power - Press to turn fireplace on and off



Dimmer - Press once to change the flame brightness, press again until desired flame brightness setting is reached. Hold on for 5 seconds to enter into Wi-Fi pairing mode.



Heater - Press once to turn the fireplace heater on low. Press twice to turn the heater up to high. Press button again to turn heater off.



Colour - Press the colour button to change among 7 different colors, hold on this button for 3 seconds to turn on or turn off the crackle sound .



Reset - Clears the fireplace memory of any paired remotes. Insert a paper clip or stick pin into the pin hole and hold for 3 seconds until a “beep” is heard. The fireplace is now ready to pair to a new remote. See Remote Controls section of manual for pairing instructions.

Indicator Lights: Hidden behind the rear flame panel of the fireplace, in the upper right corner, are a set of indicator lights that illuminate momentarily when the fireplace is turned on to identify the status of fireplace:

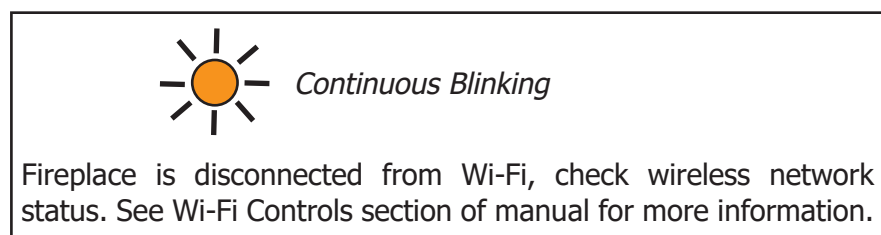


Figure 24: Indicator Light Scenarios

Operation - Remote Controls













The fireplace may also be controlled using the supplied remote. The remote control is capable of making many fireplace setting adjustments that are not possible with the manual controls. To use the remote it must first be paired to the fireplace.

Pairing the Remote to the fireplace:

1. Manually turn the fireplace on by pressing the POWER button on the control panel
2. Press the power button again and hold it down for 5 seconds until three "beeps" are heard. The first orange indicator light should now be flashing.
3. Within 5 seconds, repeatedly press the power button on the remote until a "beep" is heard and the orange indicator light has stopped flashing. Pairing must be done within 5 seconds of hearing the two "beeps" or else the fireplace will exit pairing mode.

Method of Operation

Wireless Remote Control Functions

	Power button	The machine can be turned on and off cyclically	
	Color ring	Adjustable global or single group color	
	Dimmer	Adjustable global or single group brightness	
	Flame selection button	After selection, you can adjust the flame color, brightness and mode	
	Ambient Light selection button	After selection, you can adjust the ambient light color, brightness	
	Ember bed light selection button	After selection, you can adjust the ember bed light color, brightness	
	Mode button	Adjustable global or single group light flashing mode	
	Timer button	1-9H timer setting	
	Heater	Heater switch low-high-off continuous cycle	
	Sound button	Crackle sound ON/OFF	
	Reset	Reset to default state	

Remote Control Operation

- This remote control uses 1 CR2450 batteries
- To improve operation of the remote control, aim the remote control at the front of the fireplace. **DO NOT PRESS the buttons too quickly.** Give the unit time to respond to each command.
- **NOTICE: NEVER** dispose of batteries in fire. Failure to observe this precaution **may result in an explosion.** Dispose of batteries at your local hazardous material processing center.

Operation - Wi-Fi Controls

This fireplace is also capable of being controlled over Wi-Fi using an Apple or Android mobile device. Scan the QR code for an instructional walk through video on how to download and setup the app needed to control your Uptown Electric fireplace. Alternatively, you can follow the steps below.



Figure 29: QR Code for downloading Android/ iOS App



1. Download the app **Smart Life - Smart Living**, from either the Apple App Store or Google Play Store, and create a new user account.

2. Turn on the fireplace using either the control panel or remote control.

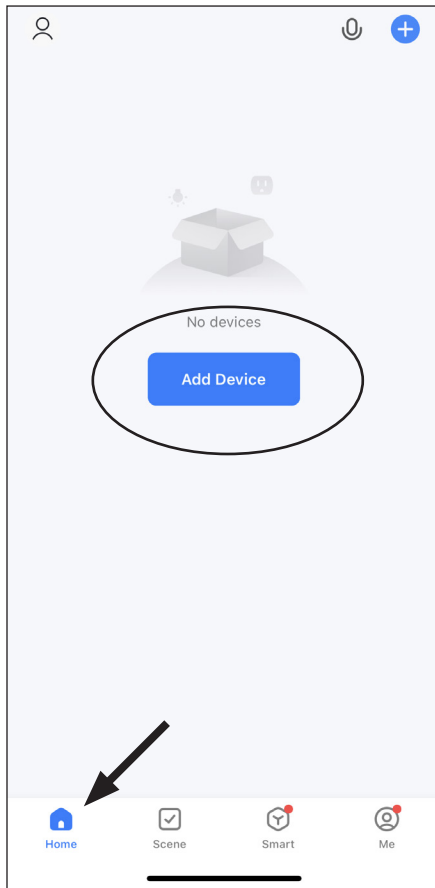


Figure 27: Add Device

3. Navigate to the **Home** screen in the app and press the **Add Device** button.

4. On the Add Device screen select the **Small Home Appliances** category then pick **Electric Fireplace (Wi-Fi)**.

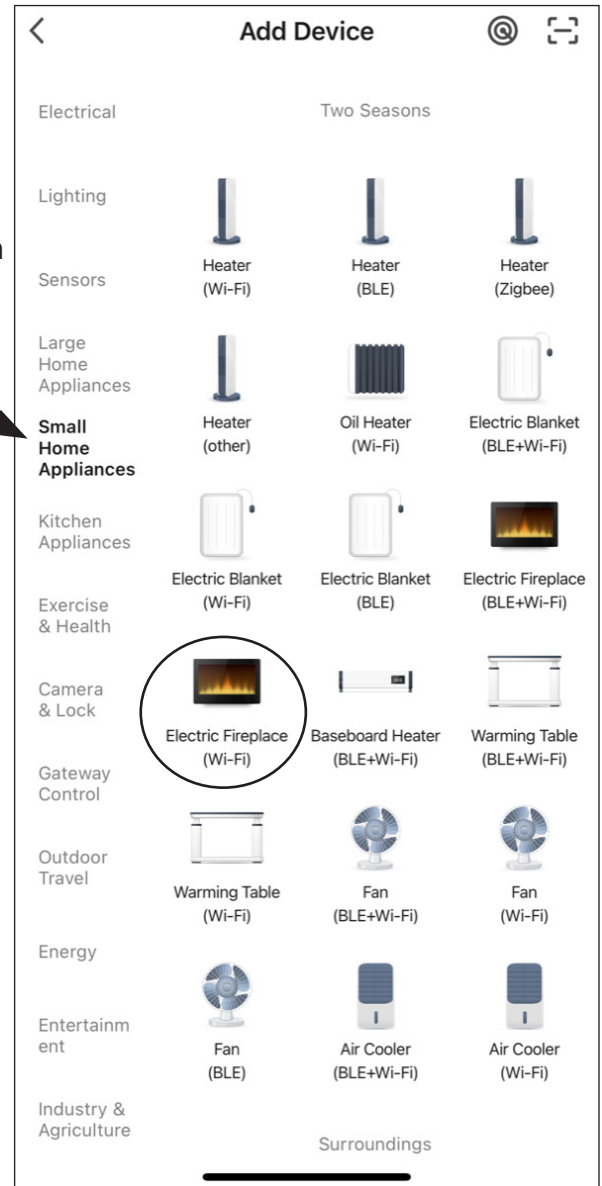


Figure 28: Appliance Selection

Operation - Wi-Fi Controls

5. Next you will be prompted to connect to your existing home wireless network. Select the appropriate 2.4GHz network and log in.

Note - Only 2.4GHz wireless networks are compatible, 5GHz wireless networks cannot be used. If not available, contact your wireless service provider for further information on setting up a 2.4GHz wireless network.

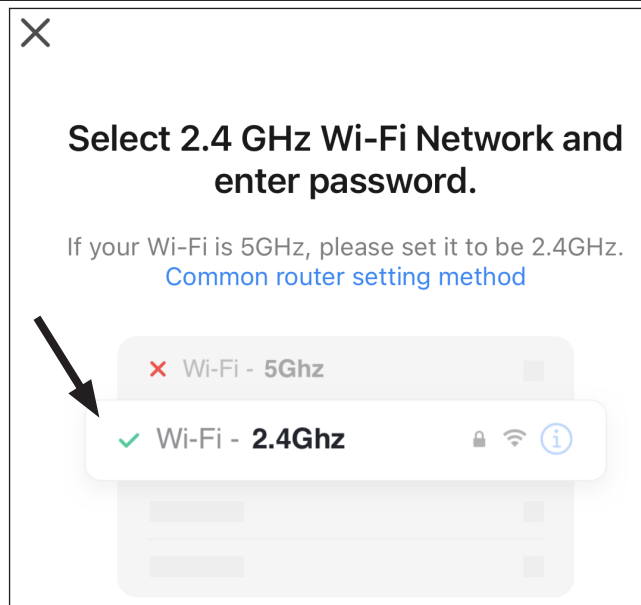


Figure 29: Network Connection

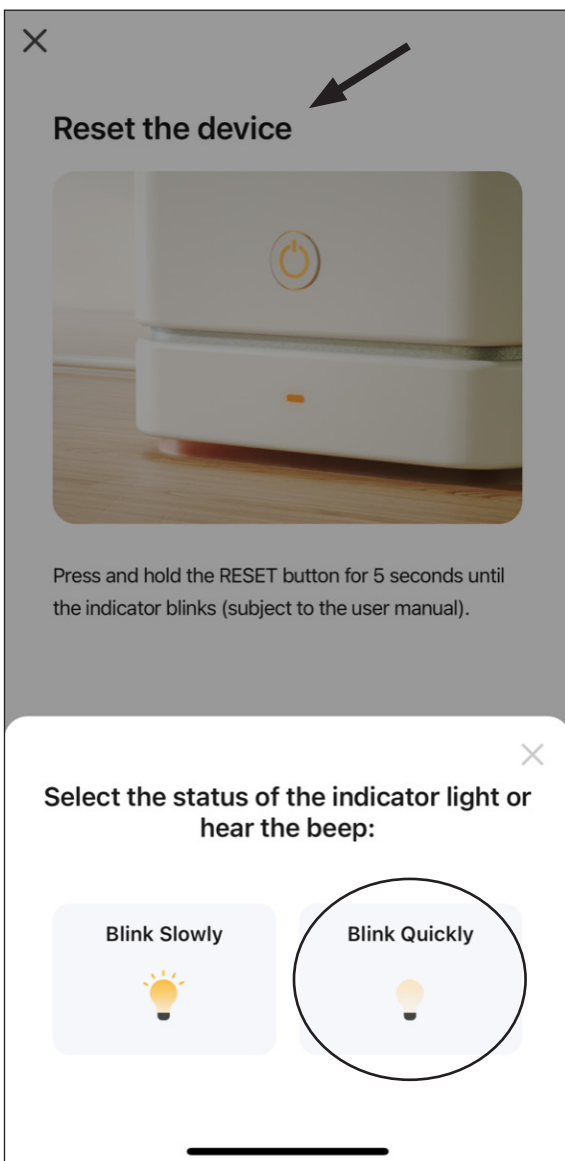


Figure 30: Fireplace Pairing

6. Once you are connected to your home network put the fireplace into pairing mode. Press and hold the **COLOUR** button on the control panel (see page 13) of the fireplace until the back flame and ember bed begin flashing at the same time.

7. With the fireplace now in pairing mode select the **Blink Quickly** option on the **Reset the Device** screen in the app (see figure 30). The app will begin pairing to the fireplace on a timing screen and automatically finish once pairing is successful (see figure 31).

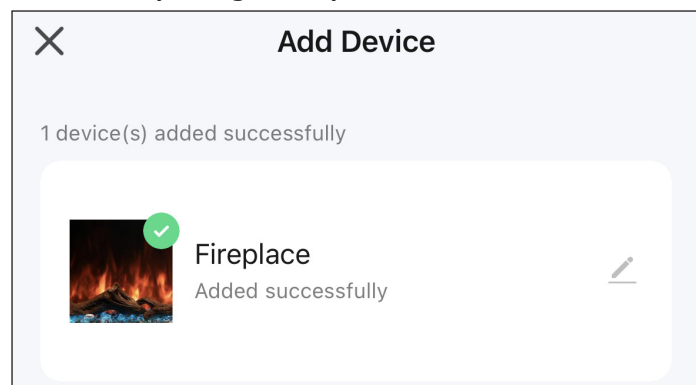


Figure 31: Fireplace Successfully Paired

Operation - Wi-Fi REMOTE



Sync

This is a synchronization selector, used to synchronize the current color on the color wheel to all of the zones (Flame/Ember Bed/Downlight). Grayed out SYNC is when synchronization is "OFF". Green SYNC is when synchronization is "ON".



Color Wheel

This is the color adjustment wheel for all zones. Keeping contact on the color circle, the color of the selected zone will change continuously based on where you have your finger.



Temperature Read Out

The number in the color circle is the built-in thermostat temperature reading of the fireplace.



Power

Powers unit On & Off.



Flame

This is the flame zone adjustment tab. After pressing this tab, the color ring and brightness bar can be adjusted.



Ember Bed

This is the ember bed zone adjustment tab. After pressing this tab, the color ring and brightness bar can be adjusted.



Downlight

This is the downlight zone adjustment tab. After pressing this tab, the color ring and brightness bar can be adjusted.



Brightness Control

Brightness adjustment, for all zones depending on tab selected or if sync is on. The brightness of the fireplace changes in real time as the slider is moved.



Heat Control

Heat controls open a drop-down menu. The menu displays off, low, and high. Can be used without thermostat.



Thermostat Slider

Normally inactive while heater is "ON." To use the thermostat while the heater is "ON," activate the thermostat by setting the slider to the desired temperature.

Note: Does not save when turned "OFF."

Operation - Wi-Fi REMOTE

Mode Sub Menu



Preset Menu



Mode

Mode Button

Opens a sub menu for selecting presets.

PRESET MENU

> Modern Flames Original

Modern Flames Orange (Static).

> Horizo

Same as remote control, 7 color gradient cycle

R->G->B->RG->RB->GB->RGB.

> Trifect

Same as remote control, R-G-B three color gradient cycle.

> Crimso

Same as remote control, 3 color gradient cycle R->G->B.

> Hillsid

Same as remote control, green monochrome fade cycle.

> Island Tim

Same as remote control blue monochrome fade cycle.

> Seven Color Dem

Same as remote control, 7 color jump cycles: R->G->B->RG->RB->GB->RGB.

> Three Color Dem

Same as remote control, 3 color jump cycles: R->G->B.

> Custom

Custom mode can be modified from "My Ambience" setting. The default color is Red.

> Custom

Custom mode can be modified from "My Ambience" setting. The default color is White.

> Custom

Custom mode can be modified from "My Ambience" setting. The default color is Blue.

Operation - Wi-Fi REMOTE



Timer

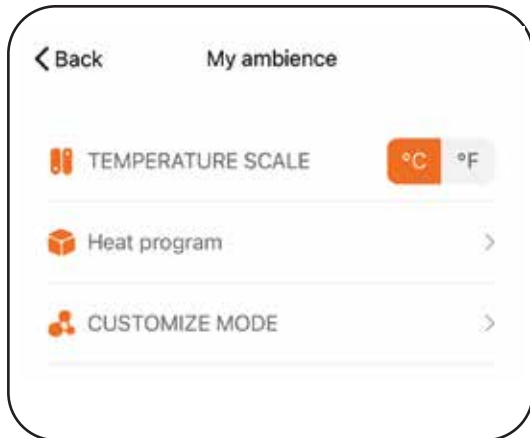
Pressing the timer button will pop up a sub-menu with 10 options to choose from: 1-2-3-4-5-6-7-8 -9 hours-cancel. Once the selected time has elapsed, the fireplace will turn off.



My ambience

Ambience Setting

The Ambience Setting button will open up a second window where customizations can be performed, including temperature scale setting (C/F), Weekly/Heat programming, Custom mode configuration, and changing speed of the flame and ember bed.



> Temperature Scale

Set the temperature unit according to needs. "°C" for Celsius and "°F" for Fahrenheit. The main temperature read out will change accordingly.



> Heat Program

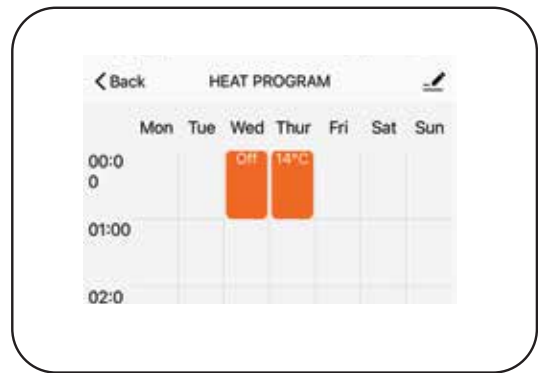
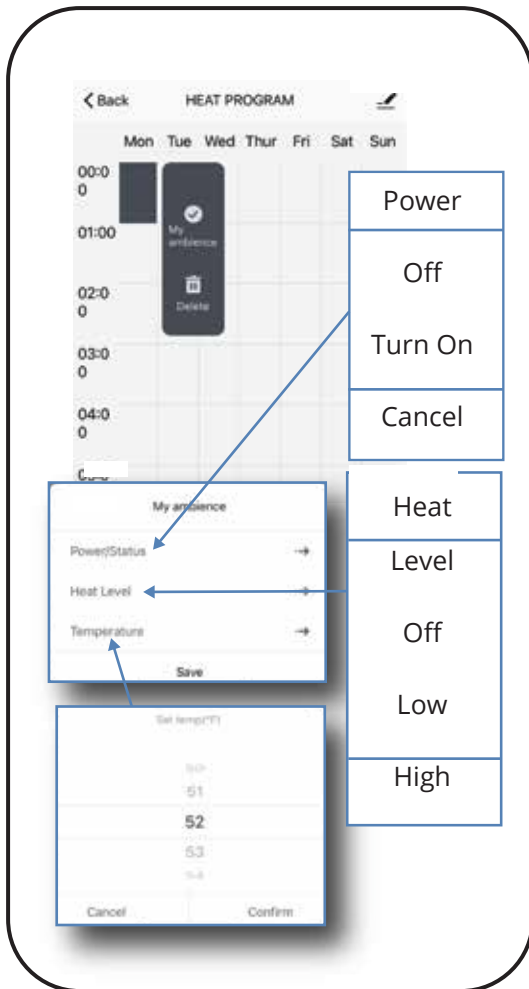
Setup a custom weekly schedule. This includes the state of the fireplace, the heater level and thermostat for the heat if desired. (See Heat Program Sub menu continued for more info.)



> Customize Mode

Configure the custom modes via 4 options: mode name, mode color, Color flash mode, Color flash speed. Includes a preview function. (See Customize Mode Sub menu continued for more info.)

Operation - Wi-Fi REMOTE



HEAT PROGRAM SUB MENU CONTINUED

> **Power**

Sets fireplace status (no heat) OFF/ON.

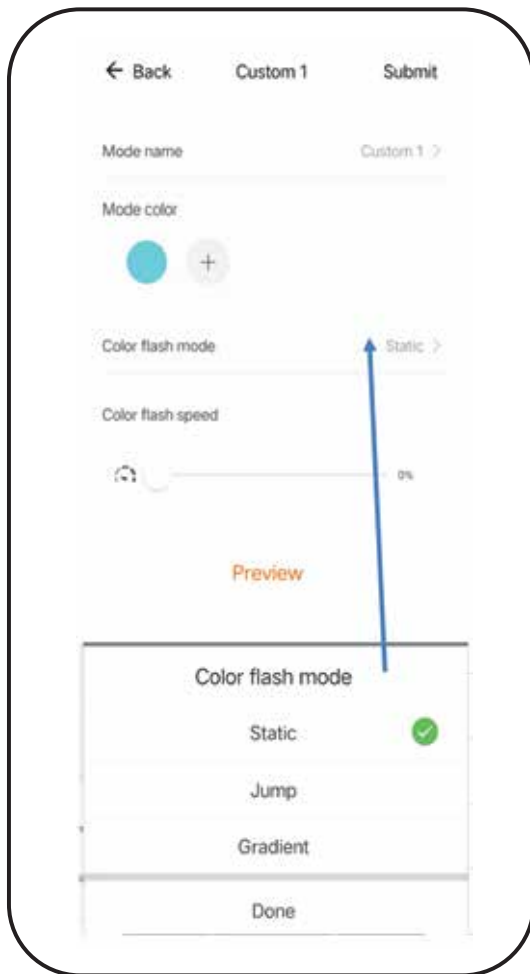
> **Heat Level**

Sets Heat Level: OFF/LOW/HIGH.

> **Temperature**

Temperature Level for the heater to turn on if the ambient temperature falls below the set temperature (High Heat.)

Operation - Wi-Fi REMOTE



CUSTOMIZE MODE SUB MENU

> Mode Nam

Custom name of selected mode (default will be present until changed).

> Mode Colo

Mode color: In the Static mode, only one color can be selected. After clicking the color symbol, you can change to additional colors. When using the Jump/Gradient feature, 8 colors can be programmed by clicking “+” color.



By adjusting the color sliders, select the corresponding RGB value to obtain the desired color combination..

> Color Flash Mod

Customizing how the color changes.

>Stati

No change in brightness and flash and only one color can be selected.

> Jum

Cycles between selected colors, up to 8. Jump speed is selected using the speed slider.

> Gradien

Color progression between chosen colors, up to 8. Gradient speed is selected using the speed slider.

> Previe

Will Preview any customization being made.

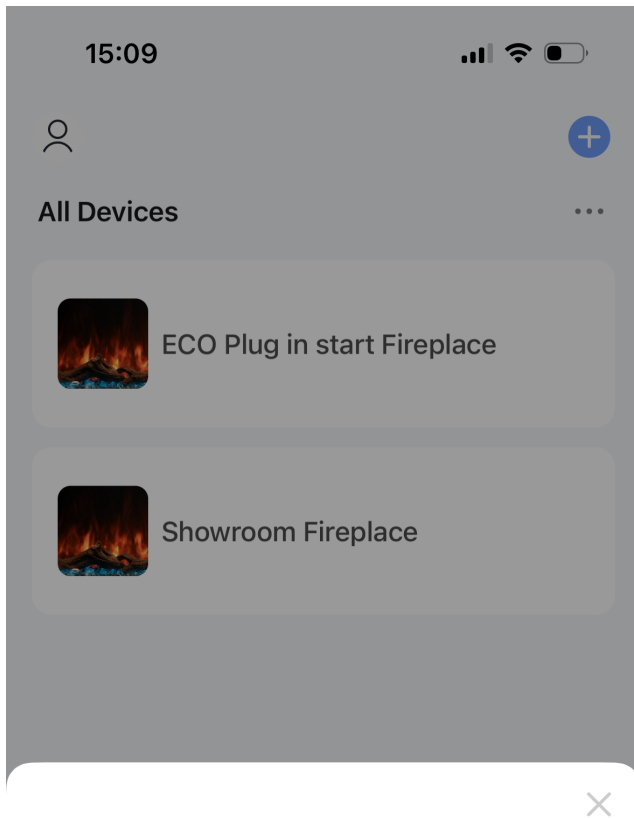
Bluetooth Controls

Also you could add fireplace into Smartlife APP by Bluetooth.

Firstly , power on fireplace, enable Bluetooth on your mobile phone;

Secondly, enter into Smartlife APP, the device will show up automatically , click "Add"

Finally, it will jump to WiFi information page, then click "Next" to finish adding device.

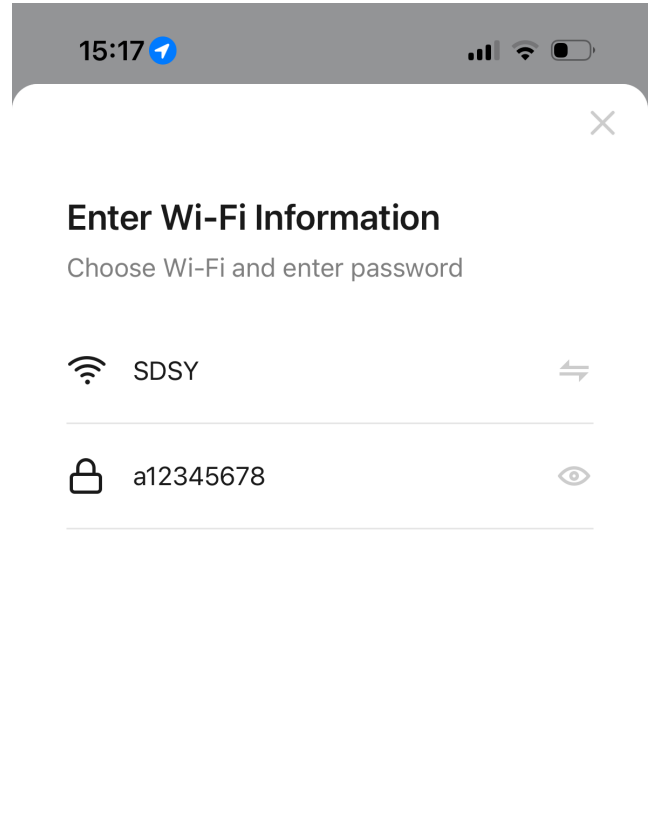


Devices to be added: 1



SD-Fireplace

Add



Next

Troubleshooting

Problem	Possible Cause	Solution
Fireplace will not turn on	Tripped circuit breaker, circuit has no power	· Reset breaker. Test circuit for incoming power
	Fireplace needs to be reset	· Turn off main power breaker to fireplace for 60 seconds, then turn back on
	Loose connection	· Disconnect fireplace from power and inspect for any loose or damaged wire connections
	Defective component	· Contact your Uptown Fireplace dealer
Fireplace turns off and will not turn back on	Fireplace has overheated and tripped the safety circuit	· Turn off main power breaker to fireplace for 60 seconds, then turn back on
Can operate fireplace with manual controls but not remote	Low battery	· Replace the battery in the remote using a small pin or paperclip. Required battery is a CR2450
	Remote not paired correctly to fireplace	· Follow remote pairing procedure on page 15. Remote must be paired to the fireplace within 5 seconds
	Defective Remote Control	· Replace the remote control. Contact your Uptown Fireplace dealer
No heat from heater when turned on	Loose connection	· Disconnect fireplace from power and inspect heater for any loose connections
	Safety circuit tripped	· Turn off the heater for 5 minutes to reset
	Defective heater	· Replace the heater. Contact your Uptown Fireplace dealer
Fireplace turns on with no flame	Loose connection	· Disconnect fireplace from power and inspect for any loose or damaged wire connections
	Defective component	· Contact your Uptown Fireplace dealer
Fireplace turns on with frozen/still flame	Loose connection	· Disconnect fireplace from power and inspect spindle motor for any loose connections
	Spindle rod is jammed or has come loose	· Inspect the spindle rod to confirm it is still attached to the spindle motor. · Inspect the spindle rod for any interferences that may be jamming the spindle rod.
	Defective spindle motor	· Replace the spindle motor. Contact your Uptown Fireplace dealer
Fireplace is making a squeaking sound	Spindle rod interference	· Inspect the spindle rod for any interferences that may be causing the sound · Apply a small of grease to the spindle rod connection points
	Defective spindle motor	· Replace the spindle motor. Contact your Uptown Fireplace dealer