

Dining chair

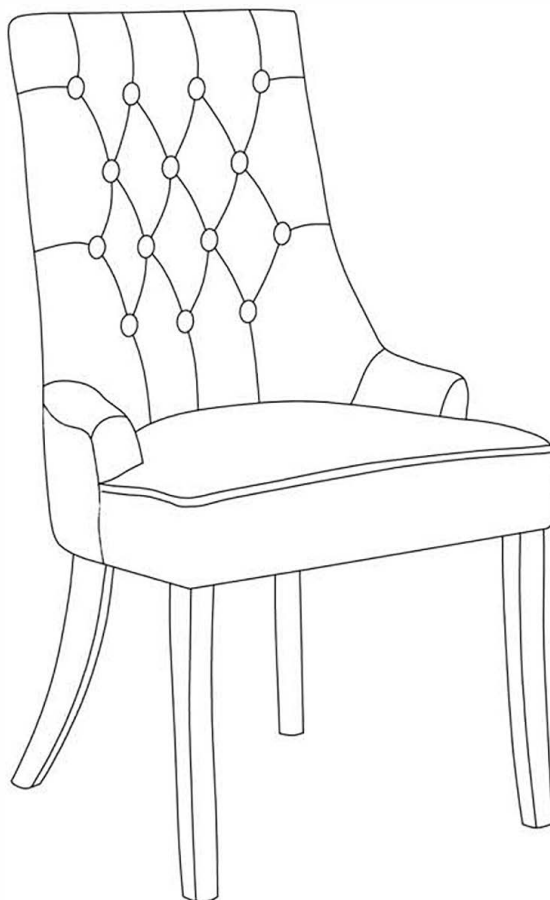
ASSEMBLY INSTRUCTION

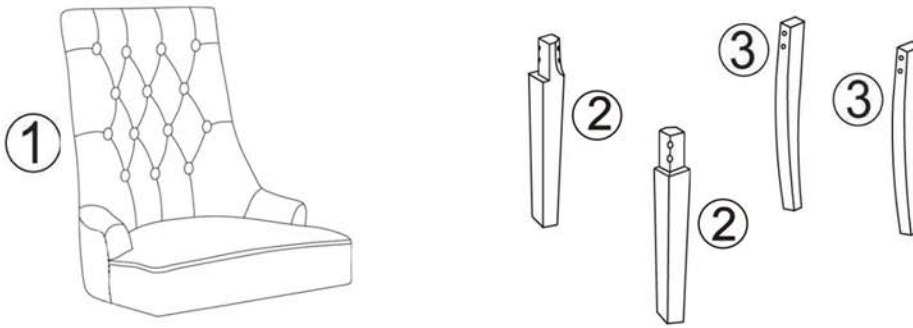
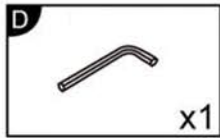
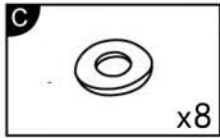
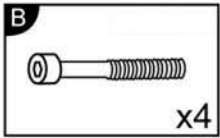
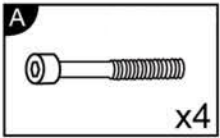


ADULT ASSEMBLY REQUIRED

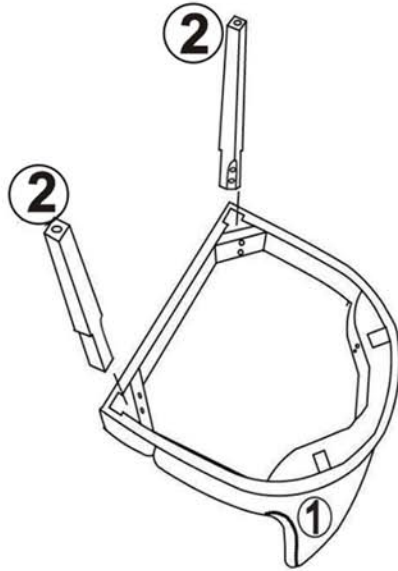
Read all instructions before assembly and use.

Due to the presence of small parts during assembly, keep out of reach of children until assembly is complete.

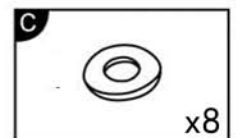
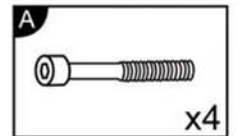
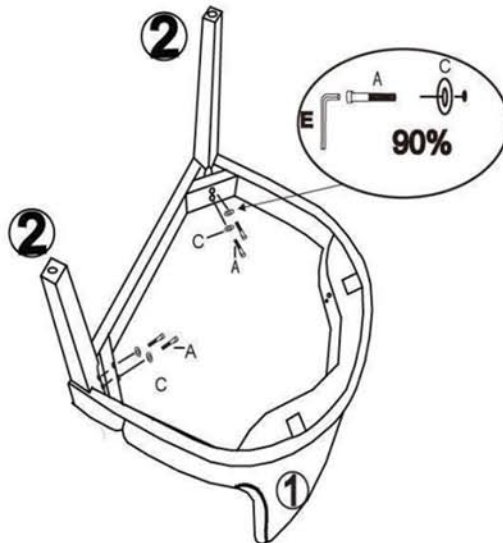


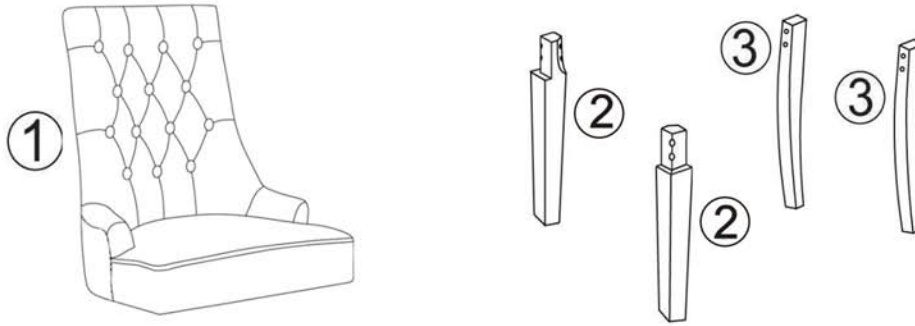
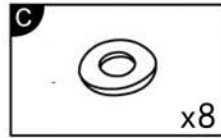
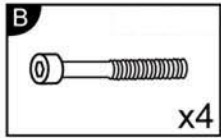
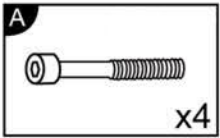


Step 1 Connect 1 and 2.

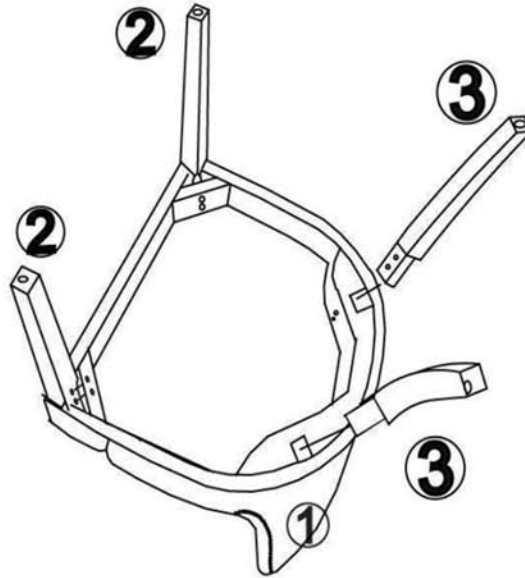


Step 2 Partly screw in bolts, but do not fully tighten.

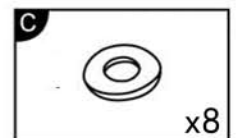
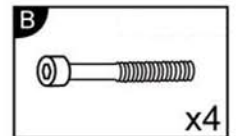
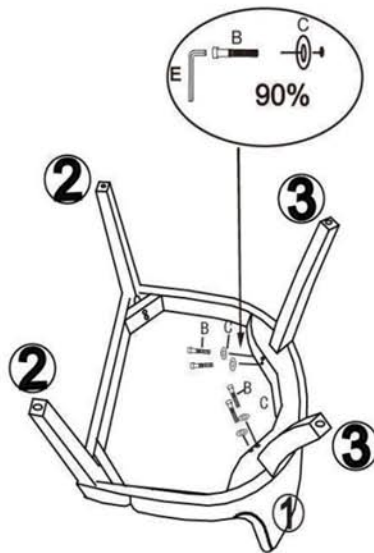




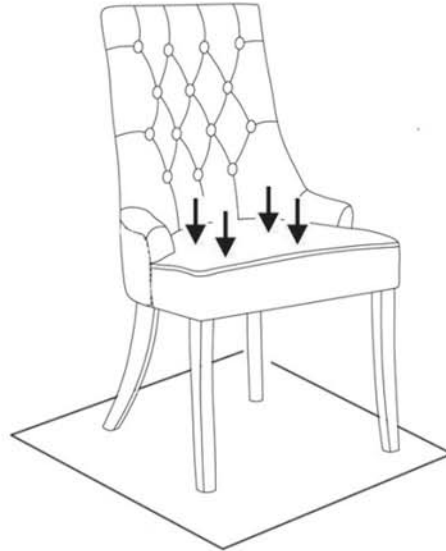
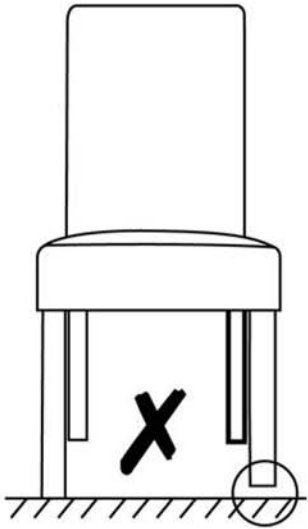
Step 3 Connect 1 and 3.



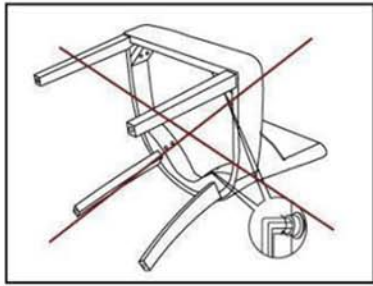
Step 4 Partly screw in bolts, but do not fully tighten.



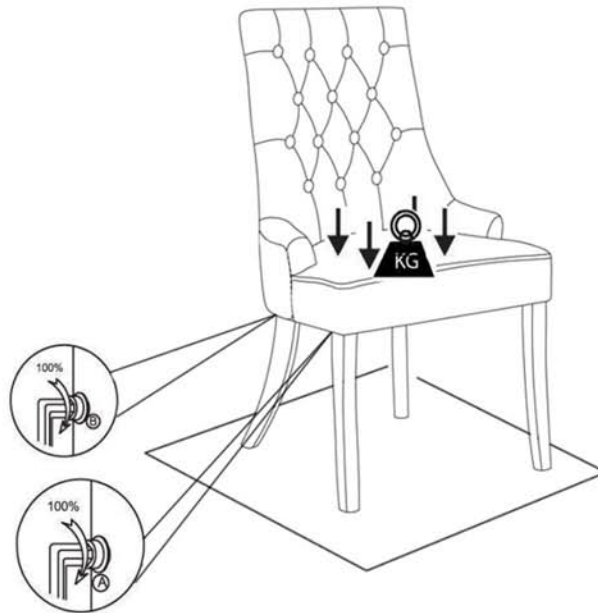
Step 5 Stand the chair upright and make sure all 4 legs in level way.



Step 6 Tighting all the bolts.



TIGHT UP ALL
SCREWS FOR LEGS



Step 7 Cover the fabric.

