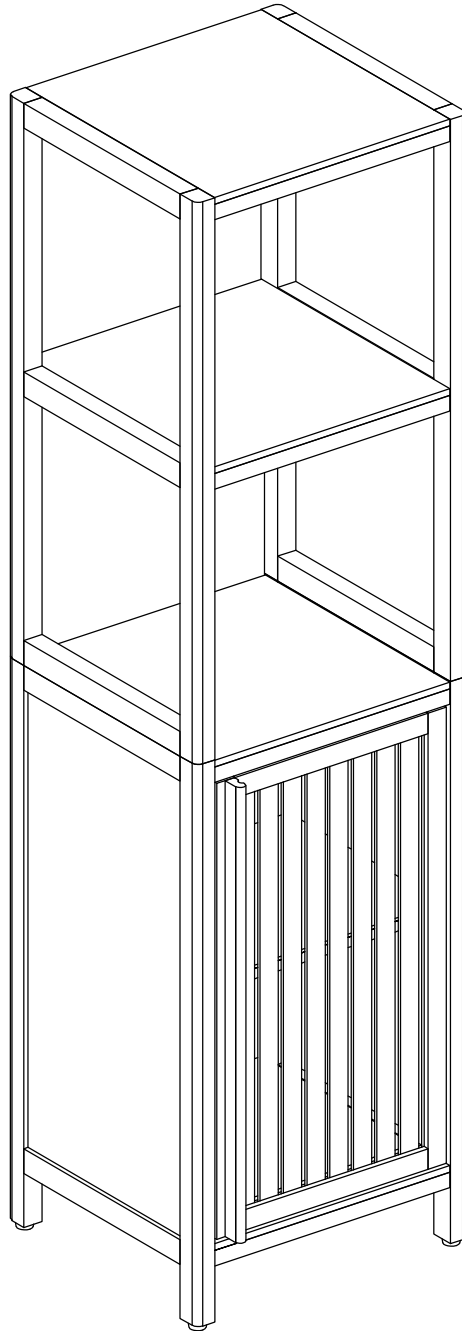


# BAMBOO TOWER CABINET



W2207P147165  
W2207P242507  
W2207P327623

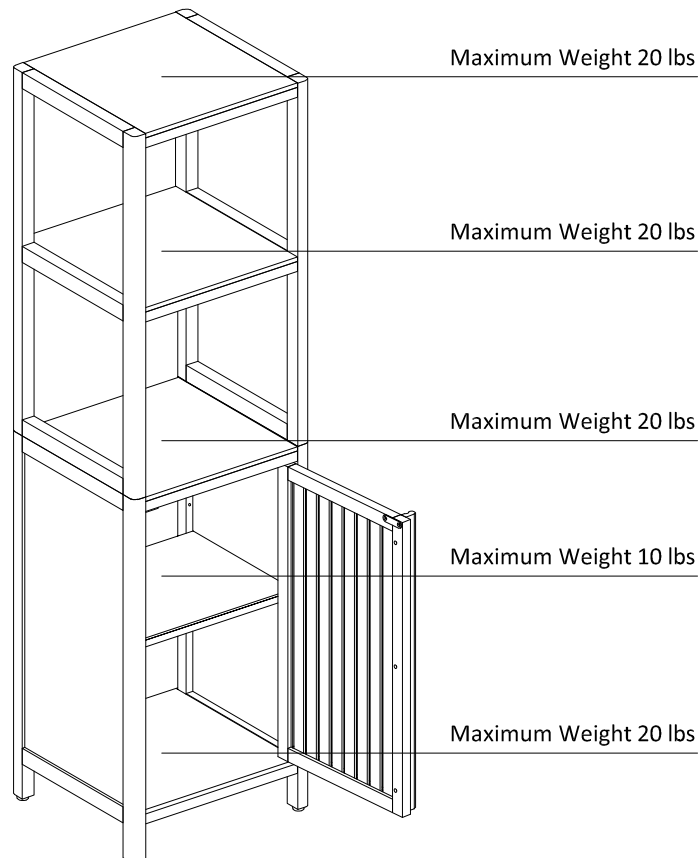
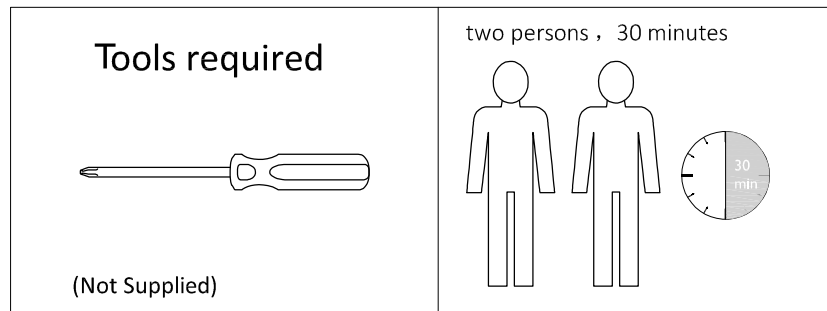
## Getting started

Thank you for purchasing this product. Read the instructions and warnings carefully before use, to ensure safe and satisfactory operation of this product.

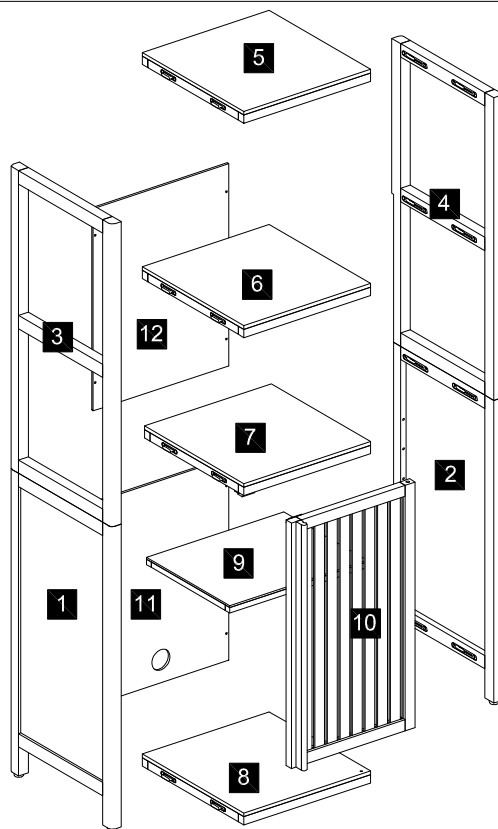


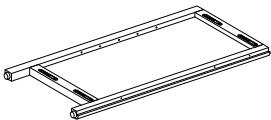
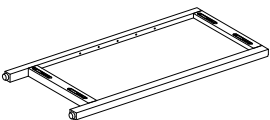
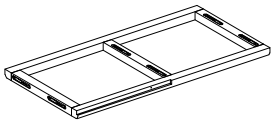
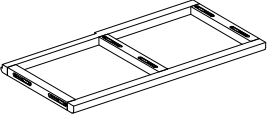
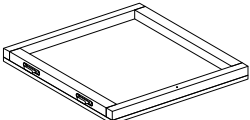
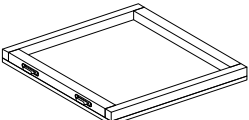
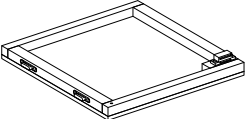
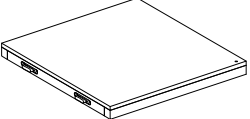
## WARNING

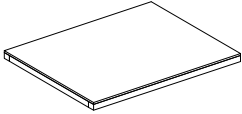
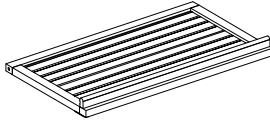
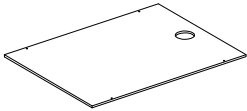
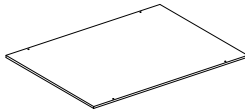
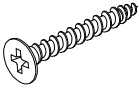
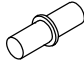

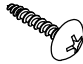
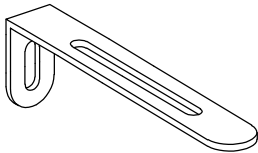
- Do not let any sharp objects touch or rub the surface of the product.
- When assembling, do not let children play around the working area.
- Please confirm all parts are correct before starting the assembly process.
- Do not tighten all bolts and screws completely until the entire unit has been assembled and set up.
- **DO NOT USE POWER TOOLS.**
- Power tools can over tighten screws and strip threads.
- For each screw:
  1. Tighten each screw until you meet resistance.
  2. Tighten one additional full rotation. **DO NOT OVER TIGHTEN.**



## Fittings and parts checklist



No.	Picture	Name	Qty	No.	Picture	Name	Qty
1		Under left side frame	1	2		Under right side frame	1
3		Upper left side frame	1	4		Upper right side frame	1
5		Top panel	1	6		Upper fixed shelf	1
7		Under fixed shelf	1	8		Bottom panel	1

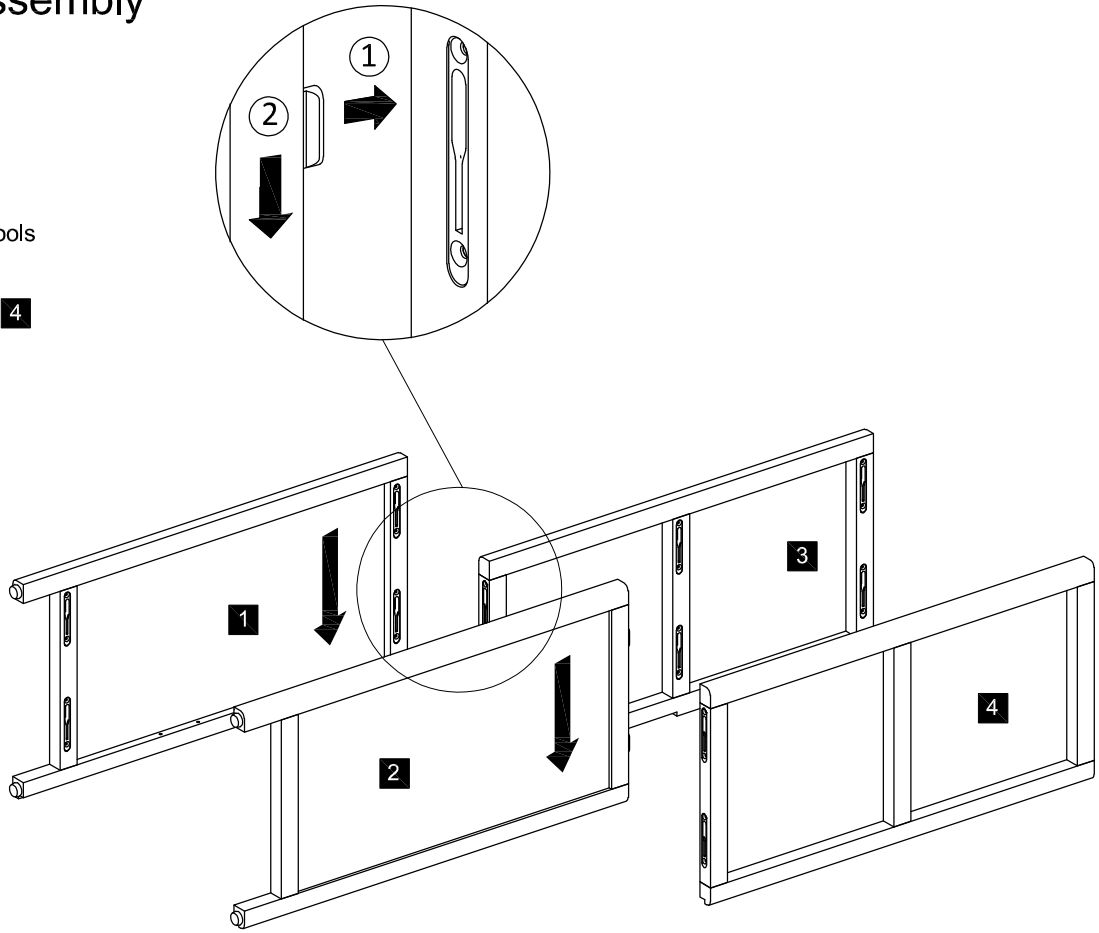
No.	Picture	Name	Qty	No.	Picture	Name	Qty
9		Adjustable shelf	1	10		Door	1
11		Under back panel	1	12		Upper back panel	1
A		Screw	8	B		Shelf Support	4
C		Pin	3 (One spare)	D		Screw	1
E		Metal 'L' Bracket	1				

# Product assembly

## Step 1

Parts, fittings and tools

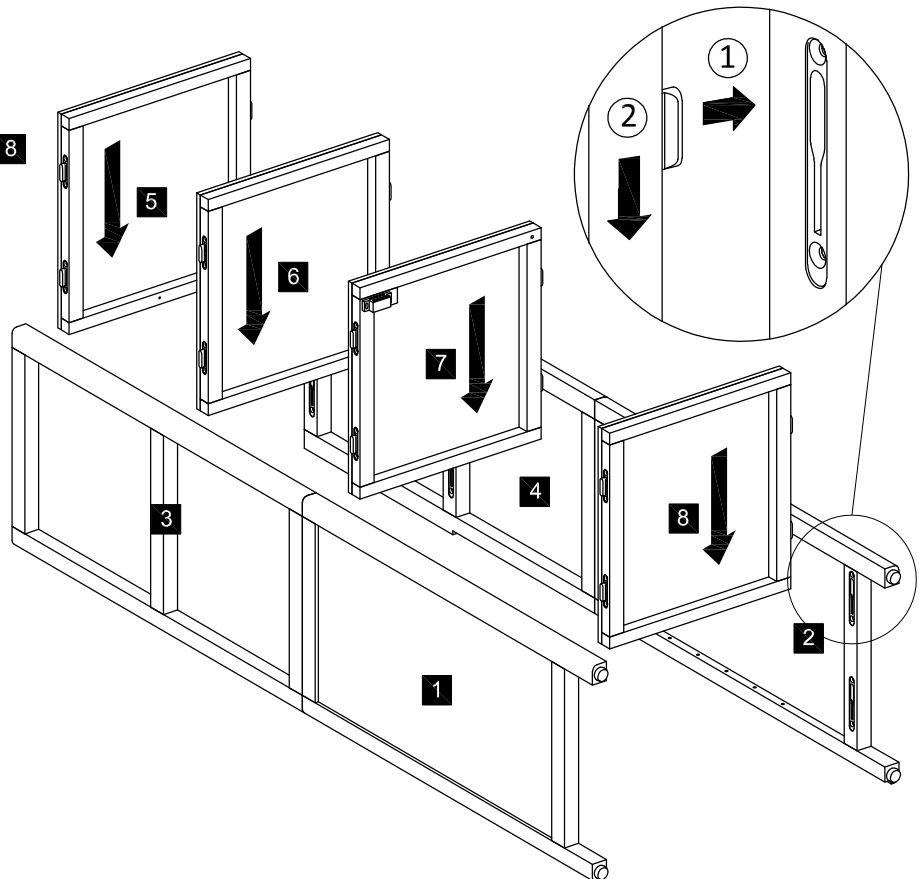
- 1
- 2
- 3
- 4



## Step 2

Parts, fittings and tools

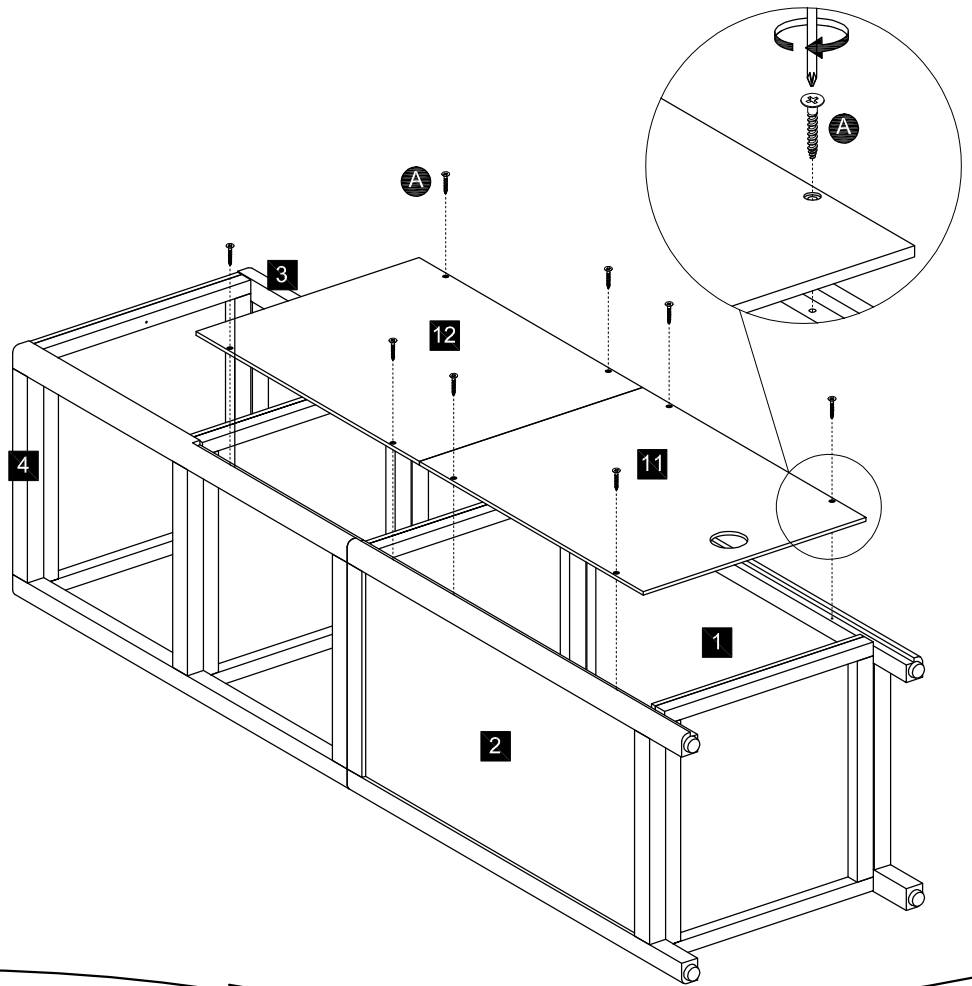
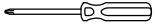
- 1
- 2
- 3
- 4
- 5
- 6
- 7
- 8



## Step 3

Parts, fittings and tools

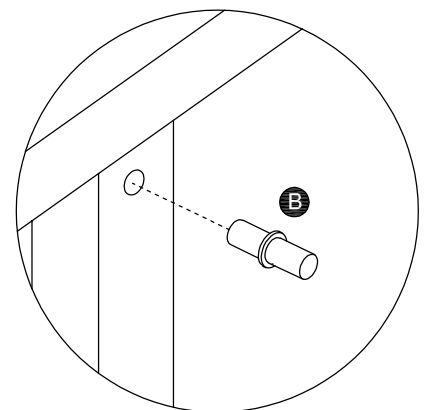
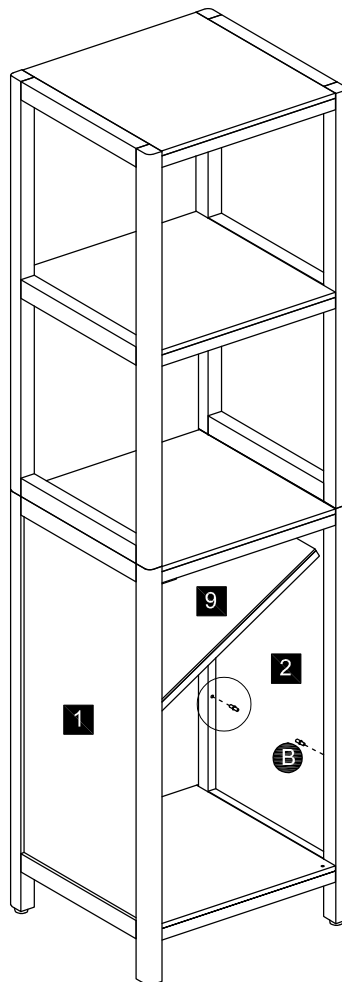
1 2 3 4 11 12 A



## Step 4

Parts, fittings and tools

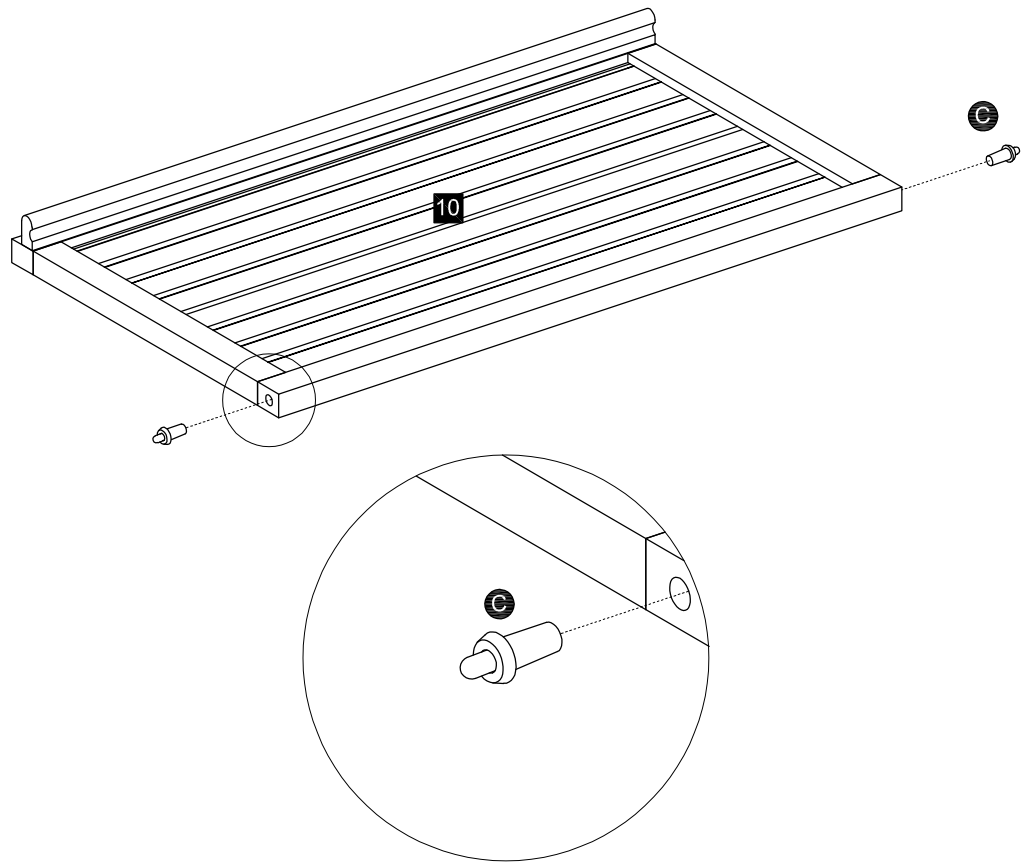
1 2 9 B



## Step 5

Parts, fittings and tools

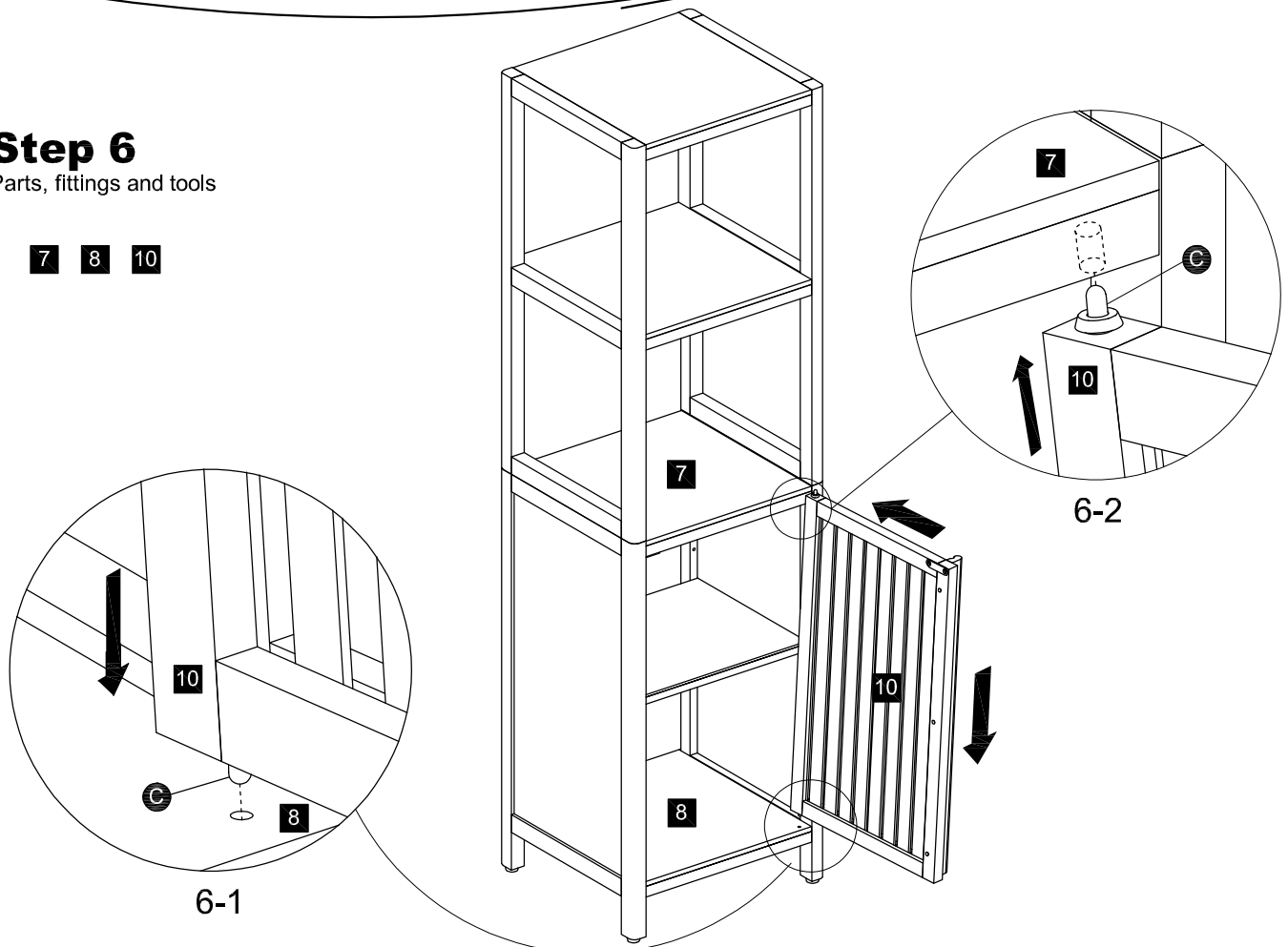
10 



## Step 6

Parts, fittings and tools

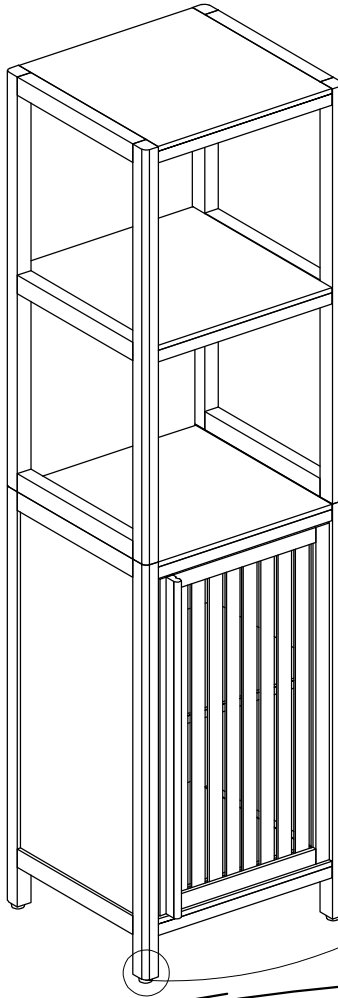
7 8 10



## Step 7

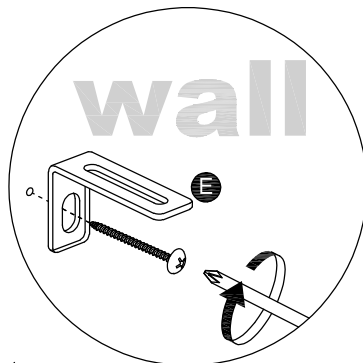
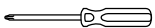
Parts, fittings and tools

Use adjustable leveler if necessary.

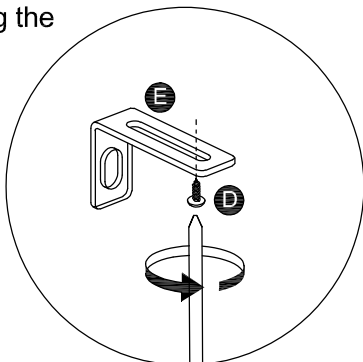


## Step 8

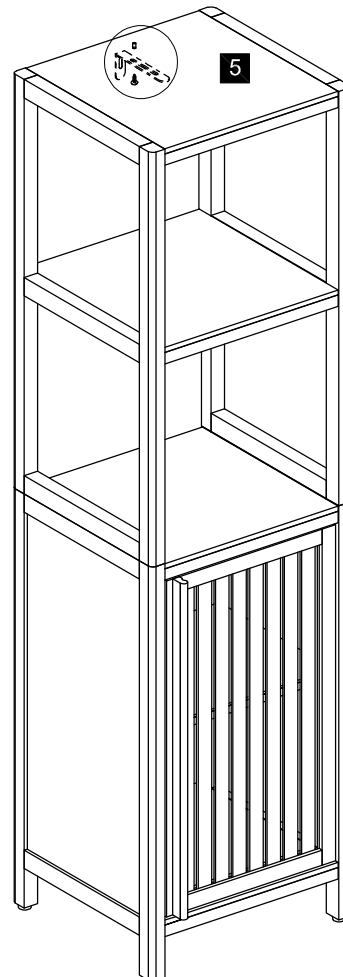
Parts, fittings and tools



8-1



8-2



PLEASE NOTE: For your safety, to prevent the danger of this unit tipping over, it is important to attach the "L" shaped bracket to the wall using the correct wall fixing.