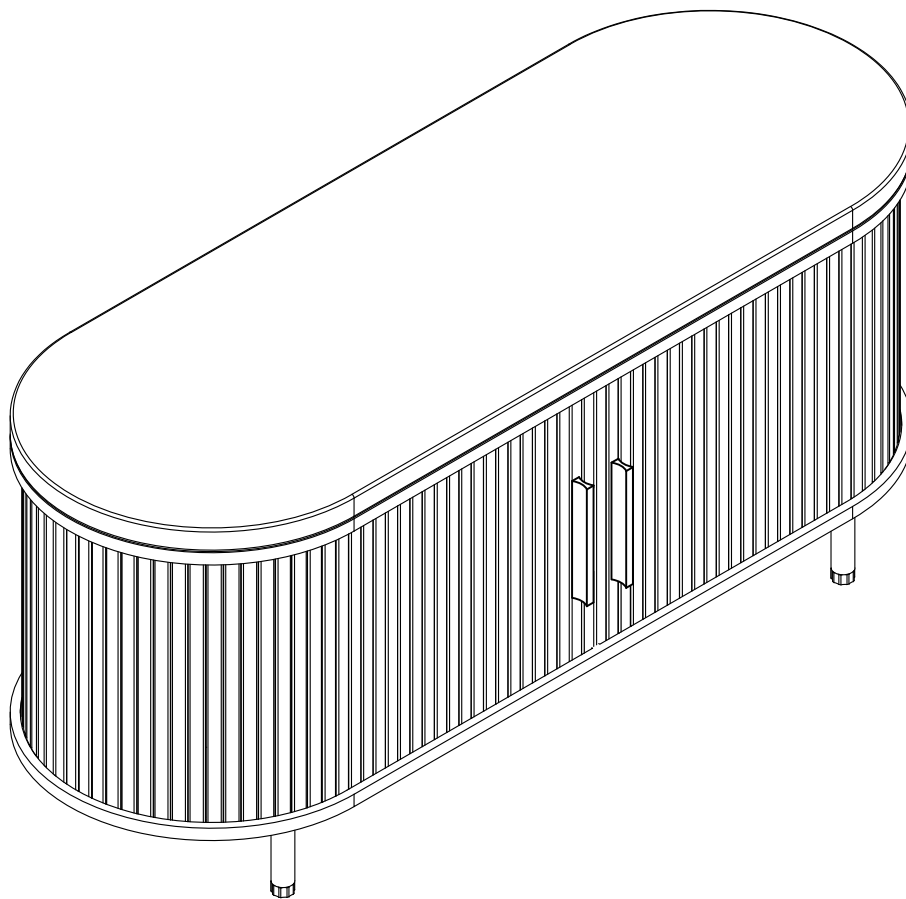


Storage Benches

Assembly Instruction



INTRODUCTION

Thank you for purchasing our products. Please read the instructions carefully before installation and keep it in a safe place for future reference. If you need any assistance or support, please feel free to contact our customer support team.

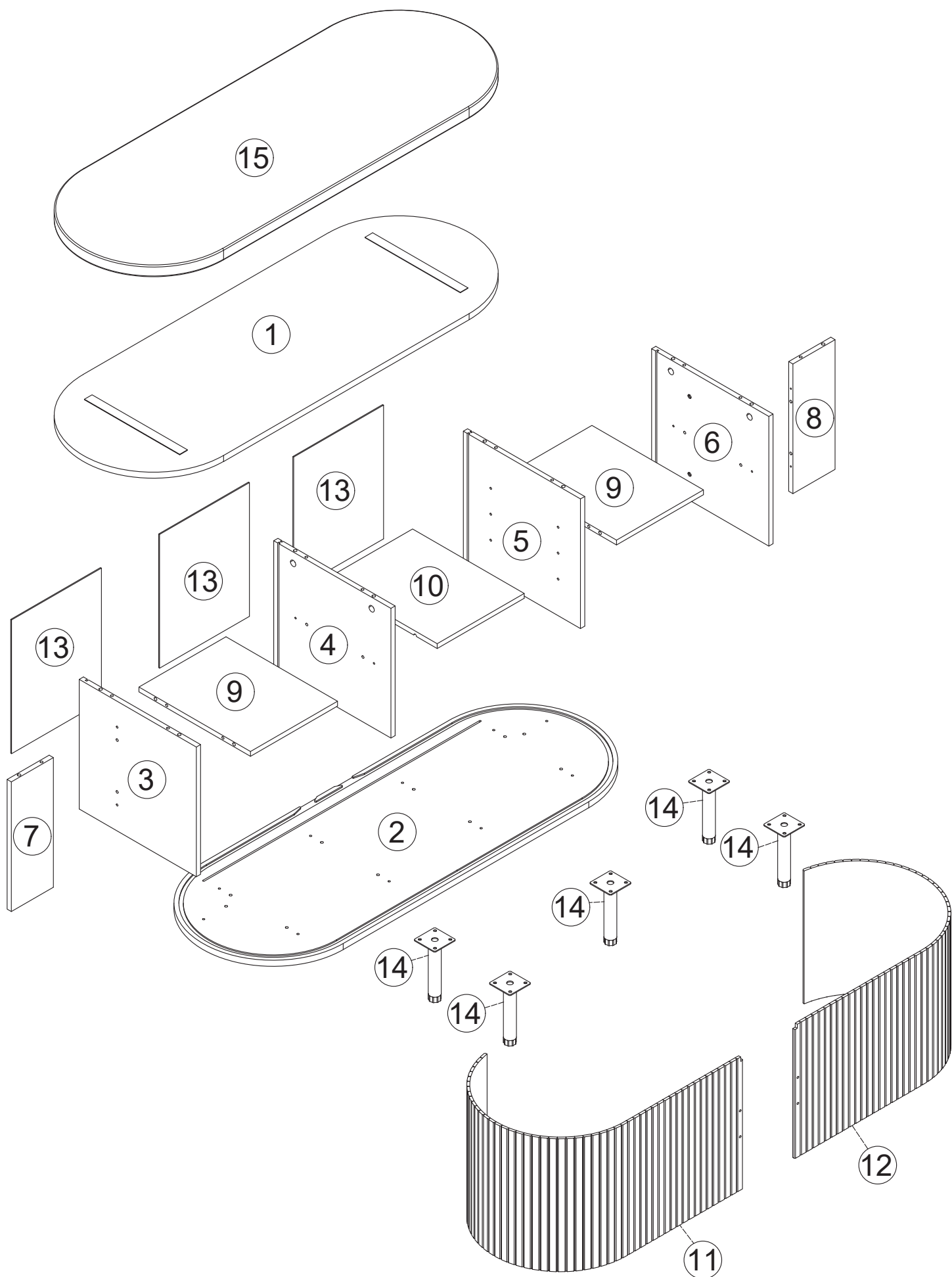
PRECAUTIONS

1. There are many components and accessories in the package. Each component and accessory is labeled with a letter or a number, check carefully before using any of them. Keep them away from children to prevent accidents.
2. Please install the product on a clean and soft underlay (such as carpet or cardboard) to avoid scratching or damaging the surface of the product.
3. The main components of the product is relatively heavy. Please pay attention to safety during installation.
4. The product is not stable during installation. Please do not move it randomly before it is completely installed.
5. This product requires two people to install.
6. If you have any questions during installation, please contact the customer service in time.

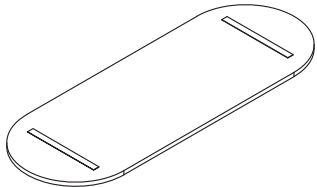
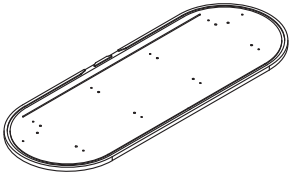
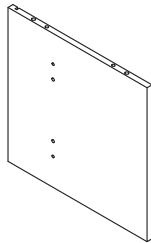
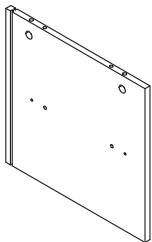
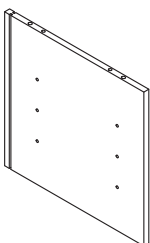
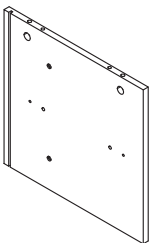


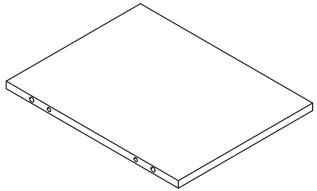
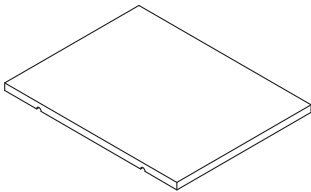
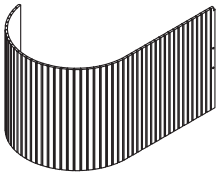
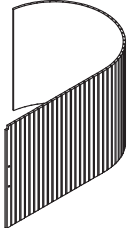
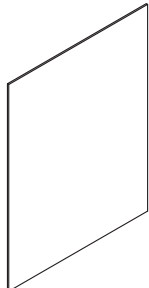
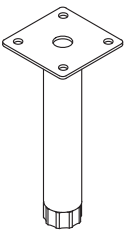
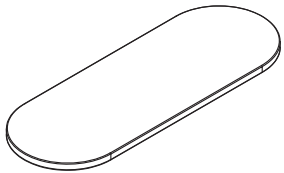
***PLEASE BE SURE TO FOLLOW THE INSTALLATION STEPS IN THE MANUAL TO AVOID UNNECESSARY LOSSES CAUSED BY IMPROPER INSTALLATION.**

***IF YOU NEED FURTHER ASSISTANCE, PLEASE CONTACT THE CUSTOMER SERVICE ONLINE.**

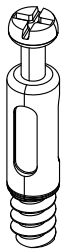
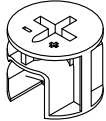

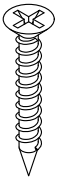
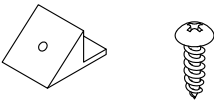
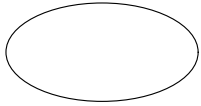
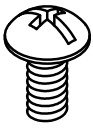
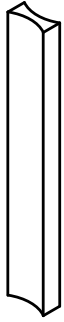
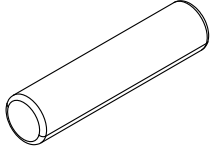

Parts List



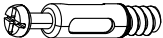
Parts List

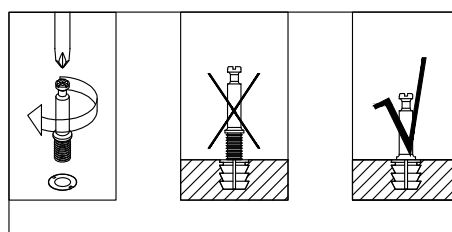
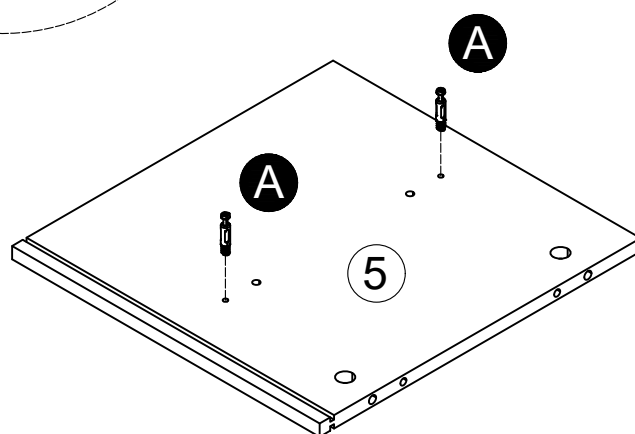
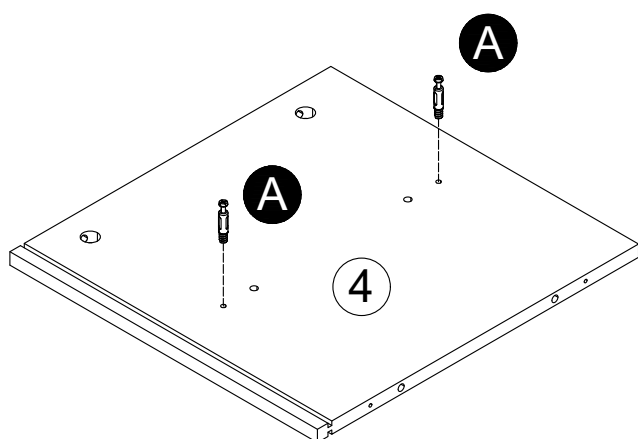
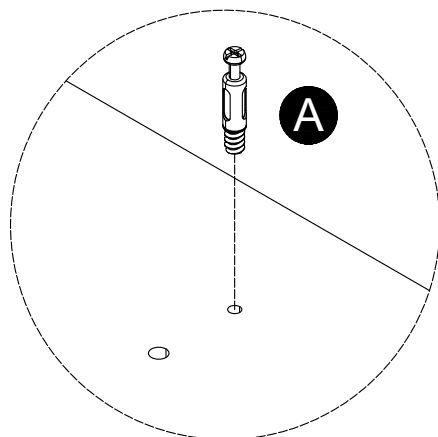
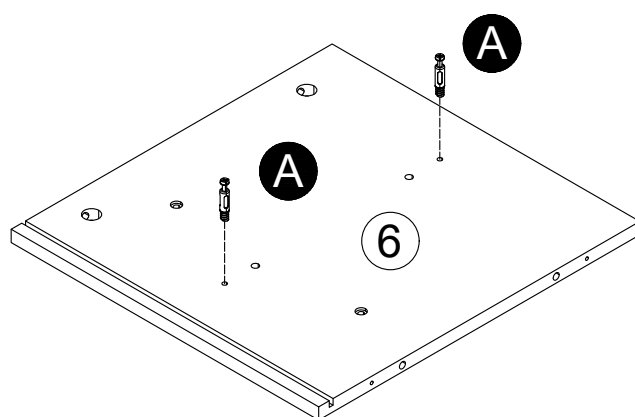
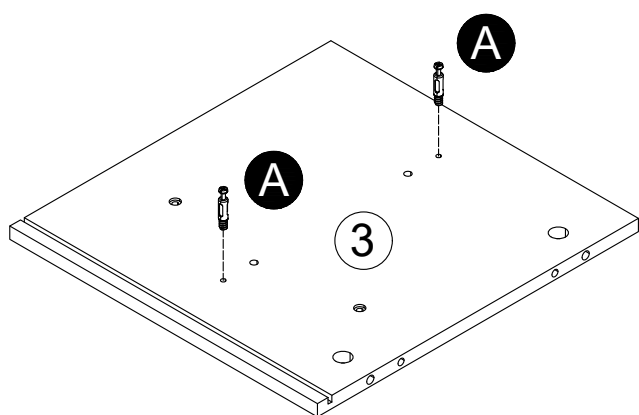
| | | |
|--|--|--|
| <p>①</p>  <p>x1</p> | <p>②</p>  <p>x1</p> | <p>③</p>  <p>x1</p> |
| <p>④</p>  <p>x1</p> | <p>⑤</p>  <p>x1</p> | <p>⑥</p>  <p>x1</p> |
| <p>⑦</p>  <p>x1</p> | <p>⑧</p>  <p>x1</p> | <p>⑨</p>  <p>x2</p> |
| <p>⑩</p>  <p>x1</p> | <p>⑪</p>  <p>x1</p> | <p>⑫</p>  <p>x1</p> |
| <p>⑬</p>  <p>x3</p> | <p>⑭</p>  <p>x5</p> | <p>⑮</p>  <p>x1</p> |

Parts List

| | | |
|---|---|---|
| A  6.5×35 ×18 | B  ×18 | C  6×30 ×32 |
| D  4×35 ×14 | E  3×14 ×12 | F  ×18 |
| G  4×9 ×4 | H  ×2 | I  ×4 |
| J  4×14 ×20 | | |

STEP 1

 **A** x8



STEP 2

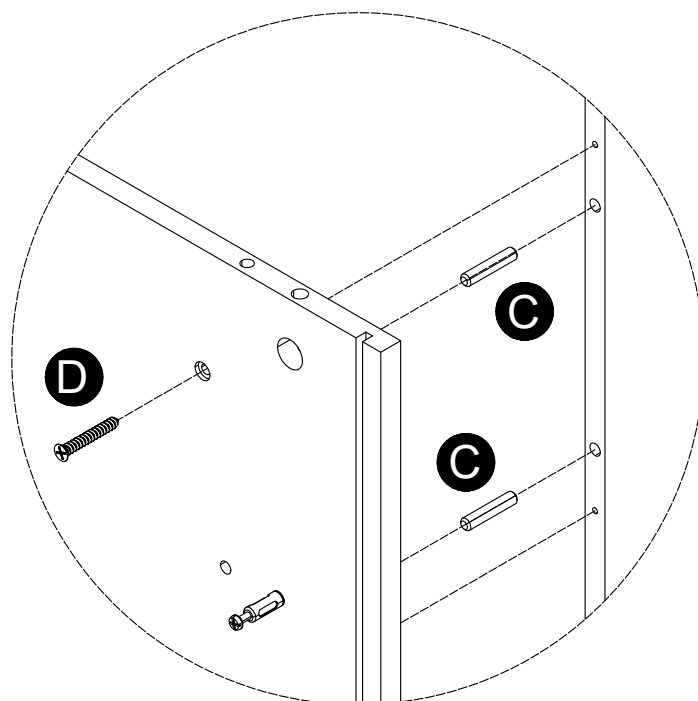
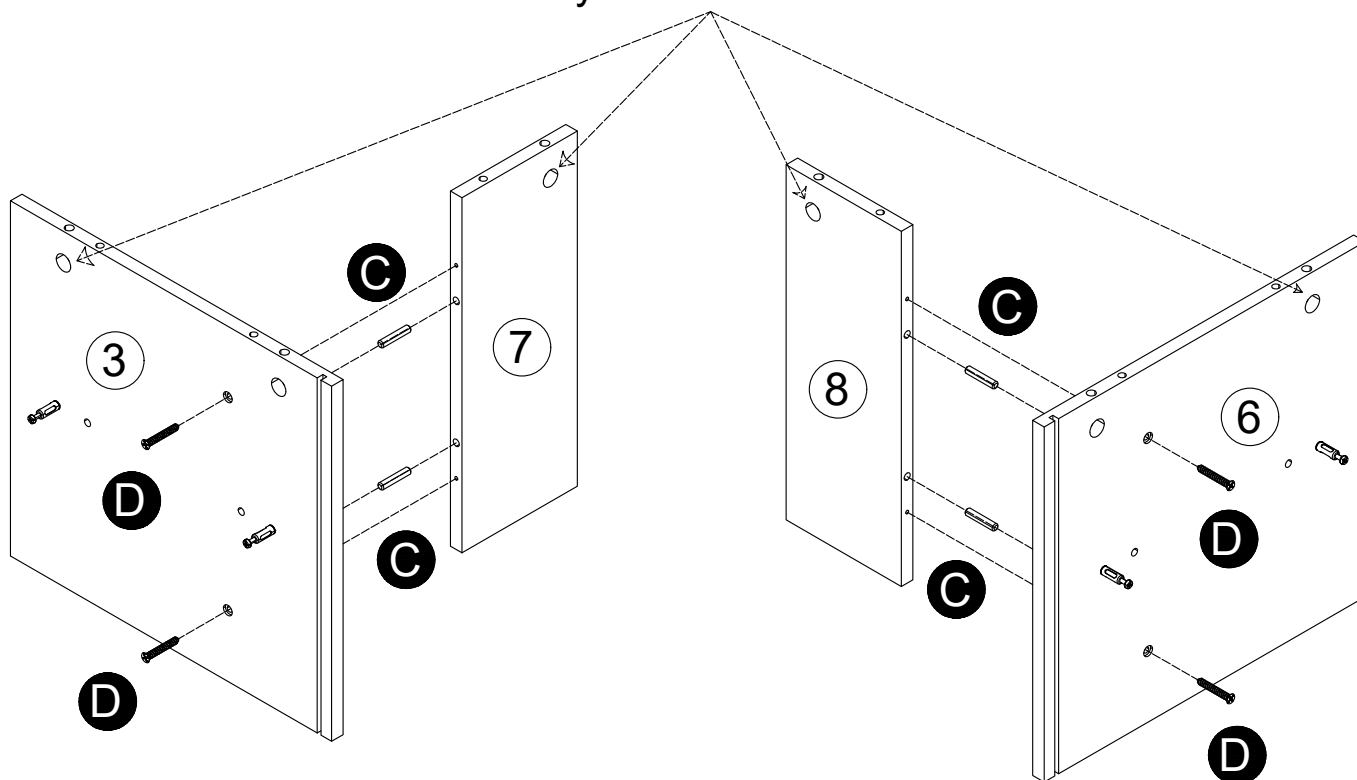


C x4

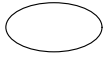
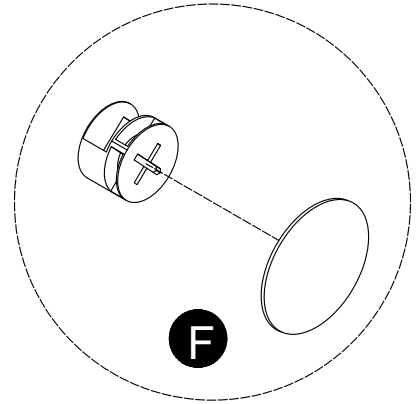


D x4

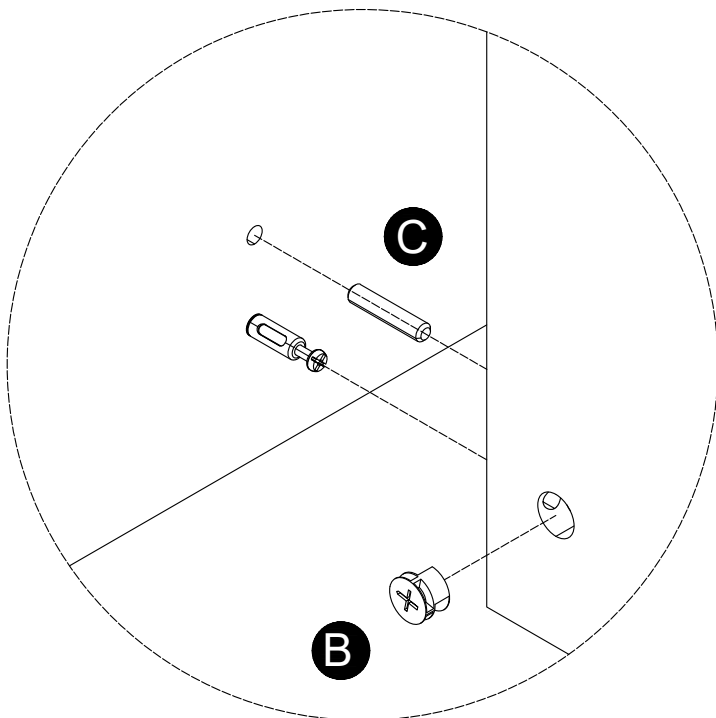
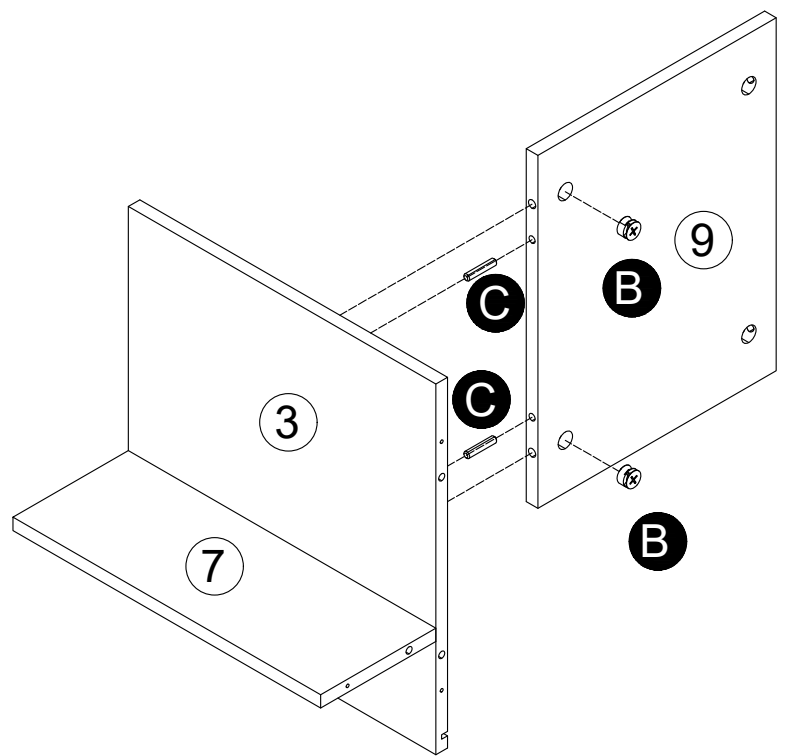
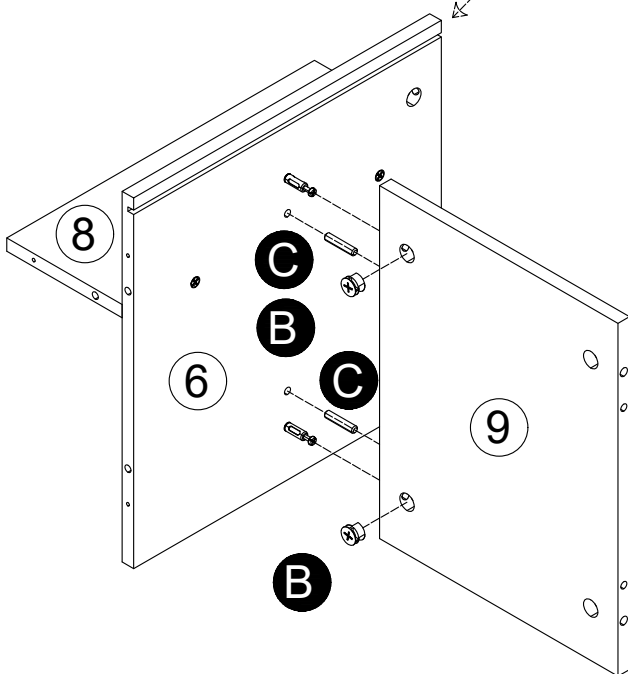
Pay attention to the orientation of the holes



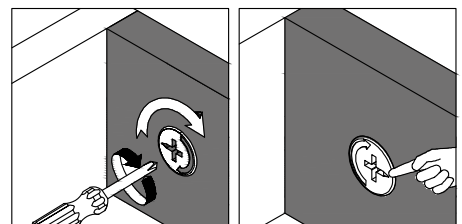
STEP 3

**B** ×4**C** ×4**F** ×4

Pay attention to the orientation of the holes



Pay attention to the orientation of the holes



STEP 4



B x4

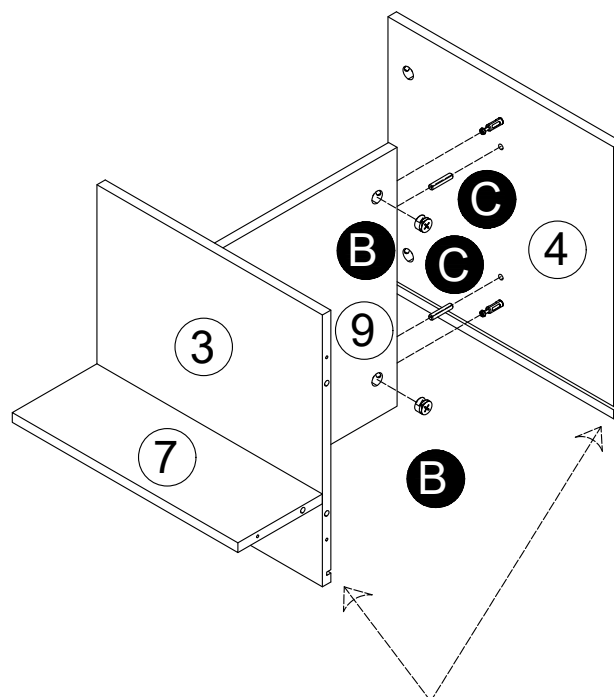
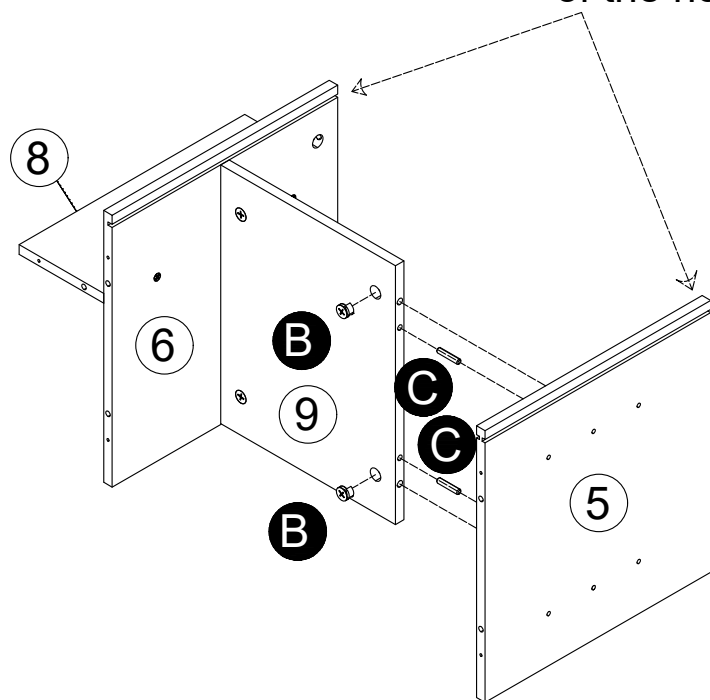


C x4

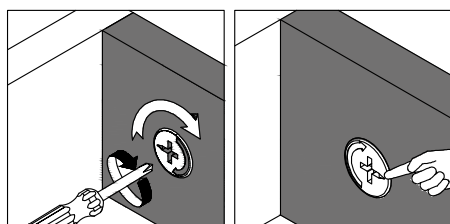
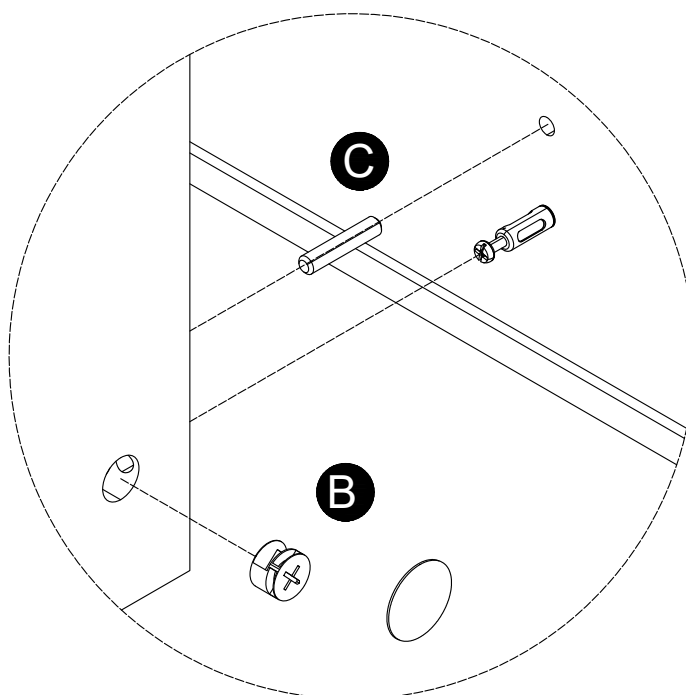
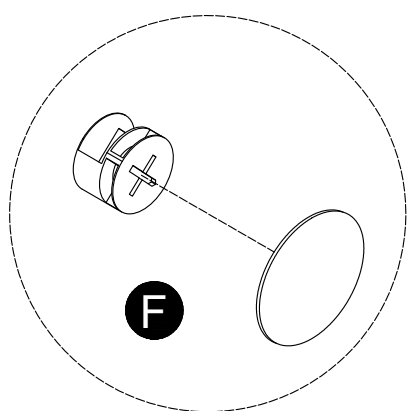


F x4

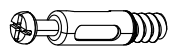
Pay attention to the orientation of the holes



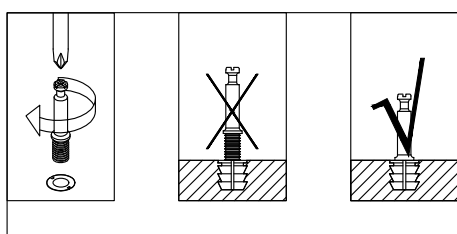
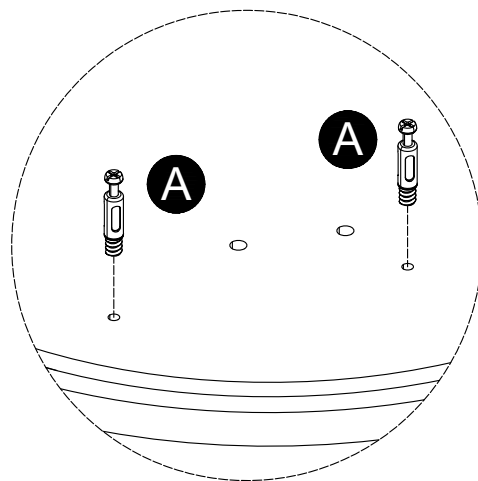
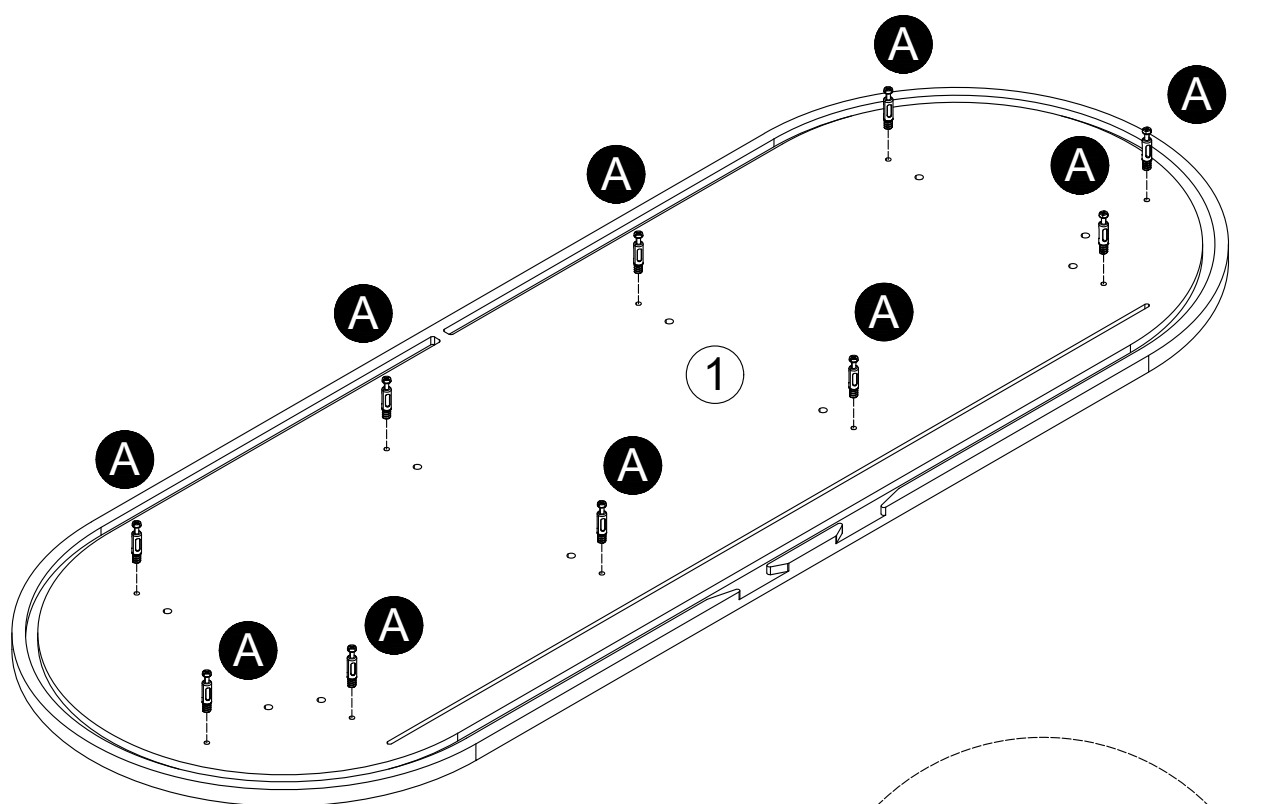
Pay attention to the orientation of the holes



STEP 5



A ×10



STEP 6



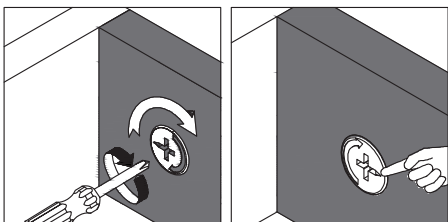
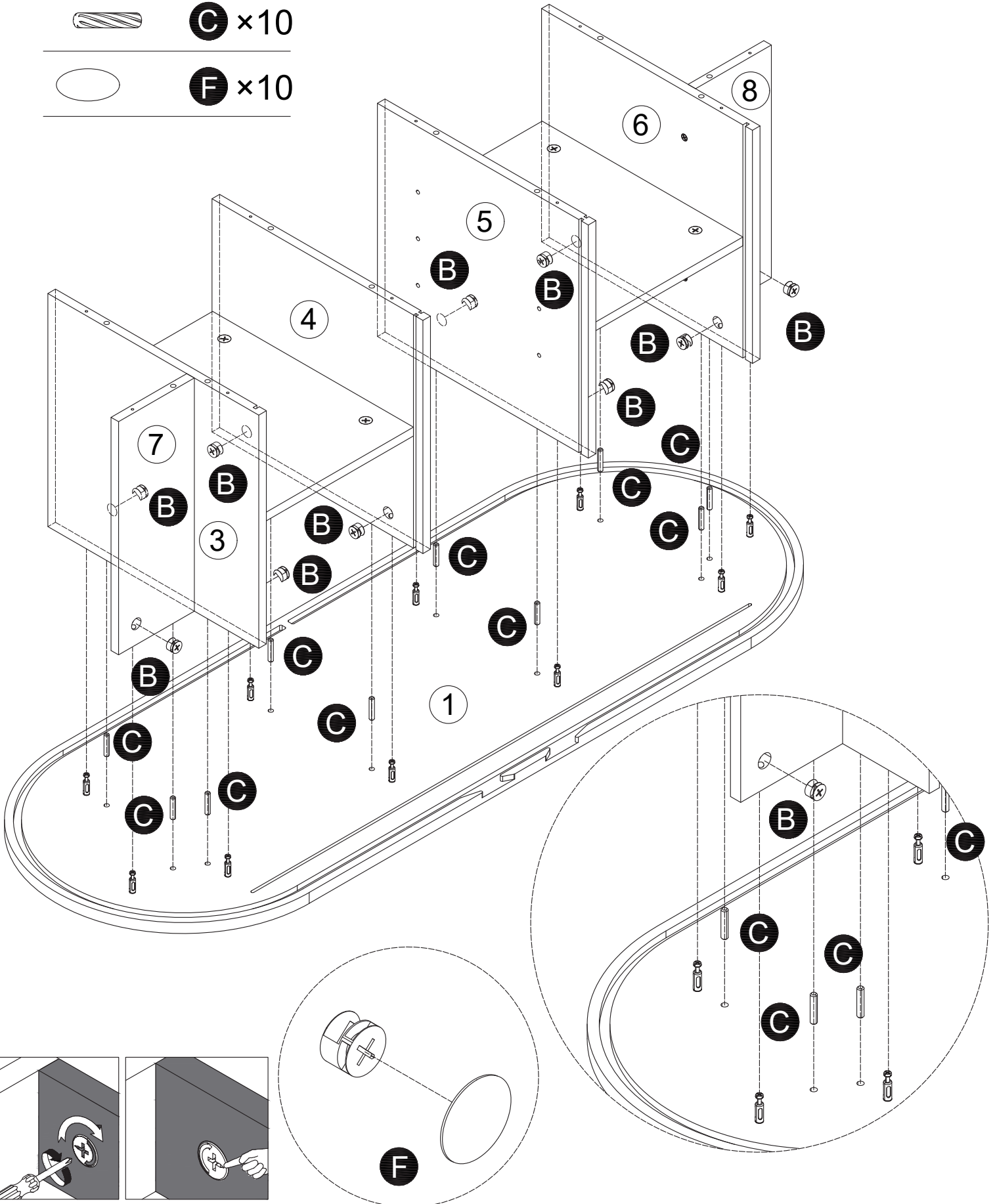
B × 10



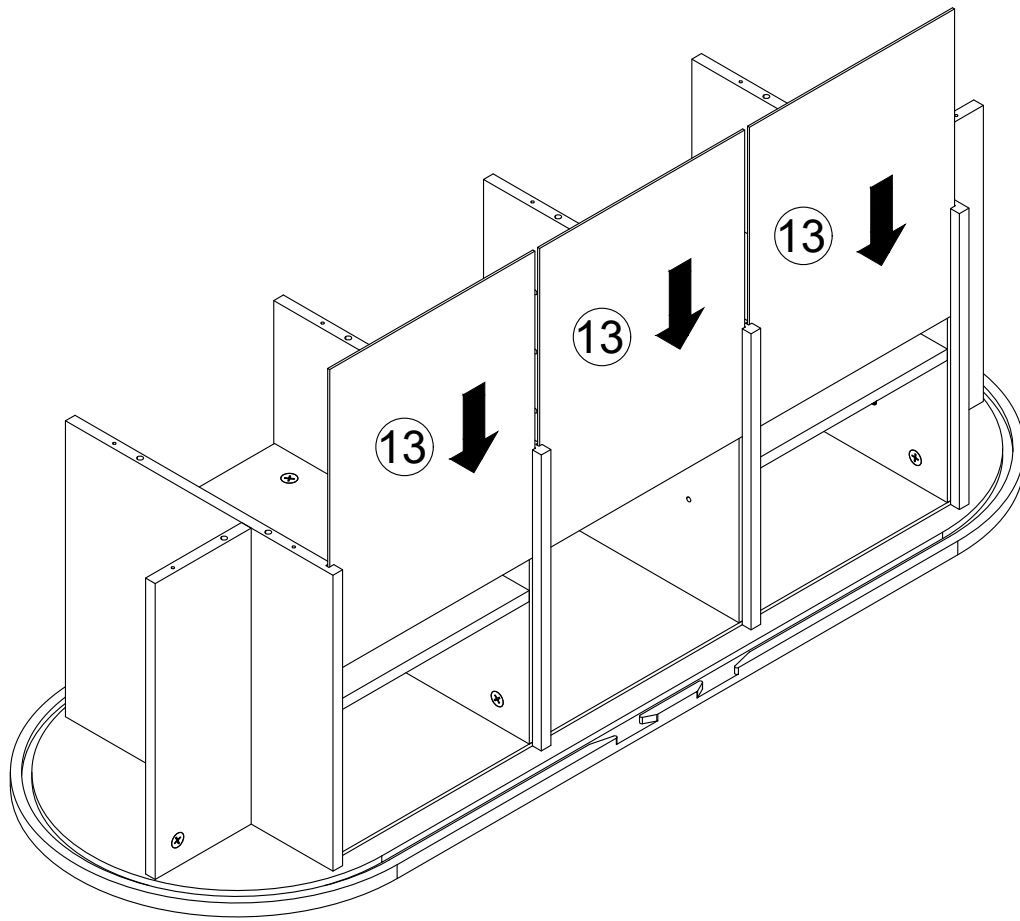
C × 10



F × 10



STEP 7



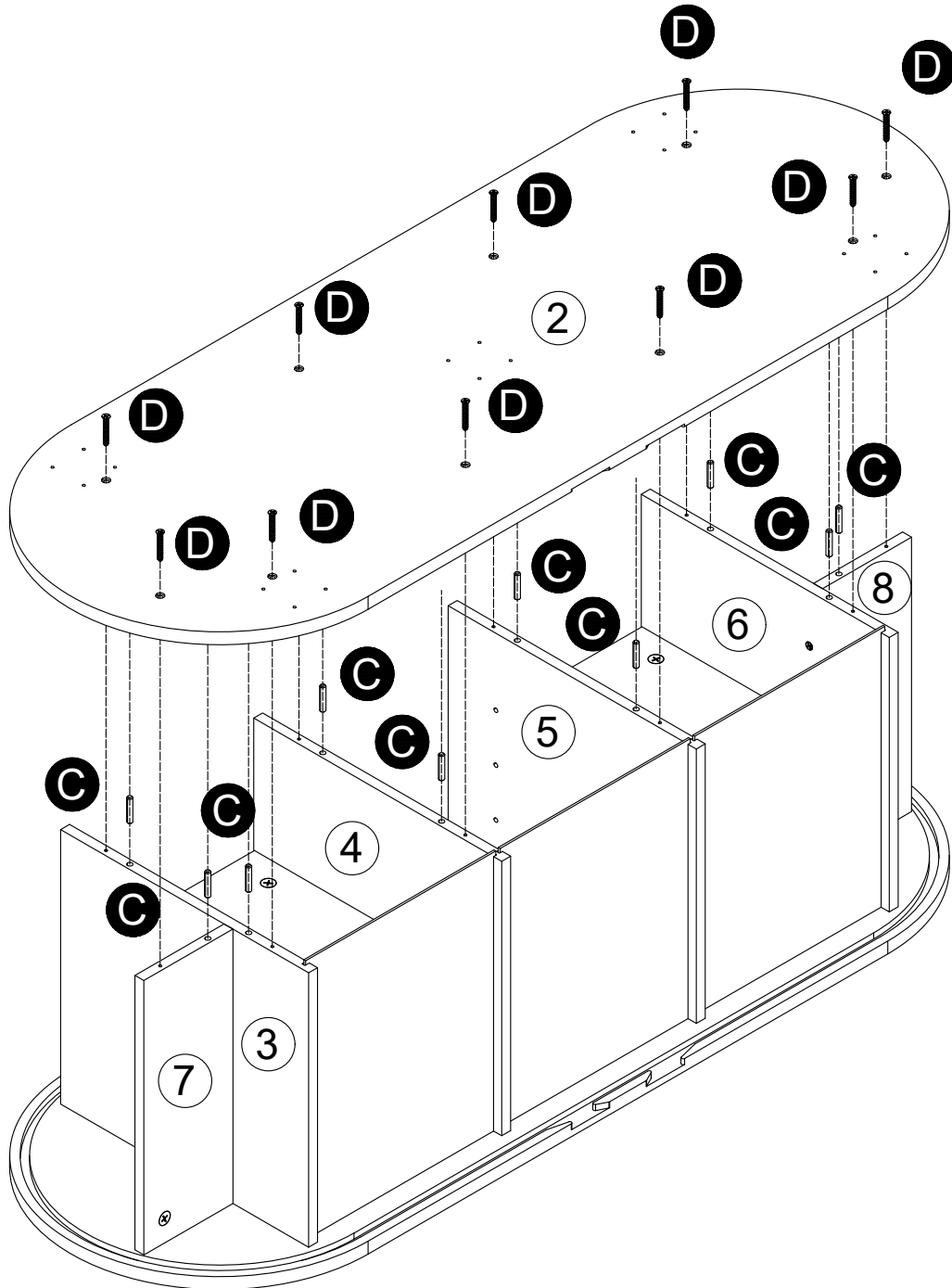
STEP 8



C ×10



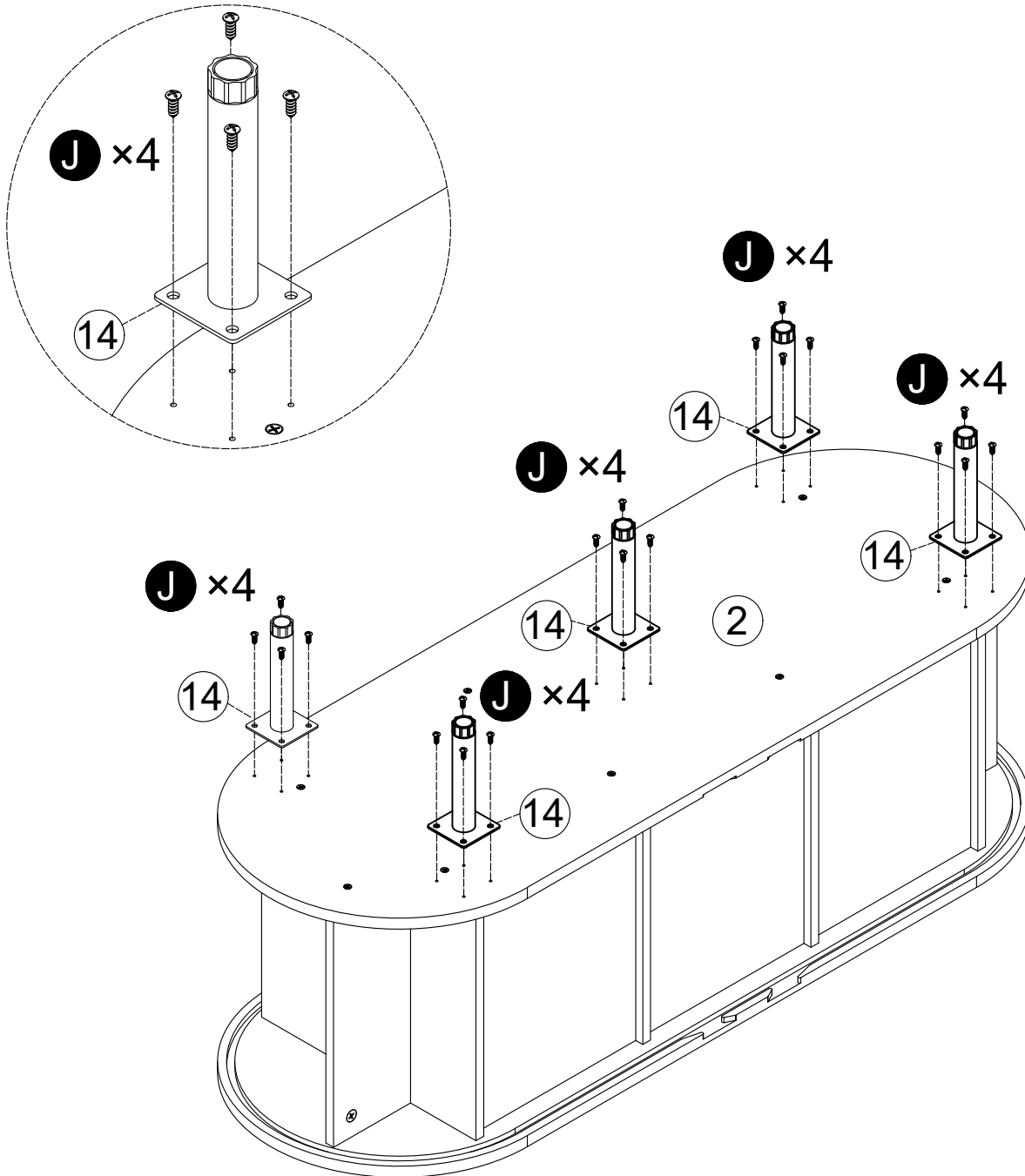
D ×10



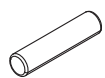
STEP 9



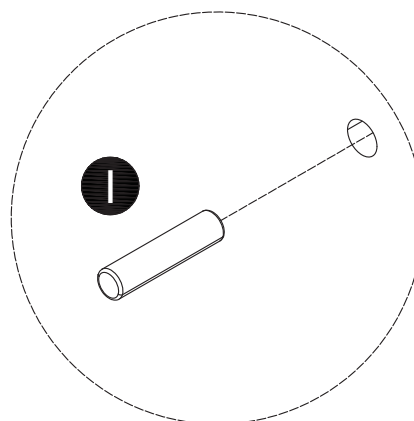
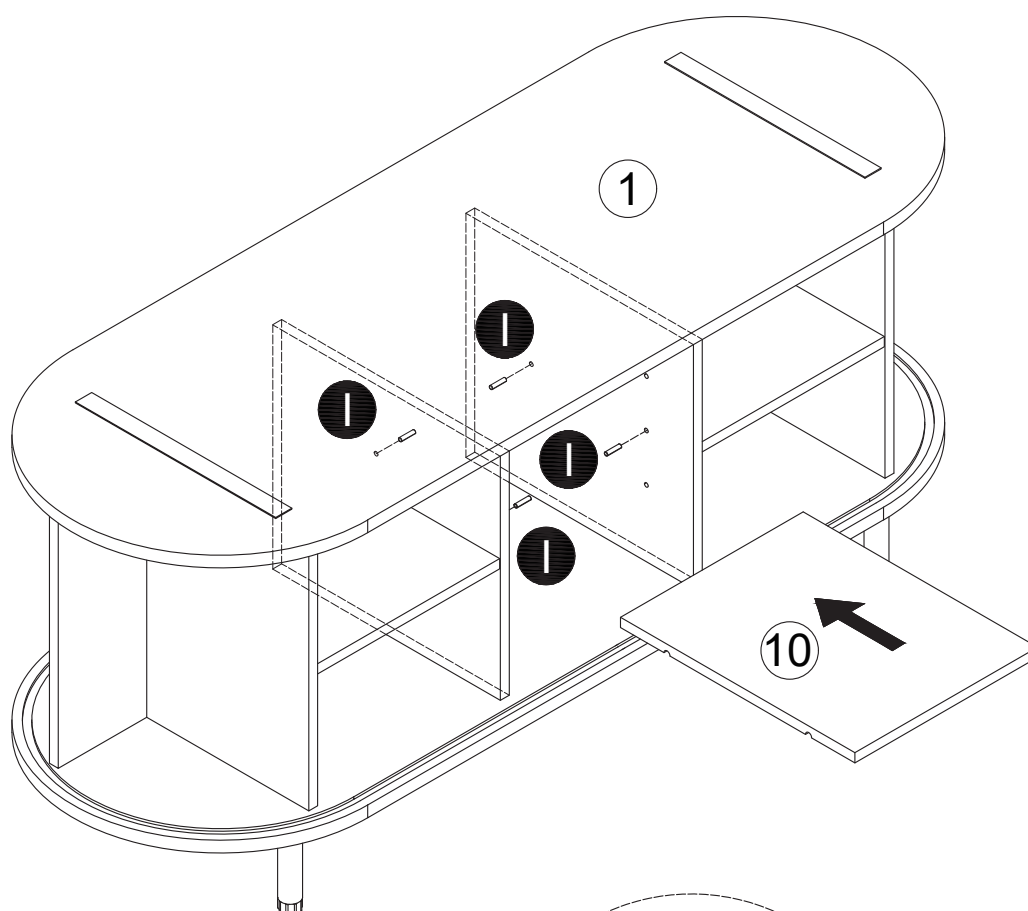
J ×20



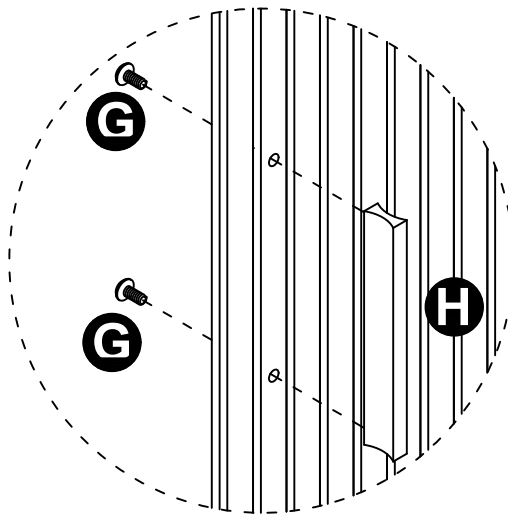
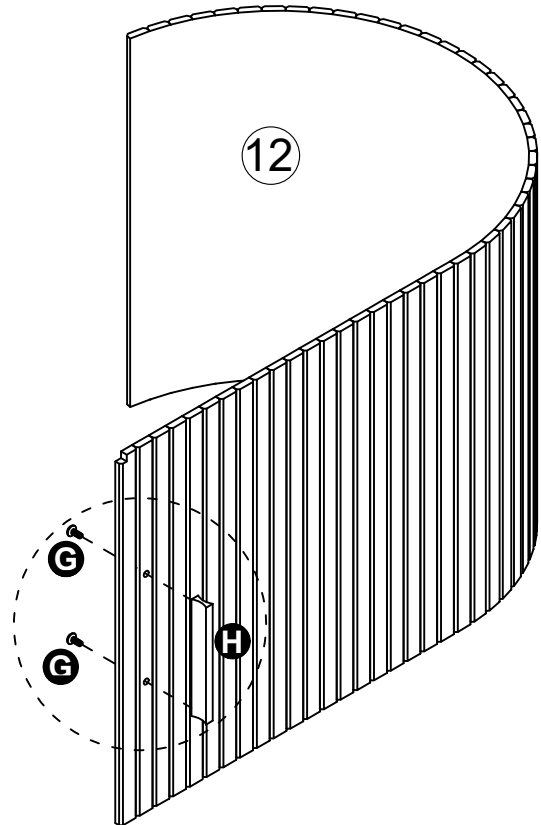
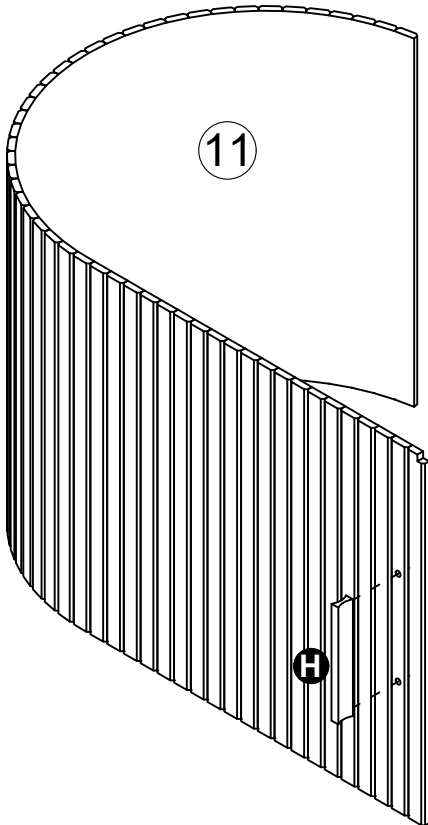
STEP 10



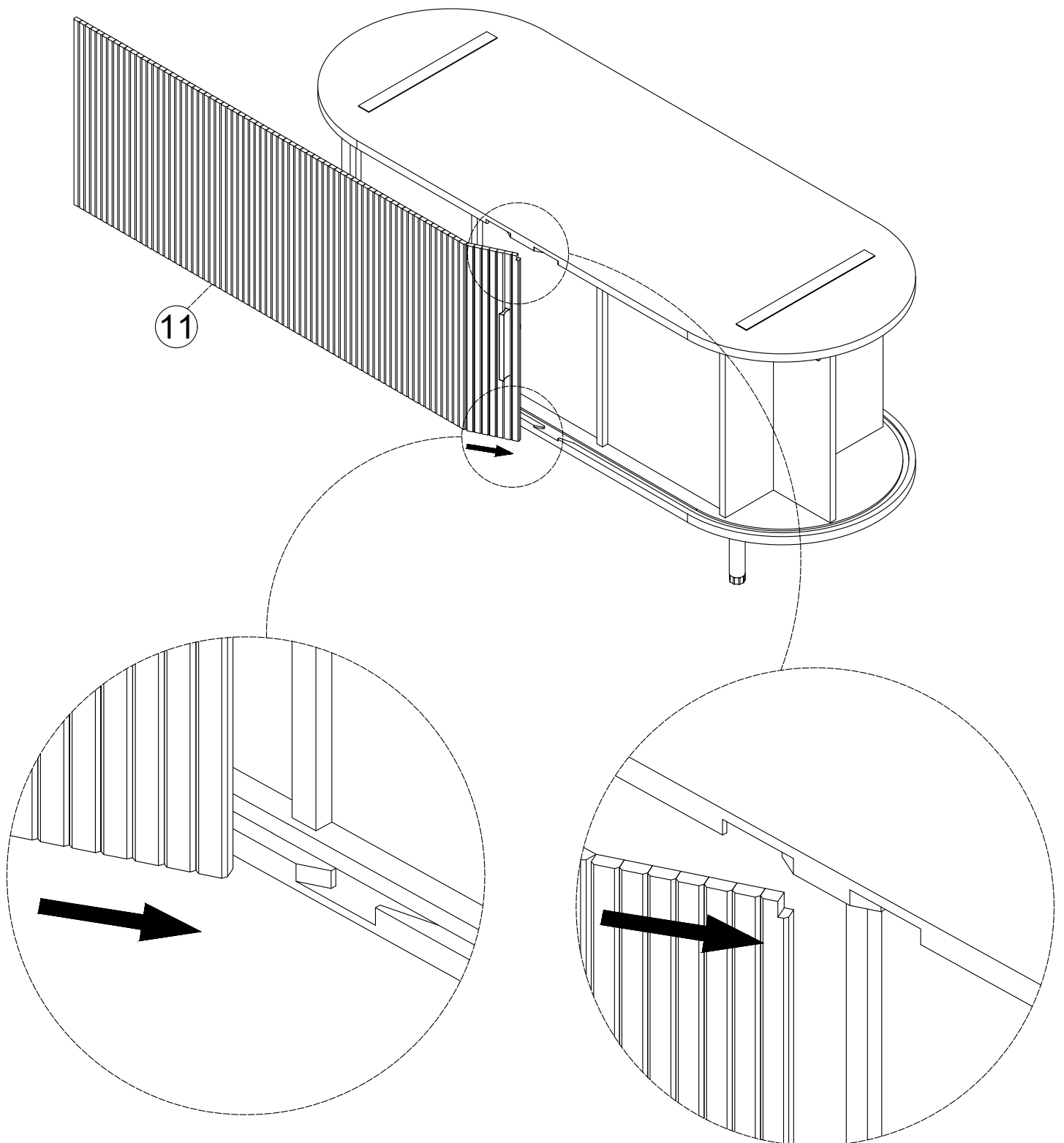
1 × 4



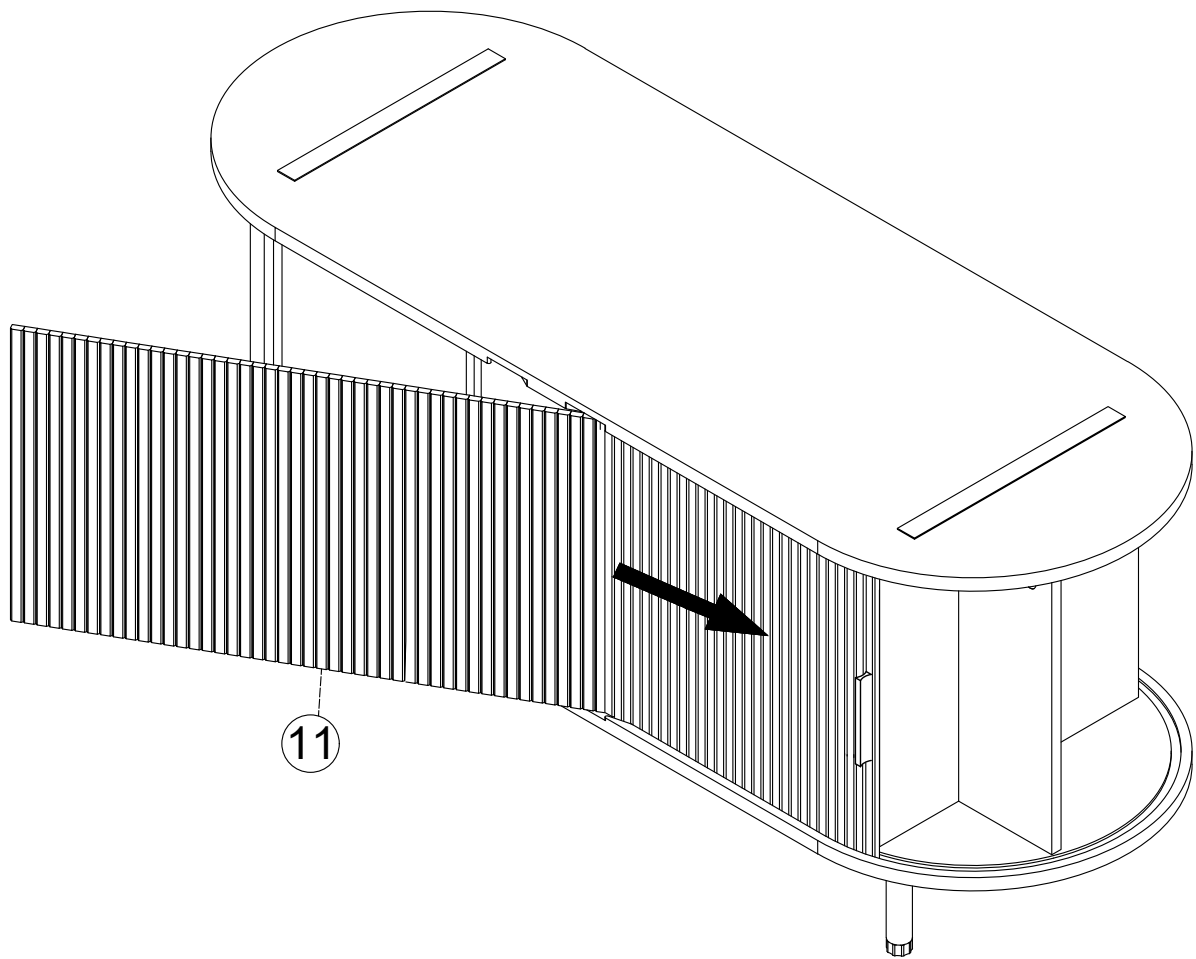
STEP 11



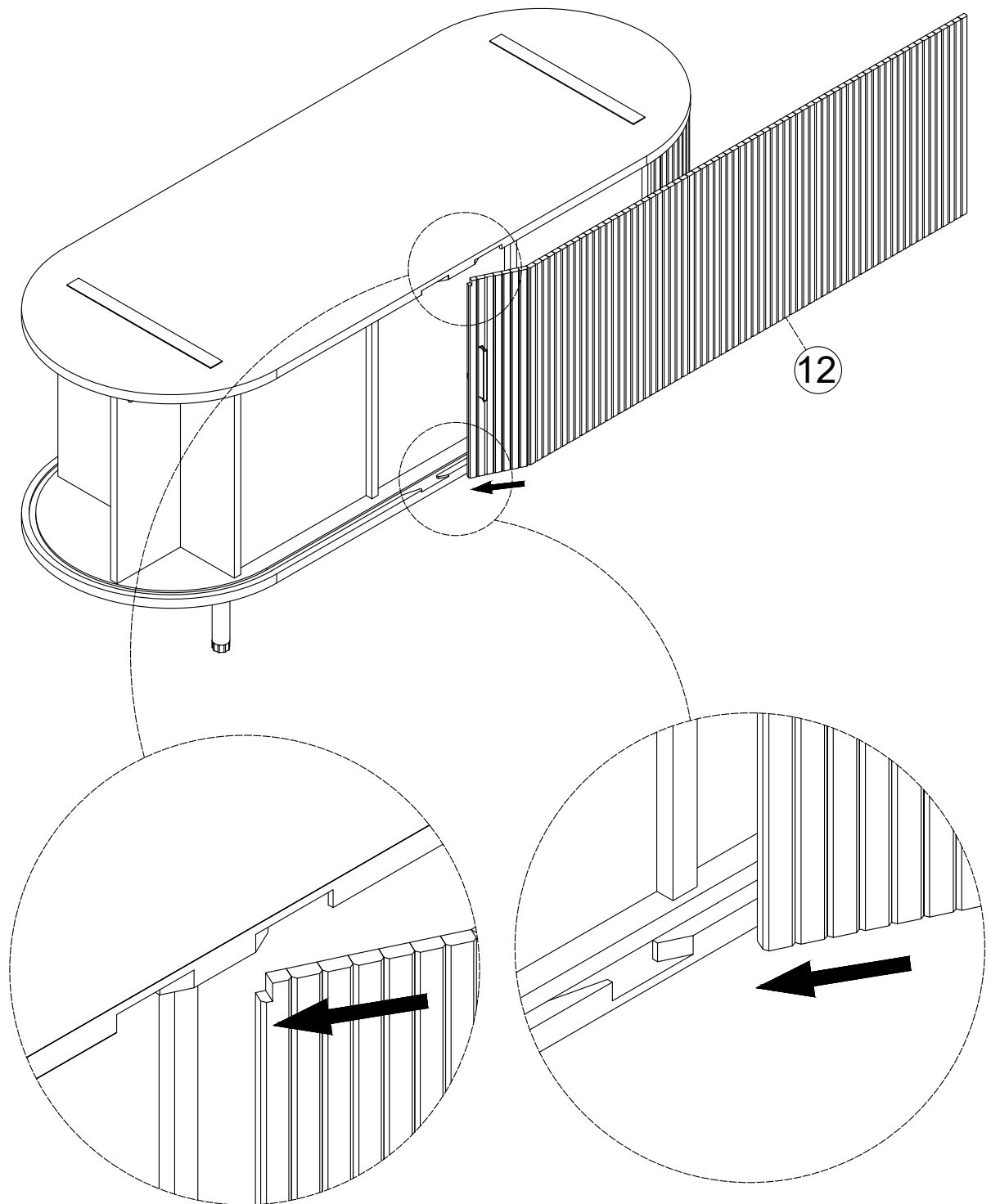
STEP 12



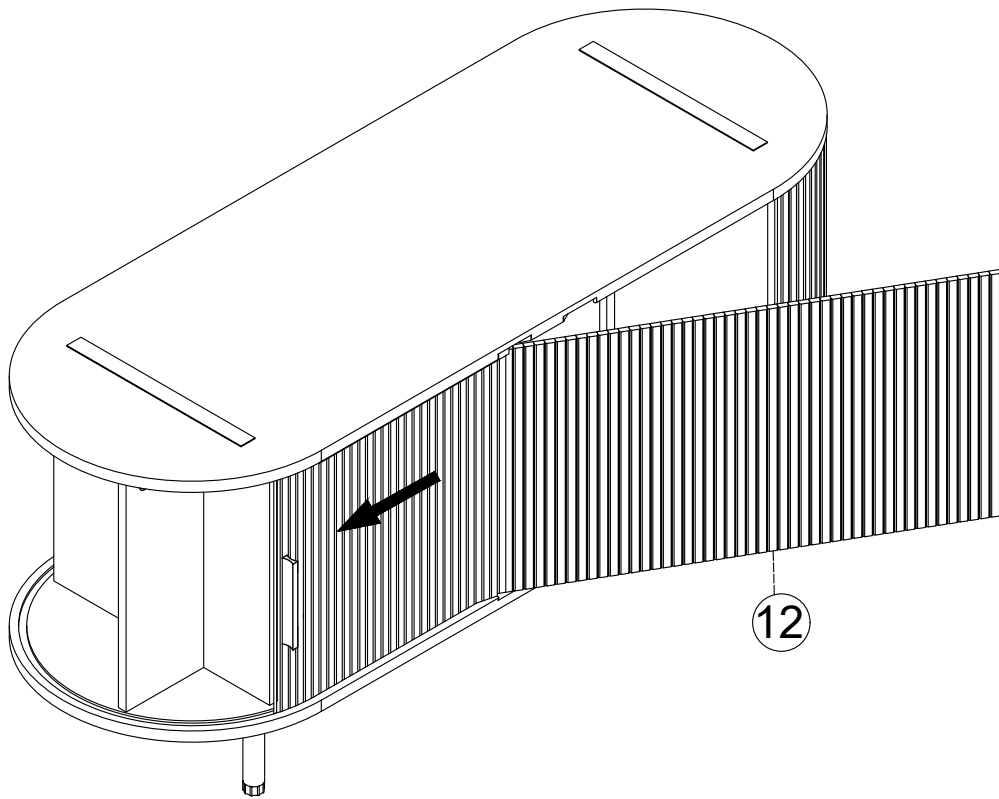
STEP 13



STEP 14



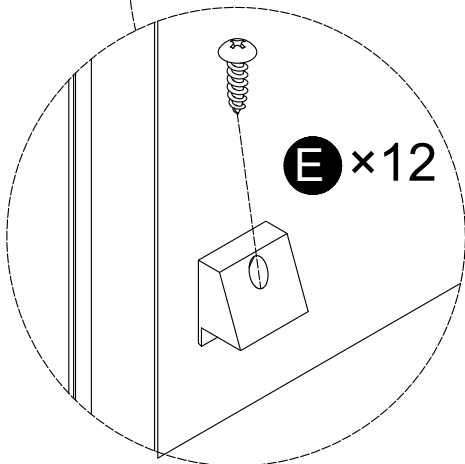
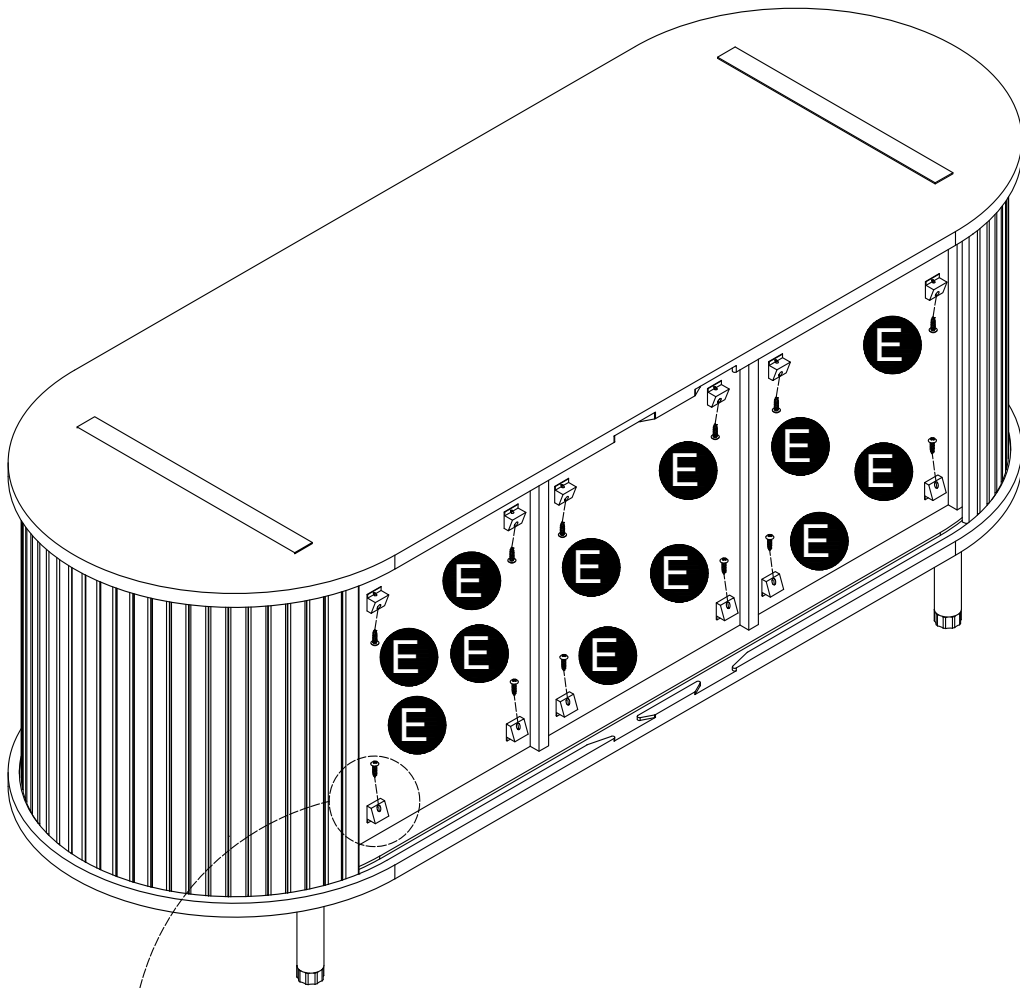
STEP 15



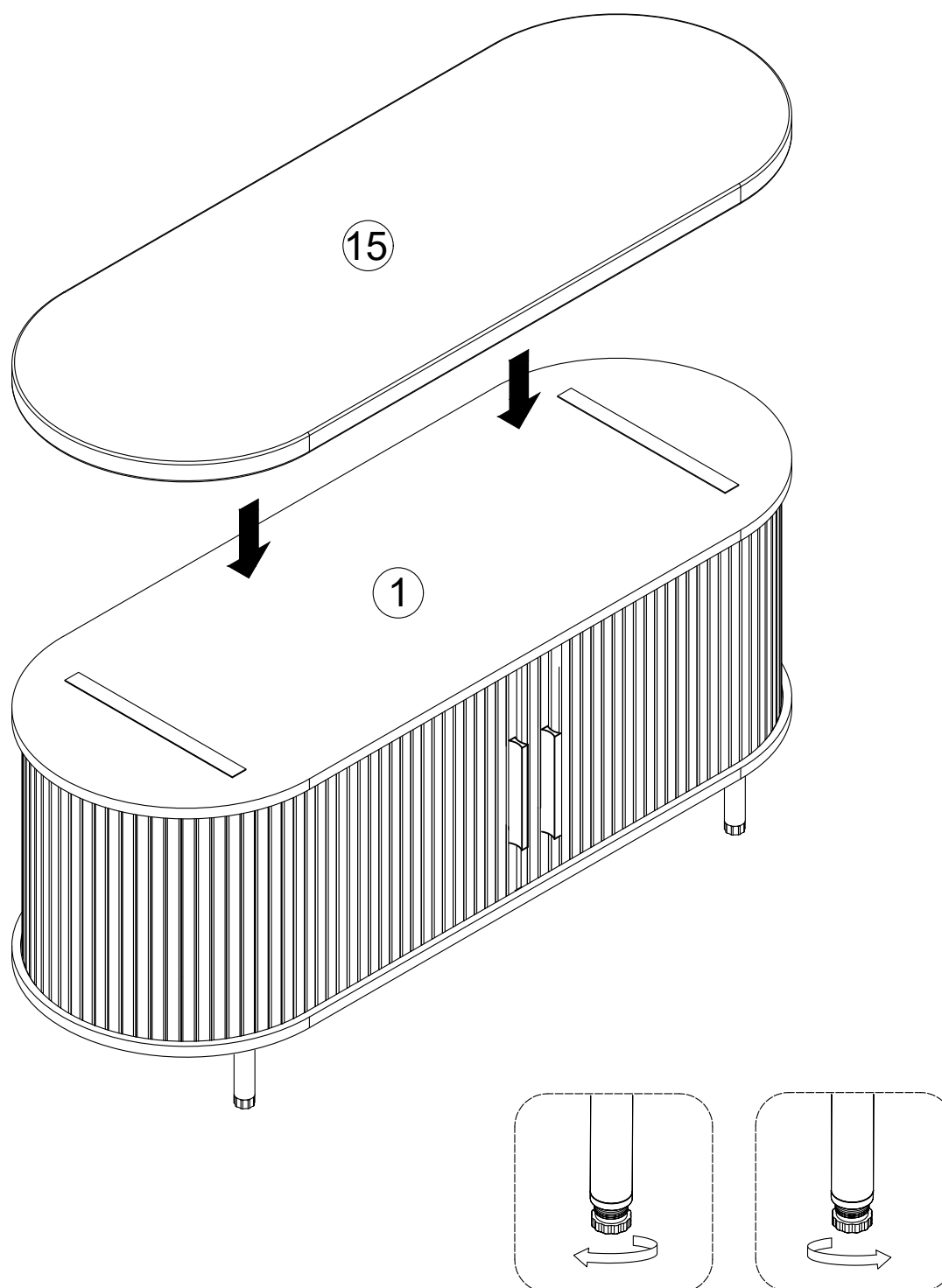
STEP 16



E × 12



STEP 17



In case of door can not closed correctly,
you can adjust the middle legs as this.