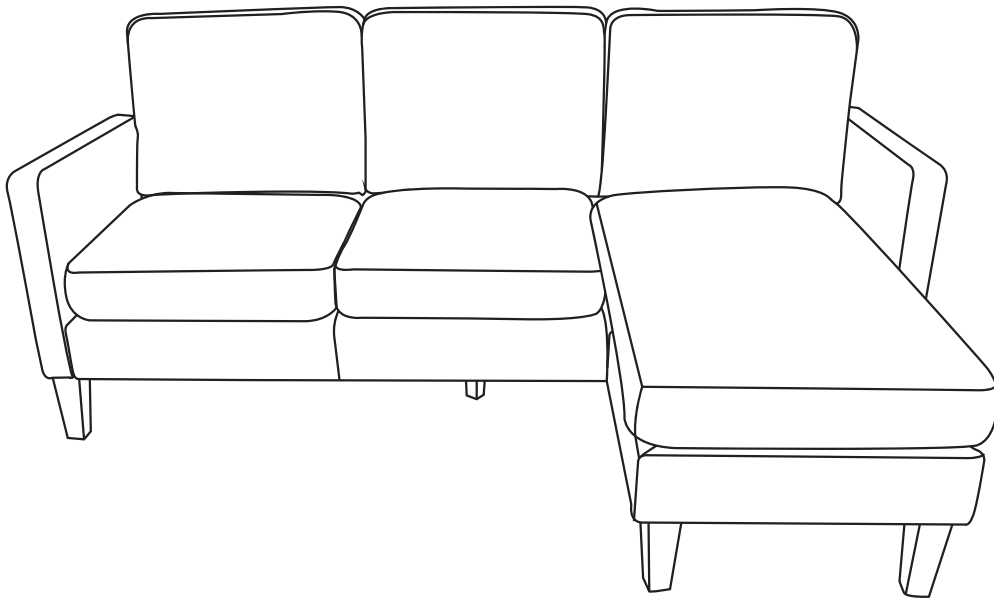


INSTRUCTION MANUAL

L SHAPED SECTIONAL



SHIP IN
2
BOX

CUSTOMER SERVICE

Questions, Missing parts, Assembly help?

No need to return the product, we will gladly help and ship your replacement parts free of charge.

If you wish to return the product, please contact the retailer where the product was purchased.

PRE-ASSEMBLY INFORMATION

Please read this manual carefully before beginning assembly of this product. Keep this manual for future reference.

NOTICE

- Please keep this manual and hand it over when you transfer the product.
- Please read the following instructions carefully and use the product accordingly.
- This summary may not include every detail of all variations and considered steps. Please contact us when further information and help are needed.
- Please do not exceed the weight limitations of this item.
- Do not stand on or use any part of this item as a step ladder.
- If any parts are missing, broken, damaged, or worn, stop using this item until repairs are made and/or factory replacement parts are installed.
- Please assemble the item in a spacious room and do not place the unwrapped product directly on the ground to avoid damage.
- Do not use this item in a way inconsistent with the manufacturer's instructions as this could void the product warranty.
- Periodically inspect screw tightness while the product is in use. If necessary, retighten to ensure structural integrity.
- To avoid the potential dangers of suffocation, please keep all parts and packaging (films, plastic bags and foam,etc.) away from children and pets.
- Do not use or store this item in the proximity of open flame or flammable/combustible chemicals.
- Do not expose product to direct sunlight exposure or rain,and do not put it in a humid place. Failure to do so may accelerate the distortion or discoloration.



TWO PERSON ASSEMBLY



UP TO 30 MINUTES FOR ASSEMBLY

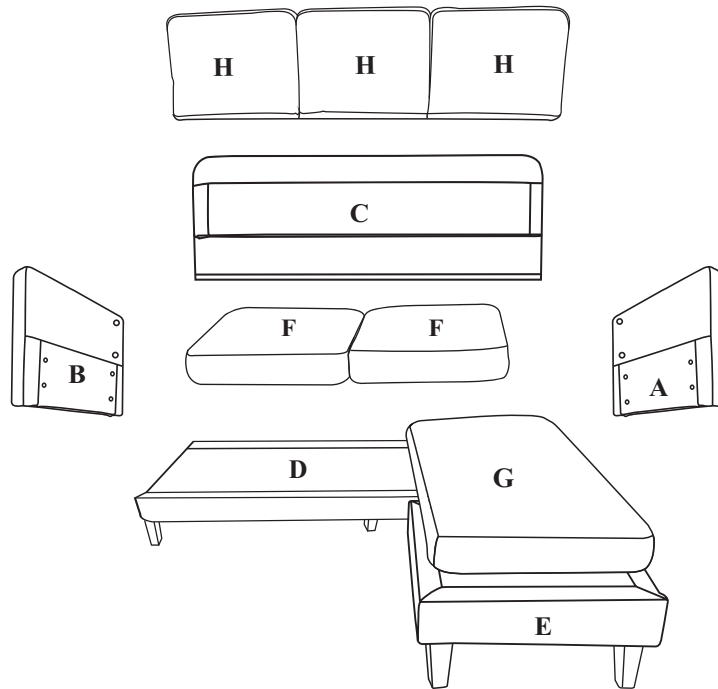







ONE SEAT WEIGHT LIMITATION:300LBS

IMPORTANT

- 1.Do not tighten bolts / screws completely until all bolts / screws are lined up and inserted into holes.
- 2.Do not over tighten screws and bolts to avoid stripping.
- 3.Please use hand tools to assemble this product. If you're using power tools, remember to set the tool to low torque to avoid damage.
- 4.We recommend unpacking and starting assembly of this item when 3 boxes are received,do not open the vacuum sealed cushions and pillows after the sofa frame is installed.

COMPONENTS

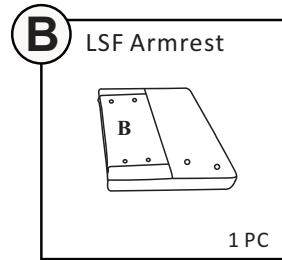
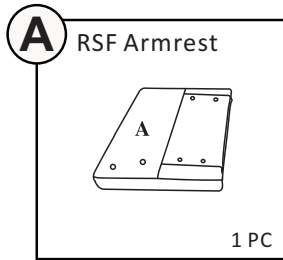
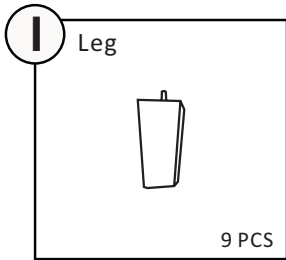
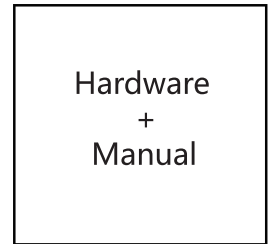
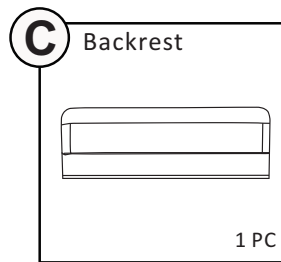
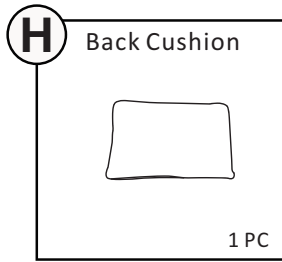
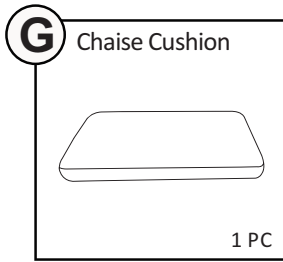
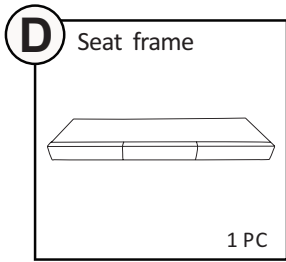


- I**  **9 X Sofa Leg**
- J**  **9+1 X Gasket**
- L**  **12 + 1 X Bolt $\varphi 8*60\text{mm}$**
- M**  **12 + 1 X Flat Washer**
- N**  **1 X Allen Key**

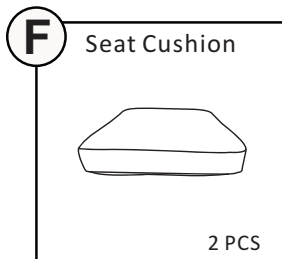
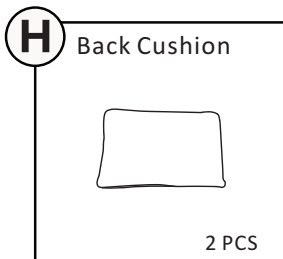
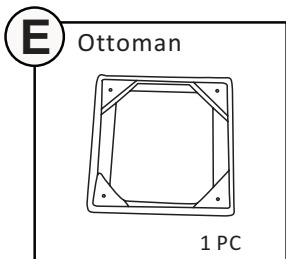
TOOLS REQUIRED:  **SCISSORS (NOT INCLUDED)**

COMPONENTS

BOX 1

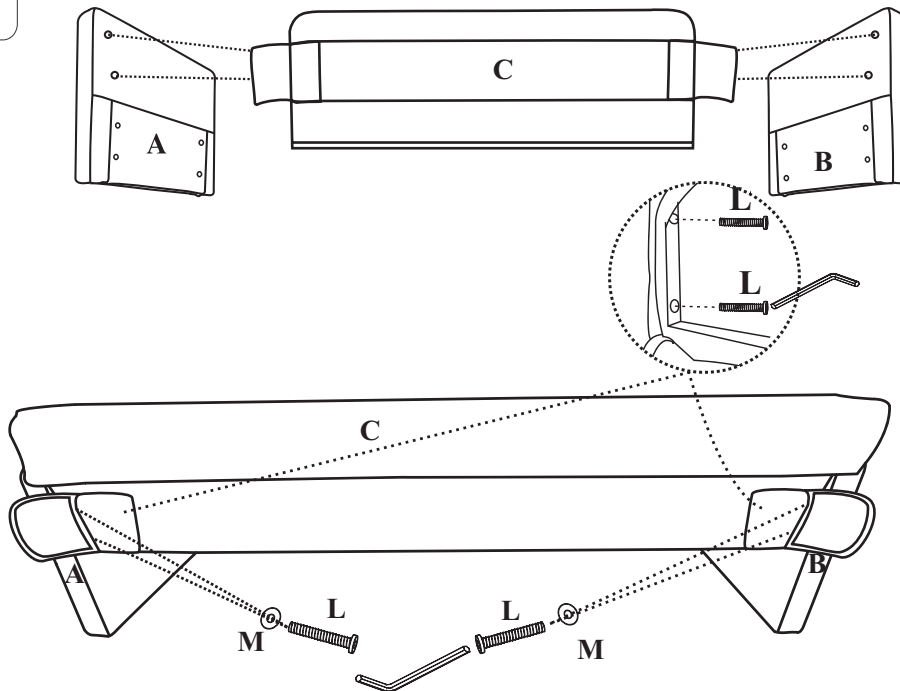
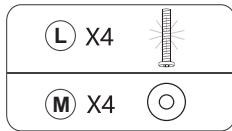


BOX 2

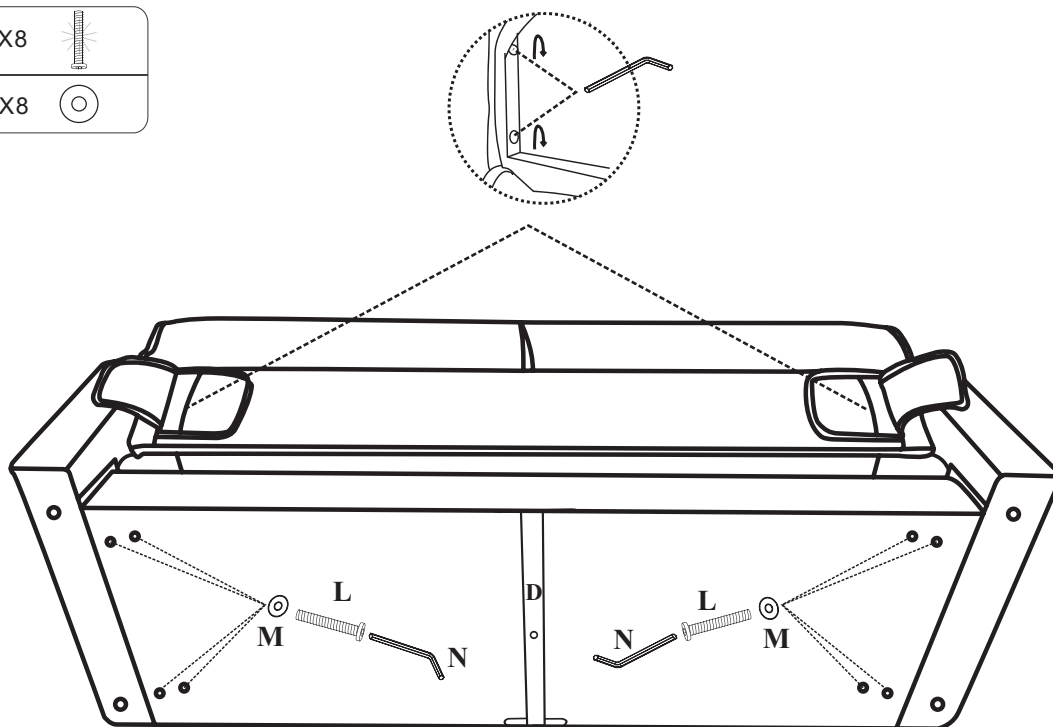
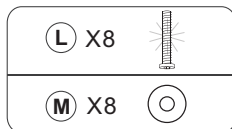


STEP 1

Assemble the back frame (C) to the armrest (A) and armrest (B) with bolts (K) to 70% tightness



**STEP 2**

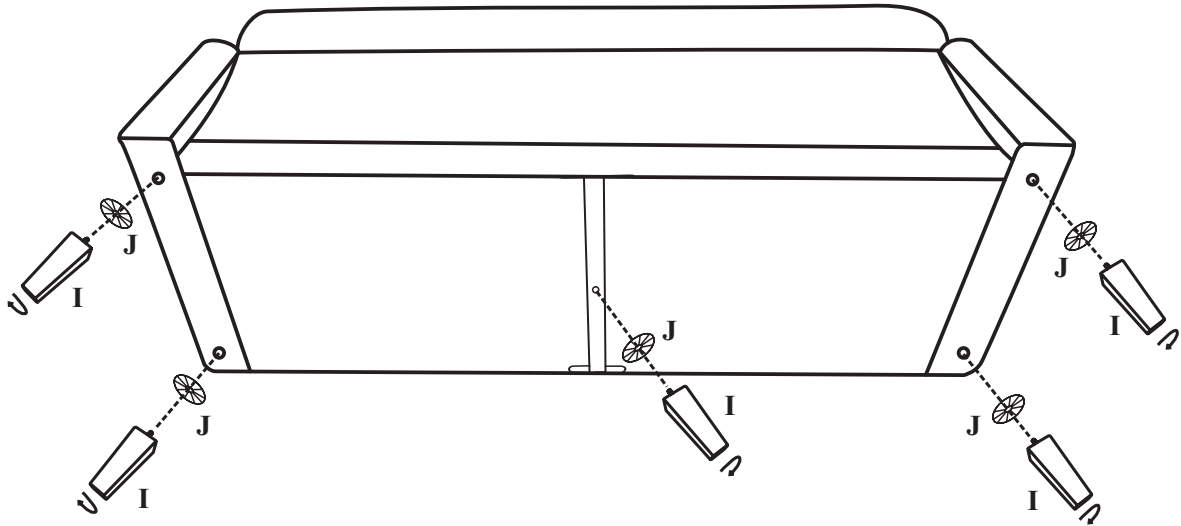
Assemble the seat frame (D) to the armrest (A) and the armrest (B) tightly with the bolts (L), and then tighten the bolts on the back.





STEP 3

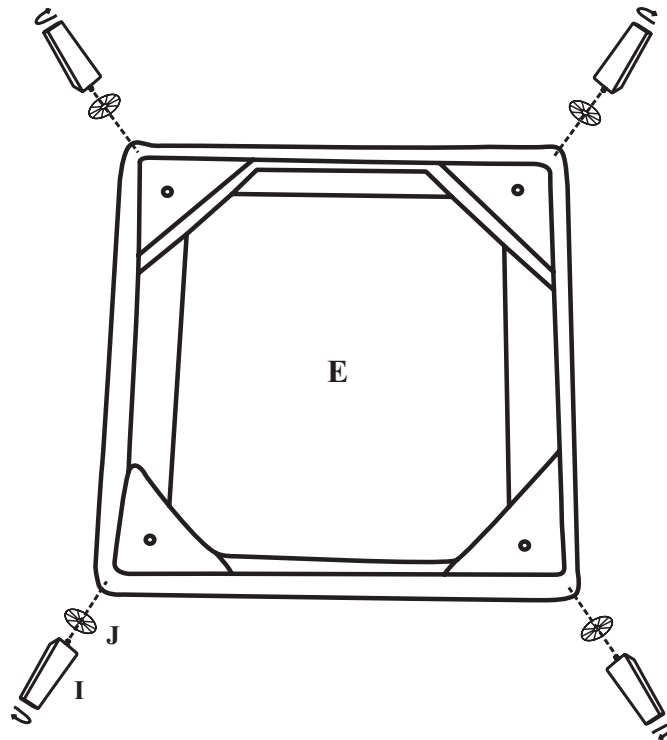
Assemble the sofa feet (I) on the sofa, don't forget the one in the middle.

- | | |
|------|---|
| ⓐ X5 |  |
| ⓑ X5 |  |

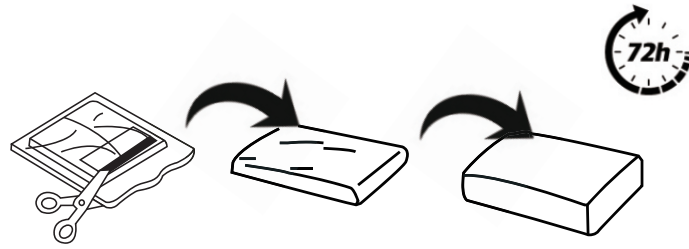
**STEP 4**

Assemble sofa feet (I) to ottoman (E)

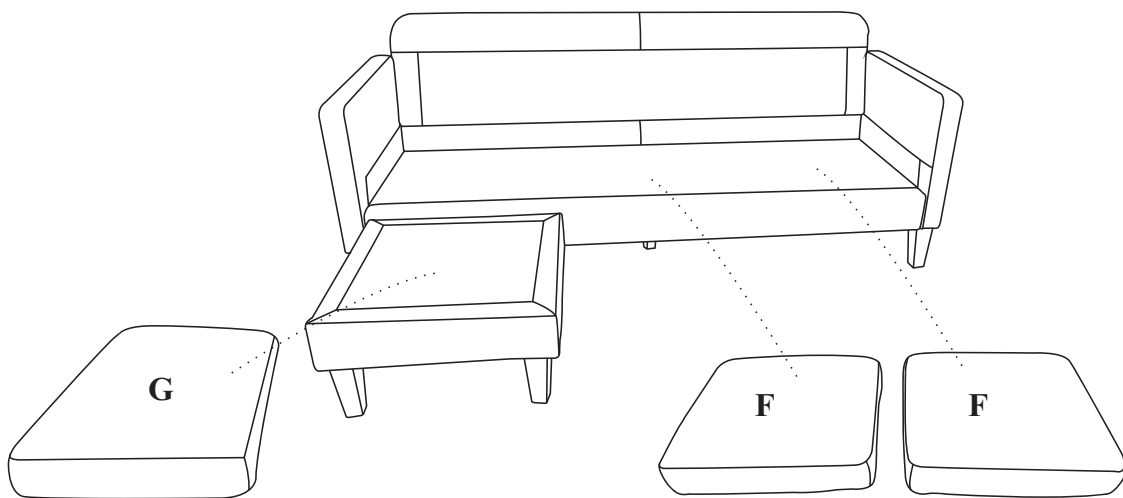
- | | |
|------|---|
| ⓐ X4 |  |
| ⓑ X4 |  |



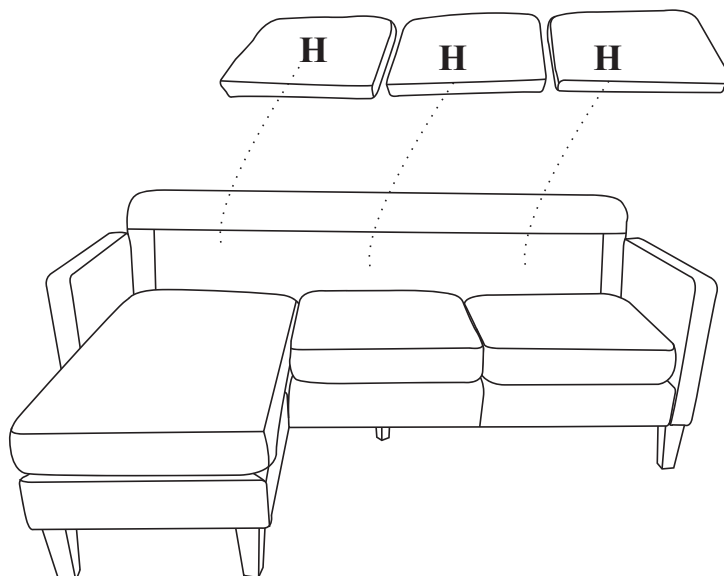
STEP 5 Use scissors to open all the vacuum sealed cushions, It may take 24-72hrs to fully expand back to its original shape & firmness.



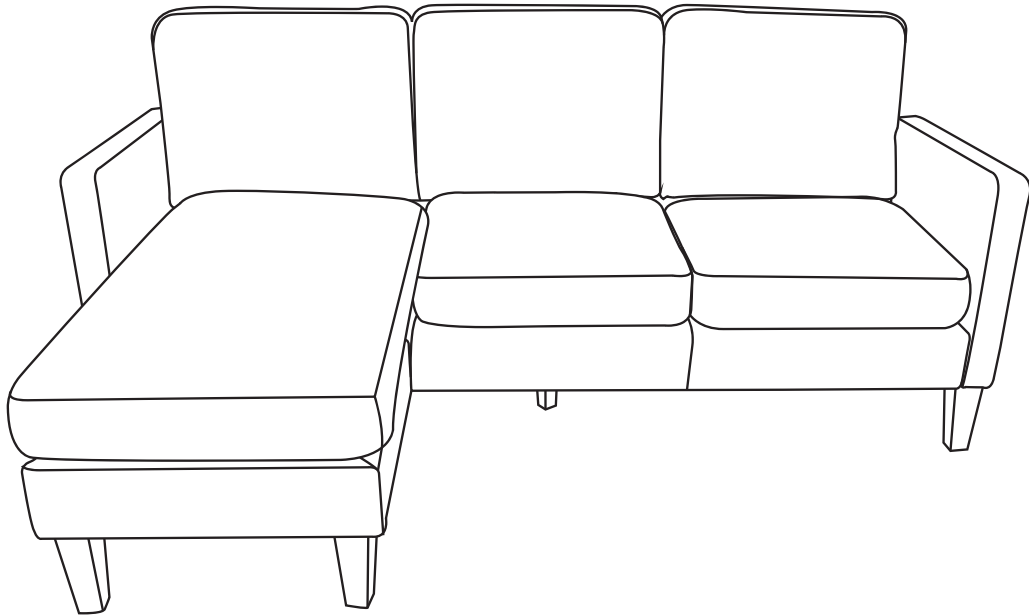
STEP 6 Place three Seat Cushions on the Sofa



STEP 7 Place three back Cushions on the Sofa



STEP 8



OR

