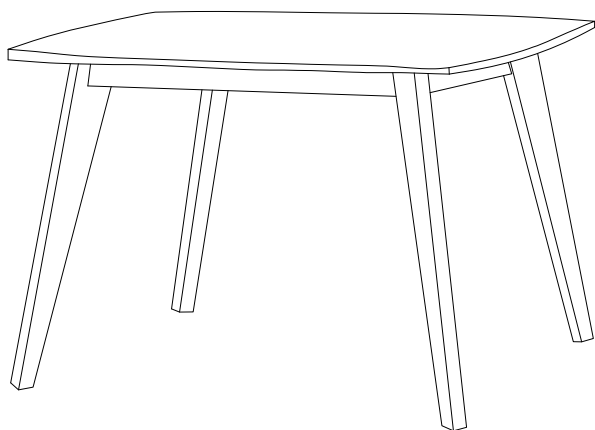


# TABLE





Thank you for purchasing the **TABLE!**

Before you start, here is some helpful advice:

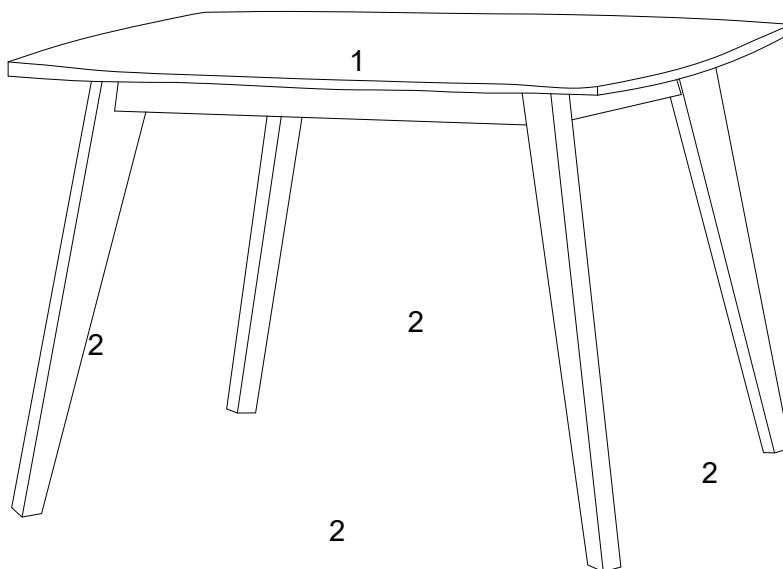
1. We suggest you spend a short time reading through this leaflet and then follow the simple step-by-step instructions.
2. Owing to the size and weight of the table, we recommend that it is assembled by two adults, on a carpeted or padded area, in the room that it is intended for. Approximate assembly time: 30 minutes.
3. Please do not use any tools other than those provided or recommended in these instructions.
4. Please do not throw away any of the packaging or the instruction until you have checked all the components and hardware and the furniture is fully assembled. Please ensure that the packaging is disposed of in a safe and environmentally friendly way.
5. Assemble all components loosely until advised to tighten. Depending on use, it may be necessary to tighten the components from time to time, so please save the tools that have been provided.
6. Please keep all fitting out of reach of children.



### Hardware:

A		Bolt M8x80mm	x8
B		Spring Washer M8	x8
C		Flat Washer M8	x8
D		Allen Wrench M5	x1

### Component:



1 Table Top x1

2 Table Leg x4

## TABLE

### STEP 1:

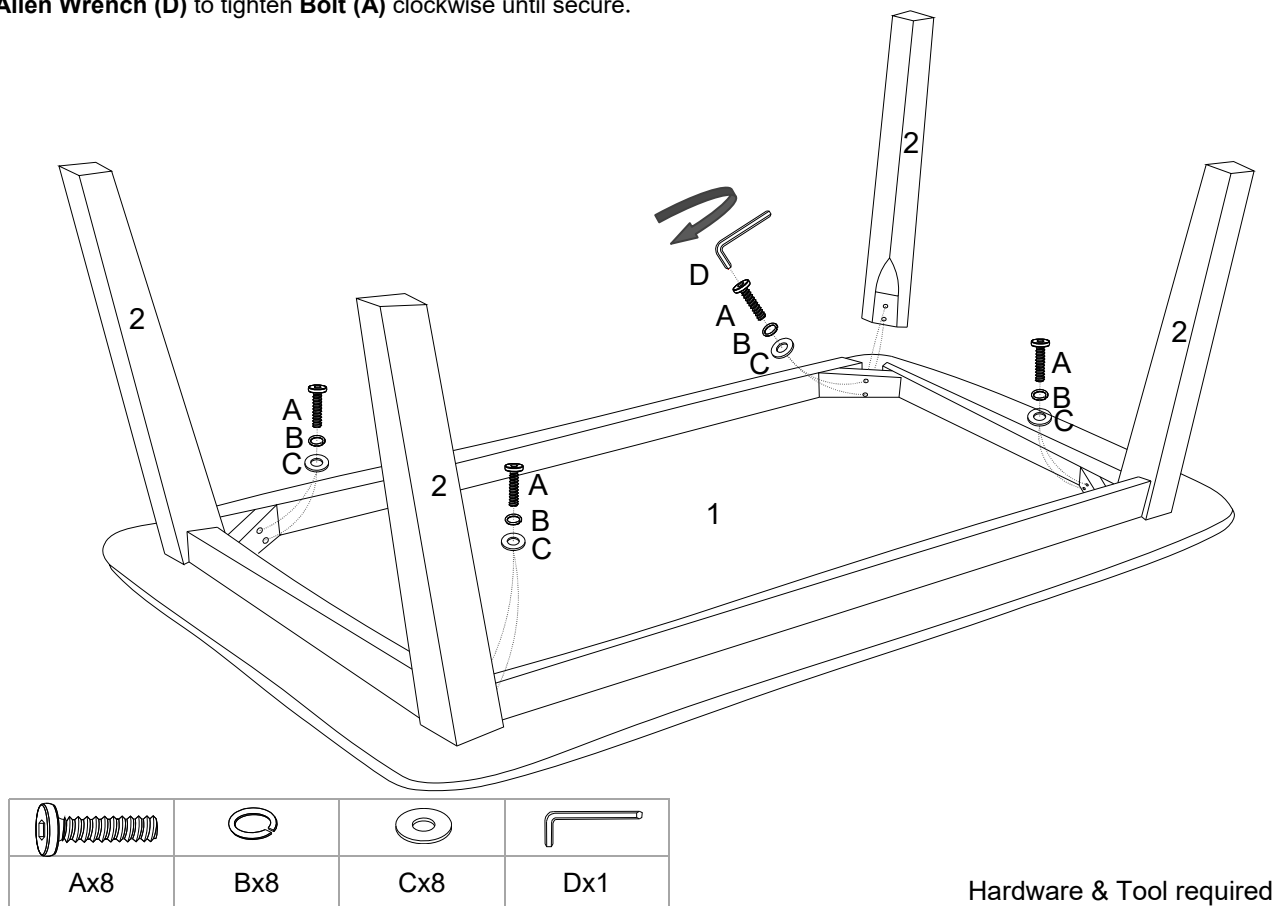
Please put **Table Top (1)** upside down on a carpeted or padded area.

Position 1 piece of **Table Leg (2)** to the bottom of **Table Top (1)** as shown.

Insert 2 pieces of **Bolt (A)** with 2 pieces of **Spring Washer (B)** and 2 pieces of **Flat Washer (C)** into the holes on bottom of **Table Leg (2)** through the holes on **Table Top (1)**.

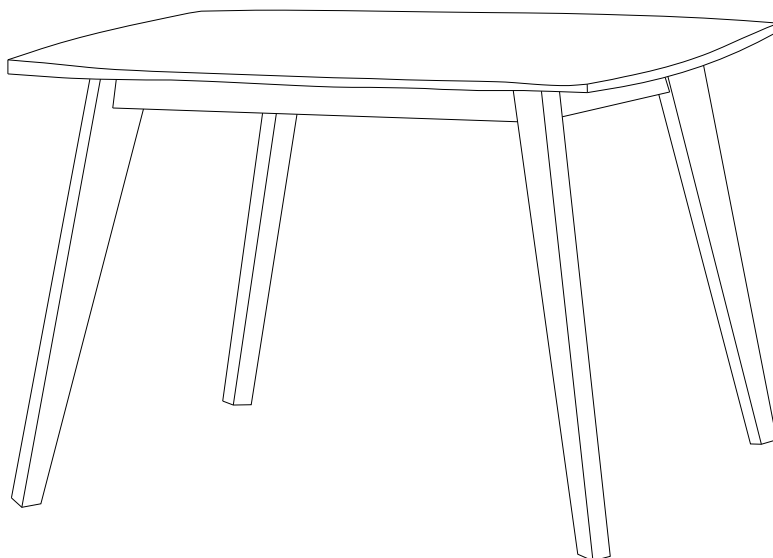
Repeat the same steps for the remaining **Table Legs (2)**.

Use **Allen Wrench (D)** to tighten **Bolt (A)** clockwise until secure.



### STEP 2:

Carefully turn over the assembled table.



Assembly is complete. Your table is ready to be used now!