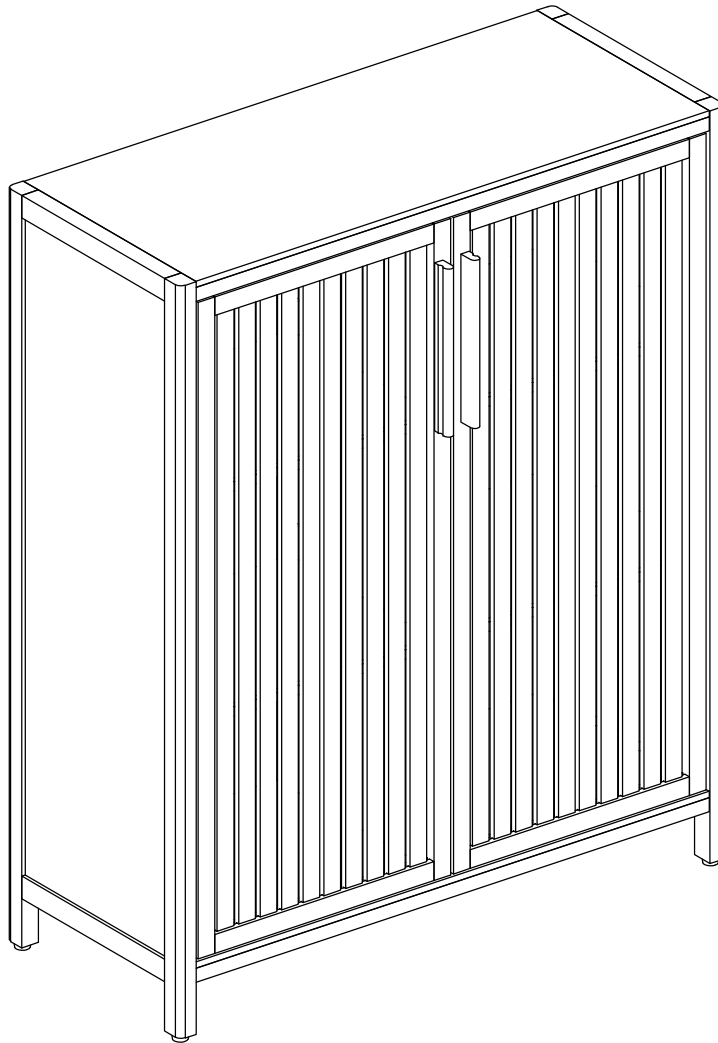


BAMBOO SHOE CABINET



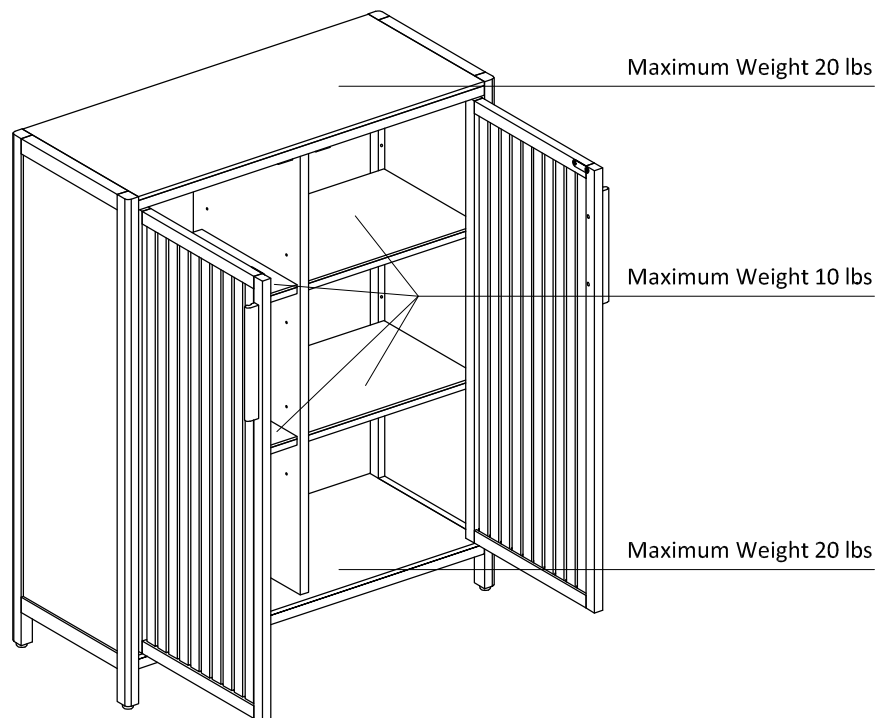
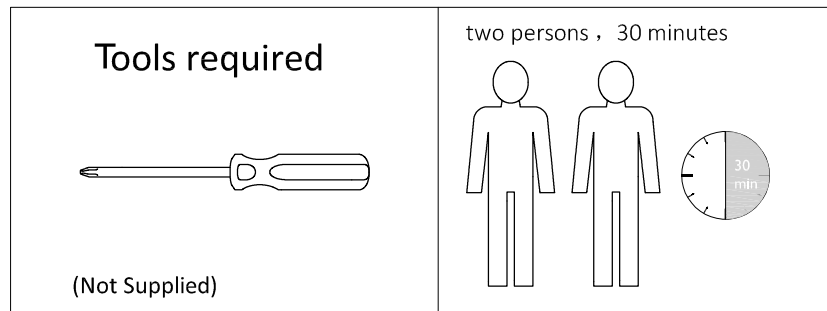
Getting started

Thank you for purchasing **this product**. Read the instructions and warnings carefully before use, to ensure safe and satisfactory operation of this product.

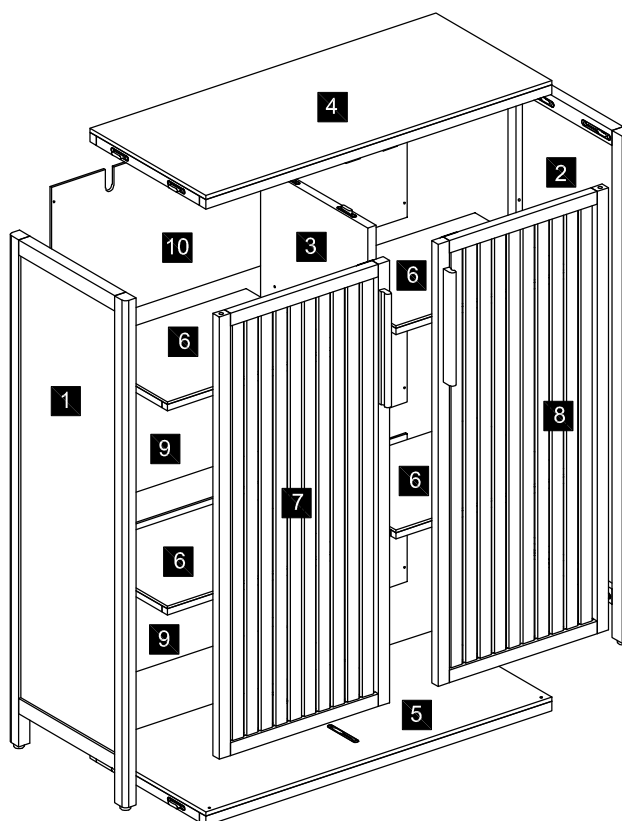


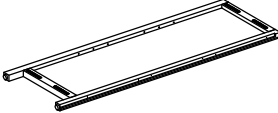
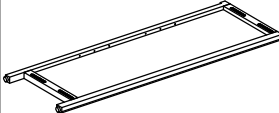
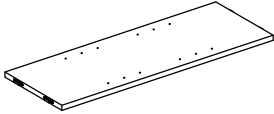
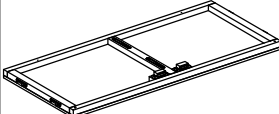
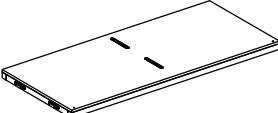
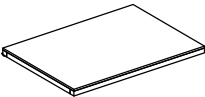
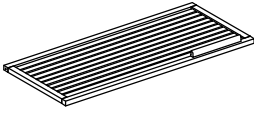
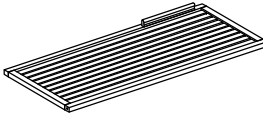
WARNING

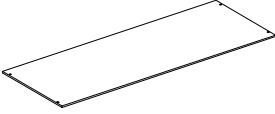
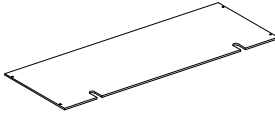
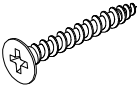
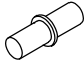

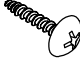
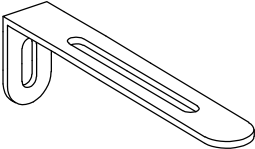
- Do not let any sharp objects touch or rub the surface of the product.
- When assembling, do not let children play around the working area.
- Please confirm all parts are correct before starting the assembly process.
- Do not tighten all bolts and screws completely until the entire unit has been assembled and set up.
- **DO NOT USE POWER TOOLS.**
- Power tools can over tighten screws and strip threads.
- For each screw:
 1. Tighten each screw until you meet resistance.
 2. Tighten one additional full rotation. **DO NOT OVER TIGHTEN.**



Fittings and parts checklist



No.	Picture	Name	Qty	No.	Picture	Name	Qty
1		Left side frame	1	2		Right side frame	1
3		Divider	1	4		Top panel	1
5		Bottom panel	1	6		Adjustable shelf	4
7		Left door	1	8		Right door	1

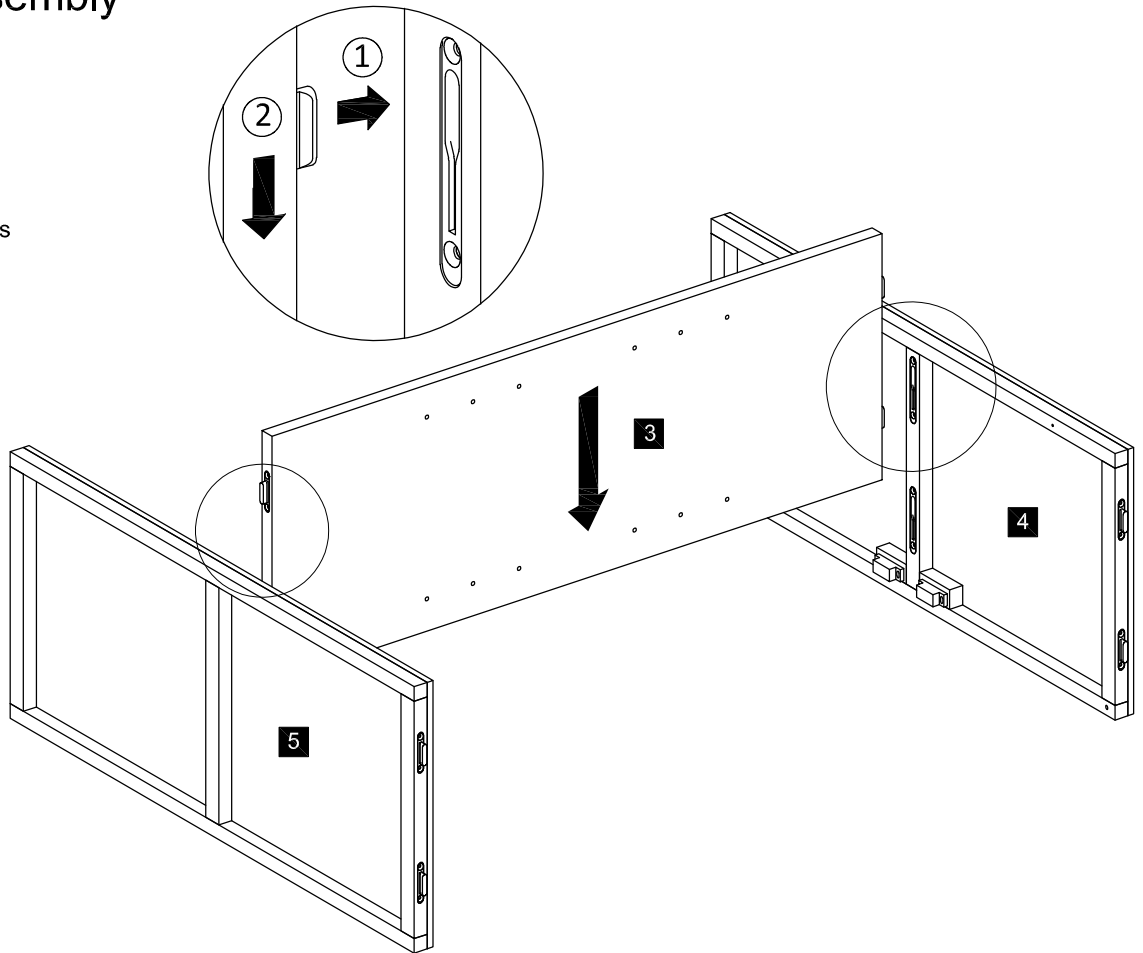
No.	Picture	Name	Qty	No.	Picture	Name	Qty
9		Under back panel	2	10		Upper back panel	1
A		Screw	12	B		Shelf Support	16
C		Pin	5 (One spare)	D		Screw	2
E		Metal 'L' Bracket	2				

Product assembly

Step 1

Parts, fittings and tools

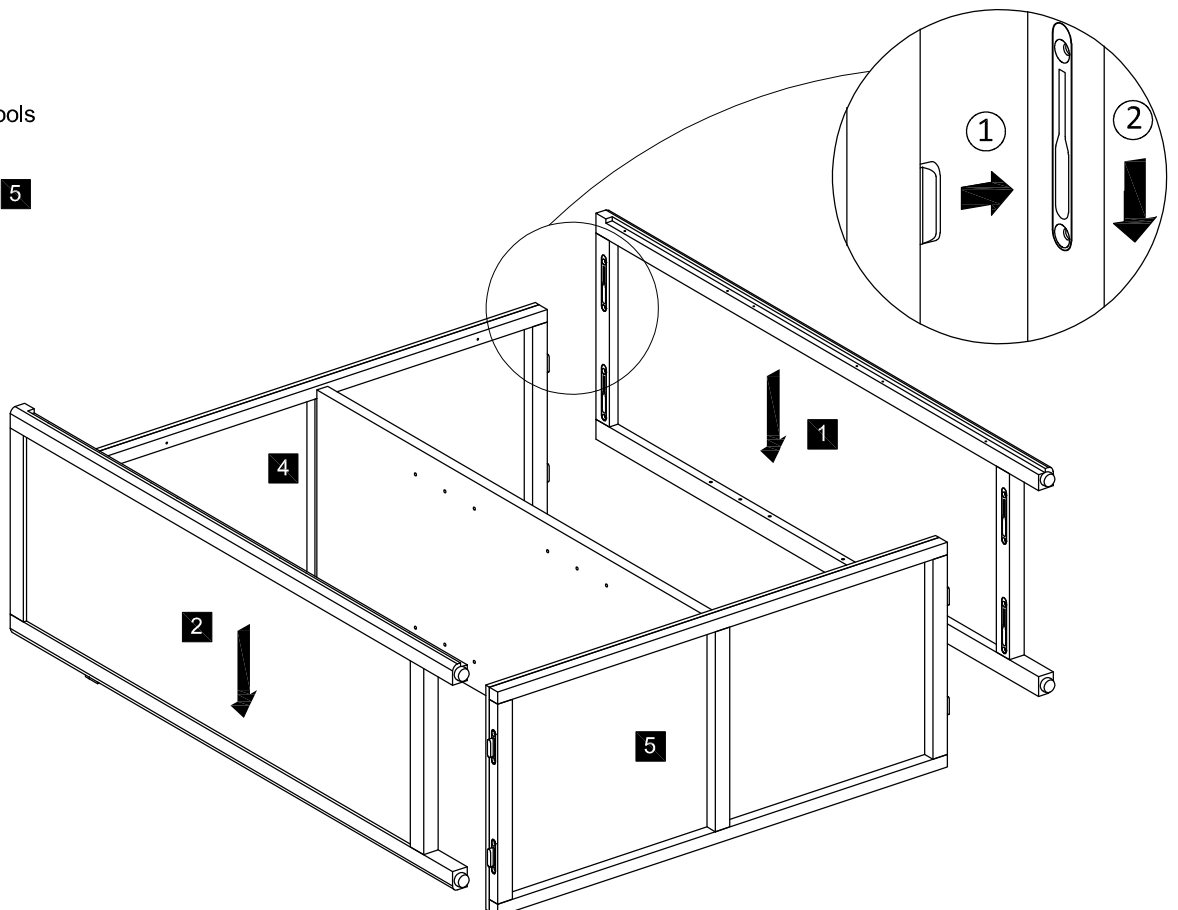
3 4 5



Step 2

Parts, fittings and tools

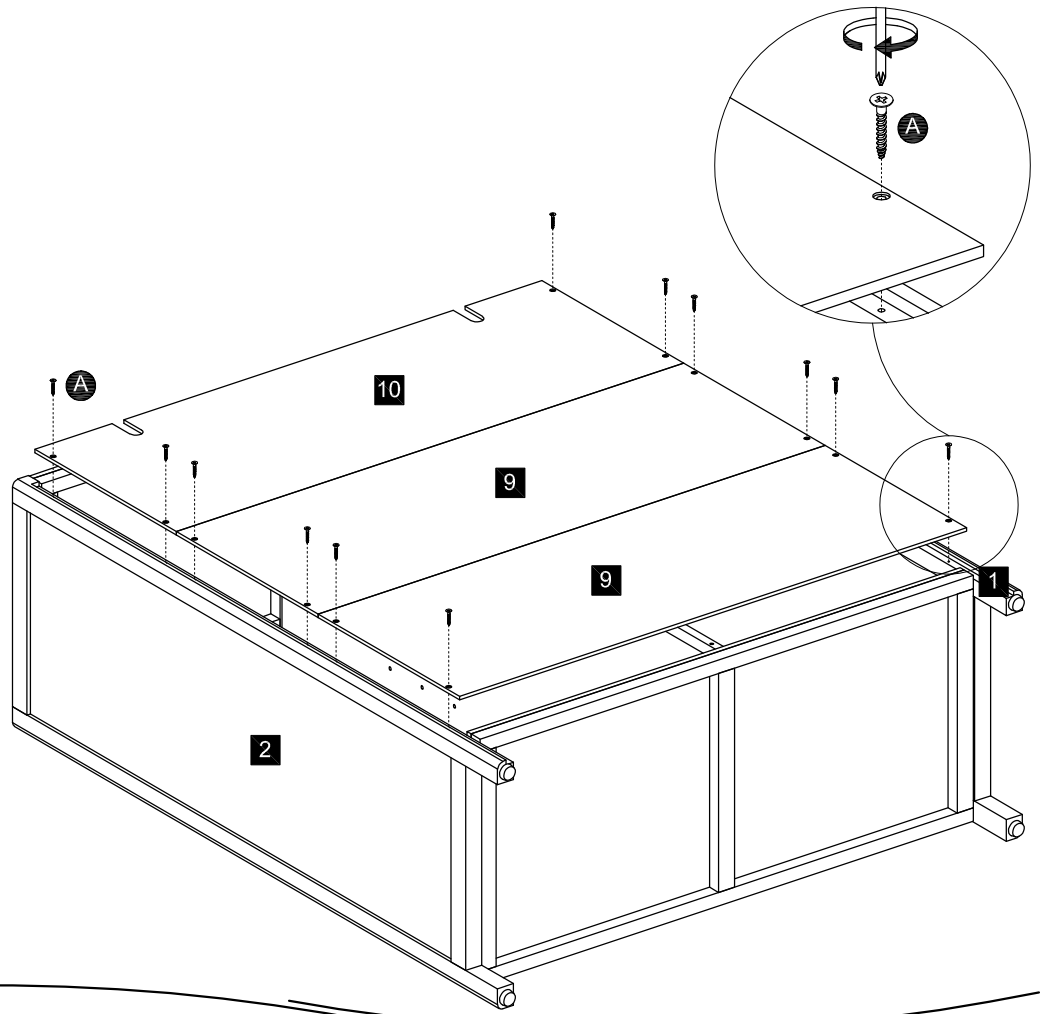
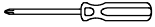
1 2 4 5



Step 3

Parts, fittings and tools

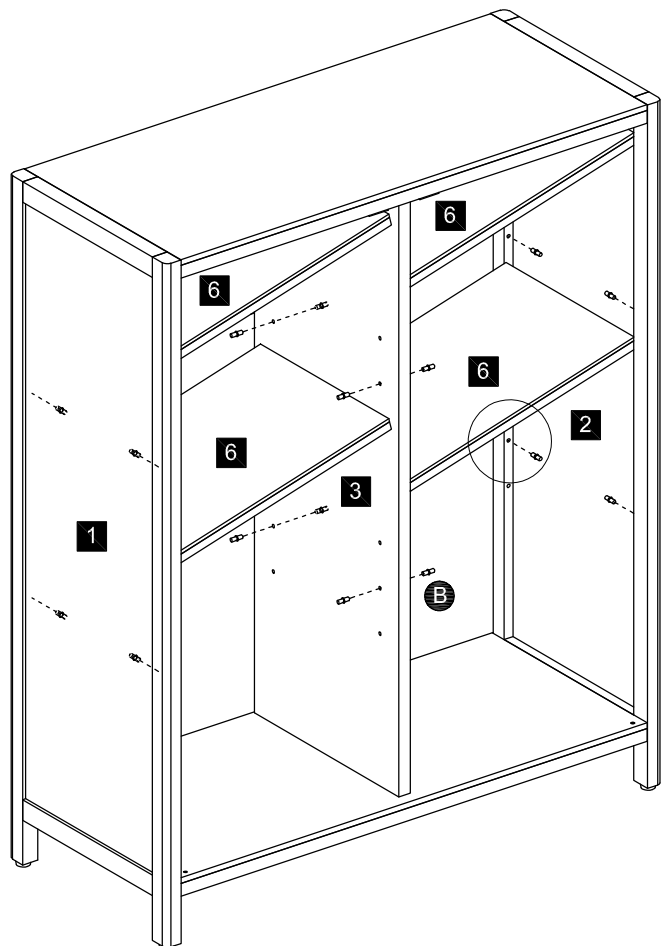
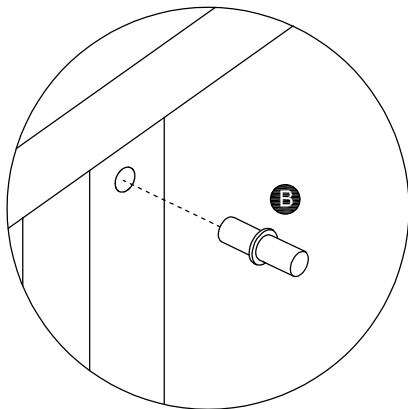
1 2 9 10 A



Step 4

Parts, fittings and tools

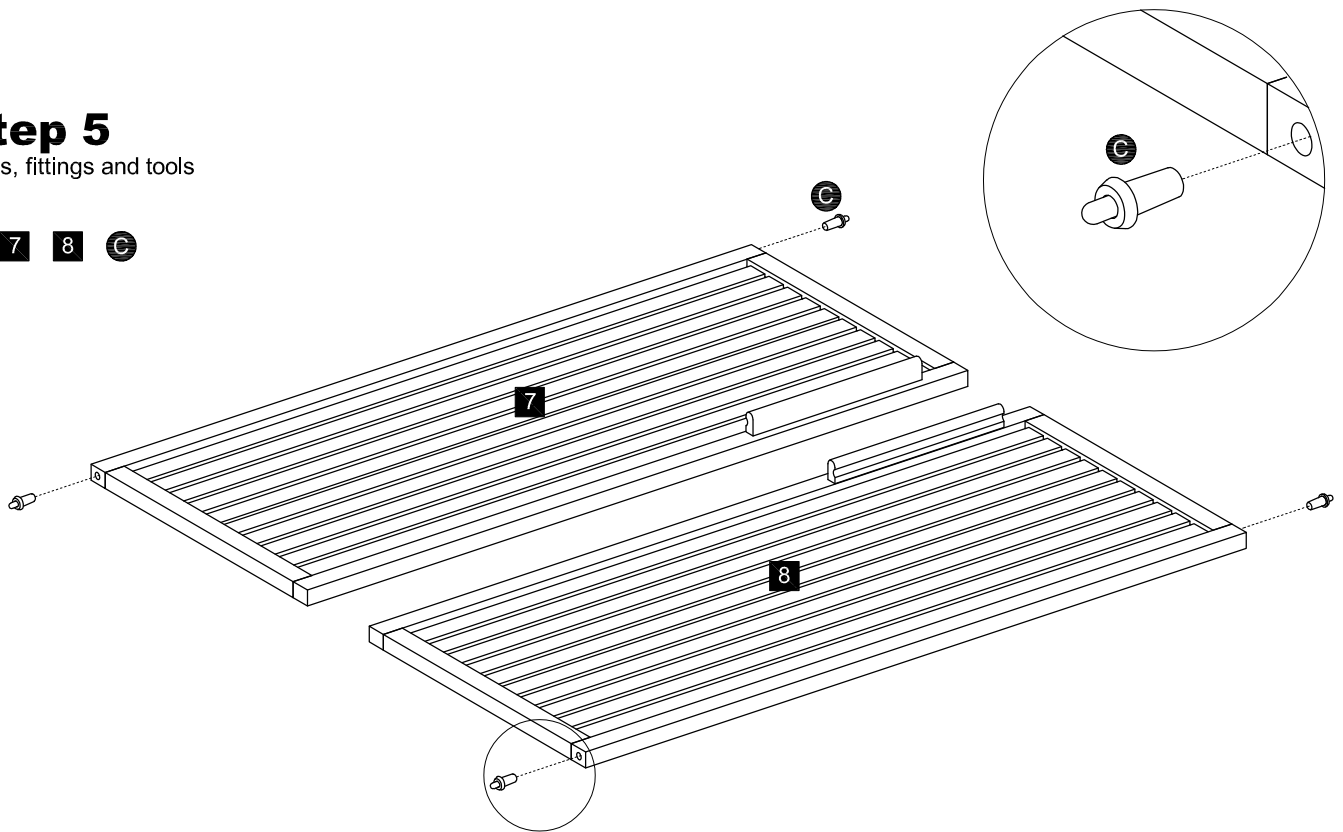
1 2 3 6 B



Step 5

Parts, fittings and tools

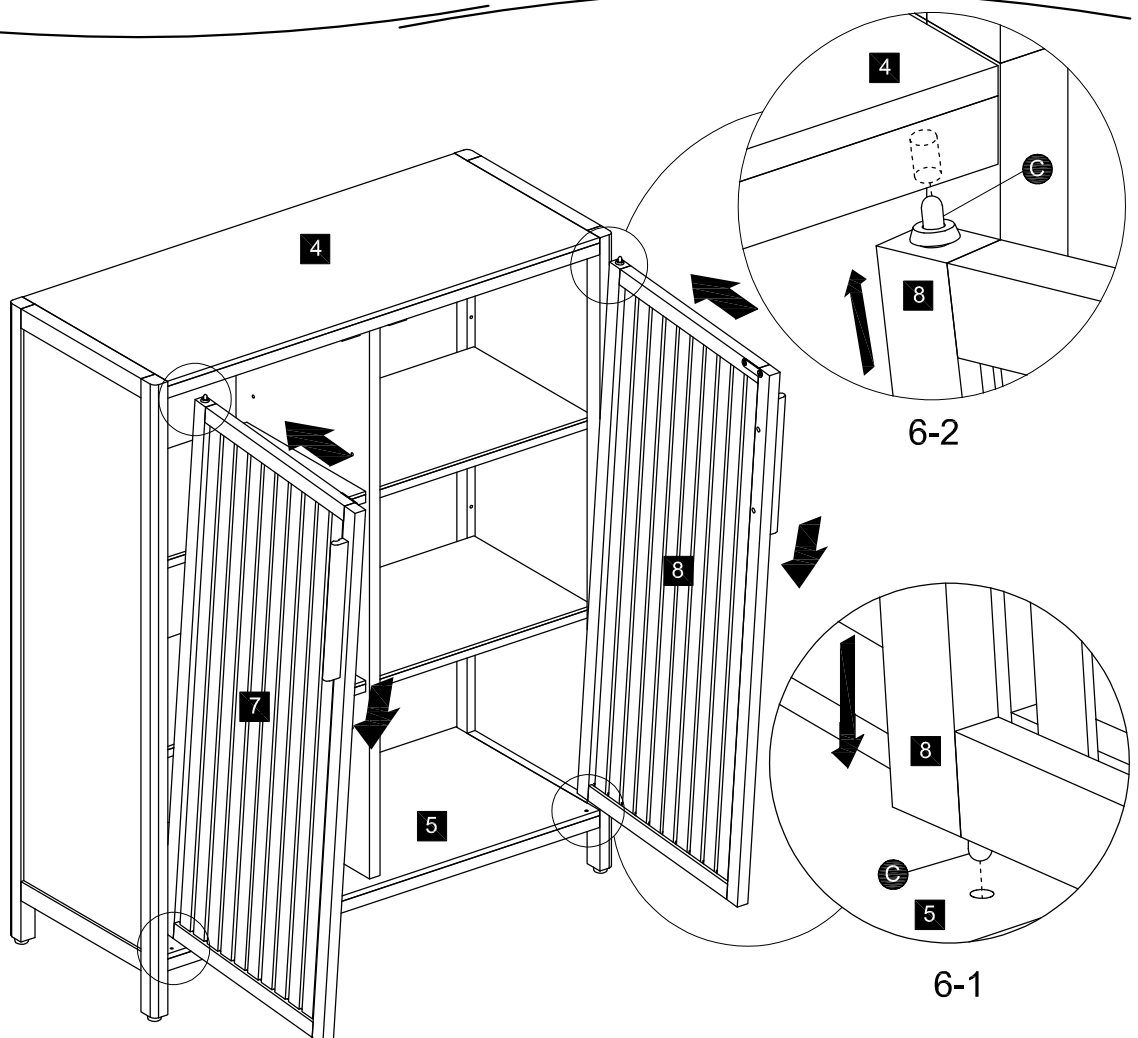
7 8 C



Step 6

Parts, fittings and tools

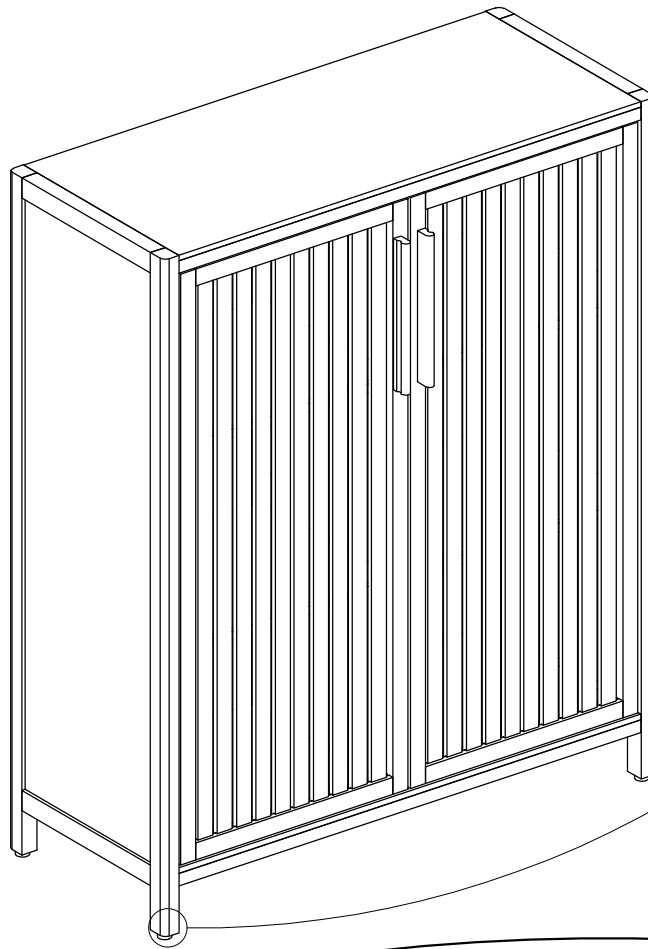
4 5 7 8



Step 7

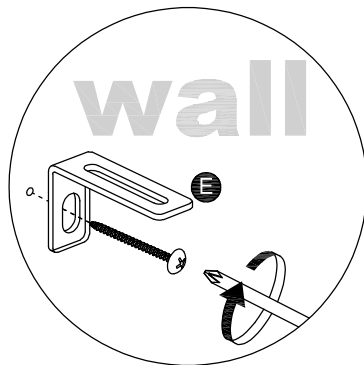
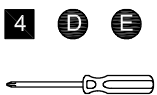
Parts, fittings and tools

Use adjustable leveler if necessary.



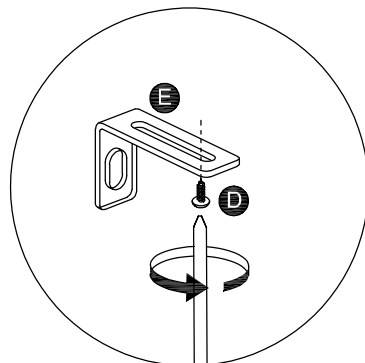
Step 8

Parts, fittings and tools



8-1

PLEASE NOTE: For your safety, to prevent the danger of this unit tipping over, it is important to attach the "L" shaped bracket to the wall using the correct wall fixing.



8-2

