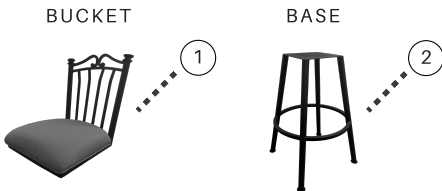


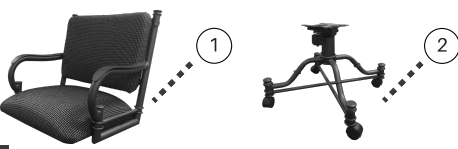
STOOL/TILT SWIVEL ASSEMBLY (EASY TWO-STEP PROCESS)

** HARDWARE FOUND UNDER SEAT **

PLEASE LOOK AT INSTRUCTIONS ON DIAGRAM 1.1 BELOW FOR SWIVEL STOOL ASSEMBLY



PLEASE LOOK AT INSTRUCTIONS ON DIAGRAM 1.2 BELOW FOR TILT SWIVEL STOOL/DINING CHAIR ASSEMBLY



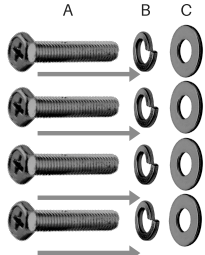
OR

(PICTURED BUCKET AND BASE RESEMBLES ALL STYLES WHEN ASSEMBLING)

ITEM	DESCRIPTION	QTY
A	BOLT	4
B	WASHER 1	4
C	WASHER 2	4

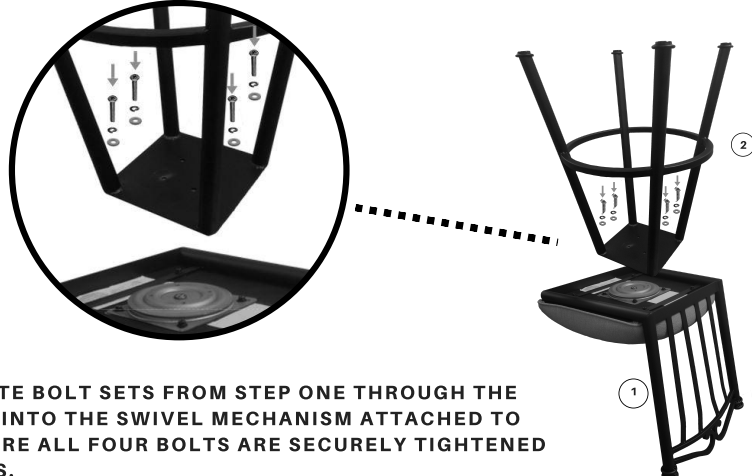
DIAGRAM 1.1

1



INSERT BOLT (A) INTO WASHER 1 (B) AND WASHER 2 (C). REPEAT THIS STEP TO MAKE FOUR SETS.

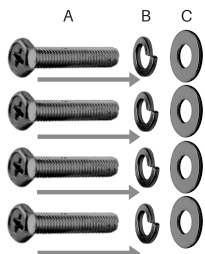
2



INSERT FOUR COMPLETE BOLT SETS FROM STEP ONE THROUGH THE BOTTOM OF THE BASE INTO THE SWIVEL MECHANISM ATTACHED TO THE BUCKET. MAKE SURE ALL FOUR BOLTS ARE SECURELY TIGHTENED BEFORE USING STOOLS.

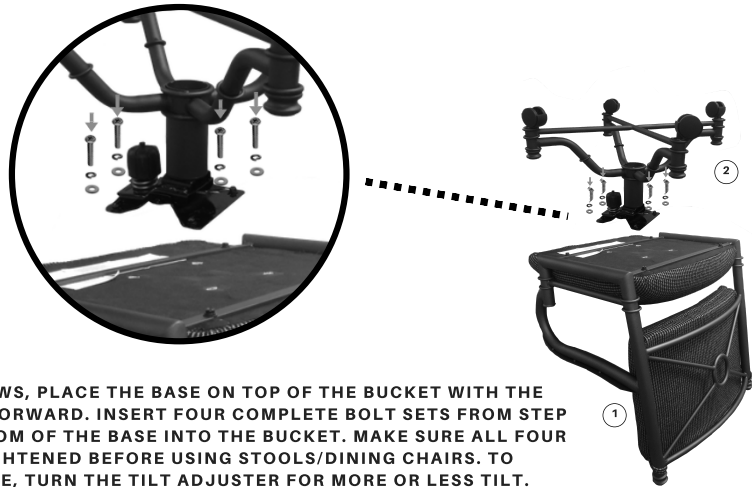
DIAGRAM 1.2

1



INSERT BOLT (A) INTO WASHER 1 (B) AND WASHER 2 (C). REPEAT THIS STEP TO MAKE FOUR SETS.

2



BEFORE INSERTING SCREWS, PLACE THE BASE ON TOP OF THE BUCKET WITH THE TILT ADJUSTER FACING FORWARD. INSERT FOUR COMPLETE BOLT SETS FROM STEP ONE THROUGH THE BOTTOM OF THE BASE INTO THE BUCKET. MAKE SURE ALL FOUR BOLTS ARE SECURELY TIGHTENED BEFORE USING STOOLS/DINING CHAIRS. TO ADJUST THE TILT FEATURE, TURN THE TILT ADJUSTER FOR MORE OR LESS TILT.