



User Manual Microwave

Manuel D'utilisateur Micro-onde

MODEL | MODÈLE:
CHM11MB, CHM11MW, CHM11MS

CONTENTS

SAFETY INFORMATION

Precautions to Avoid Possible Exposure to Excessive Microwave Energy.....	4
A Special Note on Arcing	4
Addendum.....	4
Important Safety Instructions	5
Grounding Instructions.....	7
Utensil Guide for the Microwave.....	8-9

SET UP & USE

Specifications.....	10
Installation Guide	10
Parts & Features	11
Control Panel and Features.....	11
Operation.....	12-17

CLEANING & CARE.....	18
---------------------------------	-----------

TROUBLESHOOTING & WARRANTY

Before You Call For Service	19
Customer Service.....	19
Troubleshooting	20
Limited Warranty.....	21

1. READ these instructions carefully before installing and operating the appliance. Keep them for further reference.
2. Record in the space below the "SERIAL/MODEL NUMBER" found on the back or bottom of your appliance and retain this information for future reference.

SERIAL NUMBER:

MODEL NUMBER:

DATE OF PURCHASE:

Save and staple your sales receipt to your manual for warranty coverage.

SAFETY INFORMATION

DANGER

DANGER - Immediate hazards which **WILL** result in severe personal injury or death

WARNING

WARNING - Hazards or unsafe practices which **COULD** result in severe personal injury or death

CAUTION

CAUTION - Hazards or unsafe practices which **COULD** result in minor personal injury

PRECAUTIONS TO AVOID POSSIBLE EXPOSURE TO EXCESSIVE MICROWAVE ENERGY

1. Do not attempt to operate this oven with the door open since open-door operation can result in harmful exposure to microwave energy. It is important not to tamper with the safety interlocks.
2. Do not place any object between the oven front face and the door or allow soil or cleaner residue to accumulate on sealing surfaces.
3. Do not operate the oven if damaged. It is particularly important that the oven door closes properly and that there is no damage to the:
 1. DOOR (bent)
 2. HINGES AND LATCHES (broken or loosened)
 3. DOOR SEALS AND SEALING SURFACES
4. The oven should not be adjusted or repaired by anyone except properly qualified service personnel.

A SPECIAL NOTE ON ARCING

“Arcing” refers to the presence of sparks inside the microwave oven.

It can be caused by:

- Metal or foil touching the inside walls of the oven.
- Foil not closely molded to food, where edges have been left sticking up.
- Small metal parts such as twist-ties, poultry pins, or gold-rimmed dishes.
- Recycled paper towels which may contain small amounts of metal.

CAUTION

IF YOU SEE SPARKS IN YOUR MICROWAVE OVEN, IMMEDIATELY TURN TIMER TO OFF, CEASE COOKING AND CORRECT THE PROBLEM.

ADDENDUM

If this product is not maintained in a good state of cleanliness, its surface could be degraded. This could affect the lifespan of the product and lead to a dangerous situation.

SAFETY INFORMATION

IMPORTANT SAFETY INSTRUCTIONS

WARNING

When using electrical appliances, basic safety precautions should be followed, including the following
WARNING: To reduce the risk of burns, electric shock, fire, and injury to persons or exposure to excessive microwave energy:

1. Read all instructions before using the appliance.
2. Read carefully and follow the specific **“Precautions to avoid possible exposure to excessive microwave energy”**
3. This appliance must be grounded. Connect only to properly grounded outlet. See “GROUNDING INSTRUCTIONS”
4. Install or position this appliance only in accordance with the provided installation instructions
5. Some products such as whole eggs and sealed containers -for example, closed glass jars- can potentially explode and should not be heated in this oven.
6. Use this appliance only for the intended uses as described in this manual. This type of oven is specifically designed to heat, cook, or dry food. It is not designed for industrial or laboratory use. Do not use corrosive chemicals or vapors in this appliance.
7. As with any appliance, close supervision is necessary when used by children.
8. To reduce the risk of fire in the oven cavity;
 - Do not overcook food. Carefully tend to the appliance when paper, plastic, or other combustible materials are placed inside the oven to facilitate cooking.
 - Remove wire twist-ties from paper or plastic bags before placing bag in oven.
 - If materials inside the oven ignite, keep oven door closed, turn oven off, and disconnect the power cord or shut off power at the fuse or circuit breaker panel.
 - Do not use the cavity for storage purposes. Do not leave paper products, cooking utensils or food inside the cavity when not in use.
9. Liquids, such as water, coffee, or tea can be overheated beyond the boiling point without appearing to be boiling due to surface tension of the liquid. Visible bubbling or boiling when the container is removed from the microwave oven is not always present. **This could result in very hot liquids suddenly boiling over when a spoon or other utensil is inserted into the liquid.**
10. Do not heat oil or fat for deep-frying. It is difficult to control the temperature of oil in a microwave oven.
11. Foods with heavy skins such as potatoes, whole squash, apples and chestnuts should be pierced with a fork or the tip of a sharp knife before cooking.

SAFETY INFORMATION

12. The contents of feeding bottles and baby food jars should be stirred or shaken and the temperature should be checked before serving in order to avoid burns.
13. Cooking utensils may become hot because of heat transferred from the heated food. Pot holders may be needed to handle the utensil.
14. Do not cover or block any openings on the appliance.
15. Do not store or use this appliance outdoors. Do not use this product near water, for example, near a kitchen sink, in a wet basement, near a swimming pool, or similar locations.
16. Do not operate this appliance if the cord or plug is damaged, if it is not working properly, or if it has been damaged or dropped.
17. Do not immerse cord or plug in water. Keep cord away from heated surfaces. Do not let cord hang over the edge of a table or counter.
18. Use only thermometers, specifically designed for use in microwave ovens.
19. Be certain the glass tray and roller rings are in place before operating the oven.
20. This appliance should be serviced only by qualified service personnel. Contact nearest authorized service facility for examination, repair, or adjustment.
21. When cleaning sealing surfaces of the oven, such as the door jamb, use only mild, nonabrasive soaps, or mild detergents applied with a sponge or soft cloth.

SAVE THESE INSTRUCTIONS HOUSEHOLD USE ONLY

FEDERAL COMMUNICATIONS COMMISSION RADIO FREQUENCY INTERFERENCE STATEMENT

WARNING: This equipment generates and uses ISM frequency energy and if not installed and used properly, that is in strict accordance with the manufacturer's instructions, may cause interference to radio and television reception. It has been type-tested and found to comply with limits for an ISM Equipment pursuant to part 18 of FCC Rules, which are designed to provide reasonable protection against such interference in a residential installation. However, there is no guarantee that interference will not occur in a particular installation. If this equipment does cause interference to radio or television reception, which can be determined by turning the equipment off and on, the user is encouraged to try to correct the interference by one or more of the following:

- Reorient the receiving antenna of radio or television.
- Relocate the Microwave oven with respect to the receiver.
- Move the microwave oven away from the receiver.
- Plug the microwave oven into a different outlet so that microwave oven and receiver are on different branch circuits.

THE MANUFACTURER is not responsible for any radio or TV interference caused by UNAUTHORIZED MODIFICATION to this microwave oven. It is the responsibility of the user to correct such interference.

SAFETY INFORMATION

GROUNDING INSTRUCTIONS

ELECTRICAL REQUIREMENTS

The electrical requirements are a 120 volt 60 Hz, AC only, 20 amp. It is recommended that a separate circuit serving only the oven be provided. The oven is equipped with a 3-wire cord having a 3-prong grounding plug. It must be plugged into a wall receptacle that is properly installed and grounded.

This appliance must be grounded. In the event of an electrical short circuit, grounding reduces risk of electric shock by providing an escape wire for the electric current. The cord provided with this appliance is equipped with a grounding wire and a grounding plug. The plug must be plugged into an outlet that is properly installed and grounded. Do not attempt to tamper with this safety feature by modifying the plug in any way.

WARNING

Improper use of the grounding plug can result in a risk of electric shock.

Consult a qualified electrician or serviceman if:

- 1) The grounding instructions are not completely understood.
- 2) You are unsure that the appliance is properly grounded.
- 3) You have any questions about the grounding or electrical instructions.

POWER SUPPLY CORD

1. A short power supply cord is provided to reduce the risk of becoming entangled in or tripping over a longer cord.
2. If the power supply cord is too short, do not use an extension cord. Have a qualified electrician or serviceman install an outlet near the appliance.
3. If it is absolutely necessary to use longer cord sets or an extension cord, extreme care must be exercised.
 - a) Use only a grounding type 3-wire extension cord that has a 3-blade grounding plug and a 3-slot receptacle that will accept the plug on the appliance.
 - b) The marked electrical rating of the cord set or extension cord must equal to or greater than the electrical rating of the appliance. The longer cord should be arranged so that it will not drape over the counter top or table top where it can be pulled on by children or tripped over unintentionally.

NOTE: Neither Commercial Chef nor the dealer can accept any liability for damage to the oven or personal injury resulting from failure to observe the electrical connection procedures.

SAFETY INFORMATION

UTENSIL GUIDE FOR THE MICROWAVE

This section lists which utensils can be used in the microwave, which have limited use, and which should not be used in the microwave at all.

CAN USE	CAN NOT USE	LIMITED USE
<ul style="list-style-type: none">• Microwave browning dish: For browning the exterior of food such as steaks, chops, or pancakes. Follow the directions provided with your browning dish.• Microwaveable plastic wrap: For retaining steam. Leave a small opening for some steam to escape. Avoid placing it directly on the food.• Paper towels and napkins: To absorb excess moisture and prevent splattering. Use for short-term heating and covering. Check for manufacturer's labels for any special instructions.• Oven-proof glass, glass-ceramic bowls and dishes: For use in the microwave oven.• Paper plates and cups: For short-term heating at low temperatures. Do not use recycled paper, which may contain metal and could ignite. <p>NOTE: Recycled paper may contain metal which could ignite so please be careful.</p>	<ul style="list-style-type: none">• Glass jars and bottles: Regular glass is too thin to be used in a microwave. It can shatter, causing damage and injury.• Paper bags: These are a fire hazard, they can absorb heat and burn. Only use popcorn bags that are designed for microwave use.• Styrofoam plates and cups: These can melt and leave a harmful chemical residue on food.• Plastic storage and food containers: Containers meant for cold storage, such as margarine tubs, can melt in the microwave.• Metal utensils: These can damage your microwave oven. Remove all metal from food and containers before cooking.• Parchment paper: Use as a cover to prevent splattering or as a wrap for steaming.	<ul style="list-style-type: none">• Aluminum foil: Smooth, narrow strips of foil may be used to shield delicate areas on food items like drumsticks and wings to prevent overcooking. Keep all aluminum foil at least 1 inch from the side walls and the door of the microwave. <p>NOTE: Using too much foil can damage your oven.</p> <ul style="list-style-type: none">• Ceramic, porcelain, and stoneware: Only if they are labelled "Microwave Safe". If they are not labelled, test them to make sure they can be used safely.• Plastic: Use only if labelled "Microwave Safe". Use with care because the plastic can soften from the heat of the food and some plastic can melt.

SAFETY INFORMATION

CAN USE

- **Wax paper:** To prevent spattering.
- **Thermometers:** Only those labelled "Microwave Safe" and follow all directions. Check the temperature of food in several places. Conventional thermometers may be used on microwaved food once the food has been removed from the oven.

CAN NOT USE

- **Aluminum tray:** May cause arcing. Avoid aluminum foil this may cause arcing.
- **Take-out carton with metal handle:** May cause arcing. Transfer food to a microwave-safe container.
- **Metal or metal-trimmed utensils:** Metal cookware, metal trim, and metallic glazes may cause arcing. Also avoid metal skewers and metal twisties.
- **Wood:** Wood will dry out when used in the microwave oven and may split or crack. Wooden bowls, baskets and board will dry out and may split or crack when used in the microwave.
- **Recycled paper towels, paper plates and cups:** May contain metal and could ignite.

NOTE: To test if a dish is safe for microwaving, place the empty dish in the oven and microwave on HIGH for 30 seconds. A dish which becomes very hot should not be used.

LIMITED USE

- **Straw, wicker, and wood:** For short-term heating, such as warming dinner rolls for a few seconds. Baskets and bowls may be flammable.

SET UP & USE

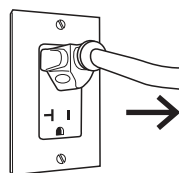
SPECIFICATIONS

- Power Consumption: 120V-60Hz, 1500W
- MWO Power: 1000W
- Operation Frequency: 2450MHz
- Outside Dimensions (H x W x D): 12.1" x 20.2" x 15.7" for all
- Oven Cavity Dimensions (H x W x D): 9.1" x 14.5" x 13.9" for all
- Oven Capacity: 1.1 cubic feet
- Net Weight: Approx. 30.9 lbs.

INSTALLATION GUIDE

1. Make sure that all the packing materials are removed from the inside of the door.
2. Check the oven for any damage, such as misaligned or bent door, damaged door seals and sealing surfaces, broken or loose door hinges and latches, and dents inside the cavity or on the door. If there is any damage, do not operate the oven. Contact qualified service personnel.
3. This microwave oven must be placed on a flat, stable surface capable of supporting the weight of the oven plus the heaviest food likely to be cooked in the oven.
4. Do not place the oven where heat, moisture, or high humidity are generated, or near combustible materials.
5. To function correctly, the oven must have sufficient airflow on all sides. Allow 8" of space above the oven, 4" at back, and 2" at both sides. Do not cover or block any openings on the appliance. Do not remove feet on which oven stands.
6. Do not operate the oven without glass tray, roller support, and shaft in their proper positions.
7. Make sure that the power supply cord is undamaged and does not run under the oven or over any hot or sharp surface.
8. The socket must be readily accessible so that the cord can be quickly reached and easily unplugged in an emergency.

NOTE: Do not remove the mica plate covering the wave guide in the oven cavity.



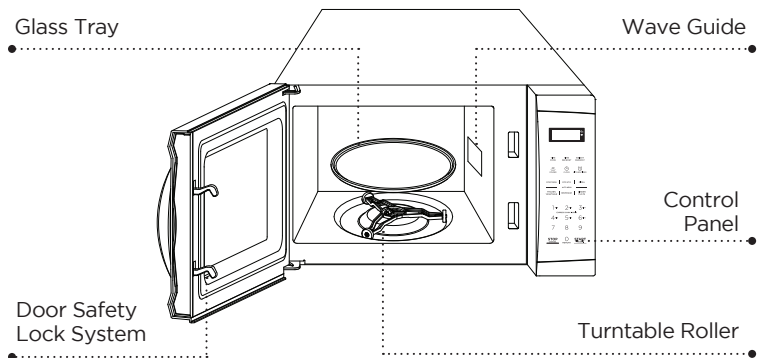
RADIO OR TV INTERFERENCE

If the microwave oven causes interference to your radio or TV.

1. Check that the microwave oven is on a different circuit
2. Relocate the radio or TV as far away from the oven as possible
3. Check position and signal of receiving antenna.
4. Clean door and sealing surface.
5. Move the microwave oven far away from the receiver.

SET UP & USE

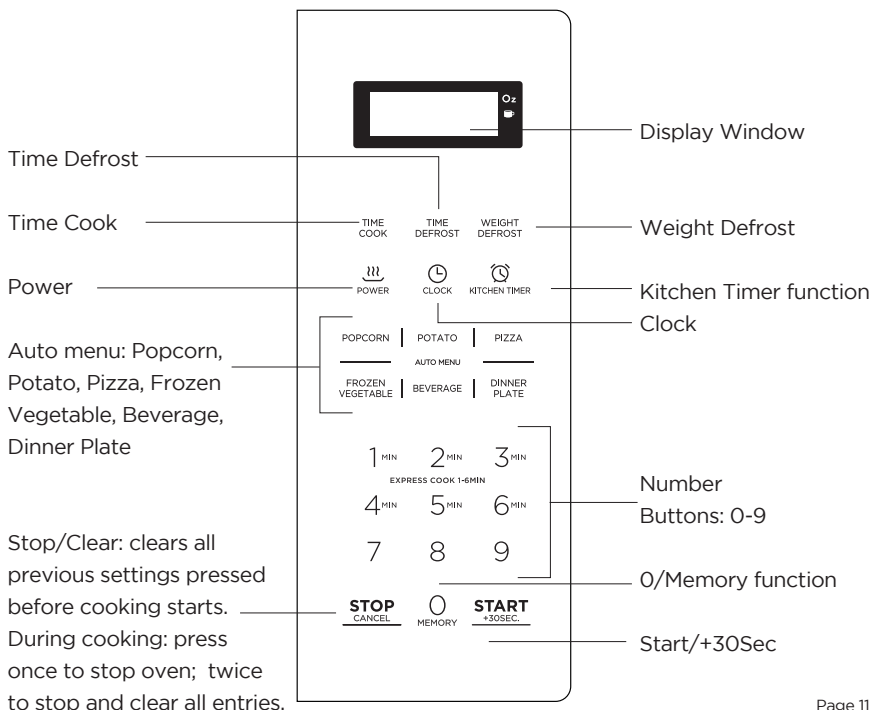
PARTS & FEATURES



NOTE: Do not remove the mica plate covering the wave guide in the oven cavity.

- A. Never place the glass tray upside down. The glass tray should never be restricted.
- B. Both glass tray and turntable ring assembly must always be used during cooking.
- C. All food and containers of food are always placed on the glass tray for cooking.

CONTROL PANEL AND FEATURES



SET UP & USE

OPERATION

1. Power Level

The following power levels are available.

Level	10	9	8	7	6	5	4	3	2	1
Power	100%	90%	80%	70%	60%	50%	40%	30%	20%	10%
Display	PL10	PL9	PL8	PL7	PL6	PL5	PL4	PL3	PL2	PL1

2. Clock Setting

(1) Press "CLOCK", "00:00" will display.



(2) Press the number keys and enter the current time. For example, to set the clock to 10:12, press "1, 0, 1, 2".



(3) Press "CLOCK" to finish clock setting. ":" will flash and the clock will be lit.

(4) If the numbers are not within the range of 1:00-12:59, the setting will be invalid until valid numbers are input.

NOTE: (1) In the process of clock setting, if the "STOP/CLEAR" button is pressed or if there is no operation selected within 1 minute, the oven will go back to the previous setting automatically.

(2) If the clock needs to be reset, repeat steps 1- 3.



3. Kitchen Timer

(1) Press "KITCHEN TIMER", display will show "00:00", the first hour figure flashes.

(2) Press the number keys and enter the timer time. (The maximum cooking time is 99 minutes and 99 seconds.)

(3) Press "START/+30SEC." to confirm setting.

(4) When the timer time is complete, the buzzer will beep 5 times.
If the clock is set, the LED will display the current time.

NOTE: 1) The kitchen time is a timer and will not display the "Clock".

2) When using the kitchen timer, no other program can be set.

4. Microwave cook

(1) Press "TIME COOK" once, the display will show "00:00".



(2) Press number keys to input the cooking time; the maximum cooking time is 99 minutes and 99 seconds.

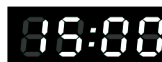
(3) Press "POWER" once, the display will show "PL10". The default power is 100% power. Now you can press number keys to adjust the power level.

(4) Press "START/+30SEC." to start cooking.

SET UP & USE

Example: To cook the food with 50% microwave power for 15 minutes.

- Press "TIME COOK" once. "00:00" displays.
- Press "1", "5", "0", "0" in order.
- Press "POWER" once, then press "5" to select 50% microwave power.
- Press "START/+30SEC." to start cooking.



NOTE:

- In the process of setting, if the "STOP/CLEAR" button is pressed or no operation within 1 minute, the oven will go back to the previous setting automatically.
- If "PLO" is selected, the oven will work with fan only and no power.
- During microwave cooking, "POWER" can be pressed to change the power you need. After pressing "POWER", the current power will light for 3 seconds, now you can press number button to change the power. The oven will work with the selected power for the rest of the cooking time.

5. Express Cook

- If not already cooking, press number pads 1-6 to quickly cook from 1-6 minutes at 100% power. Press "START/+30SEC" to increase the cooking time; the maximum cooking time is 99 minutes and 99 seconds.
- To cook for 30 seconds at 100% power, press "START/+30SEC". Each press on the same button will increase cooking time by 30 seconds. The maximum cooking time is 99 minutes and 99 seconds.

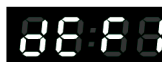
NOTE: During microwave cooking and time defrost, time can be added by pressing "START/30SEC." button.

6. Weight Defrost Function

- Press "WEIGHT DEFROST", LED will display "dEF1".
- Press number buttons to input weight to be defrosted.

The weight must be between 4 oz and 100 oz.

- Press "START/+30SEC." to start defrosting and the cooking time remaining will be displayed.



7. Time Defrost Function

- Press "TIME DEFROST", the display will show "dEF2".
- Press number pads to input defrosting time. The effective time range is 0:01-99:99.
- The default microwave power is power level 3. If you want to change the power level, press "POWER" once, and the display will show "PL 3", then press the number pad of the power level you wanted.
- Press "START/+30SEC." to start defrosting. The remaining cooking time will be displayed.



SET UP & USE

8. POPCORN

- (1) Press "POPCORN" repeatedly until the package size of your popcorn appears in the display, "1.75", "3.0", "3.5" Oz will display in order.

For example, press "POPCORN" once, "1.75" appears.



- (2) Press "START/+30 SEC." to cook, buzzer sounds once. When cooking is finished, buzzer will sound five times.

9. POTATO

- (1) Press "POTATO" repeatedly until the number you require appears in the display, "1", "2", "3" will display in order.

"1": 1 potato (approximate 8 oz)

"2": 2 potatoes (approximate 16 oz)

"3": 3 potatoes (approximate 24 oz)

For example, press "POTATO" once, "1" appears.



- (2) Press "START/+30 SEC." to cook, buzzer sounds once. When cooking is finished, a buzzer sounds five times.

10. FROZEN VEGETABLE

- (1) Press "FROZEN VEGETABLE" repeatedly until the package size of your vegetables appears in the display, "4.0", "8.0", "16.0" oz will display in order.

For example, press "FROZEN VEGETABLE" once, "4.0" appears.



- (2) Press "START/+30 SEC." to cook, buzzer sounds once. When cooking is finished, a buzzer sounds five times.

11. BEVERAGE

- (1) Press "BEVERAGE" repeatedly until the number you require appears in the display, "1", "2", "3" cup will display in order.

For example, press "BEVERAGE" once, "1" appears.



- (2) Press "START/+30 SEC." to cook, buzzer sounds once. When cooking is finished, a buzzer sounds five times.

12. DINNER PLATE

- (1) Press "DINNER PLATE" repeatedly until the number you require appears in the display, "9.0", "12.0", "18.0" oz will display in order.

For example, press "DINNER PLATE" once, "9.0" appears.



- (2) Press "START/+30 SEC." to cook, buzzer sounds once. When cooking is finished, a buzzer sounds five times.

SET UP & USE

13. PIZZA (Reheat)

(1) Press "PIZZA" repeatedly until the weight of your pizza appears in the display, "4.0", "8.0", "14.0" oz will display in order.

For example, press "PIZZA" once, "4.0" appears.



(2) Press "START/+30 SEC." to cook, buzzer sounds once. When cooking is finished, a buzzer sounds five times.

14. MEMORY FUNCTION

(1) Press "0/MEMORY" to choose memory 1-3. The display will show 1, 2, 3.

(2) If the setting has been programmed, press "START/ +30 SEC." to use it. If not, continue to choose the setting. Only one or two stages can be set.

(3) After finishing the setting, press "START/ +30 SEC." once to save the setting. Press "START/ +30 SEC." again, it will start cooking.

Example: To program the following setting as the second memory to cook food with 80% microwave power for 3 minutes and 20 seconds.

The steps are as follows:

A. In waiting state, press "0/MEMORY" twice, the screen displays "2".

B. Press "TIME COOK" once, then press "3", "2", "0" in order.

C. Press "POWER" once, "PL10" displays, then press "8" and "PL8" displays.

D. Press "START/ +30 SEC." to save the setting. Buzzer sounds once and the LED will display "2". If you press "START/+30SEC." again, the setting will be saved as memory 2 and it will start cooking.

E. If power is lost, the "0/MEMORY" setting will need to be reprogrammed.

F. If you want to run the saved setting, in waiting state, press "0/MEMORY" twice, screen displays "2", then press "START/+30SEC." to run.

15. MULTI-STAGE COOKING

At most 2 stages can be set for cooking. In multi-stage cooking, if one stage is defrosting, then defrosting shall be placed at the first stage automatically.

NOTE: Auto cooking cannot work in the multi-stage cooking.

Example: If you want to cook with 80% microwave power for 5 minutes + 60% microwave power for 10 minutes. The cooking steps are as following:

(1) Press "TIME COOK" once, then press "5", "0", "0" to set the cooking time;

(2) Press "POWER" once, then press "8" to select 80% microwave power.

(3) Press "TIME COOK" once, then press "1", "0", "0", "0" to set the cooking time;

(4) Press "POWER" once, then press "6" to select 60% microwave power.


(5) Press "START/ +30 SEC." to start cooking.

SET UP & USE

16. INQUIRING FUNCTION

- (1) In microwave or multi-stage cooking state, press "CLOCK", the display will show the clock for three seconds.
- (2) In the microwave or multi-stage cooking, press "POWER" to inquire microwave power level, and the current microwave power will be displayed. After three seconds, the oven will turn back to the previous state.

17. CHILD LOCK FUNCTION

Lock: In waiting state, press "STOP/CANCEL" for 3 seconds, there will be a long "beep" denoting the entering into the children-lock state; meanwhile, the display will show "".

Turn Off Child Lock: In locked state, press "STOP/CANCEL" for 3 seconds, there will be a long "beep" denoting that lock is released.

18. COOKING END REMINDING FUNCTION

When the cooking is completed, the buzzer will sound 5 "beep" to alert user the cooking is finished.

19. OTHER SPECIFICATIONS

- (1) In standby state, if the set digital clock displays current time, the icon ":" would flash; otherwise, it shows "0:00".
- (2) In setting function state, LED displays corresponding setting.
- (3) In working or pause state, LED displays surplus cooking time.

SET UP & USE

COOKING TECHNIQUES

Your microwave makes cooking easier than conventional cooking, provided you keep these considerations in mind:

STIRRING

Stir foods such as casseroles and vegetables while cooking to distribute heat evenly. Food at the outside of the dish absorbs more energy and heats more quickly, so stir from the outside to the center. The oven will turn off when you open the door to stir your food.

ARRANGEMENT

Arrange unevenly shaped foods, such as chicken pieces or chops, with the thicker, meatier parts toward the outside of the turntable where they receive more microwave energy. To prevent overcooking, place delicate areas, such as asparagus tips, toward the center of the turntable.

SHIELDING

Shield food with narrow strips of aluminium foil to prevent overcooking. Areas that need shielding include poultry wing-tips, the ends of poultry legs, and corners of square baking dishes. Use only small amounts of aluminium foil. Larger amounts can damage your oven.

TURNING

Turn foods over midway through cooking to expose all parts to microwave energy. This is especially important with large foods such as roasts.

STANDING

Foods cooked in the microwave build up internal heat and continue to cook for a few minutes after heating stops. Let foods stand to complete cooking, especially foods such as cakes and whole vegetables. Roasts need this time to complete cooking in the center without overcooking the outer areas. All liquids, such as soup or hot chocolate, should be shaken or stirred when cooking is complete. Let liquids stand a moment before serving. When heating baby food, stir well at removal and test the temperature before serving.

ADDING MOISTURE

Microwave energy is attracted to water molecules. Food that is uneven in moisture content should be covered or allowed to stand so that the heat disperses evenly. Add a small amount of water to dry food to help it cook.

CLEANING & CARE

1. When cleaning surfaces of door and oven use only mild, nonabrasive soaps, or detergents and apply with a sponge or soft cloth.
2. Turn off the oven and remove the power plug from the wall socket before cleaning.
3. Keep the inside of the oven clean. When food splatters or spilled liquids adhere to oven walls, wipe with a damp cloth. Mild detergent may be used if the oven gets very dirty. Avoid the use of spray and other harsh cleaners as they may stain, streak or dull the door surface.
4. The outside surfaces should be cleaned with a damp cloth. To prevent damage to the operating parts inside the oven, water should not be allowed to sweep into the ventilation openings.
5. Wipe the window on both sides with a damp cloth to remove any spills or splatters.
6. Do not allow the control panel to become wet. Clean with a soft, damp cloth. When cleaning the control panel, leave oven door open to prevent oven from accidentally turning on.
7. If steam accumulates inside or around the outside of the oven door, wipe with a soft cloth. This may occur when the microwave oven is operated under high humidity conditions, this is normal.
8. It is occasionally necessary to remove the glass tray for cleaning. Wash the tray in warm sudsy water or in a dishwasher.
9. The roller ring and oven floor should be cleaned regularly to avoid excessive noise. Simply wipe the bottom surface of the oven with mild detergent. The roller ring may be washed in mild sudsy water or dishwasher. When removing the roller ring from cavity floor for cleaning, be sure to replace in the proper position.
10. Remove odors from your oven by combining a cup of water with the juice and skin of one lemon in a deep bowl, microwave for 5 minutes. Wipe thoroughly and dry with a soft cloth.
11. When it becomes necessary to replace the oven light, please consult a dealer to have it replaced.
12. Please do not dispose of this appliance into the domestic rubbish bin; it should be disposed to the particular disposal center provided by the municipalities.
13. Do not operate this unit when empty.

TROUBLESHOOTING & WARRANTY

BEFORE YOU CALL FOR SERVICE

IF THE OVEN FAILS TO OPERATE:

- A) Check to make sure that the oven is plugged in securely. If it is not, remove the plug from the outlet, wait 10 seconds and plug it in again securely.
- B) Check for a blown circuit fuse or a tripped main circuit breaker. If these seem to be operating properly, test the outlet with another appliance.
- C) Check to make sure the control panel is programmed correctly and the timer is set.
- D) Check to ensure that the door is securely closed engaging the door safety lock system. Otherwise, the microwave energy will not flow into the oven.

IF NONE OF THE ABOVE SOLVES THE PROBLEM, CONTACT A QUALIFIED TECHNICIAN. DO NOT TRY TO ADJUST OR REPAIR THE OVEN YOURSELF.

CUSTOMER SERVICE

IMPORTANT

DO NOT RETURN THIS PRODUCT TO THE STORE

If you have a problem with this product, please contact the W Appliance Co. Customer Satisfaction Center at 1-855-855-0294.

**DATED PROOF OF PURCHASE, MODEL # AND SERIAL #
REQUIRED FOR WARRANTY SERVICE**

TROUBLESHOOTING & WARRANTY

TROUBLESHOOTING

Troubleshoot your problem by using the chart below. If the microwave oven still does not work properly, contact W Appliance Co. customer service center or the nearest authorized service center. Customers must never troubleshoot internal components. Microwaves hold dangerous voltage (5000V) even after power is removed. Only a certified technician should attempt Microwave repair.

TROUBLE	POSSIBLE CAUSE	POSSIBLE REMEDY
Oven will not start	<ul style="list-style-type: none"> A. Electrical cord for oven is not plugged in. B. Door is open. C. Wrong operation is set. 	<ul style="list-style-type: none"> A. Plug into the outlet. B. Close the door and try again. C. Check instructions.
Arcing or sparking	<ul style="list-style-type: none"> A. Materials to be avoided in microwave oven, such as metal, were used. B. The oven is operated when empty. C. Spilled food remains in the cavity. 	<ul style="list-style-type: none"> A. Use microwave-safe cookware only. B. Do not operate with oven empty. C. Clean cavity with wet towel.
Unevenly cooked foods	<ul style="list-style-type: none"> A. Materials to be avoided in microwave oven were used. B. Food is not defrosted completely. C. Cooking time, power level is not suitable. D. Food is not turned or stirred. 	<ul style="list-style-type: none"> A. Use microwave-safe cookware only. B. Completely defrost food. C. Use correct cooking time, power level. D. Turn or stir food.
Overcooked foods	<ul style="list-style-type: none"> Cooking time, power level is not suitable. 	<ul style="list-style-type: none"> Use correct cooking time and power level.
Under cooked foods	<ul style="list-style-type: none"> A. Materials to be avoided in microwave oven were used. B. Food is not defrosted completely. C. Oven ventilation ports are restricted. D. Cooking time, power level is not suitable. 	<ul style="list-style-type: none"> A. Use microwave-safe cookware only. B. Completely defrost food. C. Check to see that oven ventilation ports are not restricted. D. Use correct cooking time and power level.
Improper defrosting	<ul style="list-style-type: none"> A. Materials to be avoided in microwave oven were used. B. Cooking time, power level is not suitable. C. Food is not turned or stirred. 	<ul style="list-style-type: none"> A. Use microwave-safe cookware only. B. Use correct cooking time and power level. C. Turn or stir food.

TROUBLESHOOTING & WARRANTY

LIMITED WARRANTY

Commercial Chef brand is used under license. Any repair, replacement, or warranty service, and all questions about this product should be directed to W Appliance Co. at **1 (855) 855-0294** from the USA or Puerto Rico.

W Appliance Co. warrants to the original purchaser that the product will be free from defects in material, parts and workmanship for the period designated for this product. The warranty commences the day the product is purchased and covers up to a period of **1 year (12 months) for labor/1 year (12 months) for parts (manufacturing defects only)/5 years (60 months) magnetron tube for microwave (part only)**.

W Appliance Co. agrees that it will, at its option, replace the defective product with either a new or remanufactured microwave equivalent to your original purchase during the warranty period. Should the Part warranty period exceed the Labor warranty period, W Appliance Co. will supply at no charge for the remainder of the Part warranty, any new or remanufactured replacement parts as required by the product. During this period all labor and service charges will become the responsibility of the customer.

Exclusions: This warranty does not apply to the below:

1. If the appearance or exterior of the product has been damaged or defaced, altered or modified in design or construction.
2. If the product original serial number has been altered or removed or cannot be readily determined.
3. If there is damage due to power line surge, user damage to the AC power cord or connection to improper voltage source.
4. If damage is due to general misuse, accidents or acts of God.
5. If repair attempts are done by unauthorized service agents, use of parts other than genuine parts or parts obtained from persons other than authorized service companies.
6. On units that have been transferred from the original owner.
7. On products that have been purchased as refurbished, like new, second-hand, in a "As-Is" or "Final Sale" terms.
8. To products used in a commercial or rental setting.
9. To products used in settings other than ordinary household use or used other than in accordance with the provided instructions.
10. To damages for service calls for improper installations.
11. To damages to decorative trims, finishes of the appliance or home incurred during installation.
12. To glass or replaceable light bulbs.
13. Transportation and shipping costs.
14. Labor after the initial 12 months.
15. Food loss for loss due to product failure or delay in service, repair or replacement.
16. To charges occurred for after hour service, weekend, holiday charges, tolls or mileage expense for service calls to remote areas.
17. Charges to make product available for service, such as removal of trim, shelves etc. that are not a part of the appliance.
18. Service calls to install or correct the installation of your microwave.
19. Service calls to instruct you how to use your microwave.
20. Service calls to repair or replace the house fuse, reset the circuit breaker or correct the wiring in the house.

REPAIR OR REPLACEMENT AS PROVIDED UNDER THIS WARRANTY IS THE EXCLUSIVE REMEDY OF THE CUSTOMER; W Appliance Co. SHALL NOT BE LIABLE FOR ANY INCIDENTAL OR CONSEQUENTIAL DAMAGES FOR BREACH OF ANY EXPRESS OR IMPLIED WARRANTY ON THIS PRODUCT, EXCEPT TO THE EXTENT PROHIBITED BY APPLICABLE LAW. ANY IMPLIED WARRANTY OF MERCHANTABILITY OF FITNESS FOR A PARTICULAR PURPOSE ON THIS PRODUCT IS LIMITED TO THE DURATION OF THE WARRANTY.

Some states do not allow the exclusion or limitations of incidental or consequential damages, or limitations on how long the warranty lasts. In these cases the above exclusions or limitations may not apply to you. This warranty gives you specific legal rights and you may also have other rights which vary from state to state.

Obtaining Service: To obtain service, product literature, supplies or accessories please call **1 (855) 855-0294** to create a ticket for exchange/repair. Please make sure to provide the date of purchase, model number and a brief description of the problem. Our customer service representative will contact you or send detailed return instructions. W Appliance Co. does not warrant that the appliance will work properly in all environmental conditions, and makes no warranty and representation, either implied or expressed, with respect to the quality, performance, merchantability, or fitness for a particular purpose other than the purpose identified within this user's manual. W Appliance Co. has made every effort to ensure that this user's manual is accurate and disclaims liability for any inaccuracies or omissions that may have occurred. Information in this user's manual is subject to change without notice and does not represent a commitment on the part of W Appliance Co. W Appliance Co. reserves the right to make improvements to this user's manual and/or to the products described in this user's manual at any time without notice. If you find information in this manual that is incorrect, misleading, or incomplete, please contact us at **1- 855-855-0294**.

W Appliance Co.,
1356 Broadway
New York, NY 10018

TABLE DES MATIÈRES

CONSIGNES DE SÉCURITÉ

Précautions À Prendre pour Éviter Une Exposition Possible à Une Énergie Hyperfréquence.....	23
Excessive Une Note Spéciale Sur Les arcages	23
Addenda.....	23
Consignes De Sécurité Importantes.....	24-25
Instructions De Mise À La Terre	26
Guide Des Ustensiles Pour Le Micro-Ondes.....	27-28

CONFIGURATION ET UTILISATION

Spécifications.....	29
Guide d'installation.....	29
Pièces et Caractéristiques	30
Panneau de Commande et Caractéristiques	30
Fonctionnement.....	31-36

NETTOYAGE ET ENTRETIEN.....37

DÉPANNAGE ET GARANTIE

Avant d'Appeler Le Service	38
Service Client.....	38
Dépannage.....	39
Garantie Limitée.....	40

1. LISEZ attentivement ces instructions avant d'installer et d'utiliser l'appareil. Conservez-les pour plus de référence.
2. Enregistrez dans l'espace situé sous le "NUMÉRO DE SÉRIE/MODÈLE" situé à l'arrière ou au bas de votre appareil et conservez ces informations pour référence future.

NUMÉRO DE SÉRIE:

NUMÉRO DE MODÈLE:

DATE D'ACHAT:

Enregistrez et agrafez votre reçu de vente dans votre manuel pour une couverture de garantie.

CONSIGNES DE SÉCURITÉ

DANGER

DANGER - Dangers immédiats qui **VONT** entraîner des blessures graves ou la mort

AVERTISSEMENT

AVERTISSEMENT - Risques ou pratiques dangereuses qui **PEUVENT** entraîner des blessures graves ou la mort

ATTENTION

ATTENTION - Risques ou pratiques dangereuses qui **PEUVENT** entraîner des blessures mineures

PRÉCAUTIONS À PRENDRE POUR ÉVITER UNE EXPOSITION POSSIBLE À UNE ÉNERGIE EXCESSIVE DES MICRO-ONDES

1. N'essayez pas de faire fonctionner ce four avec la porte ouverte car le fonctionnement à porte ouverte peut entraîner une exposition nocive à l'énergie des micro-ondes. Il est important de ne pas altérer les verrouillages de sécurité.
2. Ne placez aucun objet entre la face avant du four et la porte et ne laissez pas la saleté ou les résidus de nettoyant s'accumuler sur les surfaces d'étanchéité.
3. Ne faites pas fonctionner le four s'il est endommagé. Il est particulièrement important que la porte du four se ferme correctement et qu'il n'y ait pas de dommages au:
 1. PORTE (tordue)
 2. CHARNIÈRES ET LOQUETS (brisés ou desserrés)
 3. JOINTS DE PORTE ET SURFACES D'ÉTANCHÉITÉ
4. Le four ne doit pas être ajusté ou réparé par quelqu'un d'autre que du personnel d'entretien dûment qualifié.

UNE NOTE SPÉCIALE SUR LES ARCAGES

Le terme "arcage" fait référence à la présence d'étincelles à l'intérieur du four à micro-ondes.

Elle peut être causée par:

- Du métal ou du papier d'aluminium touchant les parois intérieures du four.
- Feuille pas étroitement moulée à la nourriture, où les bords ont été laissés en l'air.
- Petites pièces métalliques comme des attaches torsadées, des épingles à volaille ou des plats à bordure dorée.
- Essuie-tout en papier recyclé pouvant contenir de petites quantités de métal.

ATTENTION

SI VOUS VOYEZ DES ÉTINCELLES DANS VOTRE FOUR À MICRO-ONDES, ÉTEIGNEZ IMMÉDIATEMENT LA MINUTERIE, ARRÊTEZ LA CUISSON ET CORRIGEZ LE PROBLÈME.

ADDENDA

Si ce produit n'est pas maintenu en bon état de propreté, sa surface pourrait être dégradée. Ça pourrait affecter la durée de vie du produit et conduire à une situation dangereuse.

CONSIGNES DE SÉCURITÉ

CONSIGNES DE SÉCURITÉ IMPORTANTES

AVERTISSEMENT

Lors de l'utilisation d'appareils électriques, les précautions de sécurité de base doivent être suivies, y compris les suivantes:

AVERTISSEMENT: Pour réduire le risque de brûlures, de choc électrique, d'incendie et de blessures aux personnes ou d'exposition à une énergie micro-ondes excessive:

1. Lisez toutes les instructions avant d'utiliser l'appareil.
2. Lisez attentivement et suivez les **“Précautions à prendre pour éviter une exposition possible à une énergie micro-ondes excessive”**.
3. Cet appareil doit être mis à la terre. Raccordez uniquement à une prise correctement mise à la terre. Voir **“INSTRUCTIONS DE MISE À LA TERRE”**.
4. Installez ou positionnez cet appareil uniquement conformément aux instructions d'installation fournies.
5. Certains produits comme les œufs entiers et les récipients scellés - par exemple, les bocaux en verre fermés - peuvent exploser et ne doivent pas être chauffés dans ce four.
6. Utilisez cet appareil uniquement pour les utilisations prévues décrites dans ce manuel. Ce type de four est spécialement conçu pour chauffer, cuire ou sécher les aliments. Il n'est pas conçu pour un usage industriel ou de laboratoire. N'utilisez pas de produits chimiques corrosifs ou de vapeurs dans cet appareil.
7. Comme pour tout appareil, une surveillance étroite est nécessaire lorsqu'il est utilisé par des enfants.
8. Pour réduire le risque d'incendie dans la cavité du four;
 - Ne pas trop cuire les aliments. Surveillez l'appareil quand du papier, du plastique ou d'autres matériaux combustibles sont placés à l'intérieur du four pour faciliter la cuisson.
 - Enlevez les serre-câbles des sacs en papier ou en plastique avant de placer le sac dans le four.
 - Si les matériaux à l'intérieur du four s'enflamment, gardez la porte du four fermée, éteignez le four et débranchez le cordon d'alimentation ou coupez l'alimentation au niveau du panneau de fusibles ou de disjoncteurs.
 - N'utilisez pas la cavité à des fins de rangement. Ne laissez pas de produits en papier, d'ustensiles de cuisine ou de nourriture à l'intérieur de la cavité quand vous ne l'utilisez pas.
9. Les liquides, comme l'eau, le café ou le thé, peuvent être surchauffés au-delà du point d'ébullition sans sembler bouillir à cause de la tension superficielle du liquide. Le bullage ou l'ébullition visible quand le récipient est enlevé du four à micro-ondes n'est pas toujours présent. **Ça pourrait entraîner une ébullition soudaine de liquides très chauds lorsqu'une cuillère ou un autre ustensile est inséré dans le liquide.**

CONSIGNES DE SÉCURITÉ

10. Ne pas chauffer l'huile ou la graisse pour la friture. Il est difficile de contrôler la température de l'huile dans un four à micro-ondes.
11. Les aliments à la peau épaisse comme les pommes de terre, courges entières, pommes et châtaignes doivent être percés d'une fourchette ou d'un couteau tranchant avant la cuisson.
12. Le contenu des biberons et des pots d'aliments pour bébés doit être remué ou secoué et la température doit être vérifiée avant de servir afin d'éviter les brûlures.
13. Les ustensiles de cuisine peuvent devenir chauds à cause de la chaleur transférée par les aliments chauffés. Des supports de pot peuvent être nécessaires pour manipuler l'ustensile.
14. Ne couvrez ni ne bloquez aucune ouverture sur l'appareil.
15. Ne rangez pas et n'utilisez pas cet appareil à l'extérieur. N'utilisez pas ce produit près de l'eau, par exemple, près d'un évier de cuisine, dans un sous-sol humide, près d'une piscine ou à des endroits similaires.
16. N'utilisez pas cet appareil si le cordon ou la fiche est endommagé, s'il ne fonctionne pas correctement ou s'il a été endommagé ou échappé.
17. Ne plongez pas le cordon ou la fiche dans l'eau. Tenir le cordon à l'écart des surfaces chauffées. Ne laissez pas le cordon pendre sur le bord d'une table ou d'un comptoir.
18. Utilisez uniquement des thermomètres spécialement conçus pour être utilisés dans les fours à micro-ondes.
19. Assurez-vous que le plateau en verre et les anneaux de rouleau sont en place avant d'utiliser le four.
20. Cet appareil ne doit être entretenu que par un personnel d'entretien qualifié. Contactez l'établissement de service autorisé le plus proche pour un examen, une réparation ou un ajustement.
21. Lors du nettoyage des surfaces d'étanchéité du four, comme le montant de la porte, n'utilisez que des savons doux et non abrasifs ou des détergents doux appliqués avec une éponge ou un chiffon doux.

GARDEZ CES INSTRUCTIONS USAGE DOMESTIQUE UNIQUEMENT

DÉCLARATION D'INTERFÉRENCE RADIOFRÉQUENCE DE LA FEDERAL COMMUNICATIONS COMMISSION

AVERTISSEMENT: Cet équipement génère et utilise l'énergie de fréquence ISM et s'il n'est pas installé et utilisé correctement, c'est-à-dire strictement conforme aux instructions du fabricant, peut causer des interférences à la réception de la radio et de la télévision. Il a été testé par type et jugé conforme aux limites d'un Équipement ISM conformément à la partie 18 des Règles de la FCC, qui sont conçues pour fournir une protection raisonnable contre de telles interférences dans une installation résidentielle. Cependant, il n'y a aucune garantie que des interférences ne se produiront pas dans une installation particulière. Si cet équipement cause des interférences à la réception de la radio ou de la télévision, ce qui peut être déterminé en éteignant et en allumant l'équipement, l'utilisateur est encouragé à essayer de corriger les interférences par un ou plusieurs des moyens suivants:

- Réorienter l'antenne de réception de la radio ou de la télévision.
- Déplacer le four à micro-ondes par rapport au récepteur.
- Éloignez le four à micro-ondes du récepteur.
- Brancher le four à micro-ondes dans une prise différente afin que le four à micro-ondes et le récepteur soient sur des circuits de dérivation différents.

LE FABRICANT n'est pas responsable des interférences radio ou TV causées par une MODIFICATION NON AUTORISÉE de ce four à micro-ondes. C'est la responsabilité de l'utilisateur de corriger une telle interférence.

CONSIGNES DE SÉCURITÉ

INSTRUCTIONS DE MISE À LA TERRE

EXIGENCES ÉLECTRIQUES

Les exigences électriques sont un 120 volts 60 Hz, CA seulement, 20 ampères. Il est recommandé de prévoir un circuit séparé desservant uniquement le four. Le four est équipé d'un cordon à 3 fils ayant une fiche de mise à la terre à 3 broches. Il doit être branché dans une prise murale correctement installée et mise à la terre.

Cet appareil doit être mis à la terre. En cas de court-circuit électrique, la mise à la terre réduit le risque de choc électrique en fournissant un fil d'échappement pour le courant électrique. Le cordon fourni avec cet appareil est équipé d'un fil de mise à la terre et d'une fiche de mise à la terre. La fiche doit être branchée dans une prise correctement installée et mise à la terre. N'essayez pas d'altérer cette fonction de sécurité en modifiant la fiche en aucune façon.

AVERTISSEMENT

Une mauvaise utilisation de la fiche de mise à la terre peut entraîner un risque de choc électrique.

Consultez un électricien ou un technicien qualifié si:

- 1) Les instructions de mise à la terre ne sont pas complètement comprises.
- 2) Vous n'êtes pas sûr que l'appareil est correctement mis à la terre.
- 3) Vous avez des questions sur la mise à la terre ou les instructions électriques.

CORDON D'ALIMENTATION

1. Un cordon d'alimentation court est fourni pour réduire le risque de s'emmêler ou de trébucher sur un cordon plus long.
2. Si le cordon d'alimentation est trop court, n'utilisez pas de rallonge. Demandez à un électricien ou à un technicien qualifié d'installer une prise de courant près de l'appareil.
3. S'il est absolument nécessaire d'utiliser des cordons plus longs ou une rallonge, une extrême prudence doit être exercée.
 - a) Utilisez uniquement une rallonge à 3 fils de type mise à la terre dotée d'une fiche de mise à la terre à 3 lames et d'une prise à 3 fentes qui acceptera la fiche de l'appareil.
 - b) Le calibre électrique marqué du cordon ou de la rallonge doit être égal ou supérieur au calibre électrique de l'appareil. Le cordon plus long doit être disposé de manière à ne pas se draper sur le dessus du comptoir ou sur le dessus de la table où il peut être tiré par les enfants ou trébuché involontairement.

REMARQUE: Ni Commercial Chef ni le détaillant ne peuvent être tenus responsables des dommages causés au four ou des blessures corporelles résultant du non-respect des procédures de connexion électrique.

CONSIGNES DE SÉCURITÉ

GUIDE DES USTENSILES POUR LE MICRO-ONDES

Cette section énumère les ustensiles qui peuvent être utilisés dans le micro-ondes, qui ont une utilisation limitée, et qui ne devraient pas être utilisés dans le micro-ondes du tout.

PEUT UTILISER	NE PEUT PAS UTILISER	UTILISATION LIMITÉE
<ul style="list-style-type: none">• Plat de brunissage au micro-ondes: Pour brunir l'extérieur des aliments comme les steaks, les côtelettes ou les crêpes. Suivez les instructions fournies avec votre plat de brunissage.• Enveloppe en plastique micro-ondes: Pour retenir la vapeur. Laissez une petite ouverture pour que de la vapeur s'échappe. Évitez de le placer directement sur la nourriture.• Essui-tout et serviettes: Pour absorber l'excès d'humidité et éviter les éclaboussures. Utilisez pour le chauffage et la couverture à court terme. Vérifiez les étiquettes du fabricant pour toute instruction spéciale.• Verre à l'épreuve du four, bols en vitrocéramique et vaisselle: À utiliser dans le four à micro-ondes.• Assiettes et gobelets en papier: Pour un chauffage à court terme à basse température. N'utilisez pas de papier recyclé qui pourrait contenir du métal et s'enflammer. <p>REMARQUE: Le papier recyclé peut contenir du métal qui pourrait s'enflammer, veuillez donc faire attention.</p>	<ul style="list-style-type: none">• Bocaux et bouteilles en verre: Le verre ordinaire est trop mince pour être utilisé au micro-ondes. Il peut éclater, causant des dommages et des blessures.• Sacs en papier: Ce sont un risque d'incendie, ils peuvent absorber la chaleur et brûler. Utilisez uniquement des sacs de maïs soufflé conçus pour une utilisation au micro-ondes.• Assiettes et tasses en polystyrène: Elles peuvent fondre et laisser un résidu chimique nocif sur les aliments.• Rangement en plastique et récipients alimentaires: Les récipients destinés au rangement au froid, comme les cuves à margarine, peuvent fondre au micro-ondes.• Ustensiles métalliques: Ceux-ci peuvent endommager votre four à micro-ondes. Enlevez tout le métal des aliments et des contenants avant la cuisson.• Papier parchemin: Utilisez-le comme couverture pour éviter les éclaboussures ou comme emballage pour la cuisson à la vapeur.	<ul style="list-style-type: none">• Feuille d'aluminium: Des bandes étroites et lisses de feuille peuvent être utilisées pour protéger les zones délicates sur les aliments comme les pilons et les ailes pour éviter la sur-cuisson. Gardez toute feuille d'aluminium à au moins 1 pouce des parois latérales et de la porte du micro-ondes. <p>REMARQUE: Utiliser trop de papier d'aluminium peut endommager votre four.</p> <ul style="list-style-type: none">• Céramique, porcelaine et grès: Uniquement s'ils sont étiquetés "Va Au Micro-Ondes". S'ils ne sont pas étiquetés, testez-les pour vous assurer qu'ils peuvent être utilisés en toute sécurité.• Plastique: À utiliser uniquement si étiqueté "Va Au Micro-Ondes". Utilisez avec précaution car le plastique peut se ramollir de la chaleur des aliments et un peu de plastique peut fondre.

CONSIGNES DE SÉCURITÉ

PEUT UTILISER

- **Papier ciré:** Pour éviter les éclaboussures.
- **Thermomètres:** Seuls ceux étiquetés "Va Au Micro-Ondes" et suivez toutes les directions. Vérifiez la température des aliments à plusieurs endroits. Les thermomètres conventionnels peuvent être utilisés sur les aliments cuits au micro-ondes dès que les aliments ont été enlevés du four.

NE PEUT PAS UTILISER

- Plateau en aluminium: Peut provoquer des arcages. Évitez les feuilles d'aluminium, elles peuvent provoquer des arcages.
- Carton à emporter avec poignée en métal: Peut provoquer des arcages. Transférez les aliments dans un récipient allant au micro-ondes.
- Ustensiles en métal ou garnis de métal: Les ustensiles de cuisine en métal, les garnitures en métal et les glaçures métalliques peuvent provoquer des arcages. Évitez également les brochettes en métal et les attaches en métal.
- Bois: Le bois se dessèche lorsqu'il est utilisé dans le four à micro-ondes et peut se fendre ou se fissurer. Les bols, paniers et planches en bois se dessèchent et peuvent se fendre ou se fissurer lorsqu'ils sont utilisés au micro-ondes.
- Essuie-tout, assiettes et gobelets en papier recyclé: Peut contenir du métal et peut s'enflammer.

REMARQUE: Pour tester si un plat est sûr pour le micro-ondes, placez le plat vide au four et passez au micro-ondes à puissance ÉLEVÉE pendant 30 secondes. Un plat qui devient très chaud ne doit pas être utilisé.

UTILISATION LIMITÉE

- **Paille, osier et bois:** Pour le chauffage à court terme, comme réchauffer les petits pains pendant quelques secondes. Les paniers et les bols peuvent être inflammables.

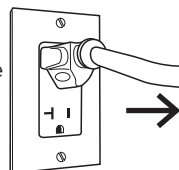
CONFIGURATION ET UTILISATION

SPÉCIFICATIONS

- Consommation Électrique: 120V-60 Hz, 1500W
- Puissance MWO: 1000W
- Fréquence de Fonctionnement: 2450MHz
- Dimensions Extérieures (H x L x P): 12.1" x 20.2 x 15.7" pour tous
- Dimensions de la Cavité du Four (H x L x P): 9.1" x 14.5" x 13.9" pour tous
- Capacité du Four: 1.1 pieds cubes
- Poids Net: Env. 30.9 lb

GUIDE D'INSTALLATION

1. Assurez-vous que tous les matériaux d'emballage sont enlevés de l'intérieur de la porte.
2. Vérifiez le four pour tout dommage, tel qu'une porte mal alignée ou tordue, des joints de porte et des surfaces d'étanchéité endommagés, des charnières et des loquets de porte brisés ou desserrés, et des bosses à l'intérieur de la cavité ou sur la porte. S'il y a des dommages, ne faites pas fonctionner le four. Contactez le personnel de service qualifié.
3. Ce four à micro-ondes doit être placé sur une surface plane et stable capable de supporter le poids du four plus les aliments les plus lourds susceptibles d'être cuits dans le four.
4. Ne placez pas le four là où la chaleur, l'humidité ou une humidité élevée sont générées, ou à proximité de matériaux combustibles.
5. Pour fonctionner correctement, le four doit avoir un débit d'air suffisant de tous les côtés. Laissez 8" d'espace au-dessus du four, 4" à l'arrière et 2" des deux côtés. Ne couvrez ni ne bloquez aucune ouverture sur l'appareil. N'enlevez pas les pieds sur lesquels repose le four.
6. Ne faites pas fonctionner le four sans plateau en verre, support de rouleau et arbre dans leurs positions appropriées.
7. Assurez-vous que le cordon d'alimentation n'est pas endommagé et ne passe pas sous le four ou sur une surface chaude ou tranchante.
8. La prise doit être facilement accessible afin que le cordon puisse être rapidement atteint et facilement débranché en cas d'urgence.



REMARQUE: N'enlevez pas la plaque de mica recouvrant le guide d'ondes dans la cavité du four.

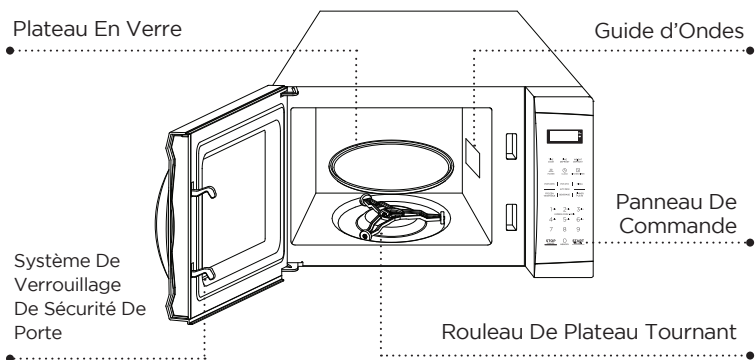
INTERFÉRENCE RADIO OU TV

Si le four à micro-ondes provoque des interférences avec votre radio ou téléviseur,

1. Vérifiez que le four à micro-ondes est sur un circuit différent
2. Déplacez la radio ou la télévision aussi loin que possible du four
3. Vérifiez la position et le signal de l'antenne de réception.
4. Nettoyez la porte et la surface d'étanchéité.
5. Déplacez le four à micro-ondes loin du récepteur.

CONFIGURATION ET UTILISATION

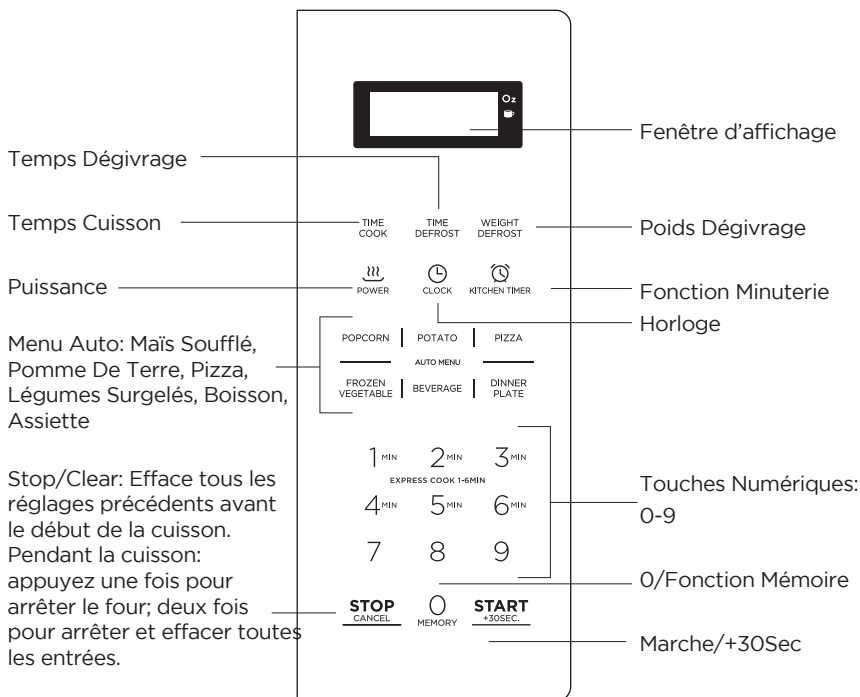
PIÈCES ET CARACTÉRISTIQUES



REMARQUE: N'enlevez pas la plaque de mica recouvrant le guide d'ondes dans la cavité du four.

- A. Ne placez jamais le plateau de verre à l'envers. Le plateau en verre ne doit jamais être restreint.
- B. Le plateau en verre et l'anneau du plateau tournant doivent toujours être utilisés pendant la cuisson.
- C. Tous les aliments et récipients d'aliments sont toujours placés sur le plateau en verre pour la cuisson.

PANNEAU DE COMMANDE ET CARACTÉRISTIQUES



CONFIGURATION ET UTILISATION

OPÉRATION

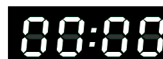
1. Niveau De Puissance

Les niveaux de puissance suivants sont disponibles.

Level	10	9	8	7	6	5	4	3	2	1
Power	100%	90%	80%	70%	60%	50%	40%	30%	20%	10%
Display	PL10	PL9	PL8	PL7	PL6	PL5	PL4	PL3	PL2	PL1

2. Réglage De l'Horloge

(1) Appuyez sur "HORLOGE", "00:00" s'affichera.



(2) Appuyez sur les touches numériques et entrez l'heure actuelle.

Par exemple, pour régler l'horloge à 10:12, appuyez sur "1, 0, 1, 2".



(3) Appuyez sur "HORLOGE" pour terminer le réglage de l'horloge. ":" clignotera et l'horloge sera allumée.

(4) Si les nombres ne sont pas dans la gamme de 1:00 à 12:59, le réglage sera invalide jusqu'à ce que des nombres valides soient entrés.

REMARQUE: (1) Dans le processus de réglage de l'horloge, si vous appuyez sur le bouton "ARRÊT/EFFACER" ou si aucune opération n'est sélectionnée dans la minute, le four reviendra automatiquement au réglage précédent.

(2) Si l'horloge doit être réinitialisée, répétez les étapes 1 à 3.



3. Minuterie

(1) Appuyez sur "MINUTERIE", l'affichage affichera "00:00", la figure de la première heure clignote.

(2) Appuyez sur les touches numériques et entrez l'heure de la minuterie. (Le temps de cuisson maximum est de 99 minutes et 99 secondes.)

(3) Appuyez sur "MARCHE/+30SEC." pour confirmer le réglage.

(4) Quand le temps de minuterie est terminé, l'avertisseur sonore émettra 5 bips. Si l'horloge est réglée, la DEL affichera l'heure actuelle.

REMARQUE: 1) La minuterie de cuisine est une minuterie et n'affichera pas "Horloge".

2) Lors de l'utilisation de la minuterie de cuisine, aucun autre programme ne peut être réglé.



4. Cuisson au micro-ondes

(1) Appuyez sur "TEMPS CUISSON" une fois, l'affichage affichera "00:00".

(2) Appuyez sur les touches numériques pour entrer le temps de cuisson; le temps de cuisson maximum est de 99 minutes et 99 secondes.

(3) Appuyez sur "PUISSANCE" une fois, l'affichage affichera "PL10". La puissance par défaut est de 100%. Vous pouvez maintenant appuyer sur les touches numériques pour régler le niveau de puissance.

(4) Appuyez sur "MARCHE/+30SEC." pour commencer la cuisson.

CONFIGURATION ET UTILISATION

Exemple: Cuire les aliments avec une puissance de micro-ondes de 50% pendant 15 minutes.

- Appuyez une FOIS sur “TEMPS CUISSON”. “00:00” s’affiche.
- Appuyez sur “1”, “5”, “0”, “0” dans l’ordre.
- Appuyez sur “PUISSANCE” une fois, puis appuyez sur “5” pour sélectionner 50% de puissance micro-ondes.
- Appuyez sur “MARCHE/+30SEC.” pour commencer la cuisson.



REMARQUE:

- En cours de réglage, si le bouton “ARRÊT/EFFACER” est enfoncé ou si aucune opération n’est effectuée dans la minute, le four reviendra automatiquement au réglage précédent.
- Si “PLO” est sélectionné, le four fonctionnera uniquement avec le ventilateur et sans alimentation.
- Pendant la cuisson au micro-ondes, vous pouvez appuyer sur “PUISSANCE” pour modifier la puissance dont vous avez besoin. Après avoir appuyé sur “PUISSANCE”, l’alimentation actuelle s’allume pendant 3 secondes, vous pouvez maintenant appuyer sur le bouton numéro pour modifier l’alimentation. Le four fonctionnera avec la puissance sélectionnée pour le reste du temps de cuisson.

5. Cuisson Express

- Si ce n’est pas déjà le cas, appuyez sur les touches numériques 1-6 pour cuire rapidement de 1 à 6 minutes à 100 % de puissance. Appuyez sur “MARCHE/+30SEC” pour augmenter le temps de cuisson; le temps de cuisson maximum est de 99 minutes et 99 secondes.
- Pour cuire pendant 30 secondes à 100% de puissance, appuyez sur “MARCHE/+30SEC”. Chaque pression sur le même bouton augmente le temps de cuisson de 30 secondes. Le temps de cuisson maximum est de 99 minutes et 99 secondes.

REMARQUE: Pendant la cuisson au micro-ondes et le dégivrage, le temps peut être ajouté en appuyant sur le bouton “MARCHE/+30SEC”.

6. Fonction Poids Dégivrage

- Appuyez sur “POIDS DÉGIVRAGE”, la DEL affichera “DEF1”.
- Appuyez sur les boutons numéros pour entrer le poids à dégivrer. Le poids doit être compris entre 4 oz et 100 oz.
- Appuyez sur “MARCHE/+30SEC.” pour démarrer le dégivrage et le temps de cuisson restant sera affiché.



7. Fonction Temps Dégivrage

- Appuyez sur “TEMPS DÉGIVRAGE”, l’affichage affichera “DEF2”.
- Appuyez sur les pavés numériques pour entrer le temps de dégivrage. La gamme de temps effective est de 0:01-99:99.
- La puissance micro-ondes par défaut est le niveau de puissance 3. Si vous voulez modifier le niveau de puissance, appuyez une fois sur “PUISSANCE” et l’écran affichera “PL 3”, puis appuyez sur le pavé numérique du niveau de puissance voulu.
- Appuyez sur “MARCHE/+30SEC.” pour commencer le dégivrage. Le temps de cuisson restant sera affiché.



CONFIGURATION ET UTILISATION

8. MAÏS SOUFFLÉ



(1) Appuyez sur “MAÏS SOUFFLÉ” à plusieurs reprises jusqu’à ce que la taille du paquet de votre maïs soufflé apparaisse dans l’affichage, “1,75”, “3,0”, “3,5” Oz s’affichera dans l’ordre.

Par exemple, appuyez sur “MAÏS SOUFFLÉ” une fois, “1.75” apparaît.

(2) Appuyez sur “MARCHE/+30 SEC.” pour cuire, l’avertisseur sonore retentit une fois. Quand la cuisson est terminée, l’avertisseur sonore retentit cinq fois.

9. POMME DE TERRE

(1) Appuyez sur “POMME DE TERRE” à plusieurs reprises jusqu’à ce que le numéro dont vous avez besoin apparaisse sur l’écran,

“1”, “2”, “3” s’affichent dans l’ordre.



“1”: 1 pomme de terre (environ 8 oz)

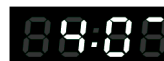
“2”: 2 pommes de terre (environ 16 oz)

“3”: 3 pommes de terre (environ 24 oz)

Par exemple, appuyez sur “POMME DE TERRE” une fois, “1” apparaît.

(2) Appuyez sur “MARCHE/+30 SEC.” pour cuire, l’avertisseur sonore retentit une fois. Quand la cuisson est terminée, un buzzer retentit cinq fois.

10. LÉGUMES SURGELÉS



(1) Appuyez sur “LÉGUME SURGELÉ” à plusieurs reprises jusqu’à ce que la taille de l’emballage de vos légumes apparaisse dans l’affichage, “4.0”, “8.0”, “16.0” oz s’affichera dans l’ordre.

Par exemple, appuyez sur “LÉGUME SURGELÉ” une fois, “4.0” apparaît.

(2) Appuyez sur “MARCHE/+30 SEC.” pour cuire, l’avertisseur sonore retentit une fois. Quand la cuisson est terminée, un buzzer retentit cinq fois.

11. BEVERAGE



(1) Appuyez sur “BOISSON” à plusieurs reprises jusqu’à ce que le numéro dont vous avez besoin apparaisse sur l’écran, “1”, “2”, “3” tasse s’affichera dans l’ordre.

Par exemple, appuyez sur “BOISSON” une fois, “1” apparaît.

(2) Appuyez sur “MARCHE/+30 SEC.” pour cuire, l’avertisseur sonore retentit une fois. Quand la cuisson est terminée, un buzzer retentit cinq fois.

12. ASSIETTE À DÎNER



(1) Appuyez sur “ASSIETTE” à plusieurs reprises jusqu’à ce que le numéro dont vous avez besoin apparaisse dans le afficher, “9.0”, “12.0”, “18.0” oz s’affichera dans l’ordre.

Par exemple, appuyez sur “ASSIETTE” une fois, “9.0” apparaît.

(2) Appuyez sur “MARCHE/+30 SEC.” pour cuire, l’avertisseur sonore retentit une fois. Quand la cuisson est terminée, un buzzer retentit cinq fois.

CONFIGURATION ET UTILISATION



13. PIZZA (Réchauffer)

(1) Appuyez sur "PIZZA" à plusieurs reprises jusqu'à ce que le poids de votre pizza apparaisse dans l'affichage, "4.0", "8.0", "14.0" oz s'affichera dans l'ordre.

Par exemple, appuyez sur "PIZZA" une fois, "4.0" apparaît.

(2) Appuyez sur "MARCHE/+30 SEC." pour cuire, l'avertisseur sonore retentit une fois. Quand la cuisson est terminée, un buzzer retentit cinq fois.

14. FONCTION DE MÉMOIRE

(1) Appuyez sur "0/MÉMOIRE" pour choisir la mémoire 1 à 3. L'affichage affichera 1, 2, 3.

(2) Si le réglage a été programmé, appuyez sur "MARCHE/+30 SEC." pour l'utiliser. Si ce n'est pas le cas, continuez à choisir le réglage. Seules une ou deux étapes peuvent être réglées.

(3) Après avoir terminé le réglage, appuyez une fois sur "MARCHE/+30 SEC." pour enregistrer le réglage. Appuyez à nouveau sur "MARCHE/+30 SEC." pour que la cuisson commence.

Exemple: Pour programmer le réglage suivant comme deuxième mémoire pour cuire les aliments avec 80% de puissance micro-ondes pendant 3 minutes et 20 secondes.

Les étapes sont les suivantes:

A. Dans l'état d'attente, appuyez deux fois sur "0/MÉMOIRE", l'écran affiche "2".

B. Appuyez une fois sur "TEMPS CUISSON", puis appuyez sur "3", "2", "0" dans l'ordre.

C. Appuyez sur "PUISSANCE" une fois, "PL10" s'affiche, puis appuyez sur "8" et "PL8" s'affiche.

D. Appuyez sur "MARCHE/+30 SEC." pour enregistrer le réglage. L'avertisseur sonore retentit une fois et la DEL affichera "2". Si vous appuyez à nouveau sur "MARCHE/+30SEC.", le réglage sera enregistré comme mémoire 2 et il commencera à cuire.

E. Si l'alimentation est coupée, le réglage "0/MÉMOIRE" devra être reprogrammé.

F. Si vous voulez exécuter le réglage enregistré, en état d'attente, appuyez deux fois sur "0/MÉMOIRE", l'écran affiche "2", puis appuyez sur "MARCHE/+30SEC." pour exécuter.

15. CUISSON MULTI-ÉTAPES

Au maximum, 2 étapes peuvent être réglées pour la cuisson. Lors de la cuisson en plusieurs étapes, si une étape est le dégivrage, le dégivrage doit être placée automatiquement dans la première étape.

REMARQUE: La cuisson automatique ne peut pas fonctionner dans la cuisson en plusieurs étapes.

Exemple: Si vous voulez cuisiner avec 80% de puissance micro-ondes pendant 5 minutes + 60% de puissance micro-ondes pendant 10 minutes. Les étapes de cuisson sont les suivantes:

(1) Appuyez une fois sur "TEMPS CUISSON", puis appuyez sur "5", "0", "0" pour régler le temps de cuisson;

(2) Appuyez sur "PUISSANCE" une fois, puis appuyez sur "8" pour sélectionner 80% de puissance micro-ondes.

(3) Appuyez une fois sur "TEMPS CUISSON", puis appuyez sur "1", "0", "0" pour régler le temps de cuisson;

(4) Appuyez sur "PUISSANCE" une fois, puis appuyez sur "6" pour sélectionner 60% de puissance micro-ondes.

(5) Appuyez sur "MARCHE/+30 SEC." pour commencer la cuisson.

CONFIGURATION ET UTILISATION

16. FONCTION INTERROGATIVE

- (1) Dans l'état de cuisson micro-ondes ou multi-étapes, appuyez sur "HORLOGE", l'affichage affichera l'horloge pendant trois secondes.
- (2) Dans la cuisson au micro-ondes ou à plusieurs étages, appuyez sur "PUISSANCE" pour demander le niveau de puissance du micro-ondes, et la puissance actuelle du micro-ondes sera affichée. Après trois secondes, le four reviendra à l'état précédent.

17. FONCTION DE VERROUILLAGE ENFANT

Verrouillage: Dans l'état d'attente, appuyez sur "ARRÊT/EFFACER" pendant 3 secondes, il y aura un long "bip" indiquant l'entrée dans l'état de verrouillage des enfants; pendant ce temps, l'affichage affichera "**0000**".

Désactiver Le Verrouillage Enfant: En état verrouillé, appuyez sur "ARRÊT/EFFACER" pendant 3 secondes, il y aura un long "bip" indiquant que le verrouillage est relâché.

18. FONCTION DE RAPPEL DE FIN DE CUISSON

Quand la cuisson est terminée, l'avertisseur sonore émet 5 "bip" pour avertir l'utilisateur que la cuisson est terminée.

19. AUTRES SPÉCIFICATIONS

- (1) En mode veille, si l'horloge numérique réglée affiche l'heure actuelle, l'icône ": " clignotera; sinon, elle affichera "0:00".
- (2) En mode réglage de fonction, la DEL affiche le réglage correspondant.
- (3) En mode de marche ou de pause, la DEL affiche le temps de cuisson excédentaire.

CONFIGURATION ET UTILISATION

TECHNIQUES DE CUISSON

Votre micro-ondes rend la cuisson plus facile que la cuisson conventionnelle, à condition de garder ces considérations à l'esprit:

REMUER

Remuez les aliments comme les casseroles et les légumes pendant la cuisson pour répartir la chaleur uniformément. Les aliments à l'extérieur du plat absorbent plus d'énergie et chauffent plus rapidement, alors remuez de l'extérieur au centre. Le four s'éteindra quand vous ouvrirez la porte pour remuer vos aliments.

DISPOSITION

Disposez les aliments de forme inégale, comme les morceaux de poulet ou les côtelettes, avec les parties les plus épaisses et les plus charnues vers l'extérieur du plateau tournant où elles reçoivent plus d'énergie micro-ondes. Pour éviter une cuisson excessive, placez des zones délicates, comme les pointes d'asperges, vers le centre du plateau tournant.

BLINDAGE

Blindez des aliments avec des bandes étroites de papier d'aluminium pour éviter la sur-cuisson. Les zones qui ont besoin de protection comprennent les extrémités des ailes de volaille, les extrémités des pattes de volaille et les coins des plats de cuisson carrés. N'utilisez que de petites quantités de papier d'aluminium. Des quantités plus importantes peuvent endommager votre four.

TOURNAGE

Tournez les aliments à mi-chemin de la cuisson pour exposer toutes les parties à l'énergie des micro-ondes. Ceci est particulièrement important avec les gros aliments comme les rôtis.

REPOS

Les aliments cuits au micro-ondes accumulent de la chaleur interne et continuent à cuire pendant quelques minutes après l'arrêt du chauffage. Laissez les aliments se reposer pour terminer la cuisson, en particulier les aliments comme les gâteaux et les légumes entiers. Les rôtis ont besoin de ce temps pour terminer la cuisson au centre sans trop cuire les zones extérieures. Tous les liquides, comme la soupe ou le chocolat chaud, doivent être brassés ou remués quand la cuisson est terminée. Laissez les liquides reposer un moment avant de servir. Quand vous chauffez des aliments pour bébés, remuez bien au moment de les retirer et testez la température avant de les servir.

AJOUTER DE L'HUMIDITÉ

L'énergie des micro-ondes est attirée par les molécules d'eau. Les aliments dont la teneur en humidité est inégale doivent être recouverts ou laissés debout pour que la chaleur se disperse uniformément. Ajoutez une petite quantité d'eau aux aliments secs pour les aider à cuire.

NETTOYAGE ET ENTRETIEN

1. Quand vous nettoyez les surfaces de la porte et du four, utilisez uniquement des savons ou détergents doux et non abrasifs et appliquez-les avec une éponge ou un chiffon doux.
2. Éteignez le four et enlevez la fiche d'alimentation de la prise murale avant de le nettoyer.
3. Gardez l'intérieur du four propre. Quand des éclaboussures de nourriture ou des liquides renversés adhèrent aux parois du four, essuyez-les avec un chiffon humide. Un détergent doux peut être utilisé si le four est très sale. Évitez d'utiliser des pulvérisateurs et d'autres nettoyeurs agressifs, car ils peuvent tacher, rayer ou ternir la surface de la porte.
4. Les surfaces extérieures doivent être nettoyées avec un chiffon humide. Pour éviter d'endommager les pièces de fonctionnement à l'intérieur du four, l'eau ne doit pas pénétrer dans les ouvertures de ventilation.
5. Essuyez la fenêtre des deux côtés avec un chiffon humide pour enlever tout déversement ou éclaboussure.
6. Ne laissez pas le panneau de commande devenir humide. Nettoyez avec un chiffon doux et humide. Lors du nettoyage du panneau de commande, laissez la porte du four ouverte pour éviter que le four ne s'allume accidentellement.
7. Si la vapeur s'accumule à l'intérieur ou autour de l'extérieur de la porte du four, essuyez-la avec un chiffon doux. Ça peut se produire quand le four à micro-ondes est utilisé dans des conditions d'humidité élevée, ce qui est normal.
8. Il est parfois nécessaire d'enlever le plateau en verre pour le nettoyage. Lavez le plateau à l'eau chaude et moussante ou au lave-vaisselle.
9. L'anneau de rouleau et le plancher du four doivent être nettoyés régulièrement pour éviter un bruit excessif. Essayez simplement la surface inférieure du four avec un détergent doux. L'anneau de roulement peut être lavé à l'eau douce ou au lave-vaisselle. Lors du retrait de la bague de roulement du plancher de la cavité pour le nettoyage, assurez-vous de la remplacer dans la bonne position.
10. Enlevez les odeurs de votre four en combinant une tasse d'eau avec le jus et la peau d'un citron dans un bol profond, au micro-ondes pendant 5 minutes. Essayez soigneusement et séchez avec un chiffon doux.
11. Lorsqu'il devient nécessaire de remplacer la lampe du four, veuillez consulter un détaillant pour la faire remplacer.
12. Veuillez ne pas jeter cet appareil dans la poubelle des ordures ménagères; il doit être jeté au centre d'élimination particulier fourni par les municipalités.
13. Ne faites pas fonctionner cet appareil lorsqu'il est vide.

DÉPANNAGE ET GARANTIE

AVANT D'APPELER POUR LE SERVICE

SI LE FOUR NE FONCTIONNE PAS:

- A) Vérifiez que le four est bien branché. Si ce n'est pas le cas, retirez la fiche de la prise, attendez 10 secondes et rebranchez-la correctement..
- B) Vérifiez s'il y a un fusible de circuit grillé ou un disjoncteur principal déclenché. Si ceux-ci semblent fonctionner correctement, testez la prise avec un autre appareil.
- C) Vérifiez que le panneau de commande est correctement programmé et que la minuterie est réglée.
- D) Vérifiez que la porte est bien fermée en engageant le système de verrouillage de sécurité de la porte. Sinon, l'énergie des micro-ondes ne circulera pas dans le four.

SI AUCUNE DES RÉPONSES CI-DESSUS NE RÉSOUT LE PROBLÈME, CONTACTEZ UN TECHNICIEN QUALIFIÉ. N'ESSAYEZ PAS DE RÉGLER OU DE RÉPARER LE FOUR VOUS-MÊME.

SERVICE CLIENT

IMPORTANT

NE RETOURNEZ PAS CE PRODUIT AU MAGASIN

Si vous avez un problème avec ce produit, veuillez contacter le Centre de Satisfaction Client W Appliance Co. au 1-855-855-0294.

PREUVE D'ACHAT DATÉE, NUMÉRO DE MODÈLE ET NUMÉRO DE SÉRIE REQUIS POUR LE SERVICE DE GARANTIE

DÉPANNAGE ET GARANTIE

DÉPANNAGE

Résolvez votre problème en utilisant le tableau ci-dessous. Si le four à micro-ondes ne fonctionne toujours pas correctement, contactez le centre de service client de W Appliance Co. ou le centre de service agréé le plus proche. Les clients ne doivent jamais dépanner les composants internes. Les micro-ondes maintiennent une tension dangereuse (5000V) même après la mise hors tension. Seul un technicien certifié devrait essayer de réparer les micro-ondes.

TROUBLE	POSSIBLE CAUSE	POSSIBLE REMEDY
Le four ne démarre pas	<ul style="list-style-type: none">A. Le cordon électrique du four n'est pas branché.B. La porte est ouverte.C. Une opération incorrecte est réglée.	<ul style="list-style-type: none">A. Branchez dans la prise.B. Fermez la porte et réessayez.C. Vérifiez les instructions.
Aliments mal cuits	<ul style="list-style-type: none">A. Les matériaux à éviter dans le four à micro-ondes ont été utilisés.B. Les aliments ne sont pas complètement décongelés.C. Temps de cuisson, niveau de puissance ne convient pas.D. La nourriture n'est pas retournée ou remuée.	<ul style="list-style-type: none">A. Utilisez uniquement des ustensiles de cuisson allant au micro-ondes.B. Dégivrez complètement les aliments.C. Utilisez le temps de cuisson, niveau de puissance corrects.D. Retournez ou remuez les aliments.
Aliments trop cuits	<ul style="list-style-type: none">Temps de cuisson, niveau de puissance ne convient pas.	<ul style="list-style-type: none">Utilisez le temps de cuisson, niveau de puissance corrects.
Aliments insuffisamment cuits	<ul style="list-style-type: none">A. Les matériaux à éviter dans le four à micro-ondes ont été utilisés.B. Les aliments ne sont pas complètement décongelés.C. Les orifices de ventilation du four sont restreints.D. Temps de cuisson, niveau de puissance ne convient pas.	<ul style="list-style-type: none">A. Utilisez uniquement des ustensiles de cuisine adaptés aux micro-ondes.B. Décongeler complètement les aliments.C. Vérifiez que les orifices de ventilation du four ne sont pas obstrués.D. Utilisez un temps de cuisson et un niveau de puissance corrects.
Décongélation incorrecte	<ul style="list-style-type: none">A. Les matériaux à éviter dans le four à micro-ondes ont été utilisés.B. Temps de cuisson, niveau de puissance ne convient pas.C. La nourriture n'est pas retournée ou remuée.	<ul style="list-style-type: none">A. Utilisez uniquement des ustensiles de cuisine adaptés aux micro-ondes.B. Utilisez un temps de cuisson et un niveau de puissance corrects.C. Retournez ou remuez les aliments.

DÉPANNAGE ET GARANTIE

GARANTIE LIMITÉE

La marque Commercial Chef est utilisée sous licence. Toute réparation, remplacement ou service de garantie, ainsi que toutes les questions concernant ce produit doivent être adressées à W Appliance Co. au **1 (855) 855-0294** depuis les États-Unis ou Porto Rico.

W Appliance Co. garantit à l'acheteur initial que le produit sera exempt de défauts de matériau, de pièces et de fabrication pendant la période désignée pour ce produit. La garantie commence le jour de l'achat du produit et couvre jusqu'à une période de **1 an (12 mois) pour la main-d'œuvre/1 an (12 mois) pour les pièces (défauts de fabrication uniquement)/5 ans (60 mois) tube magnétron pour micro-ondes (partie seulement)**. W Appliance Co. accepte de remplacer, à son choix, le produit défectueux par un micro-ondes neuf ou reconditionné équivalent à votre achat initial pendant la période de garantie. Si la période de garantie de la pièce dépasse la période de garantie de la main-d'œuvre, W Appliance Co. fournira gratuitement, pour le reste de la garantie de la pièce, toutes les pièces de rechange neuves ou remises à neuf requises par le produit. Pendant cette période, tous les frais de main-d'œuvre et de service deviendront à la charge du client.

Exclusions: Cette garantie ne s'applique pas à ce qui suit:

1. Si l'apparence ou l'extérieur du produit a été endommagé ou dégradé, altéré ou modifié dans la conception ou la construction.
2. Si le numéro de série d'origine du produit a été modifié ou supprimé ou ne peut pas être facilement déterminé.
3. S'il y a des dommages dus à la surtension de la ligne électrique, aux dommages de l'utilisateur au cordon d'alimentation CA ou à la connexion à la source de tension appropriée.
4. Si les dommages sont dus à une mauvaise utilisation générale, à des accidents ou à des actes de Dieu.
5. Si des tentatives de réparation sont effectuées par des agents de service non autorisés, utilisation de pièces autres que des pièces d'origine ou de pièces obtenues auprès de personnes autres que des compagnies de service autorisées.
6. Sur les unités qui ont été transférées du propriétaire d'origine.
7. Sur les produits qui ont été achetés comme reconditionnés, comme neufs, d'occasion, dans des termes "Tel Quel" ou "Vente Finale".
8. Aux produits utilisés dans un cadre commercial ou locatif.
9. Aux produits utilisés dans des contextes autres que l'usage domestique ordinaire ou utilisés autrement que conformément aux instructions fournies.
10. Aux dommages pour des appels de service pour des installations incorrectes.
11. Aux dommages aux garnitures décoratives, aux finitions de l'appareil ou à la maison subis lors de l'installation.
12. Aux ampoules en verre ou remplaçables.
13. Frais de transport et d'expédition.
14. Main-d'œuvre après les 12 premiers mois.
15. Perte de nourriture pour perte due à une défaillance du produit ou à un retard dans le service, la réparation ou le remplacement.

16. Aux frais facturés pour le service après les heures de travail, la fin de semaine, les frais de vacances, les péages ou les frais de kilométrage pour les appels de service vers les régions éloignées.
17. Aux frais pour rendre le produit disponible pour le service, comme le retrait de la garniture, des tablettes, etc. qui ne font pas partie de l'appareil.
18. Appels de service pour installer ou corriger l'installation de votre micro-ondes.
19. Appels de service pour vous indiquer comment utiliser votre micro-ondes.
20. Appels de service pour réparer ou remplacer le fusible de la maison, réinitialiser le disjoncteur ou corriger le câblage dans la maison.

LA RÉPARATION OU LE REMPLACEMENT PRÉVUS PAR LA PRÉSENTE GARANTIE EST LE RECOURS EXCLUSIF DU CLIENT; W Appliance CO. NE SERA PAS RESPONSABLE DES DOMMAGES ACCESSOIRES OU CONSÉCUTIFS POUR VIOLATION DE TOUTE GARANTIE EXPRESSE OU IMPLICITE SUR CE PRODUIT, SAUF DANS LA MESURE INTERDITE PAR LA LOI APPLICABLE. TOUTE GARANTIE IMPLICITE DE QUALITÉ MARCHANDE D'ADAPTATION À UN USAGE PARTICULIER DE CE PRODUIT EST LIMITÉE À LA DURÉE DE LA GARANTIE.

Certains États n'autorisent pas l'exclusion ou la limitation des dommages accessoires ou consécutifs, ou des limitations sur la durée de la garantie. Dans ces cas, les exclusions ou limitations ci-dessus peuvent ne pas s'appliquer à vous. Cette garantie vous donne des droits légaux spécifiques et vous pouvez également avoir d'autres droits qui varient d'un État à l'autre.

Obtenir Un Service: Pour obtenir un service, de la documentation sur les produits, des fournitures ou des accessoires, veuillez composer le **1 (855) 855-0294** pour créer un billet d'échange/de réparation. Veuillez vous assurer de fournir la date d'achat, le numéro de modèle et une brève description du problème. Notre représentant du service client vous contactera ou vous enverra des instructions de retour détaillées.

W Appliance Co. ne garantit pas que l'appareil fonctionnera correctement dans toutes les conditions environnementales et ne donne aucune garantie et représentation, implicite ou expresse, en ce qui concerne la qualité, les performances, la qualité marchande ou l'adéquation à un usage particulier autre que celui identifié dans ce manuel de l'utilisateur. W Appliance Co. a fait tous les efforts pour s'assurer que ce manuel de l'utilisateur est exact et décline toute responsabilité pour toute inexactitude ou omission qui aurait pu se produire. Les informations contenues dans ce manuel de l'utilisateur sont sujettes à modification sans préavis et ne représentent pas un engagement de la part de W Appliance Co. W Appliance Co. se réserve le droit d'apporter des améliorations à ce manuel d'utilisation et/ou aux produits décrits dans ce manuel d'utilisation à tout moment et sans préavis. Si vous trouvez des informations incorrectes, trompeuses ou incomplètes dans ce manuel, veuillez nous contacter au **1-855-855-0294**.

W Appliance Co.,
1356 Broadway
New York, NY 10018



© 2023 Commercial Chef is a W Appliance Company.
All Rights Reserved.

© 2023 Commercial Chef est une compagnie W Appliance.
Tous Droits Réservés.