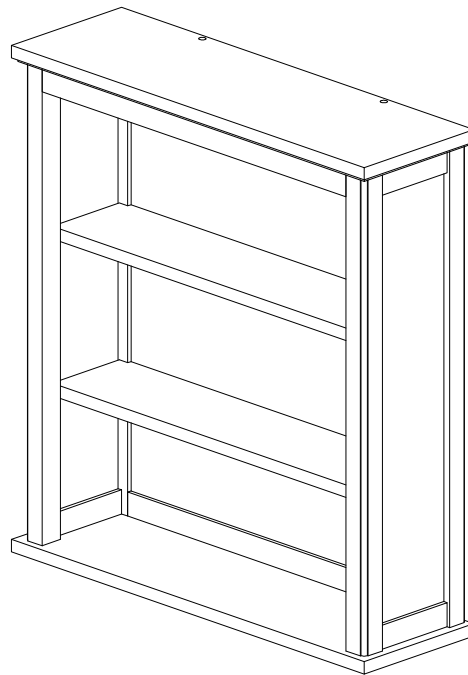


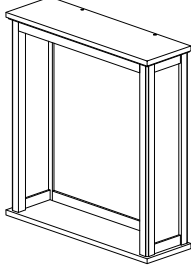
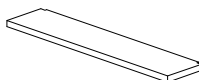
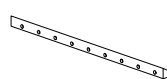
Toilet Hutch with Open Storage


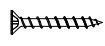

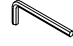



Thank you for purchasing the Toilet Hutch with Open Storage. We have found it helpful to have a second person present during the assembly process.

Toilet Hutch with Open Storage Assembly Instructions

Parts

NO.	DRAWING	DESCRIPTION	QTY
A		TOILET HUTCH	1
B		SHELF	2
C		FRENCH CLEAT	1

NO.	DRAWING	DESCRIPTION	QTY
D		M6x45MM BOLT	4
E		4x40MM	4
F		SHELF CLIP	8
G		ALLEN KEY	1
I		ANTI-TIP	1

Step 1

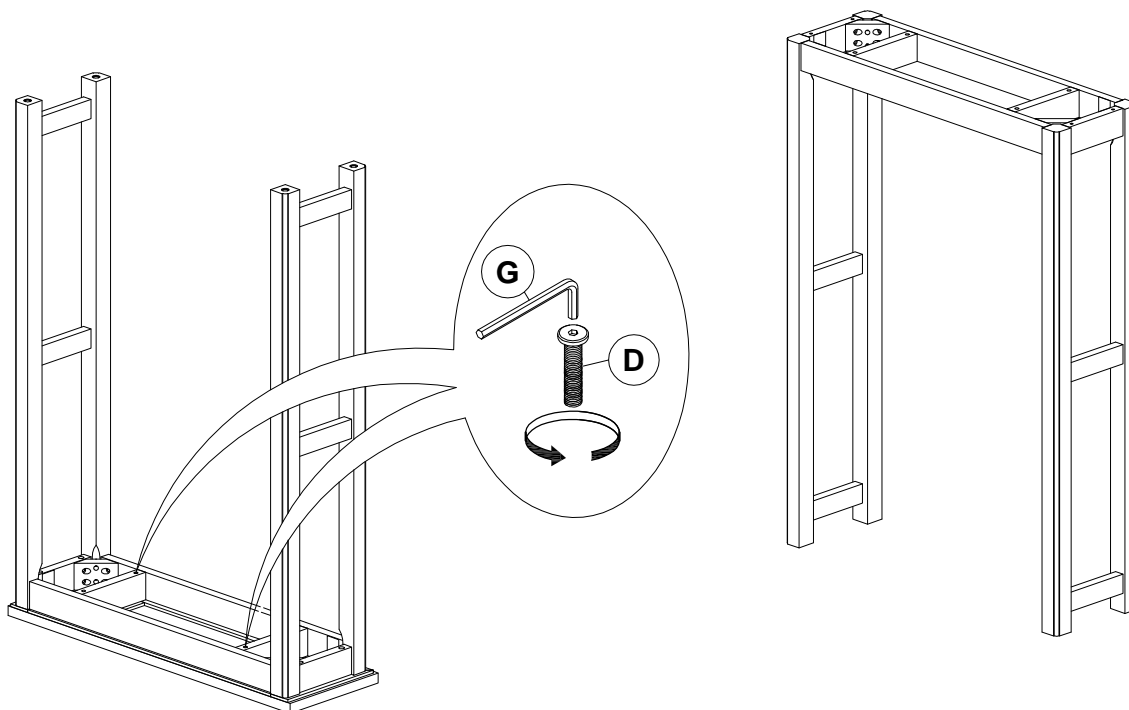
Read through these instructions thoroughly before beginning assembly. We have found this to be of great value when assembling this product.

Step 2

Remove all parts and hardware from packing material. Wooden pieces should be placed on a non abrasive surface to prevent damage to the finish

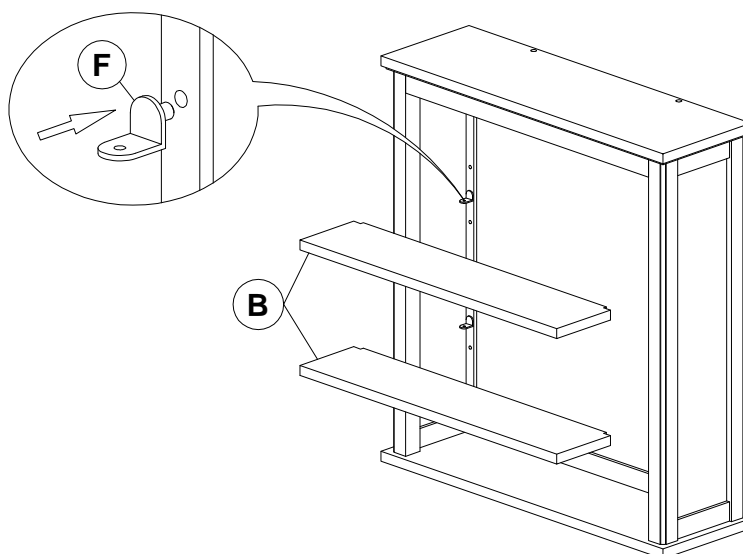
Step 3

Remove Table Top of Toilet Base by unscrewing 4 pre-installed Hex Bolts (D).



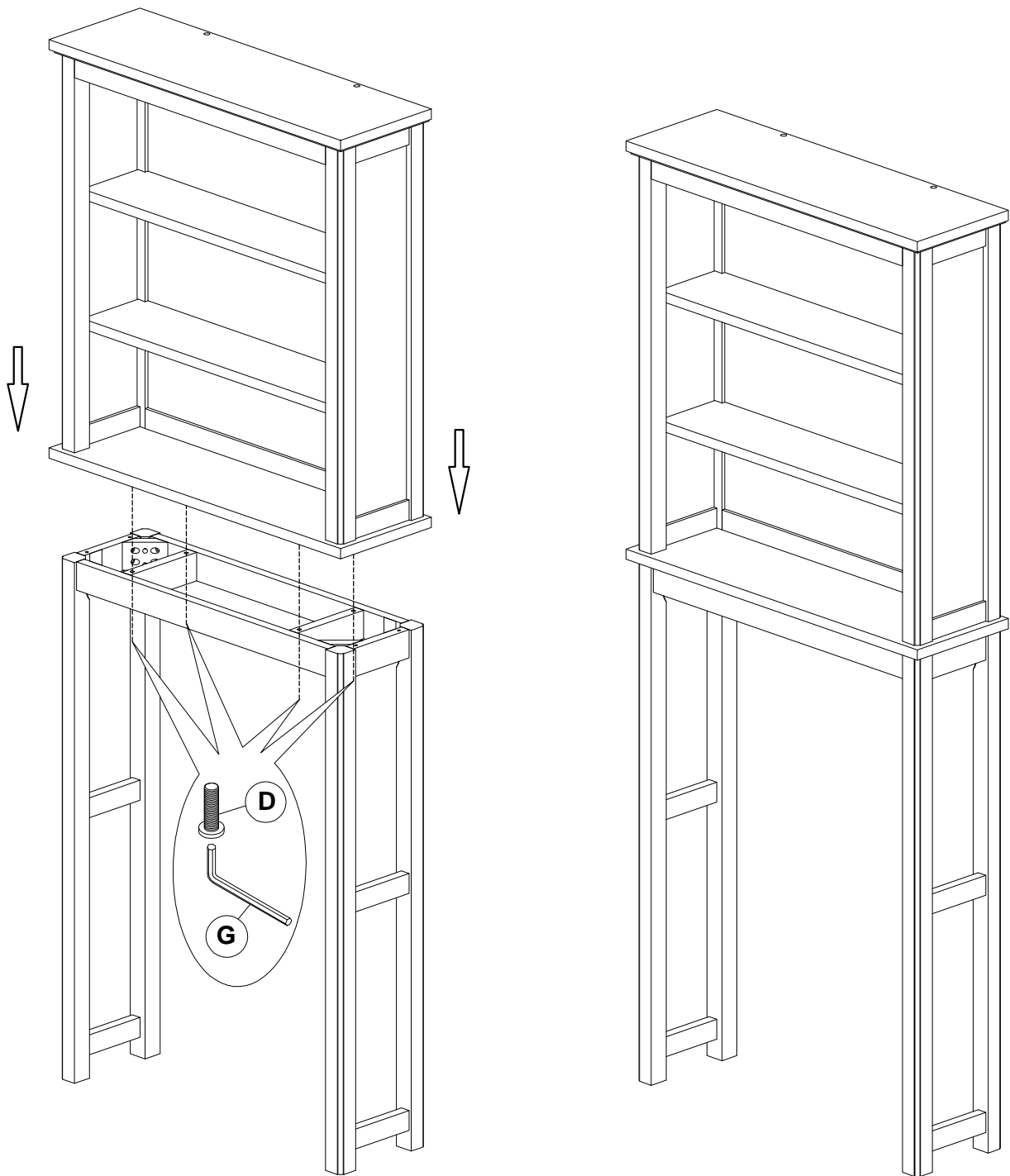
Step 4

Insert 8-Shelf Clips (F) in Holes on Side Frames. Set Shelves (B) on Shelf Clips (F).



Step 5

Attach Toilet Hutch (A) on Toilet Base using 4-M6x45MM Hex Bolts (D). NOTE: TIGHTEN ALL BOLTS AT THIS TIME !



CARE

Clean with a non abrasive cloth using a mild soap. Make sure to wipe dry.

IF YOU WANT TO HANG ON THE WALL

Step 1

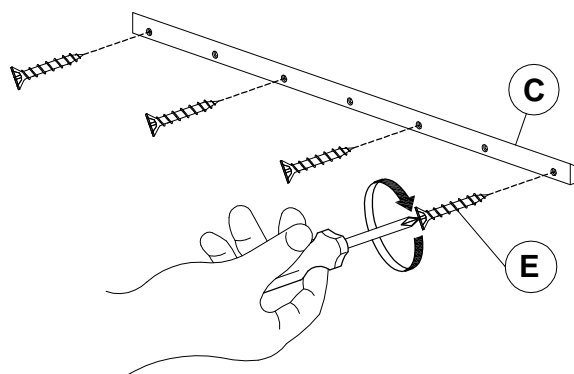
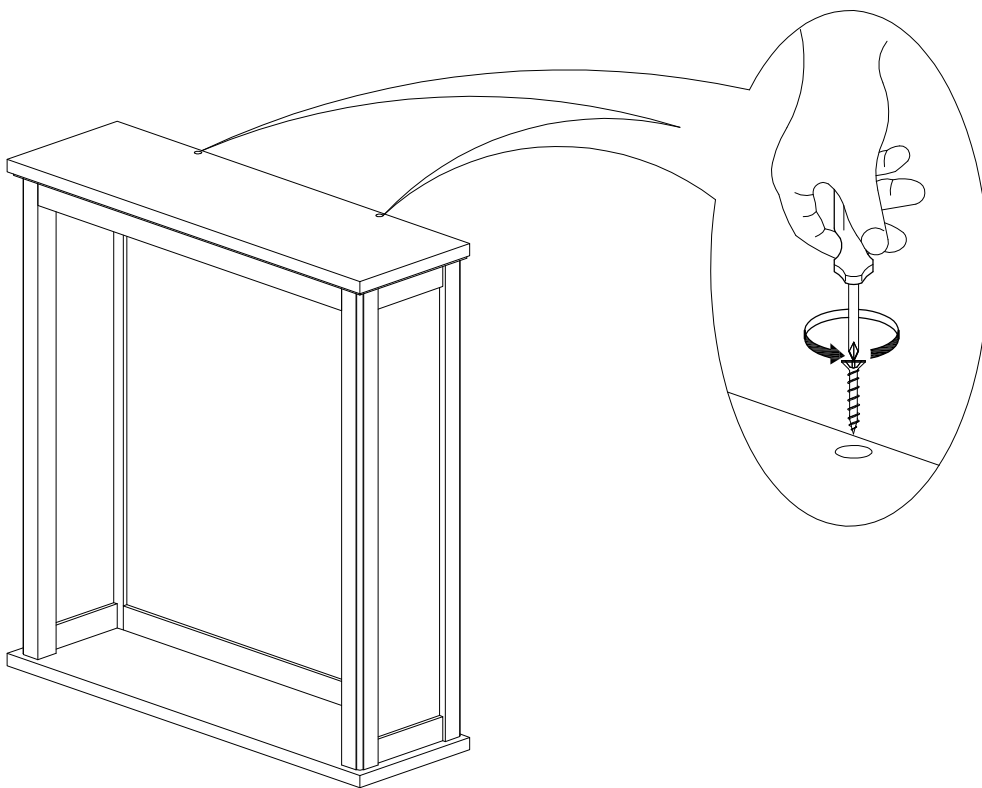
Read through these instructions thoroughly before beginning assembly. We have found this to be of great value when assembling this product.

Step 2

Remove all parts and hardware from packing material. Wooden pieces should be placed on a non abrasive surface to prevent damage to the finish

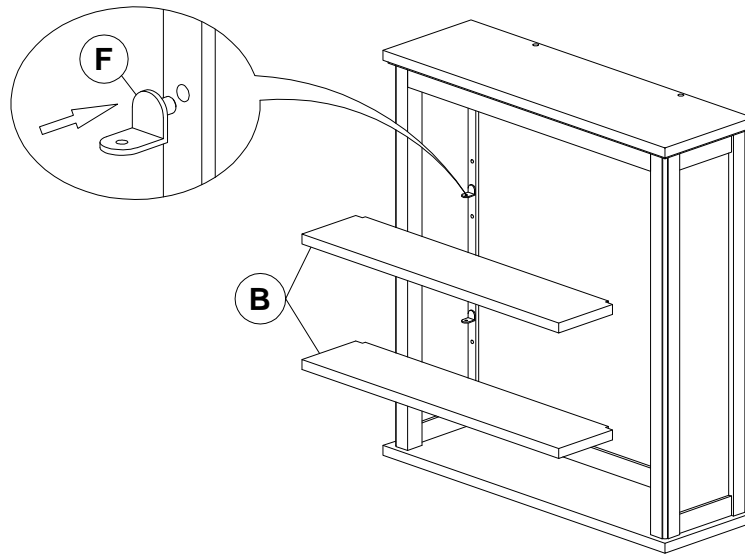
Step 3

Remove the French Cleat (C) from the back of the Toilet Hutch (A) by unscrewing 2 pre-installed Wood Screws (E). Locate studs behind drywall in desired location. Attach French Cleat (C) to Wall Studs in at least 2 locations with Wood Screws (E)



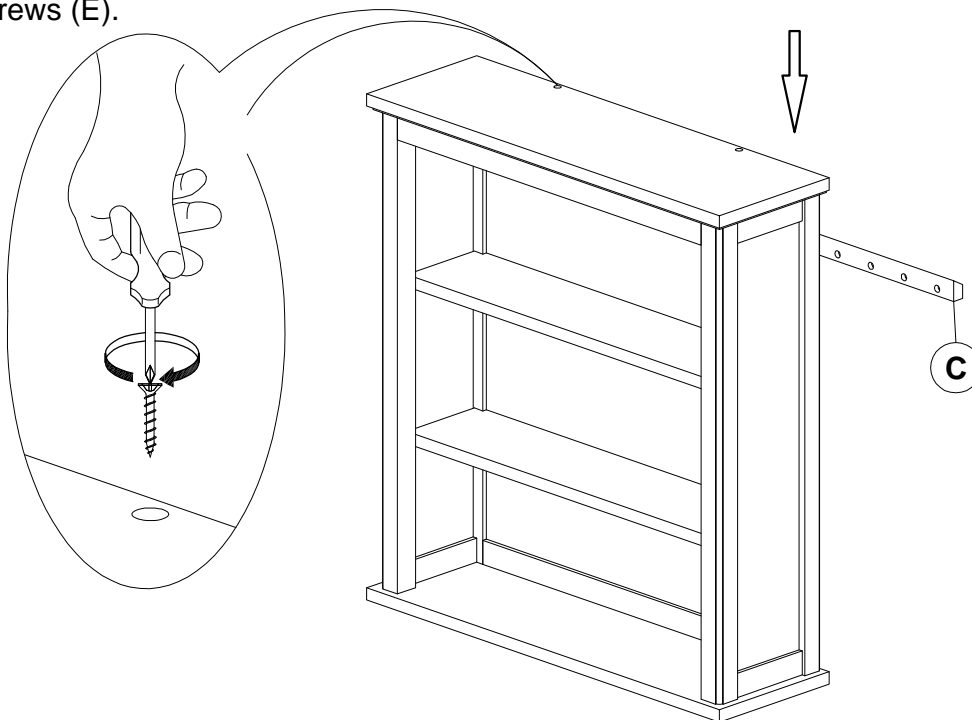
Step 4

Insert 8-Shelf Clips (F) in Holes on Side Frames at desired location. Place Shelves (B) on Shelf Clips (F).



Step 5

Set Toilet Hutch (A) on French Cleat (C). Secure Toilet hutch (A) to French Cleat (C) by installing 2 Wood Screws (E).



CARE

Clean with a non abrasive cloth using a mild soap. Make sure to wipe dry.
