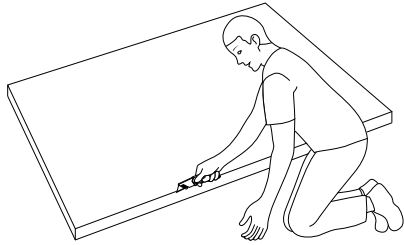
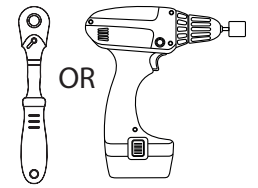


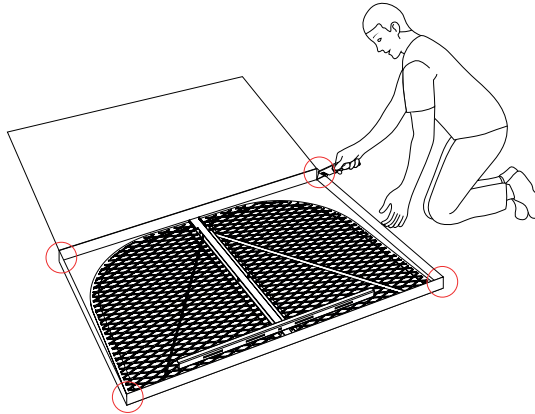
EASY ASSEMBLY

Goes together in minutes

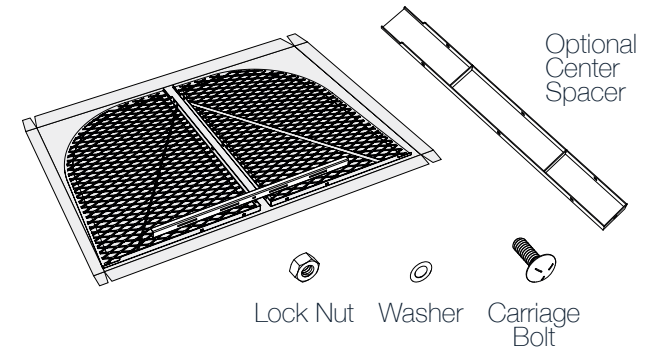
TOOLS NEEDED



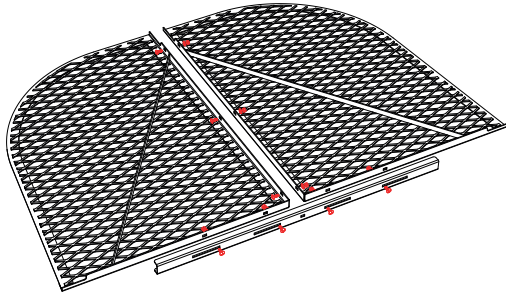
Cut open box with a razor knife



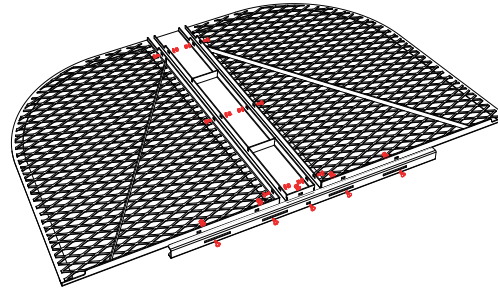
Cut corners of box so it lays flat



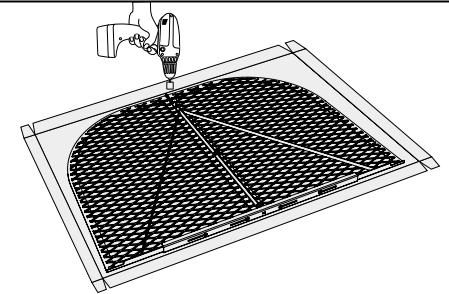
Identify cover pieces and hardware



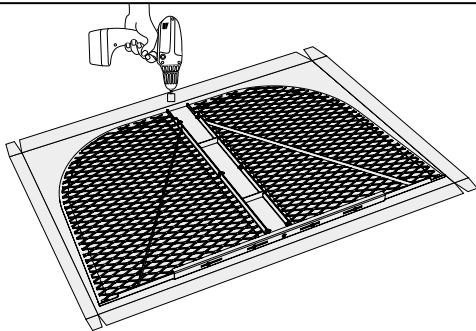
Align parts, slide carriage bolt through holes add washer and then lock nut. Hand tighten **ONLY**



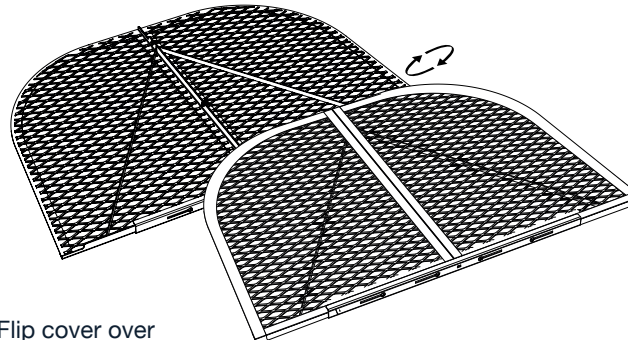
Align parts with optional spacer, slide carriage bolt through holes add washer and then lock nut. Hand tighten **ONLY**



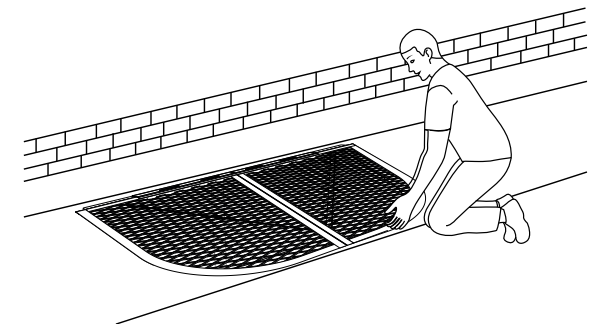
Once everything is hand tightened and aligned tighten with nut driver or hand wrench



Once everything is hand tightened and aligned tighten with nut driver or hand wrench



Flip cover over



Place over window well.