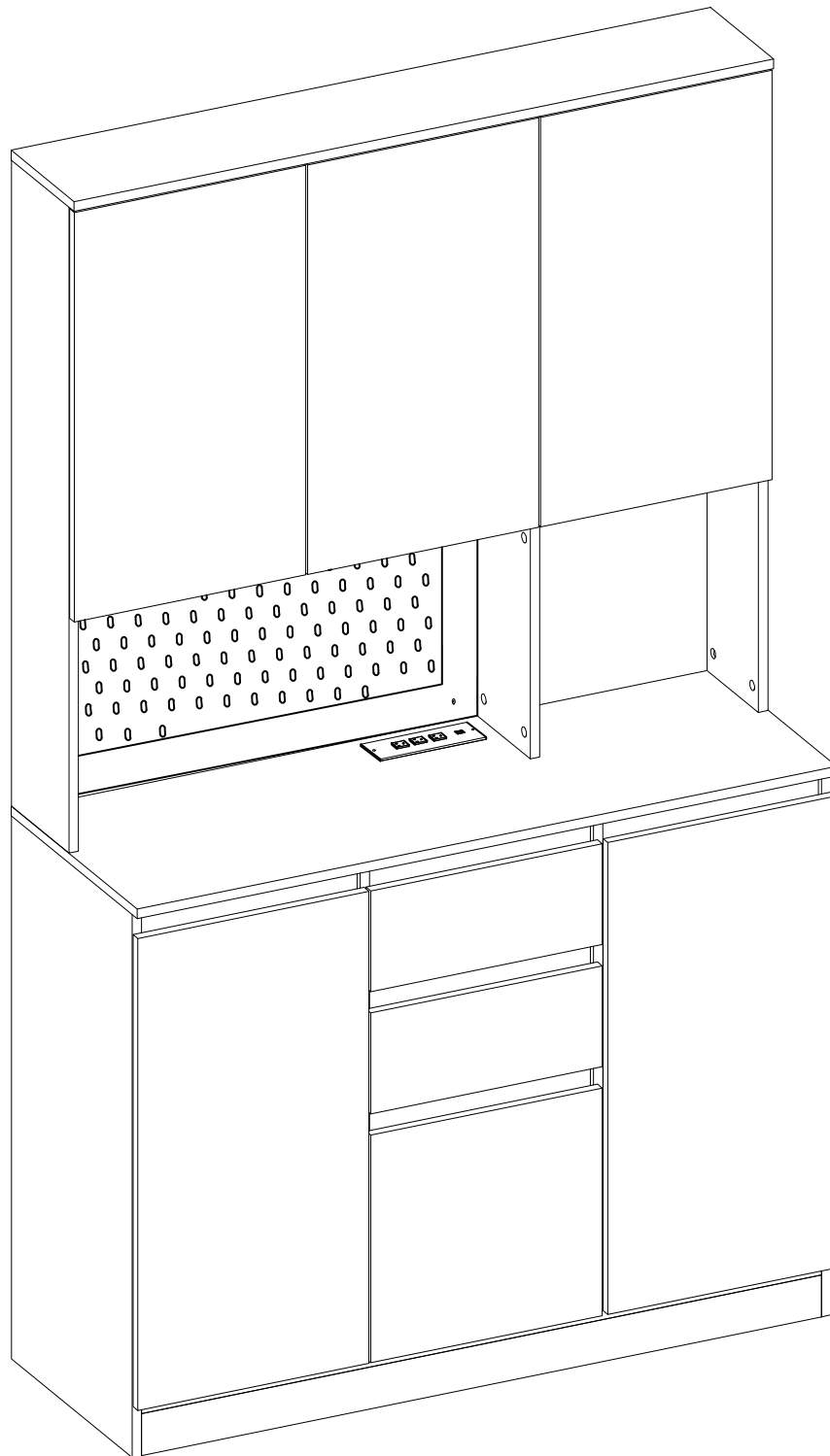
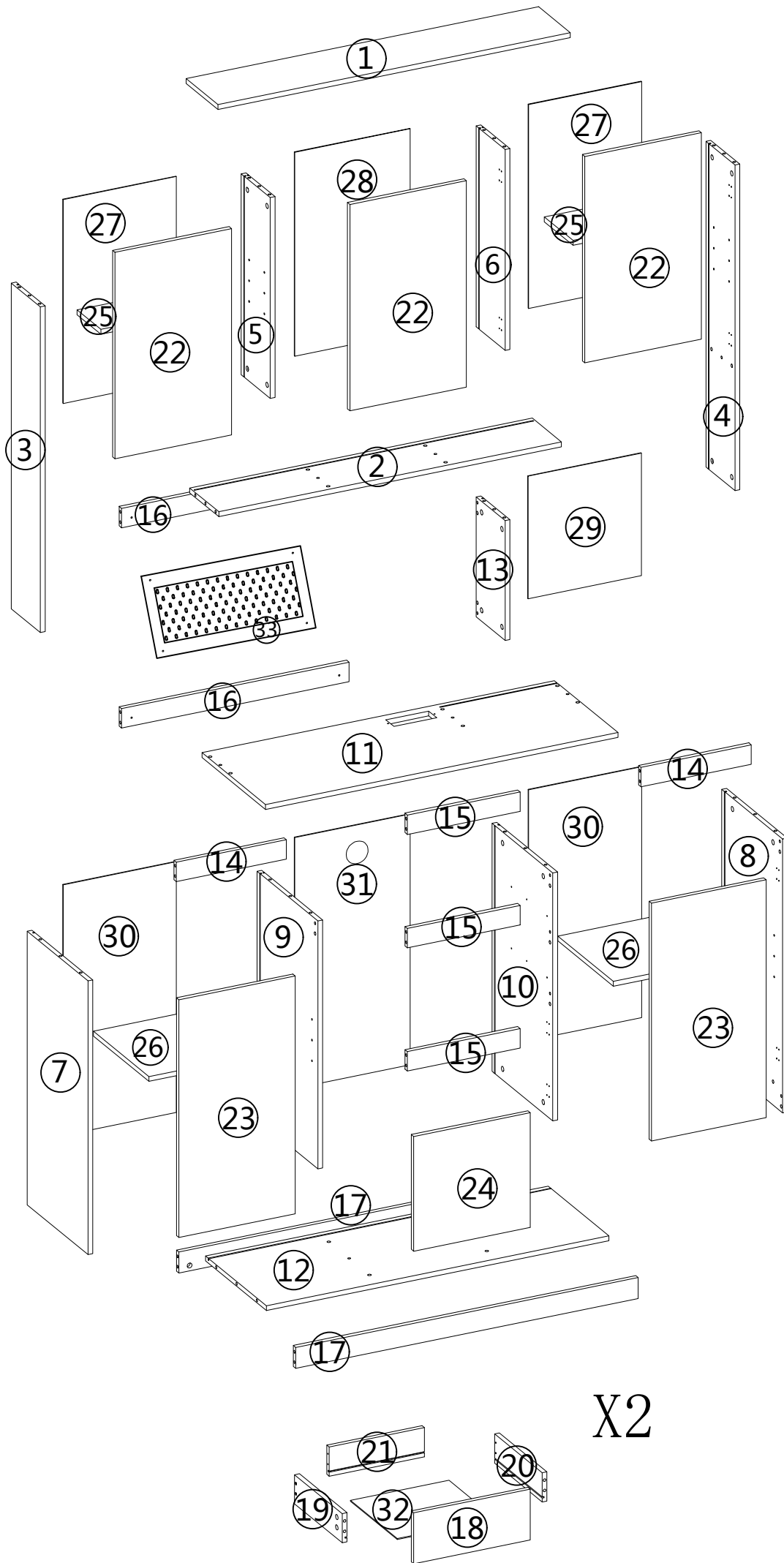


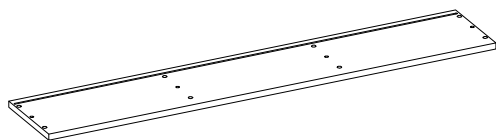
Installation & Assembly





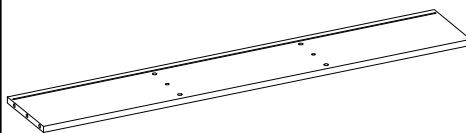
X2

1



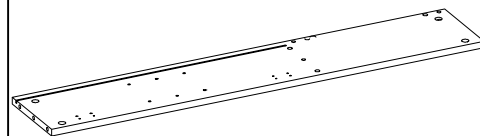
1100*200*15mm 1 PC

2



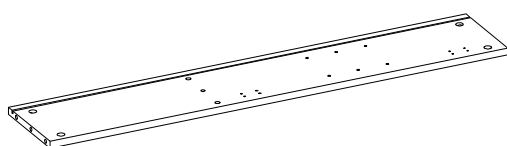
1079*183*15mm 1 PC

3



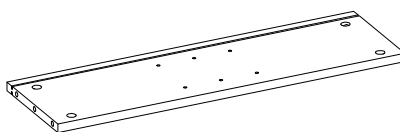
1005*183*15mm 1 PC

4



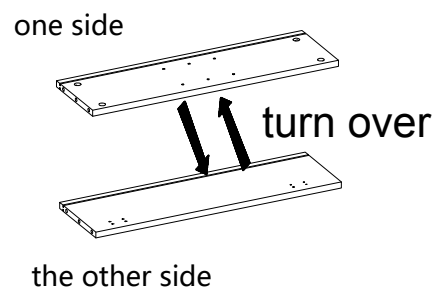
1005*183*15mm 1 PC

5



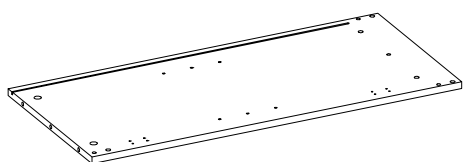
620*183*15mm 1 PC

6



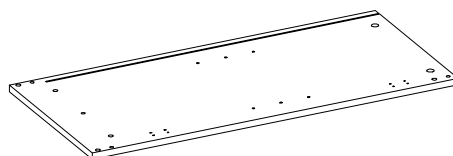
620*183*15mm 1 PC

7



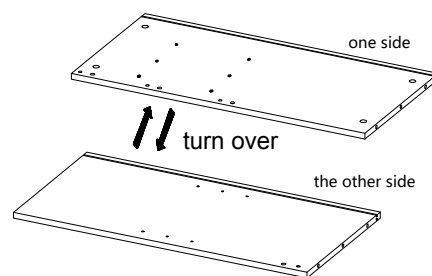
845*383*15mm 1 PC

8



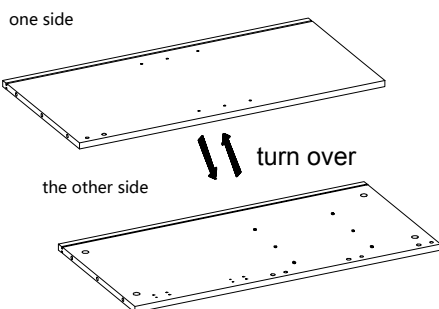
845*383*15mm 1 PC

9



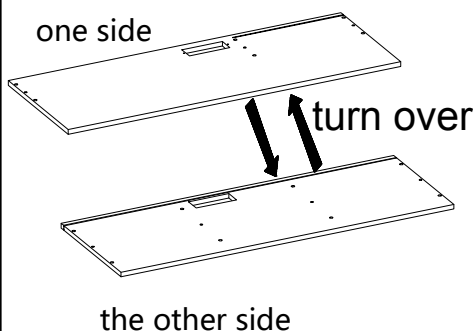
765*383*15mm 1 PC

10



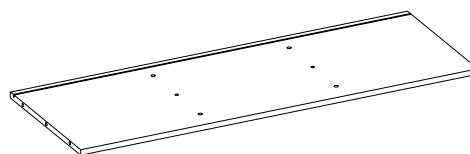
765*383*15mm 1 PC

11



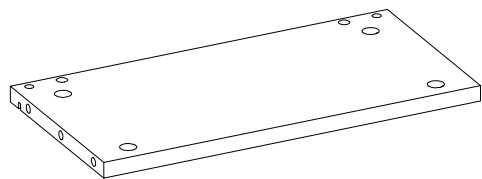
1110*400*15mm 1 PC

12



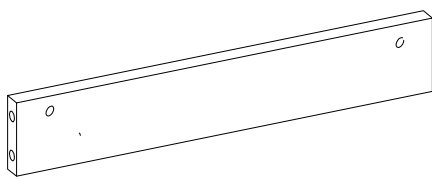
1079*383*15mm 1 PC

13



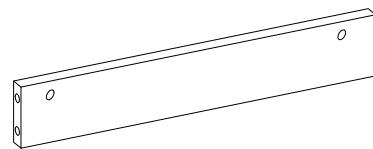
370*183*15mm 1 PC

14



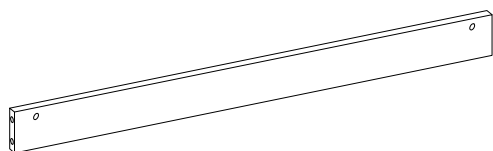
347*60*15mm 2 PCS

15



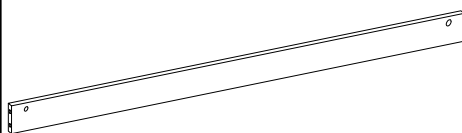
355*60*15mm 3 PCS

16



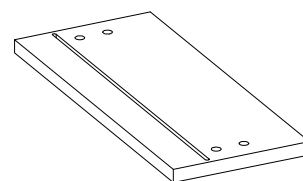
717*60*15mm 2 PCS

17



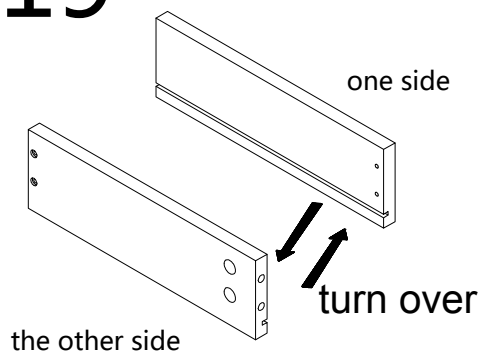
1079*65*15mm 2 PCS

18



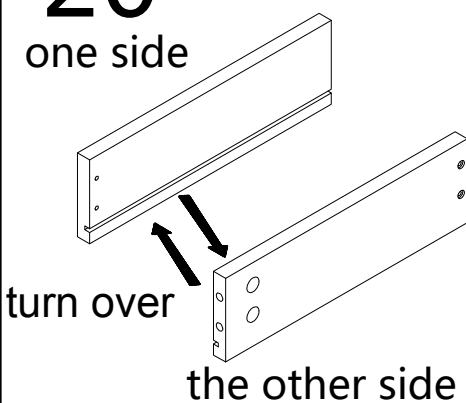
157*367*15mm 2 PCS

19



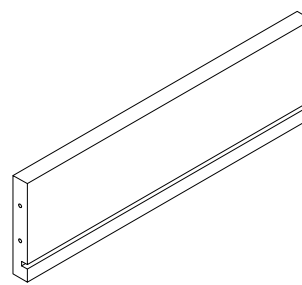
300*90*15mm 2 PCS

20



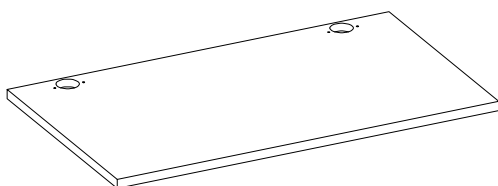
300*90*15mm 2 PCS

21



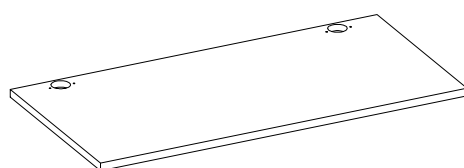
300*90*15mm 2 PCS

22



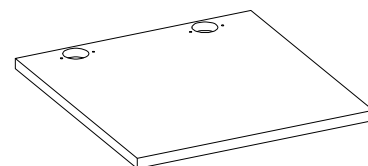
637*367*15mm 3 PCS

23



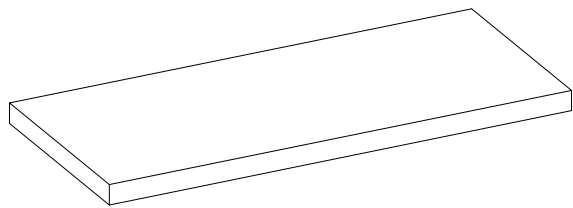
734*367*15mm 2 PCS

24



354*367*15mm 1 PC

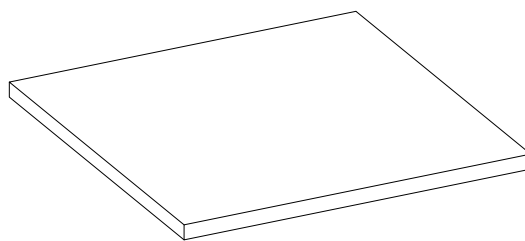
25



345*150*15mm

2 PCS

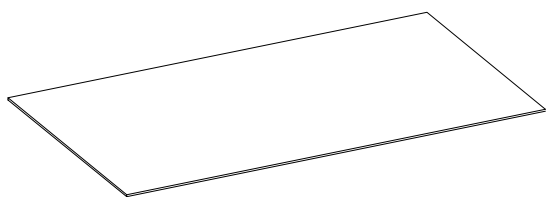
26



345*350*15mm

2 PCS

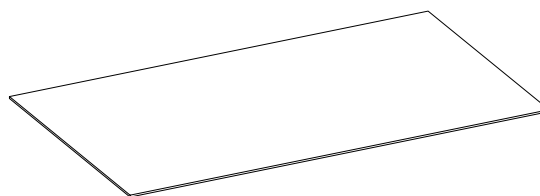
27



629*356*3mm

2 PCS

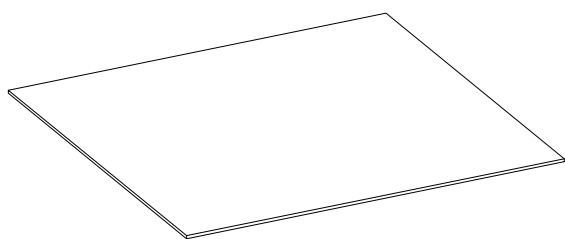
28



629*363*3mm

1 PC

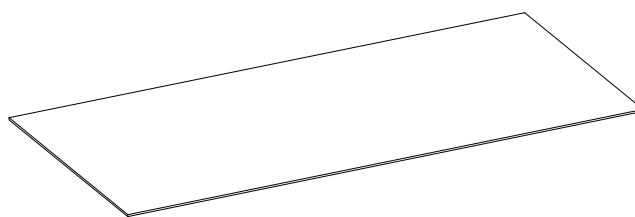
29



378*357*3mm

1 PC

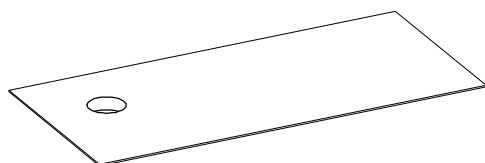
30



774*356*3mm

2 PCS

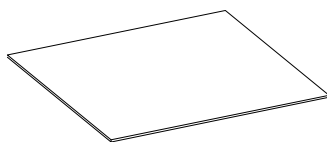
31



774*363*3mm

1 PC

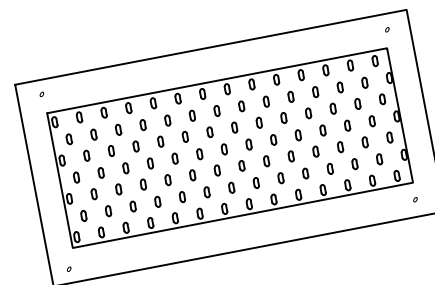
32



310*295*3mm

2 PCS

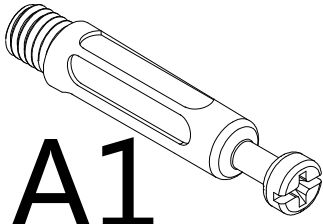
33



715*368*3mm

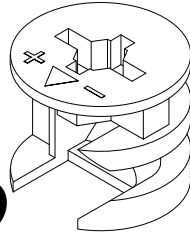
1 PC

A



A1

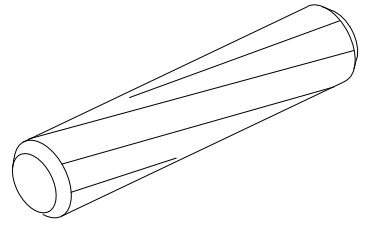
φ7*40mm



A2

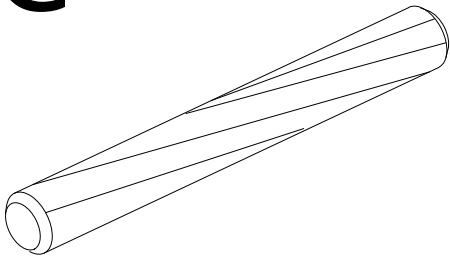
φ15*9.5mm 66PCS

B



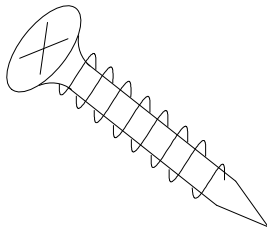
φ8*30mm 32PCS

C



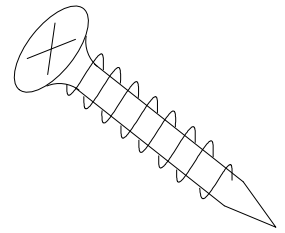
φ8*50mm 3PCS

D



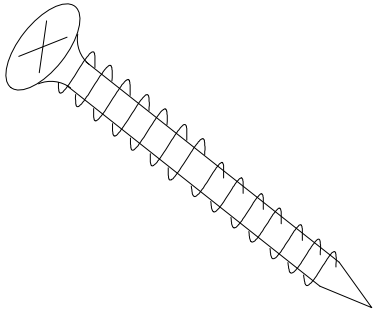
M3.5*14mm 124PCS

E



M3.5*14mm 4PCS

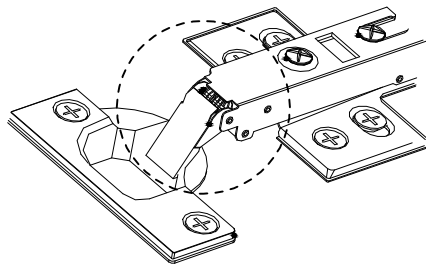
F



M3.5*35mm 8PCS

G

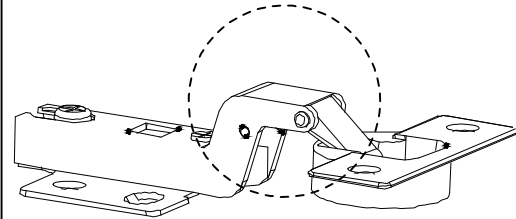
Full Overlay



φ35mm 8PCS

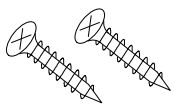
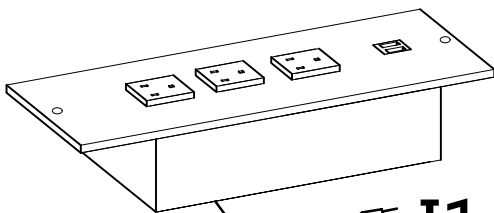
H

Half Overlay



φ35mm 4PCS

I



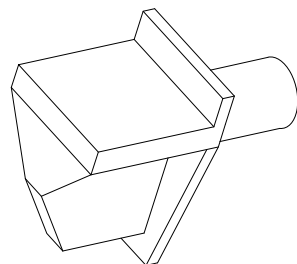
I2



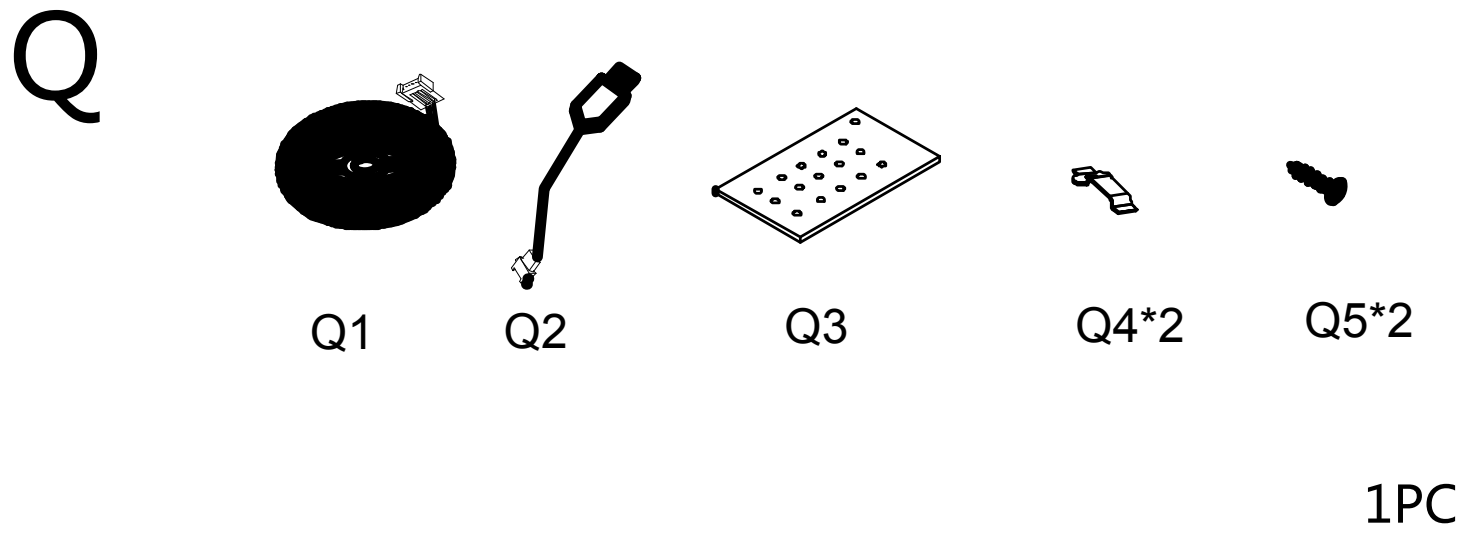
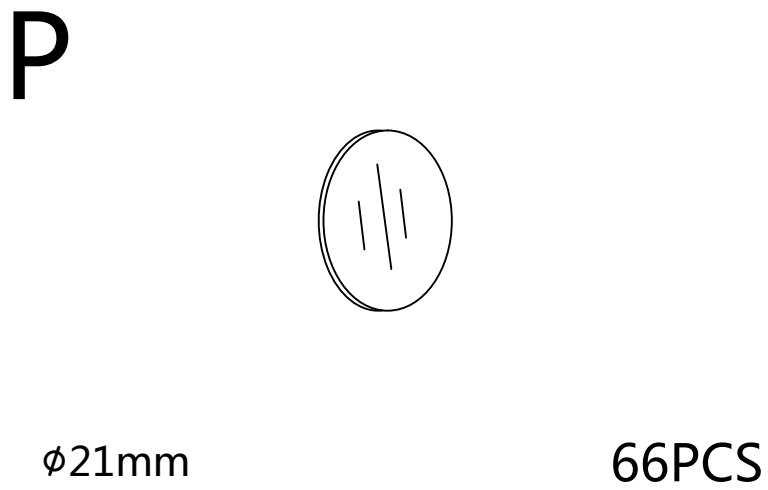
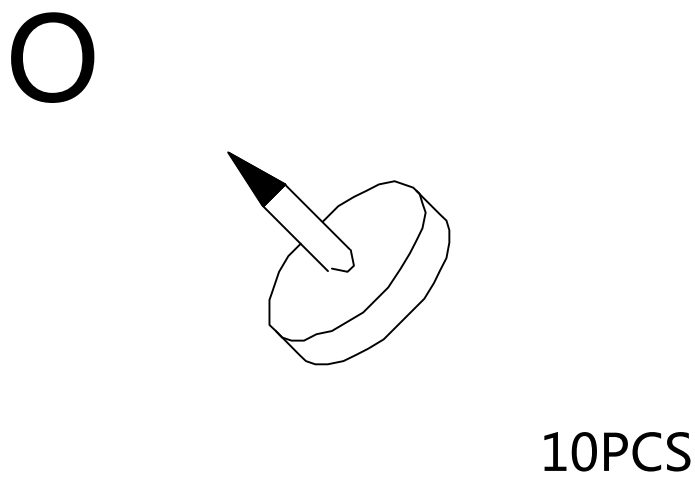
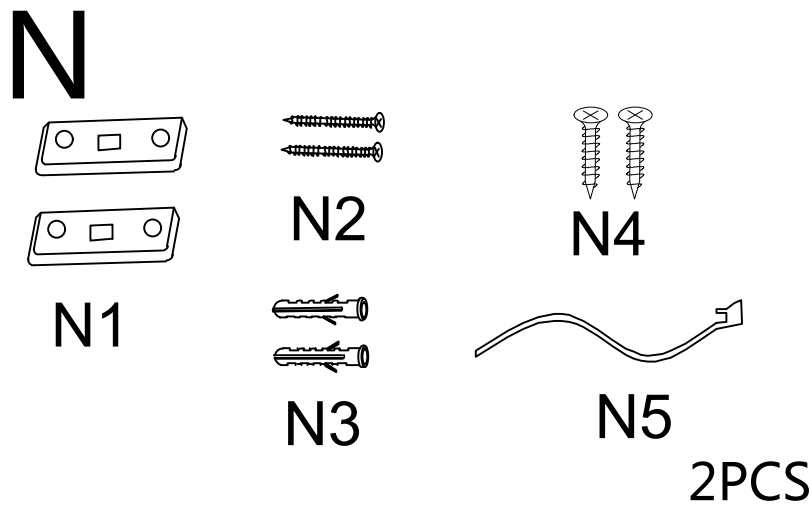
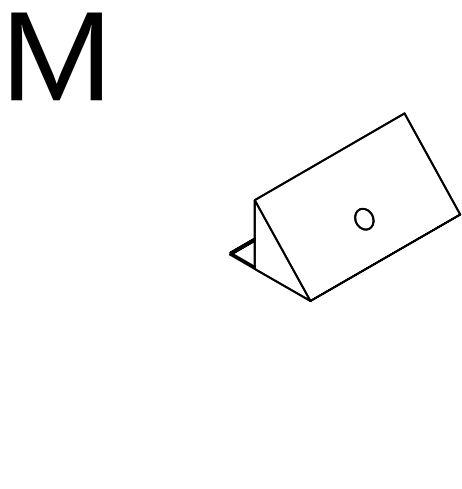
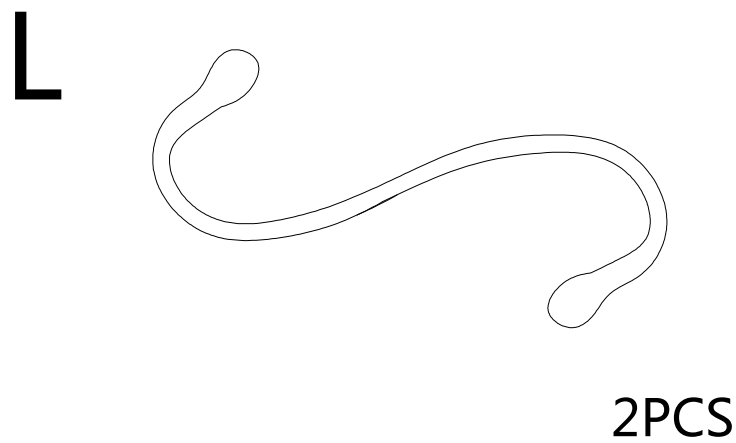
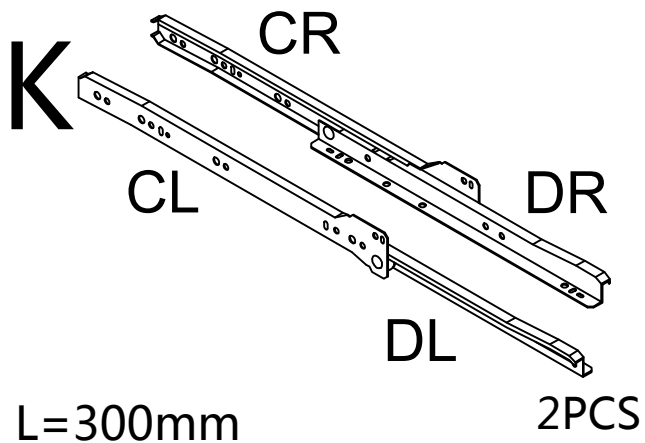
I1

1PC

J



16PCS

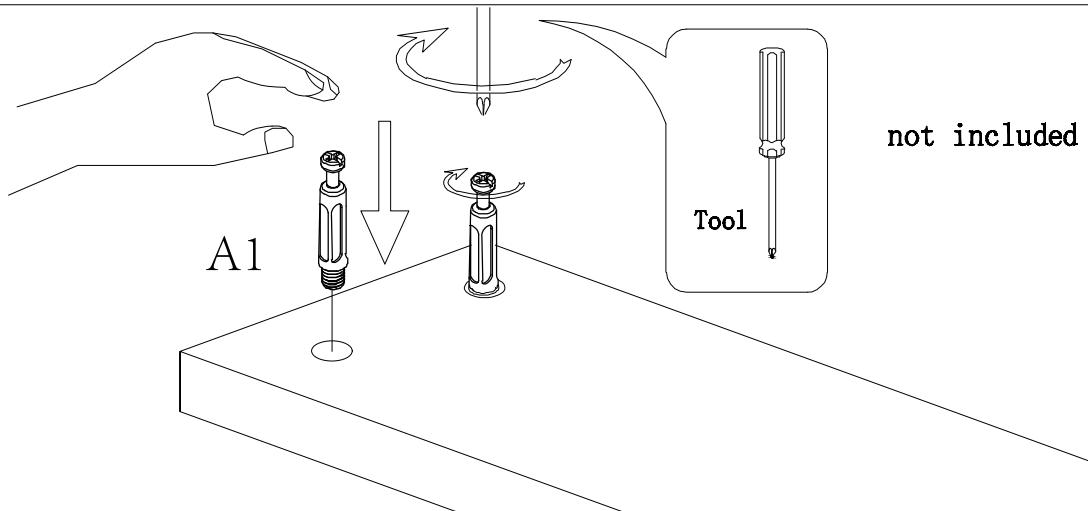


Hardware installation demonstration

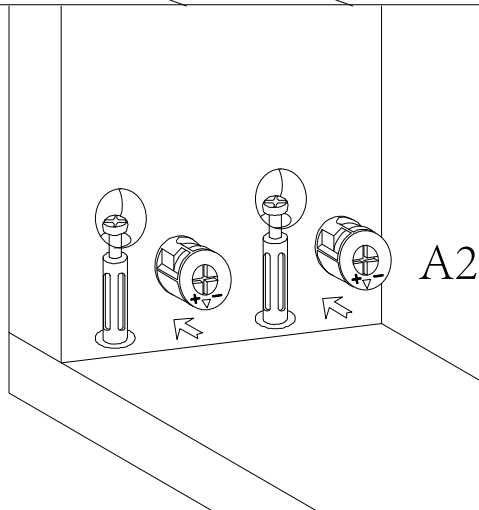


NOTE: Please make sure "A1" hardware tightened and can't be pulled out!

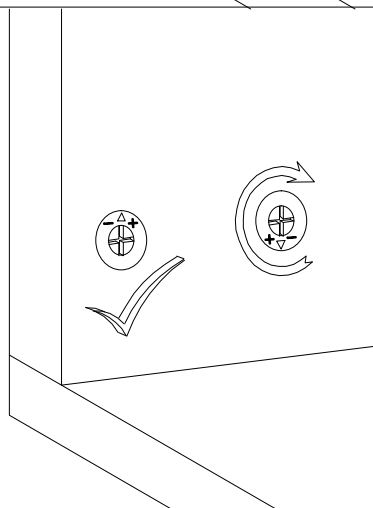
I



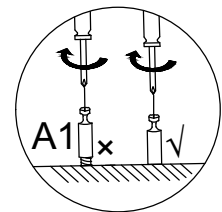
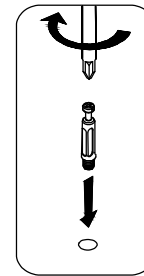
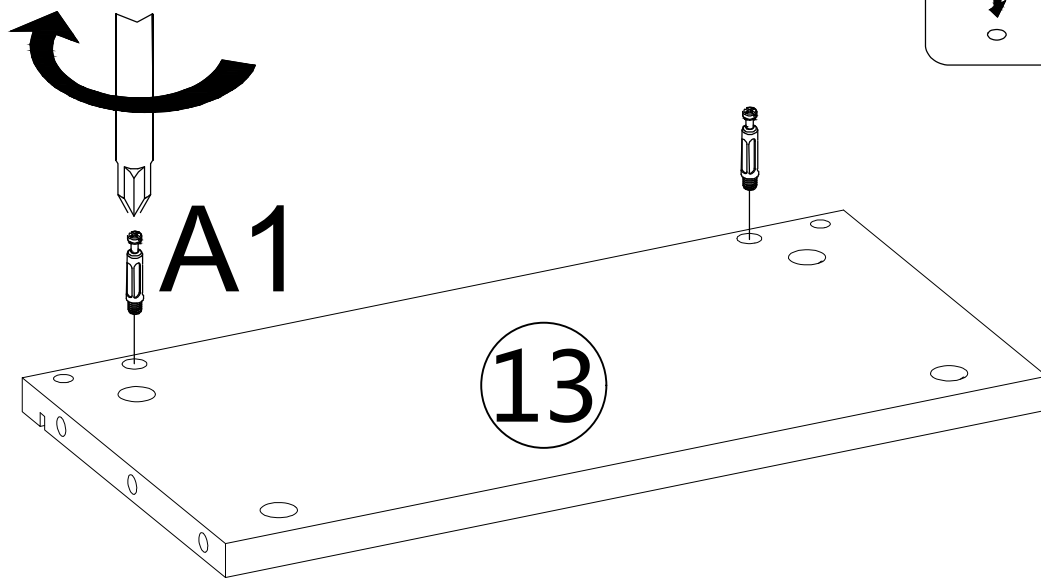
II




III

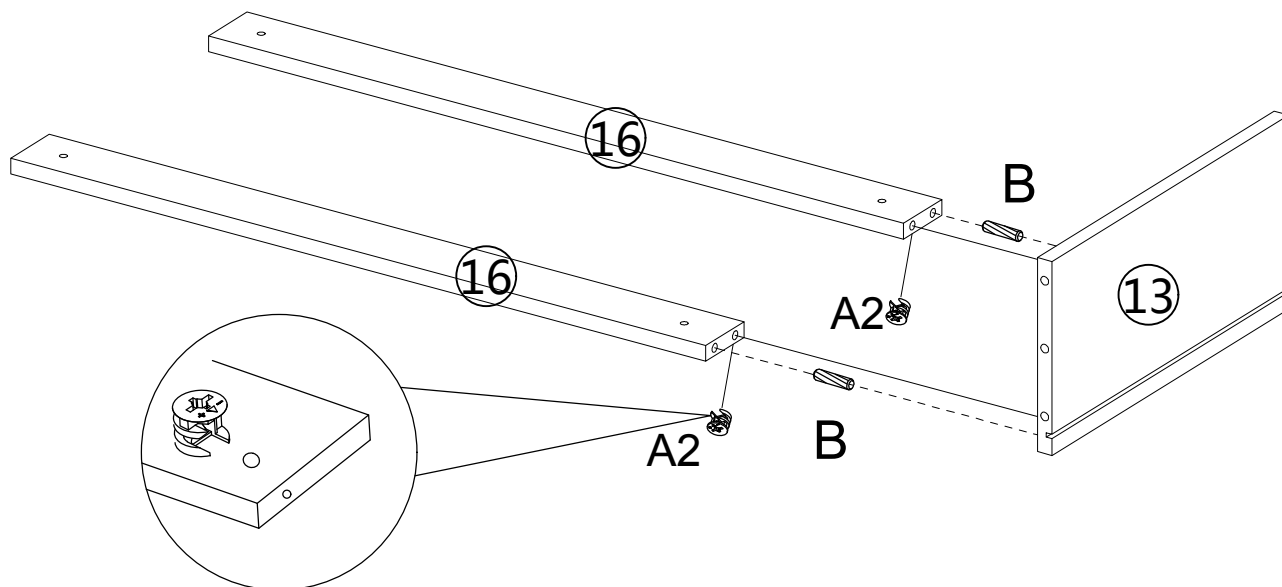




STEP 1



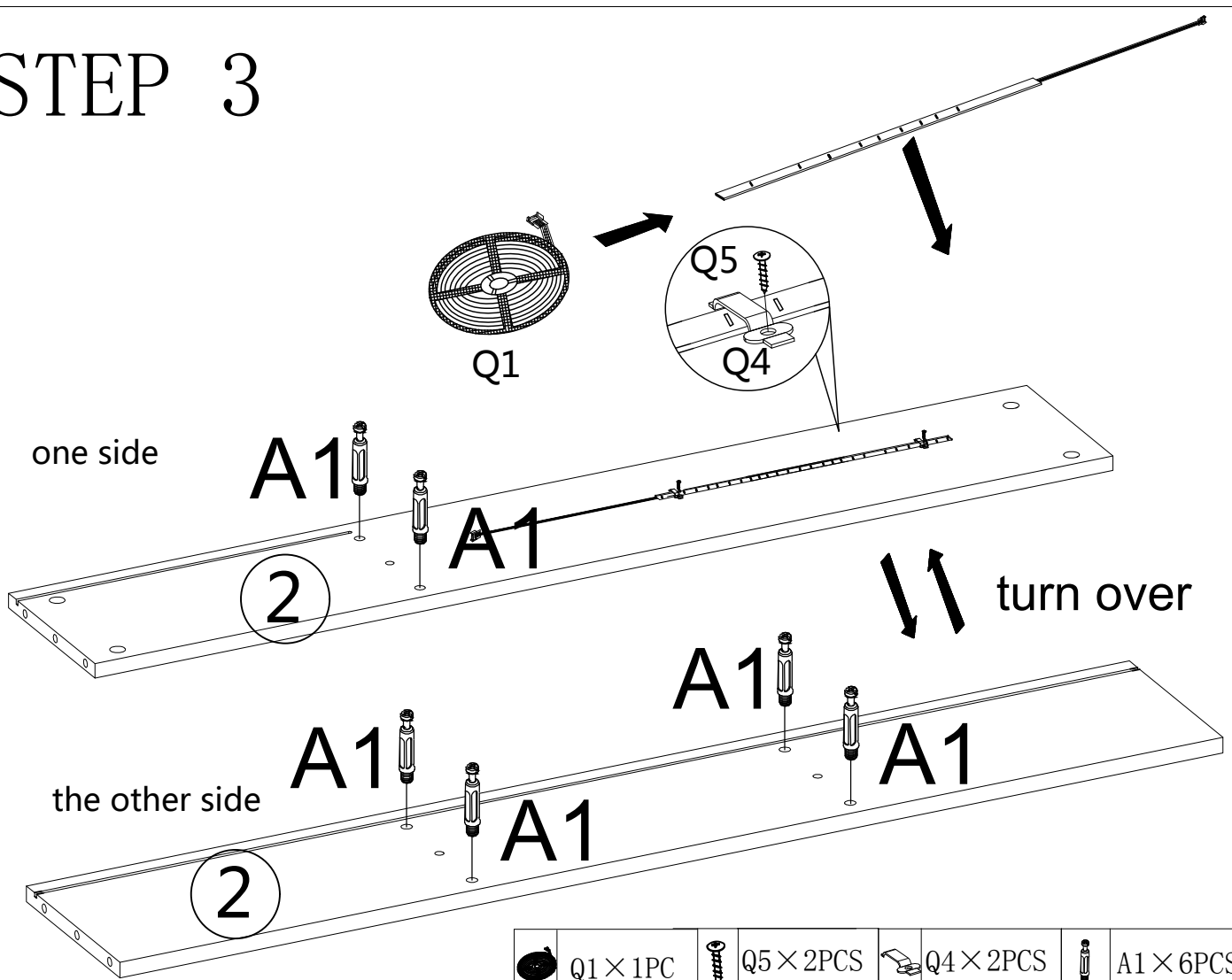
	A1 × 2PCS
---	-----------

STEP 2

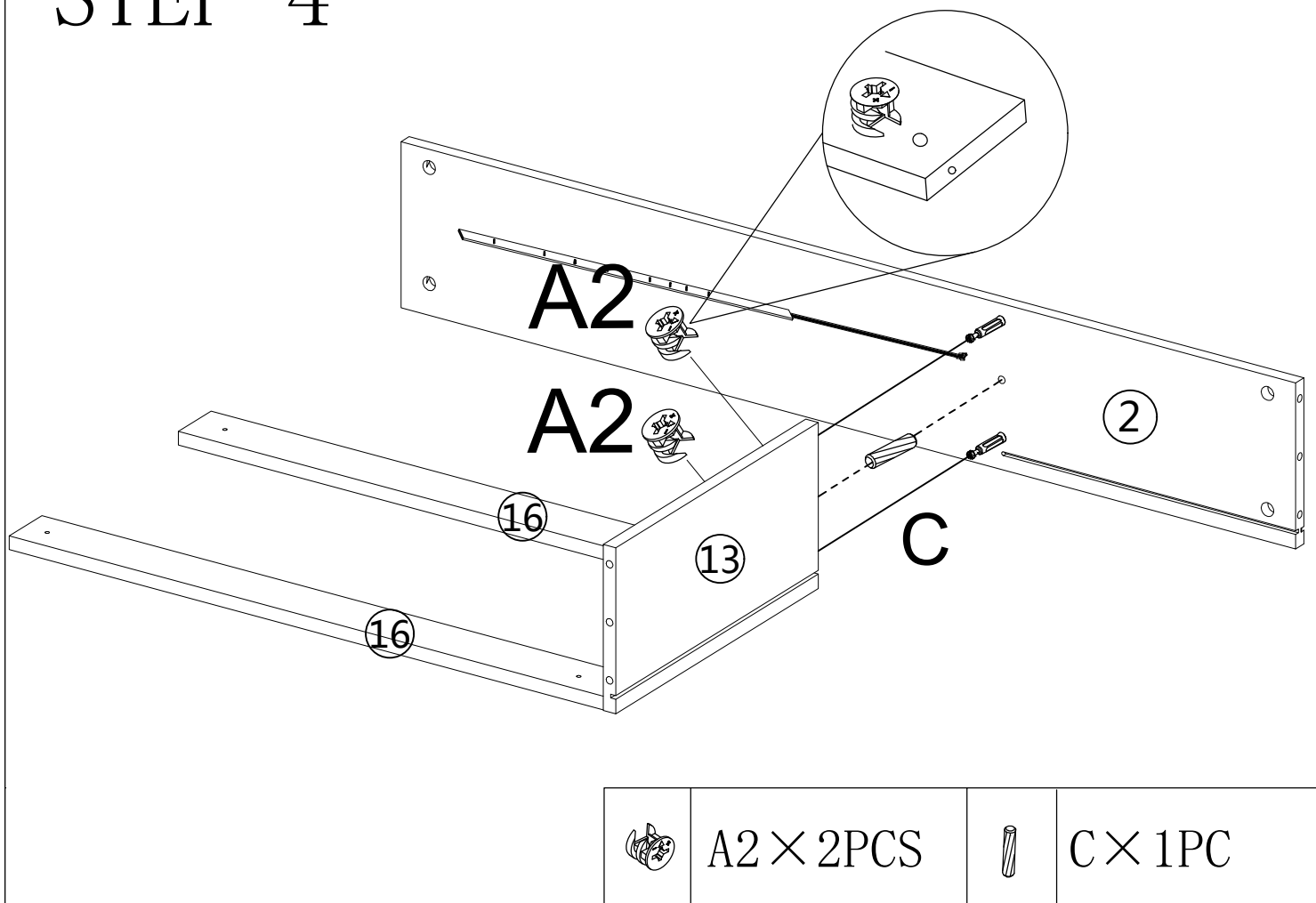


	A2 × 2PCS		B × 2PCS
---	-----------	---	----------

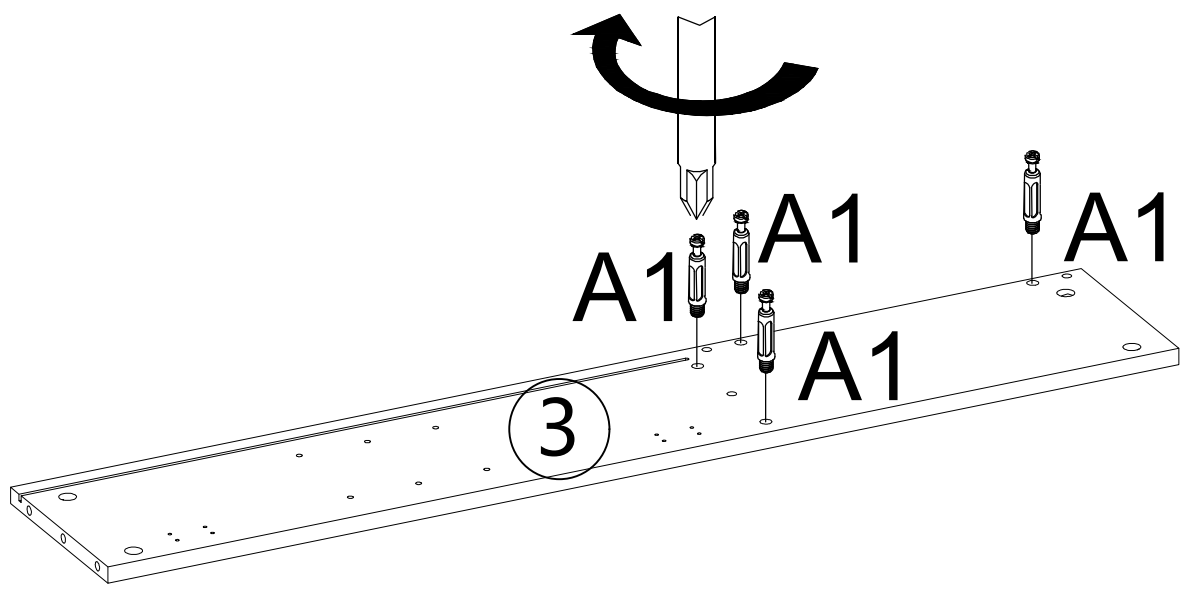
STEP 3




STEP 4

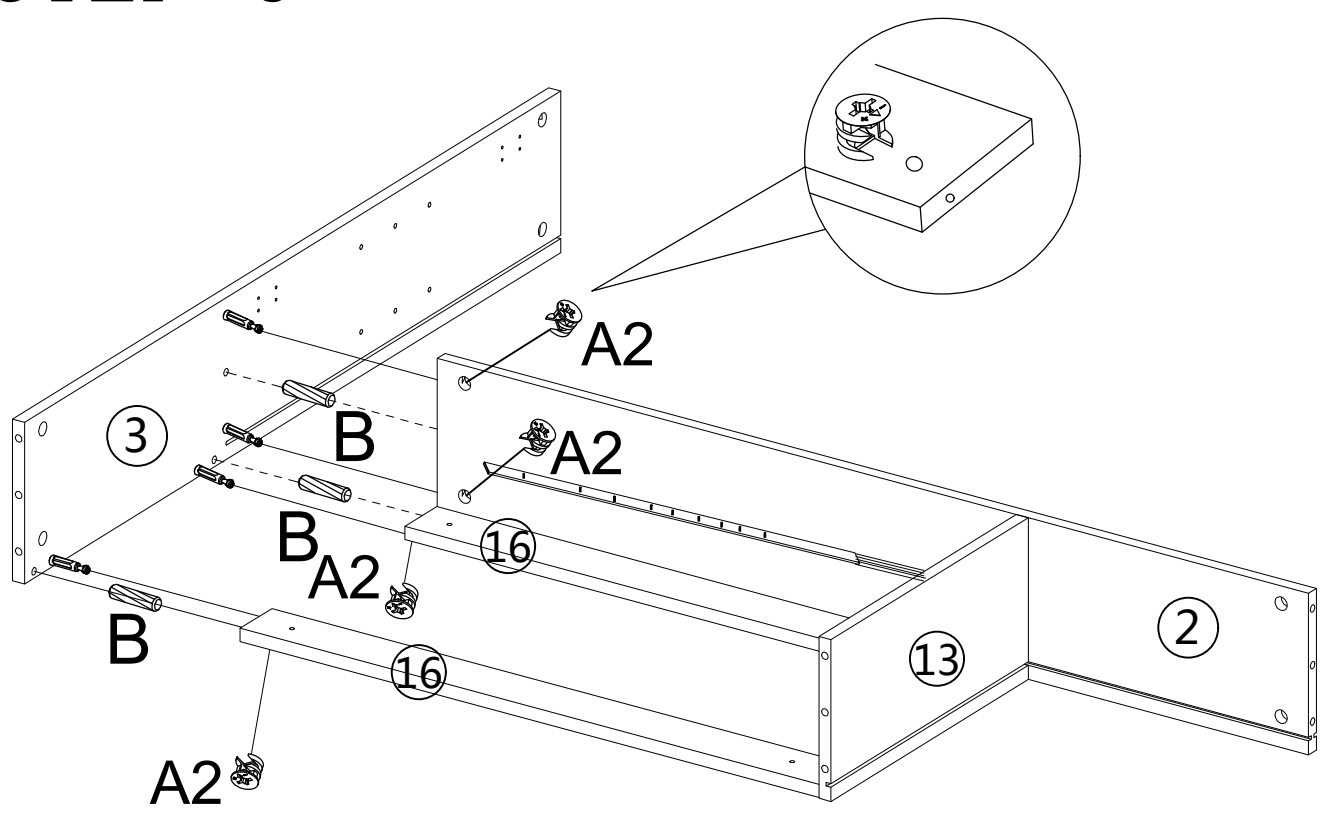




STEP 5



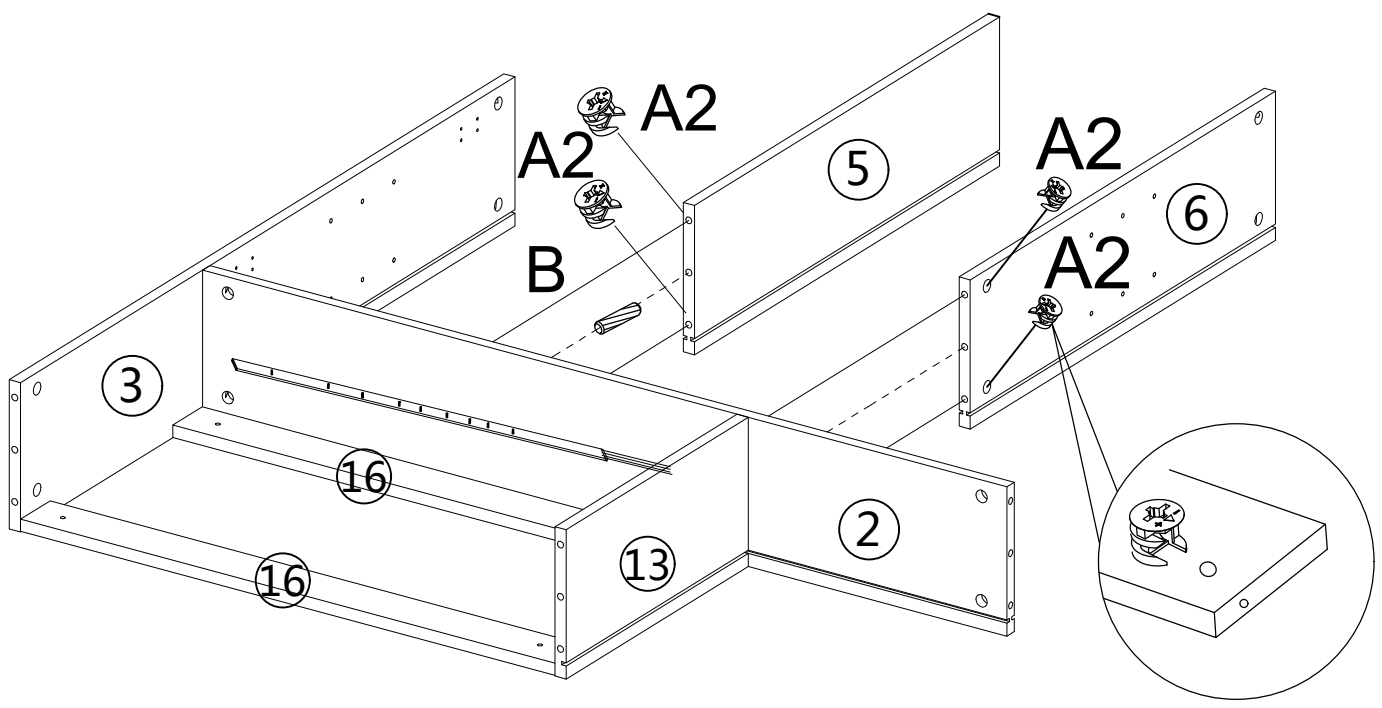
	A1 × 4PCS
--	-----------



STEP 6



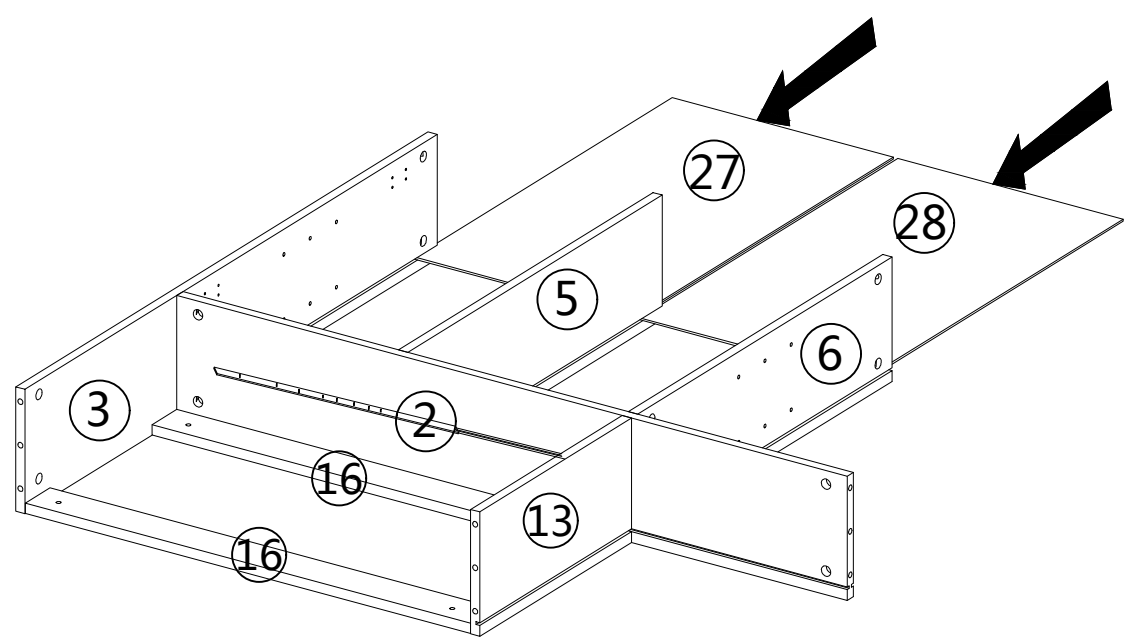
	A2 × 4PCS		B × 3PCS
---	-----------	---	----------

STEP 7

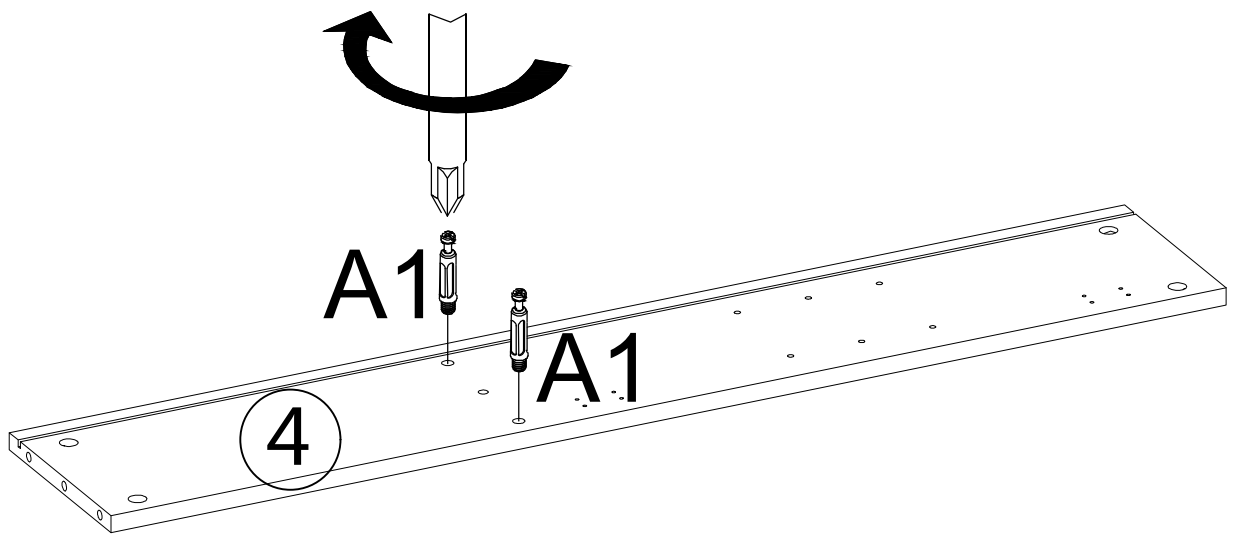



	A2 × 4PCS		B × 1PC
---	-----------	---	---------

STEP 8

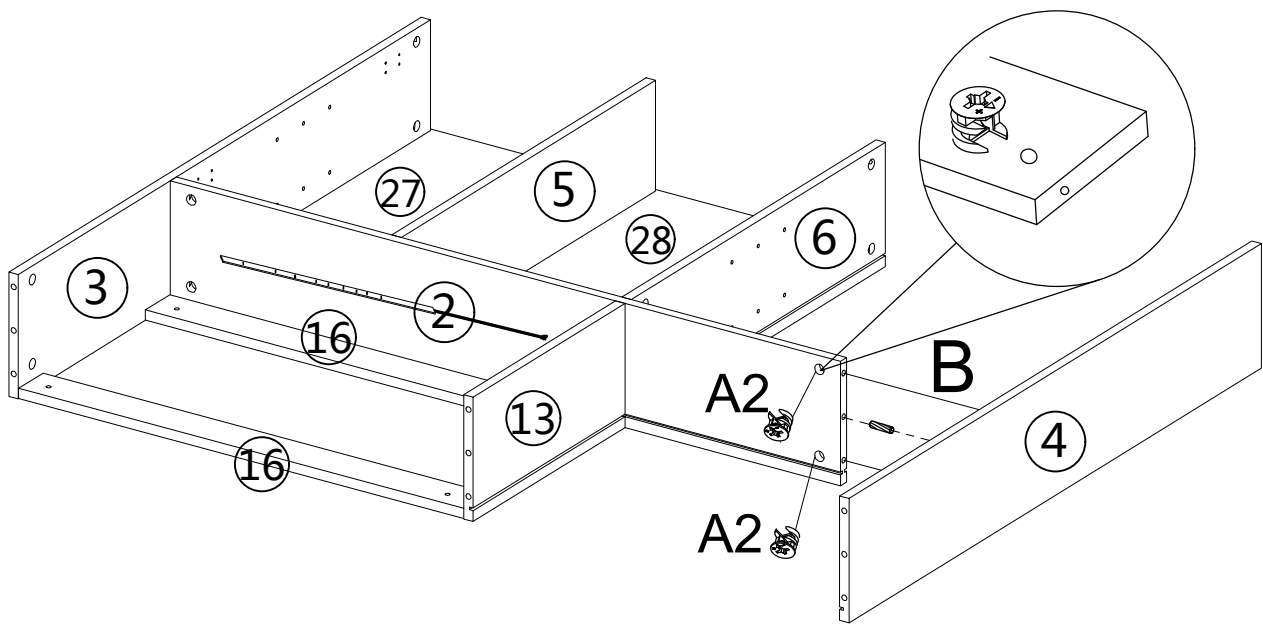




STEP 9



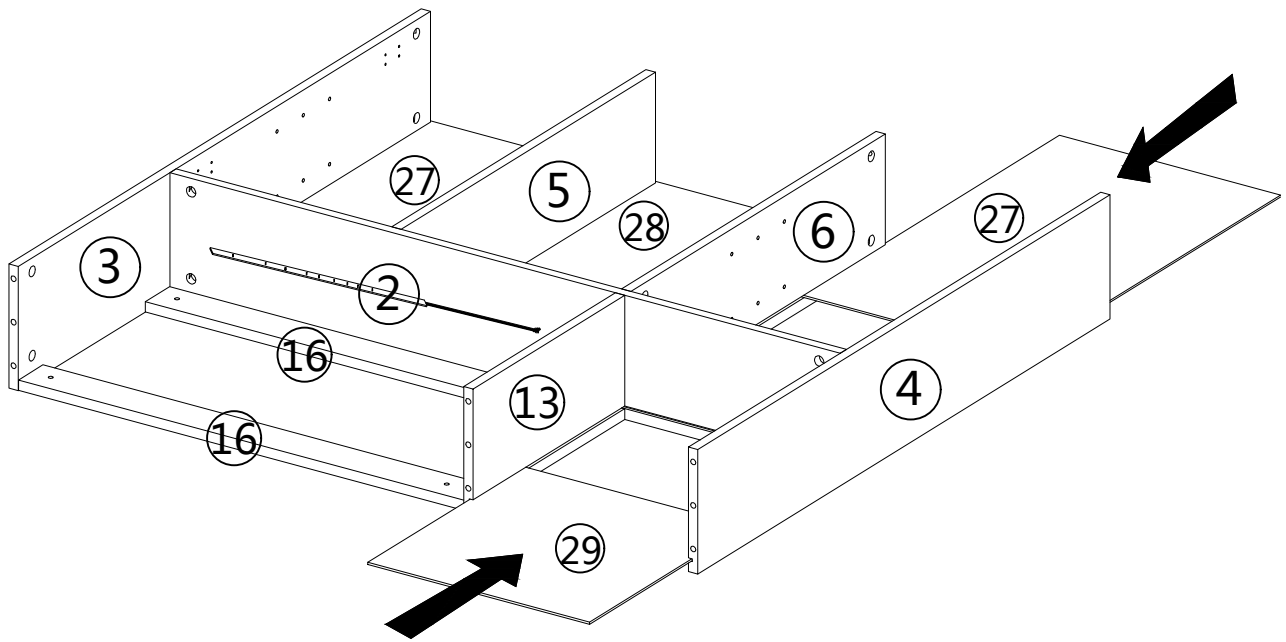
	A1 × 2PCS
---	-----------

STEP 10

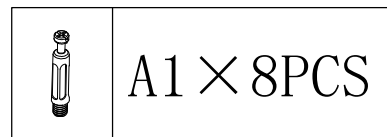
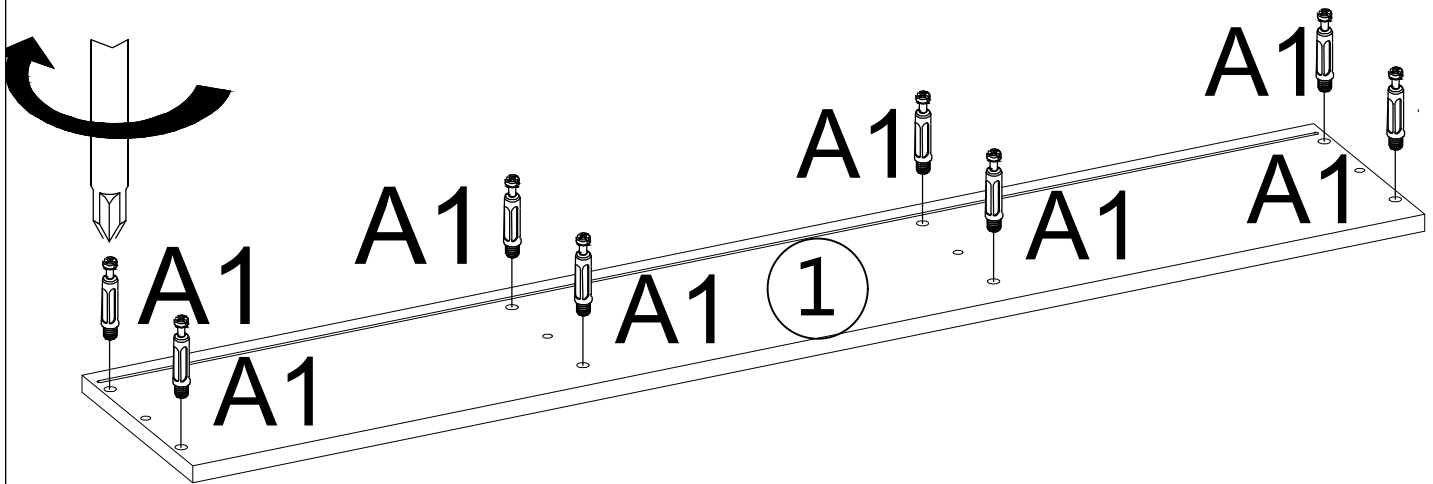


	A2 × 2PCS		B × 1PC
---	-----------	---	---------

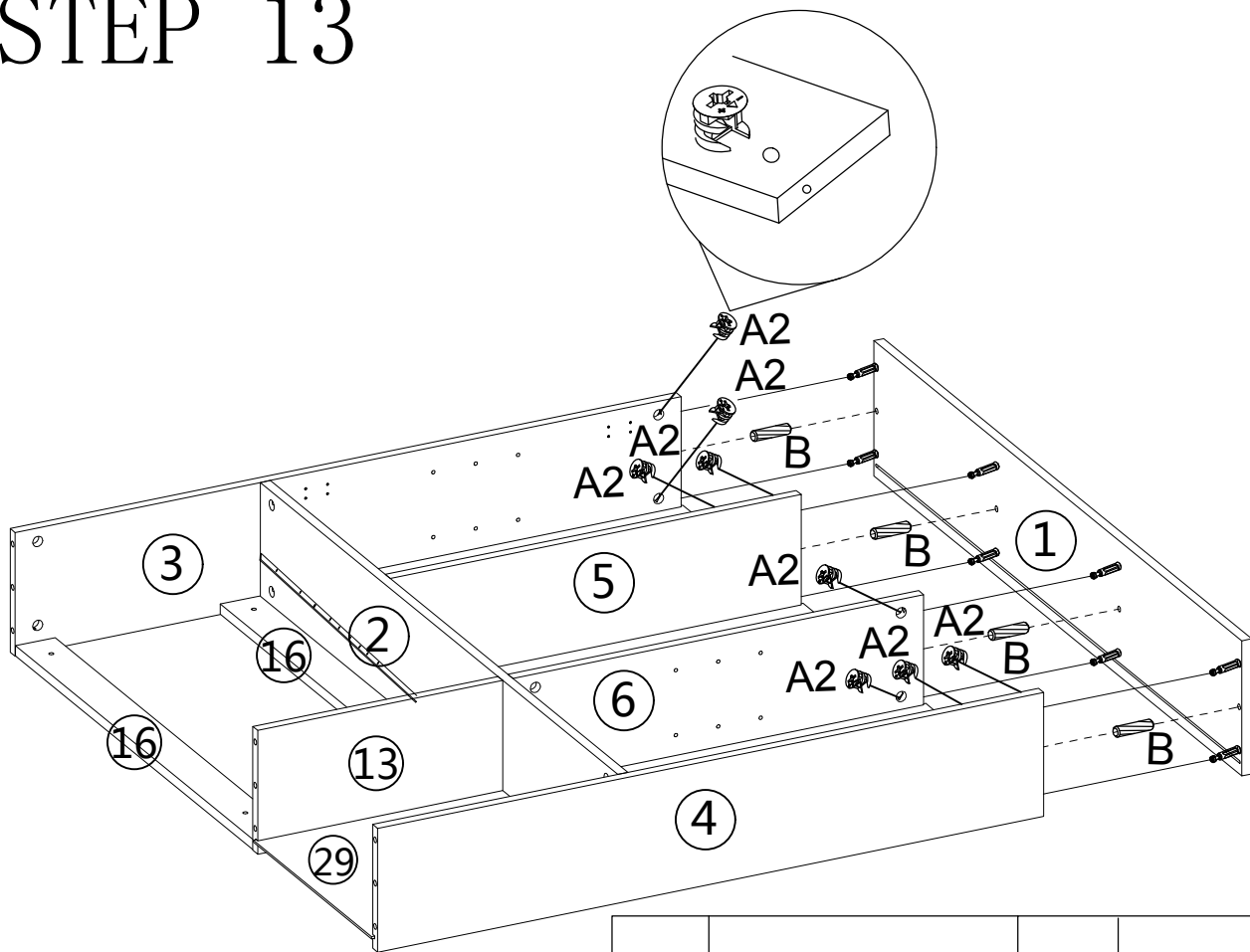
STEP 11



STEP 12

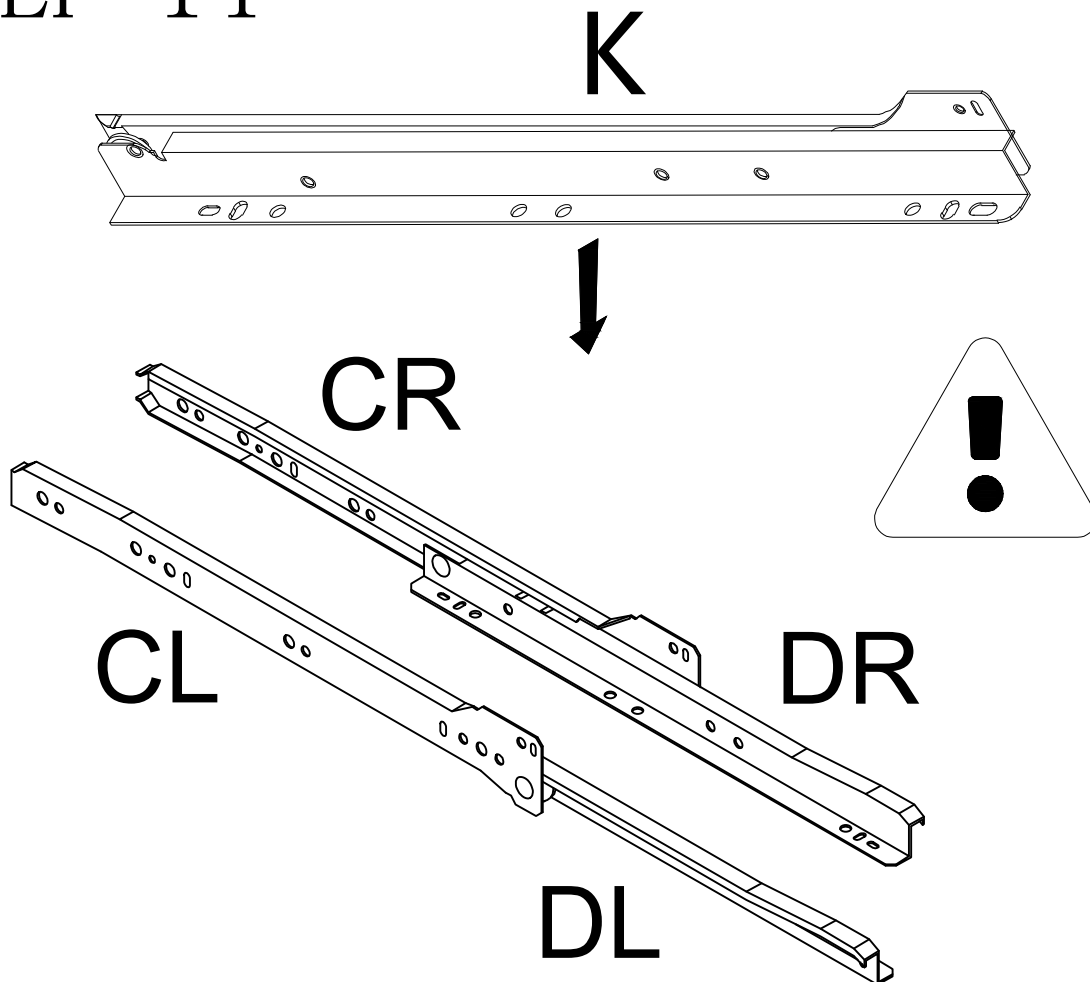


STEP 13

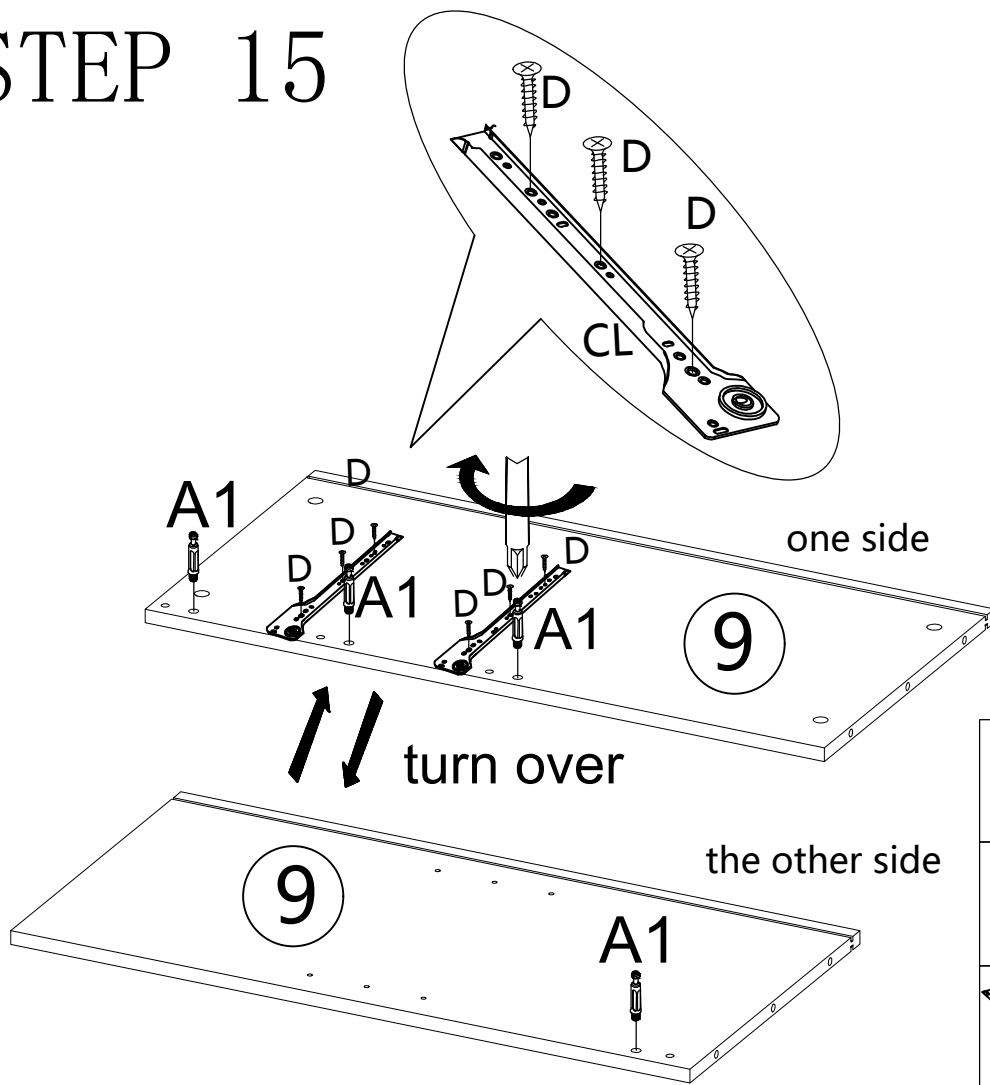





	A2 × 8PCS		B × 4PCS
---	-----------	---	----------

STEP 14

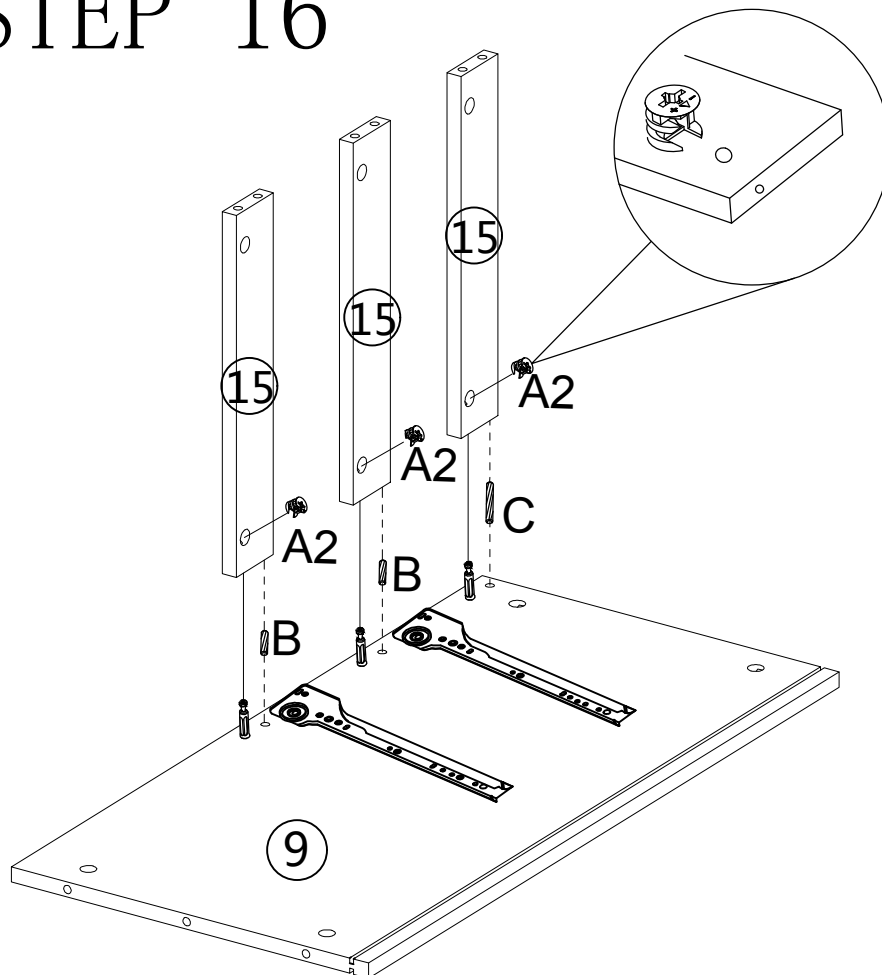





STEP 15



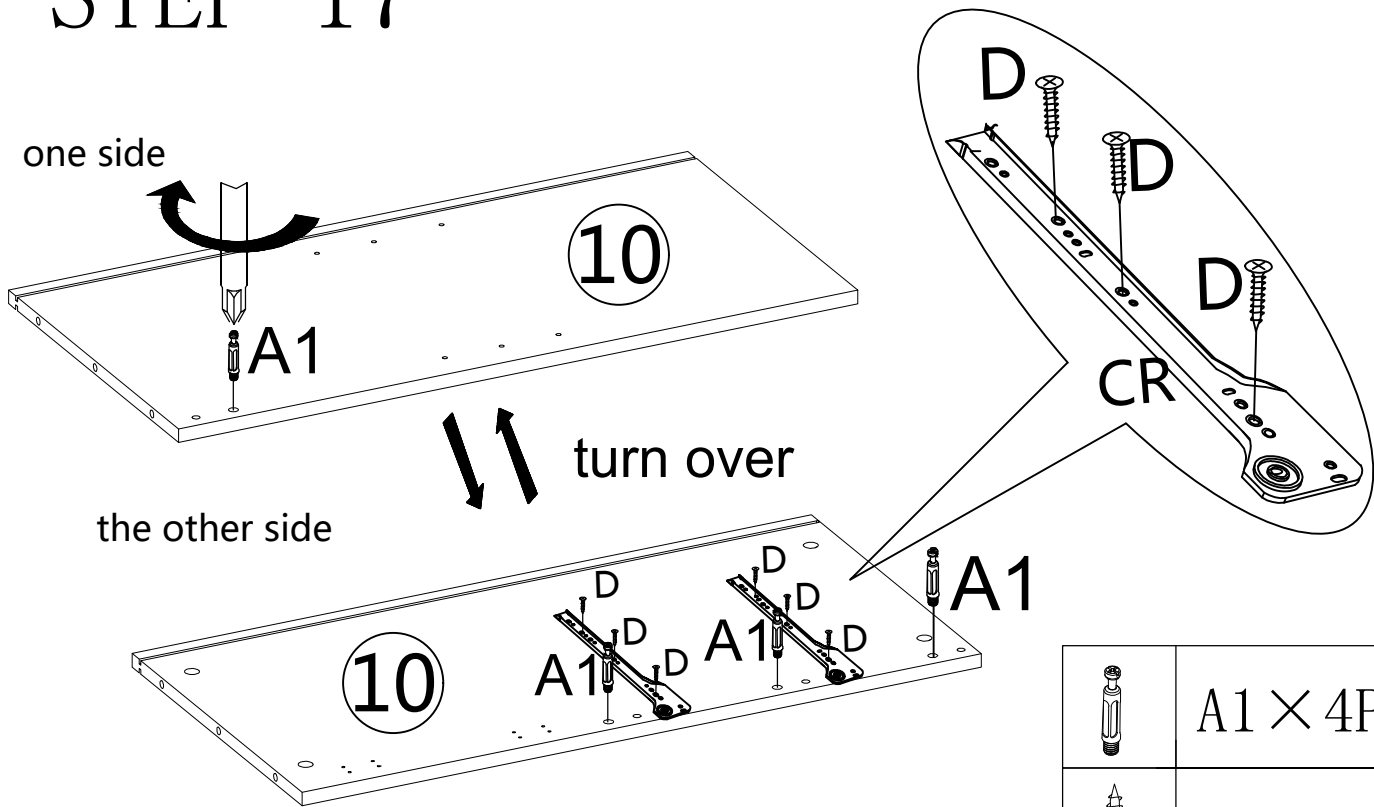
	A1 × 4PCS
	D × 6PCS
	CL × 2PCS




STEP 16



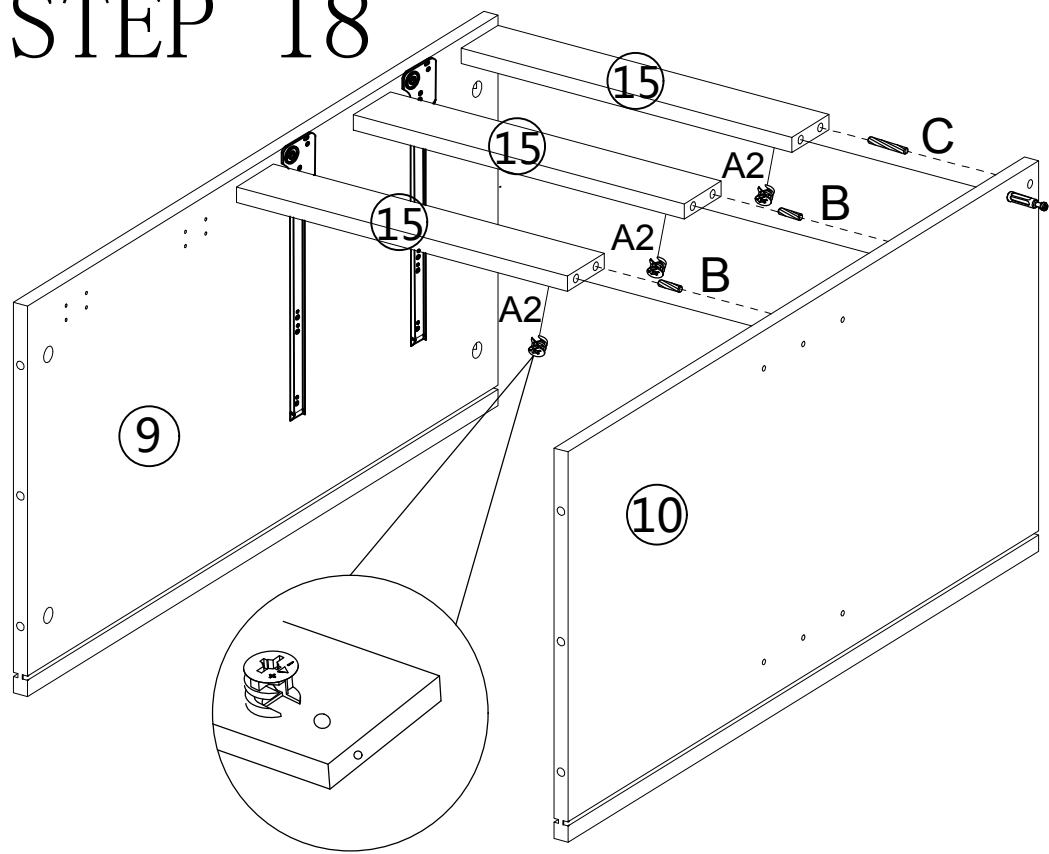
	A2 × 3PCS
	B × 2PCS
	C × 1PC




STEP 17



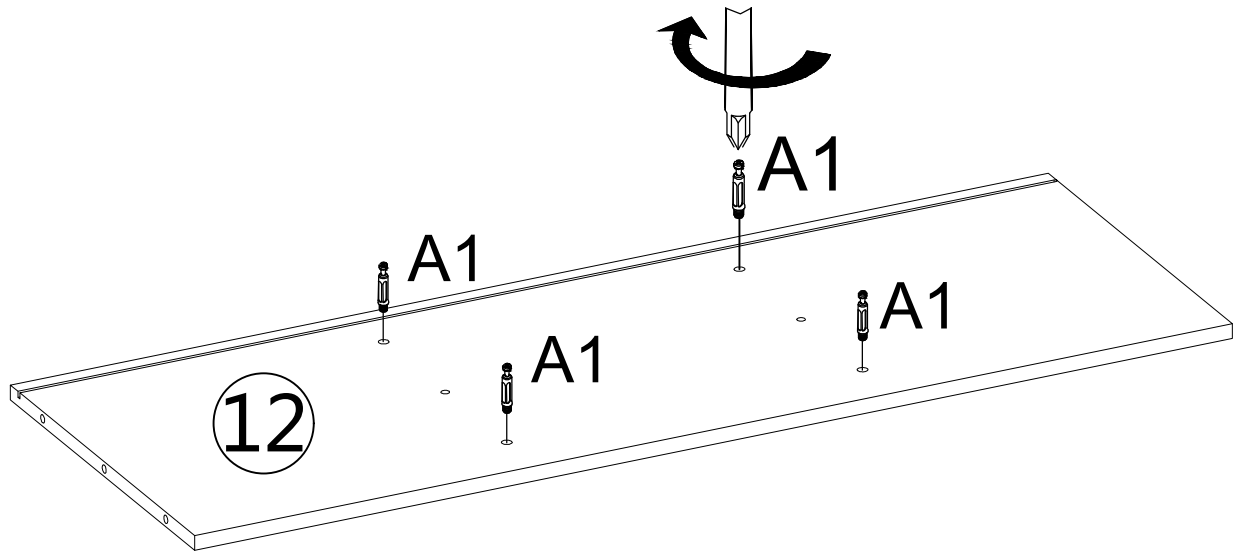
	A1 × 4PCS
	D × 6PCS
	CR × 2PCS


STEP 18



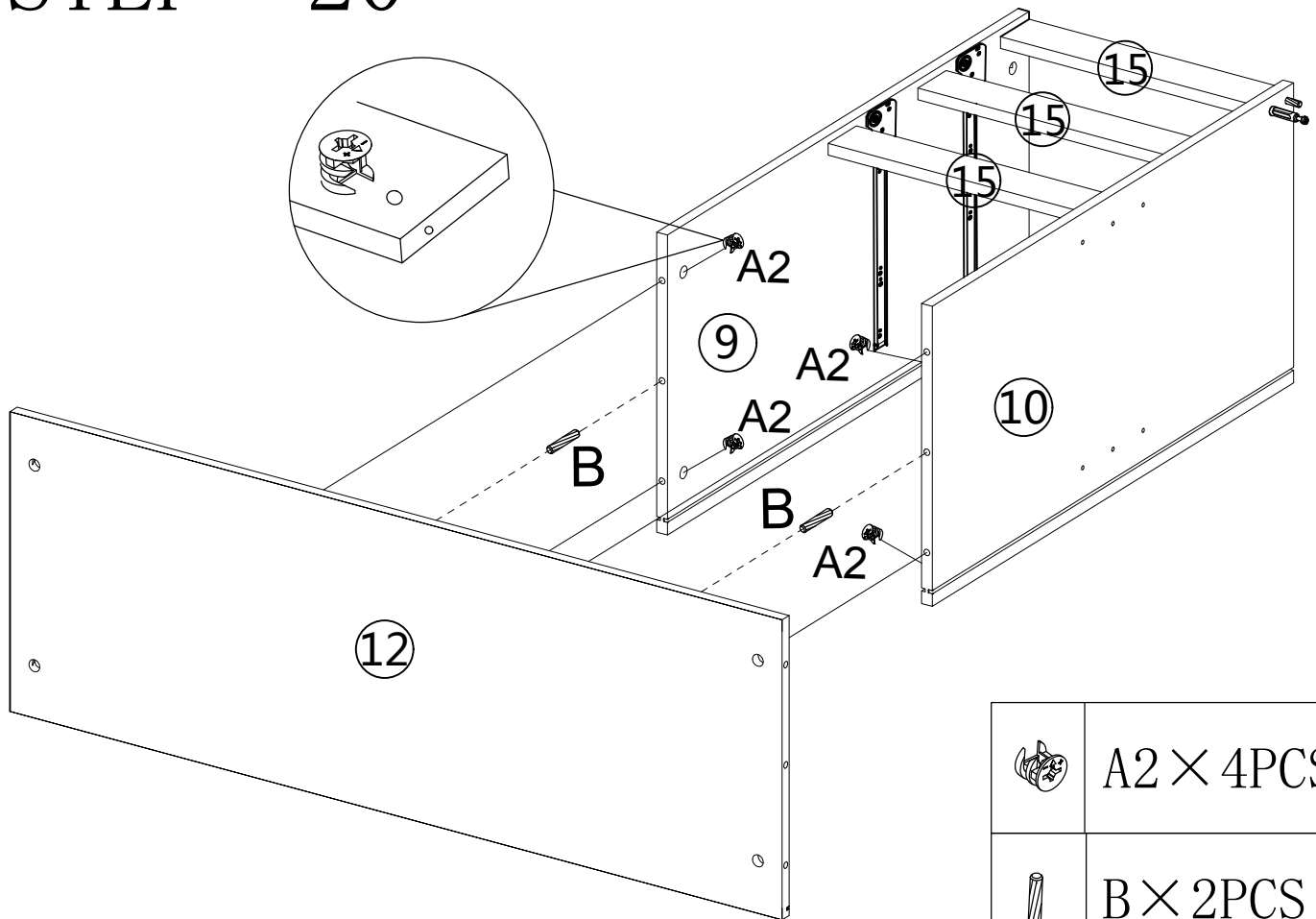
	A2 × 3PCS		B × 2PCS		C × 1PC
---	-----------	---	----------	---	---------



STEP 19



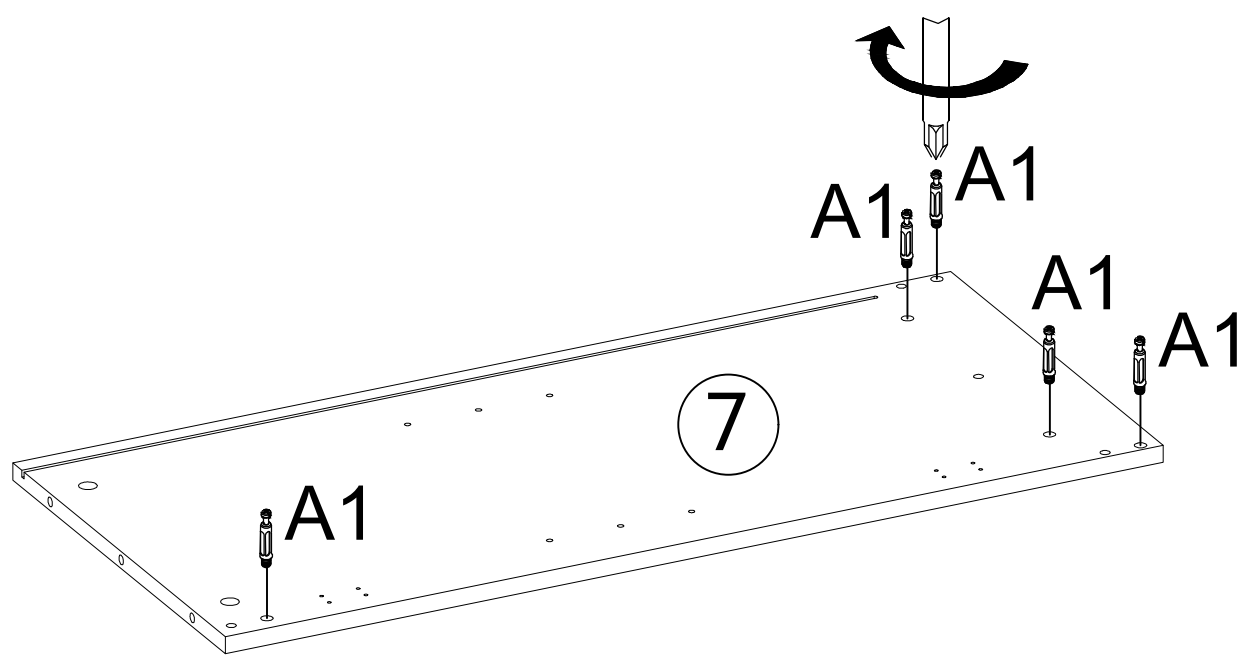
	A1 × 4PCS
---	-----------


STEP 20



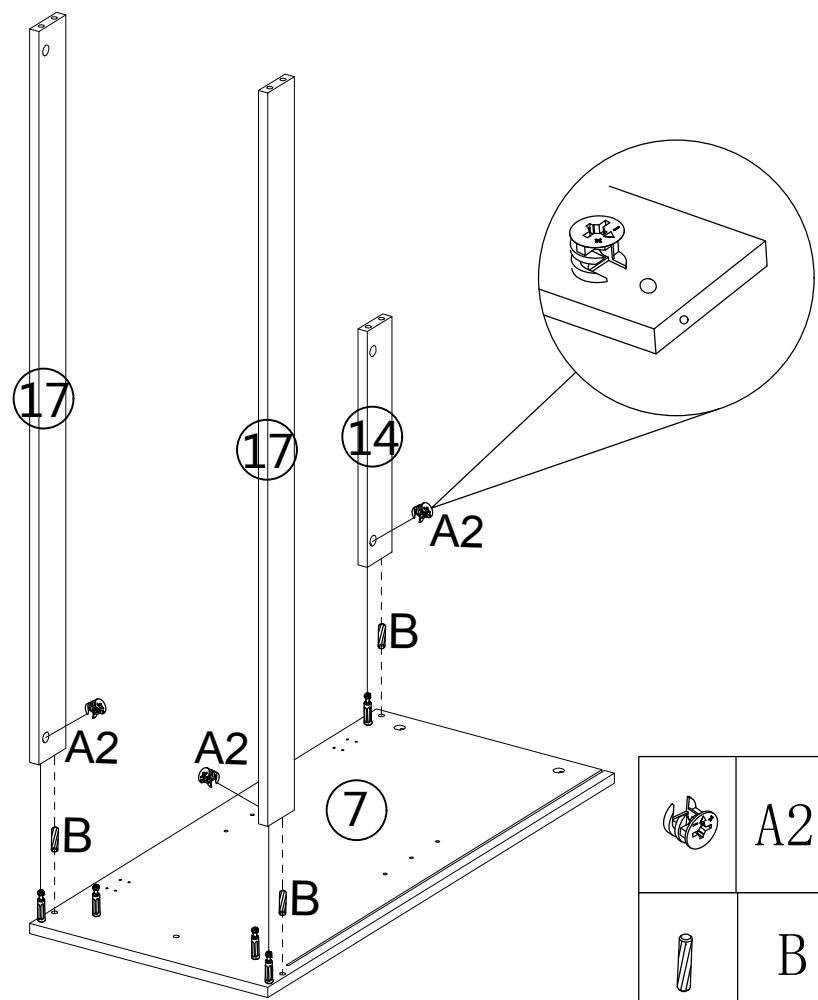
	A2 × 4PCS
	B × 2PCS


STEP 21




	A1 × 5PCS
--	-----------

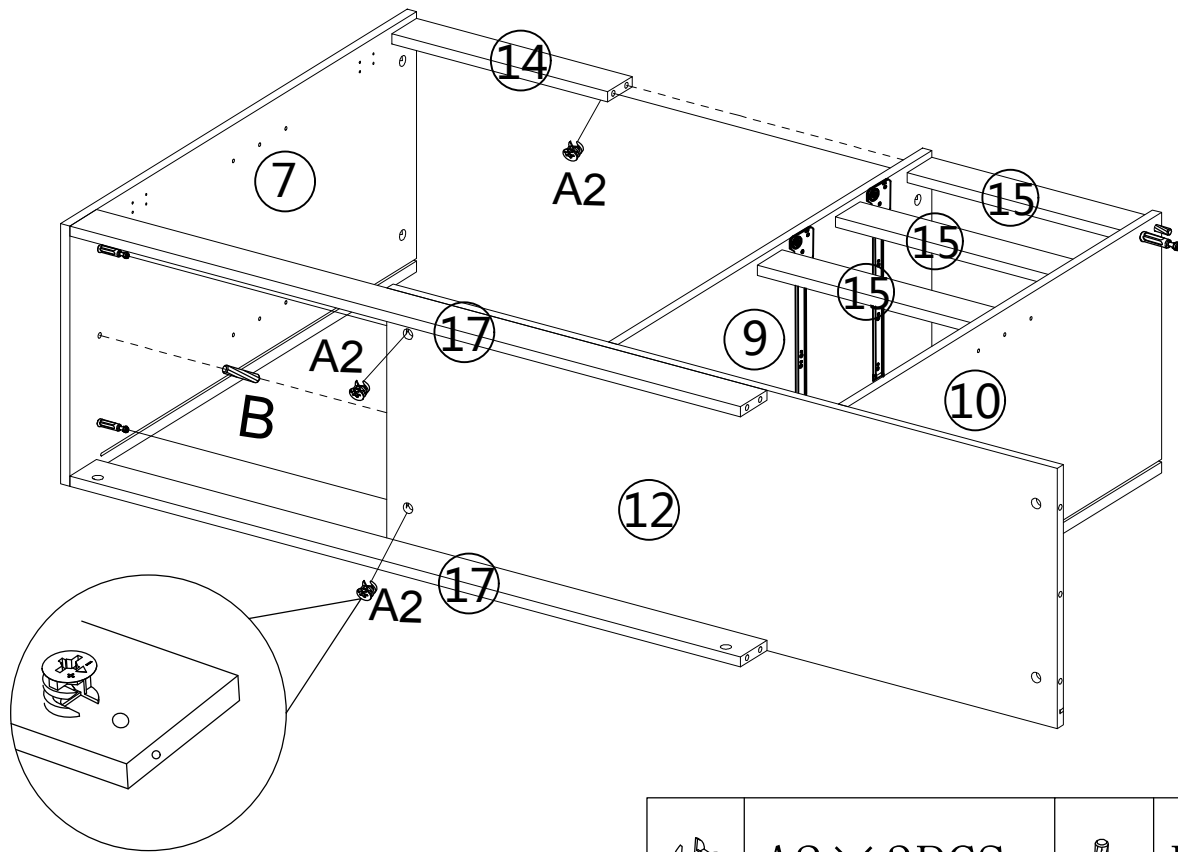
STEP 22





	A2 × 3PCS
---	-----------

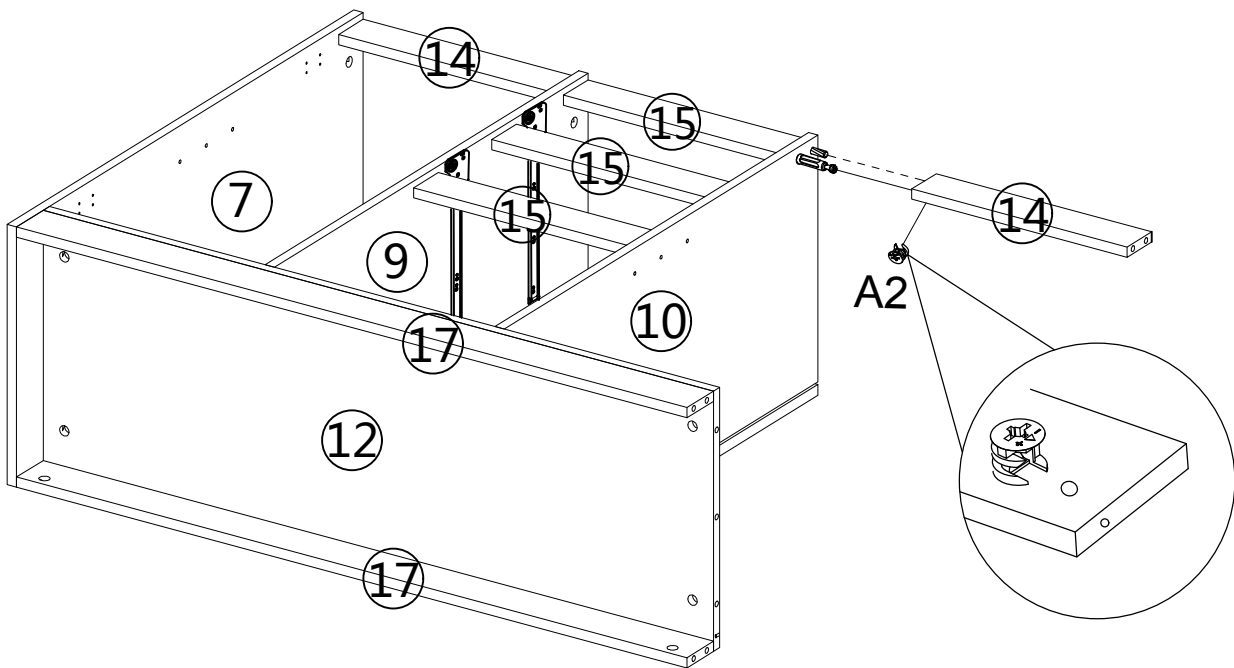
	B × 3PCS
---	----------


STEP 23



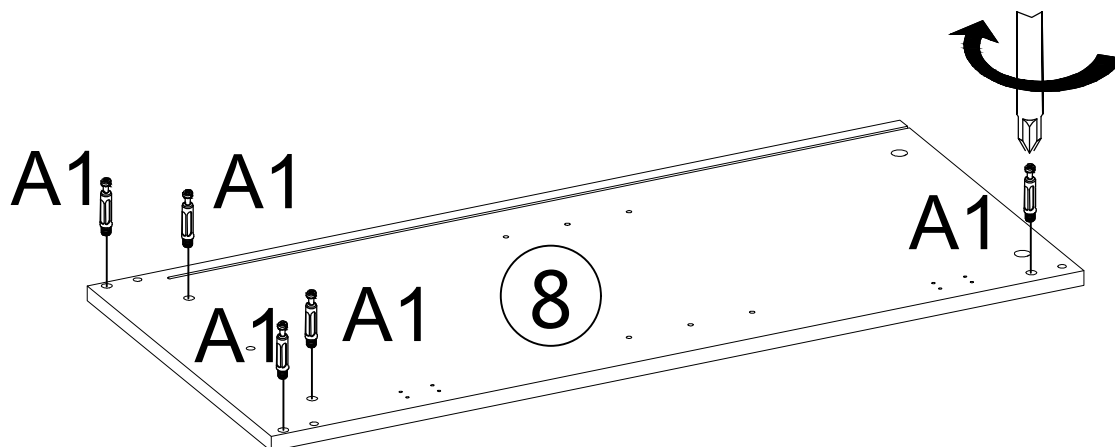
	A2 × 3PCS		B × 1PC
---	-----------	---	---------


STEP 24



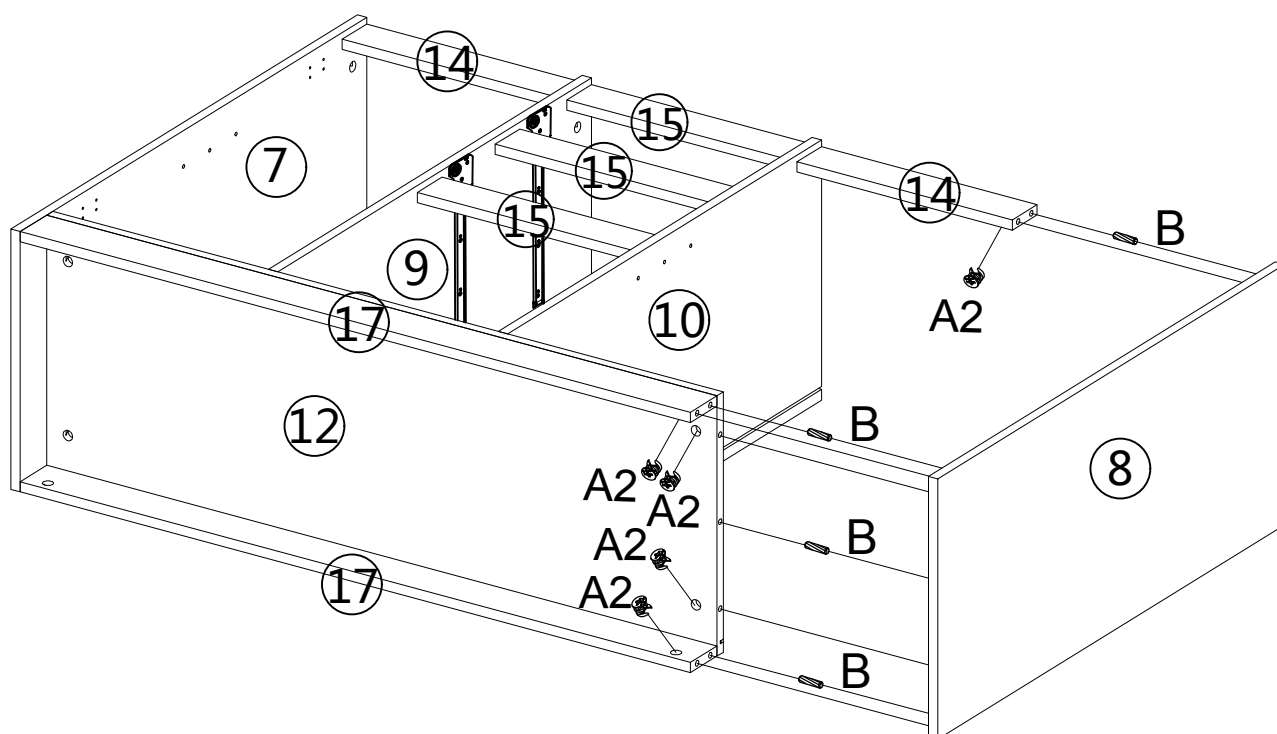
	A2 × 1PC
---	----------



STEP 25



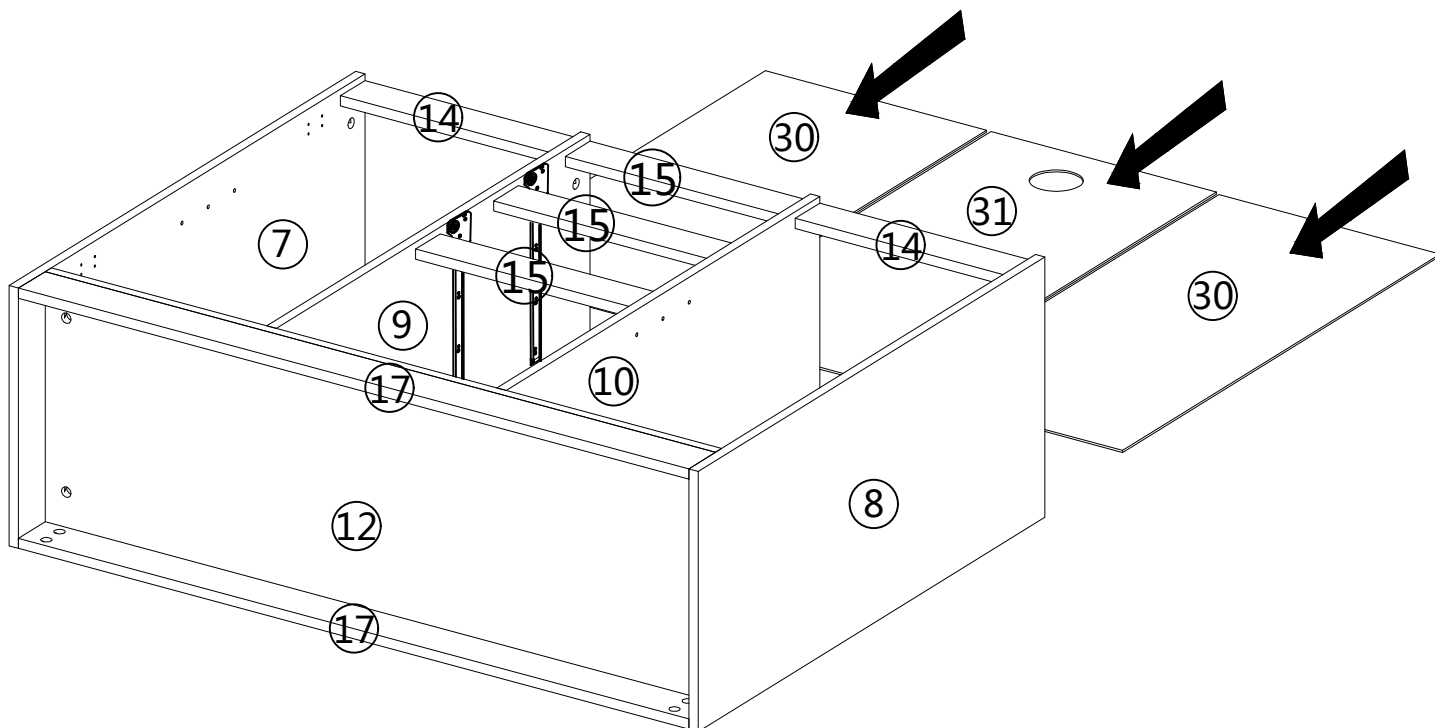
	A1 × 5PCS
---	-----------

STEP 26

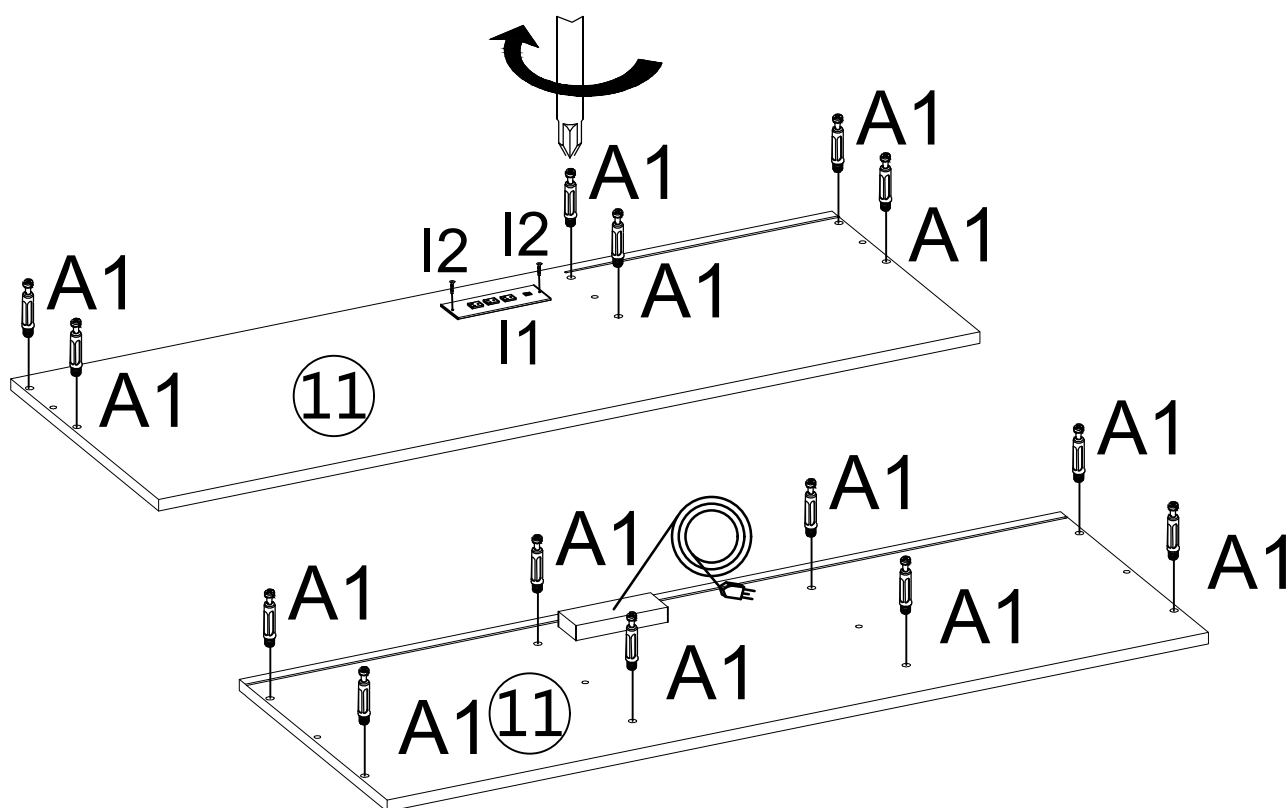





	A2 × 5PCS		B × 4PCS
---	-----------	---	----------

STEP 27

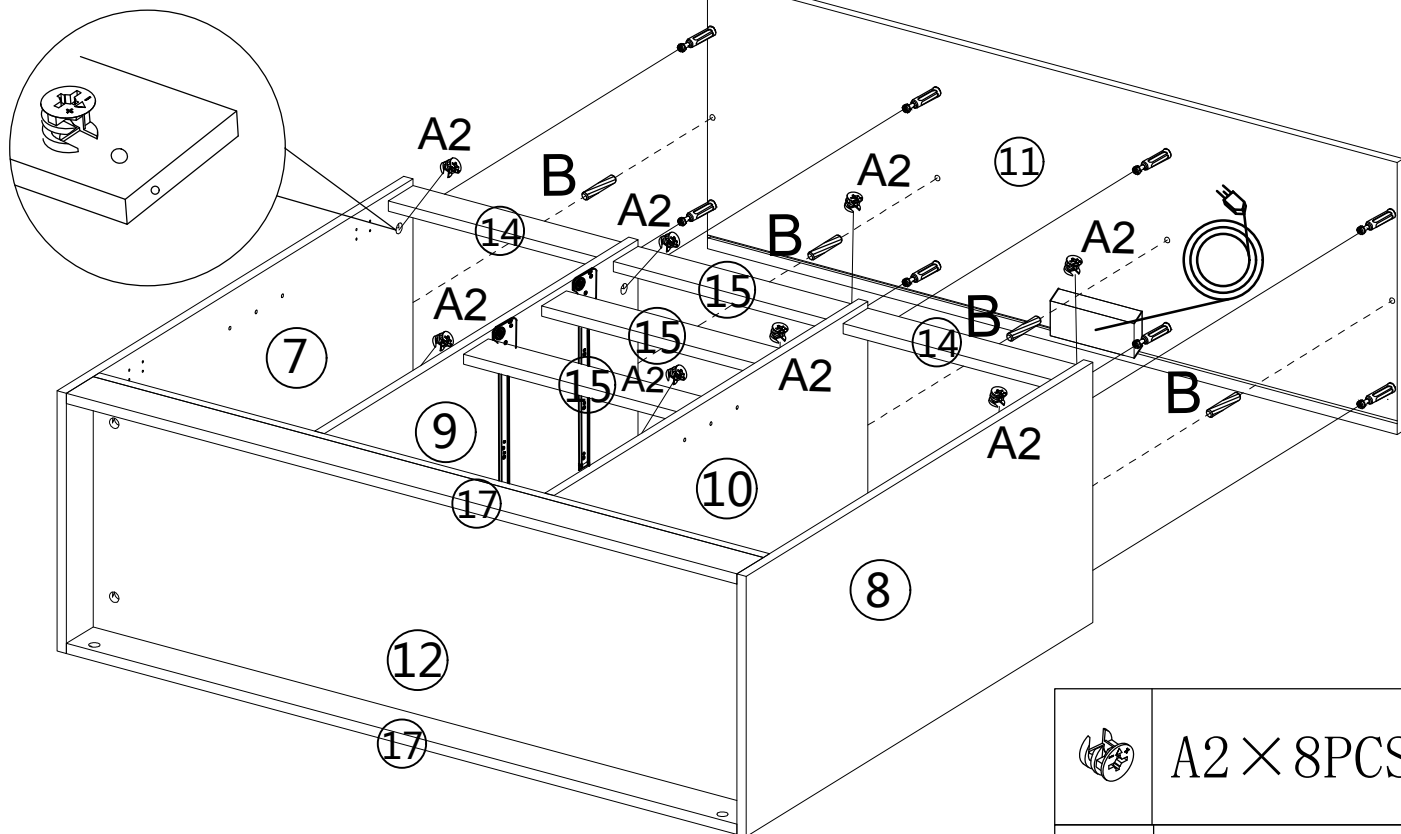




STEP 28



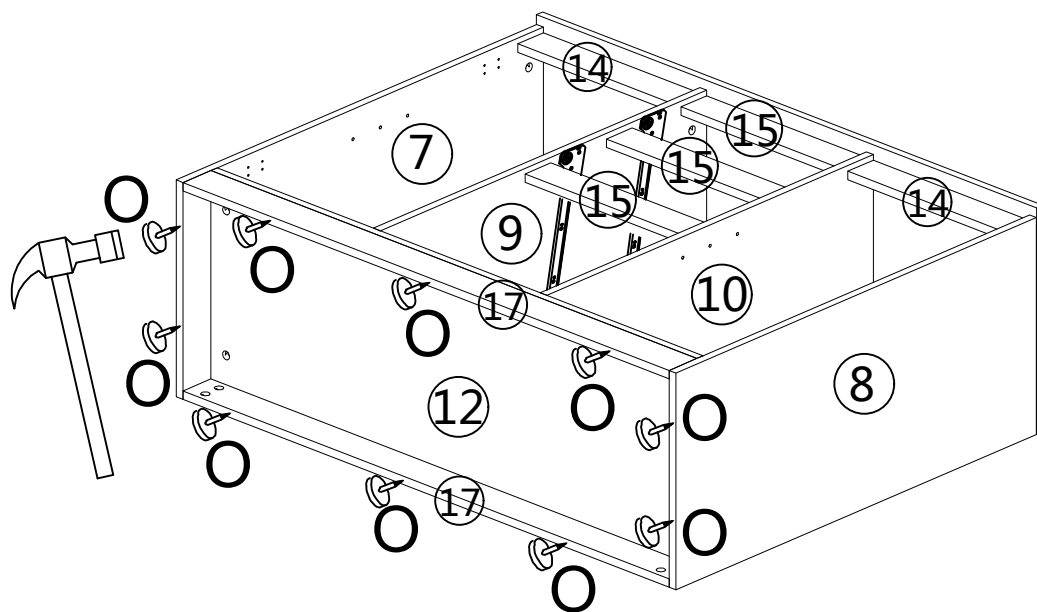
	A1 × 14PCS		I1 × 1PC		I2 × 2PCS
---	------------	---	----------	---	-----------


STEP 29



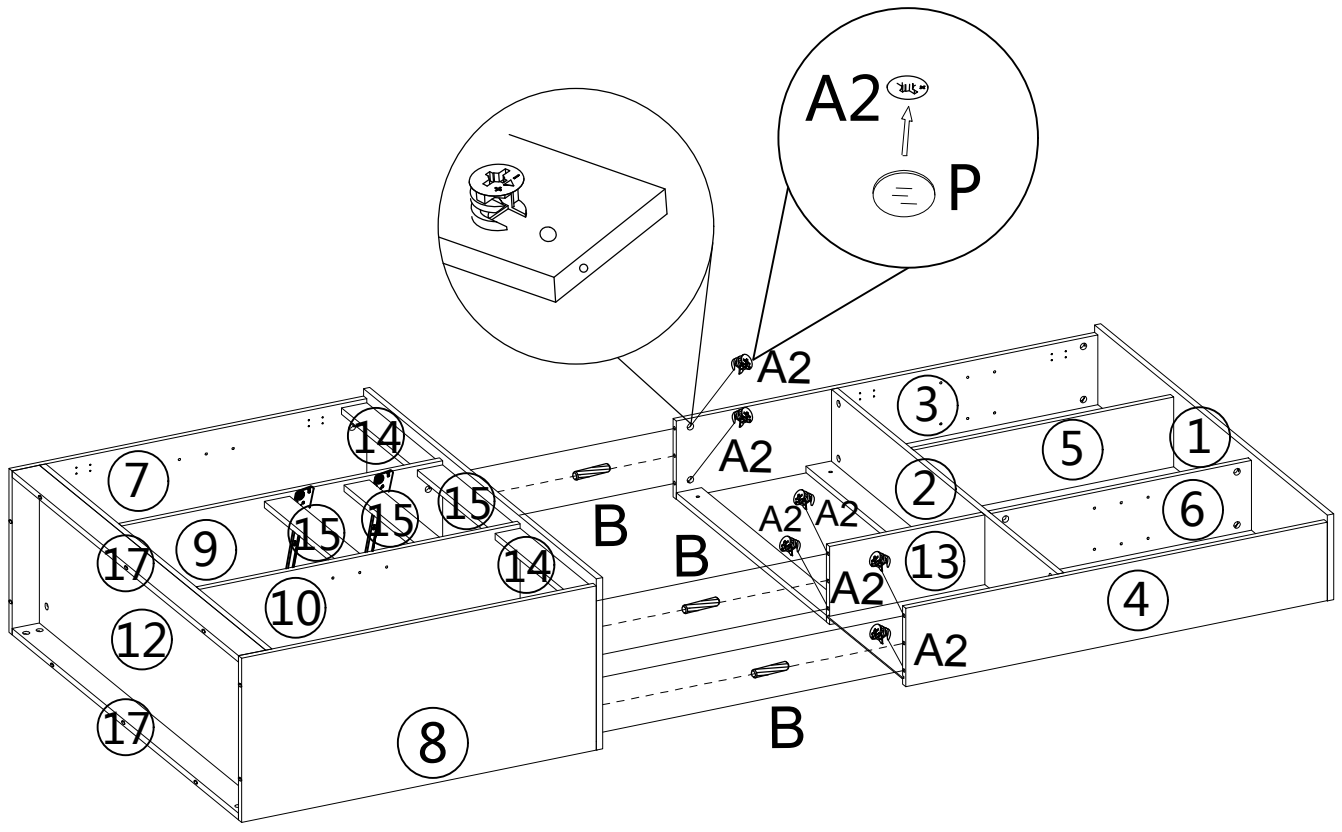
	A2 × 8PCS
	B × 4PCS




STEP 30



	0 × 10PCS
---	-----------

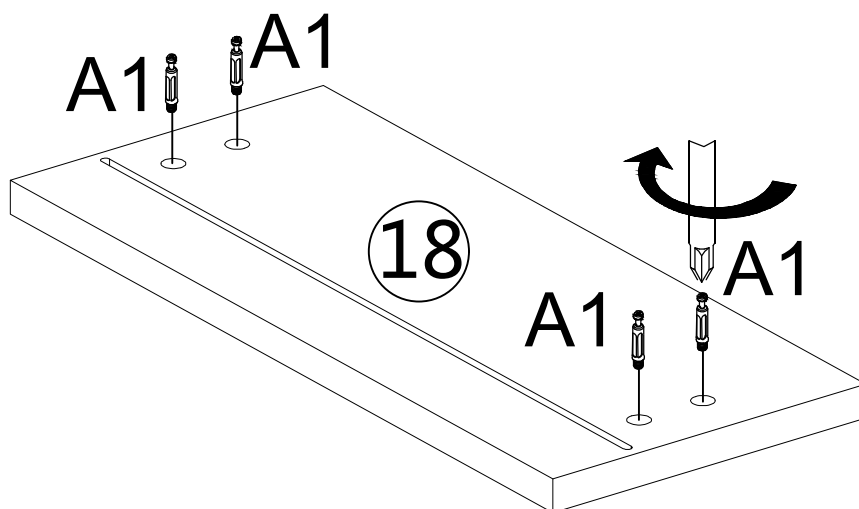
STEP 31




	A2 × 6PCS
	B × 3PCS
	P × 58PCS

STEP 32

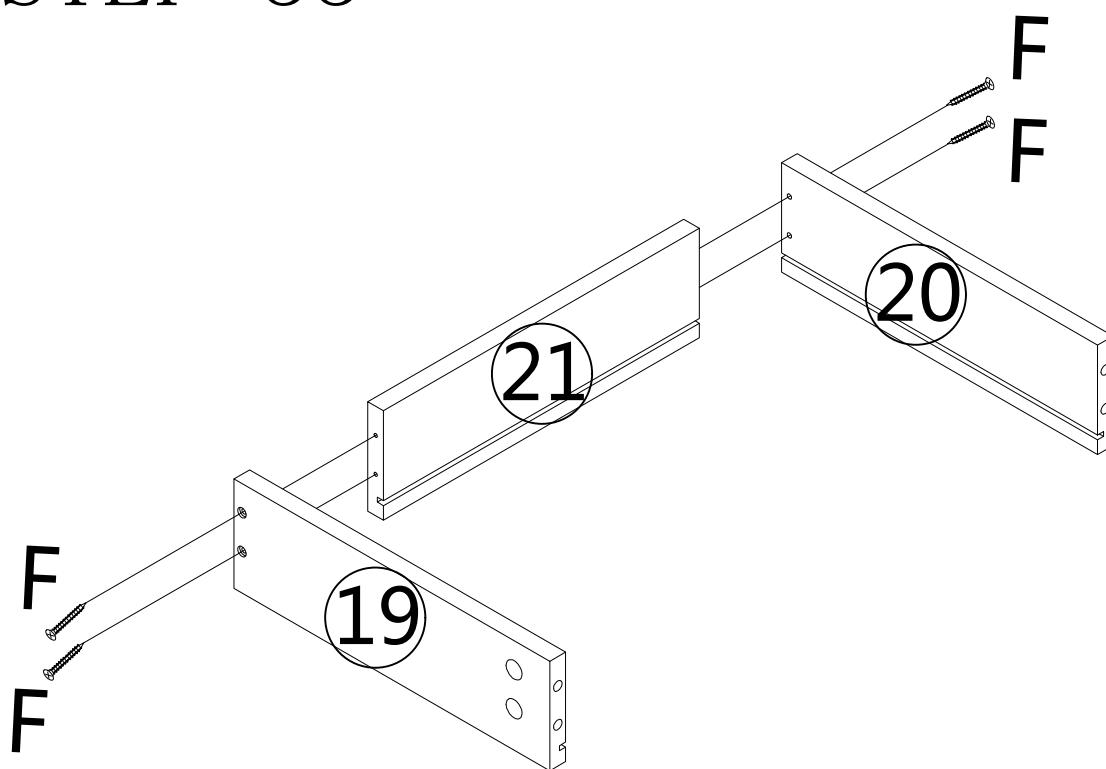
X2




	A1 × 4PCS
---	-----------

STEP 33

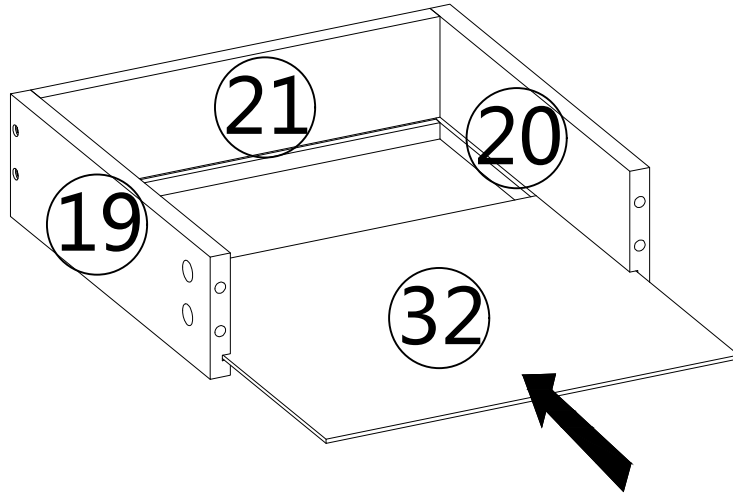
X2



	F × 4PCS
---	----------

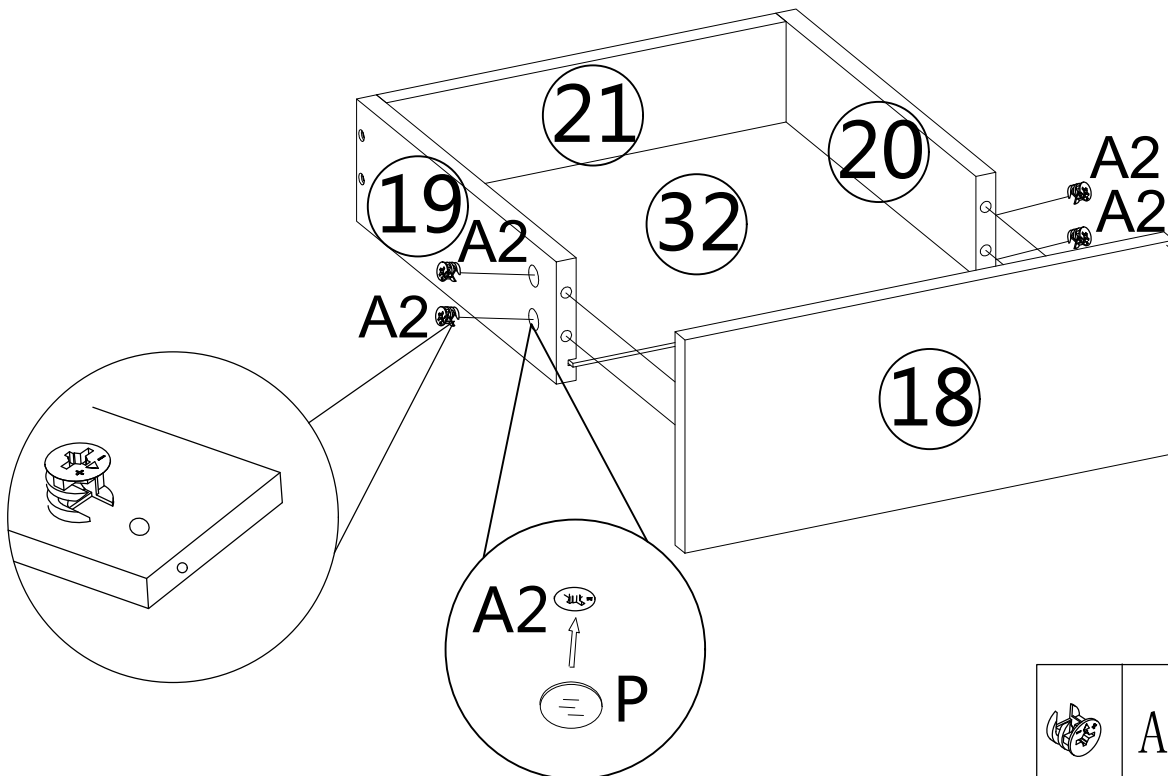
STEP 34



X2



STEP 35

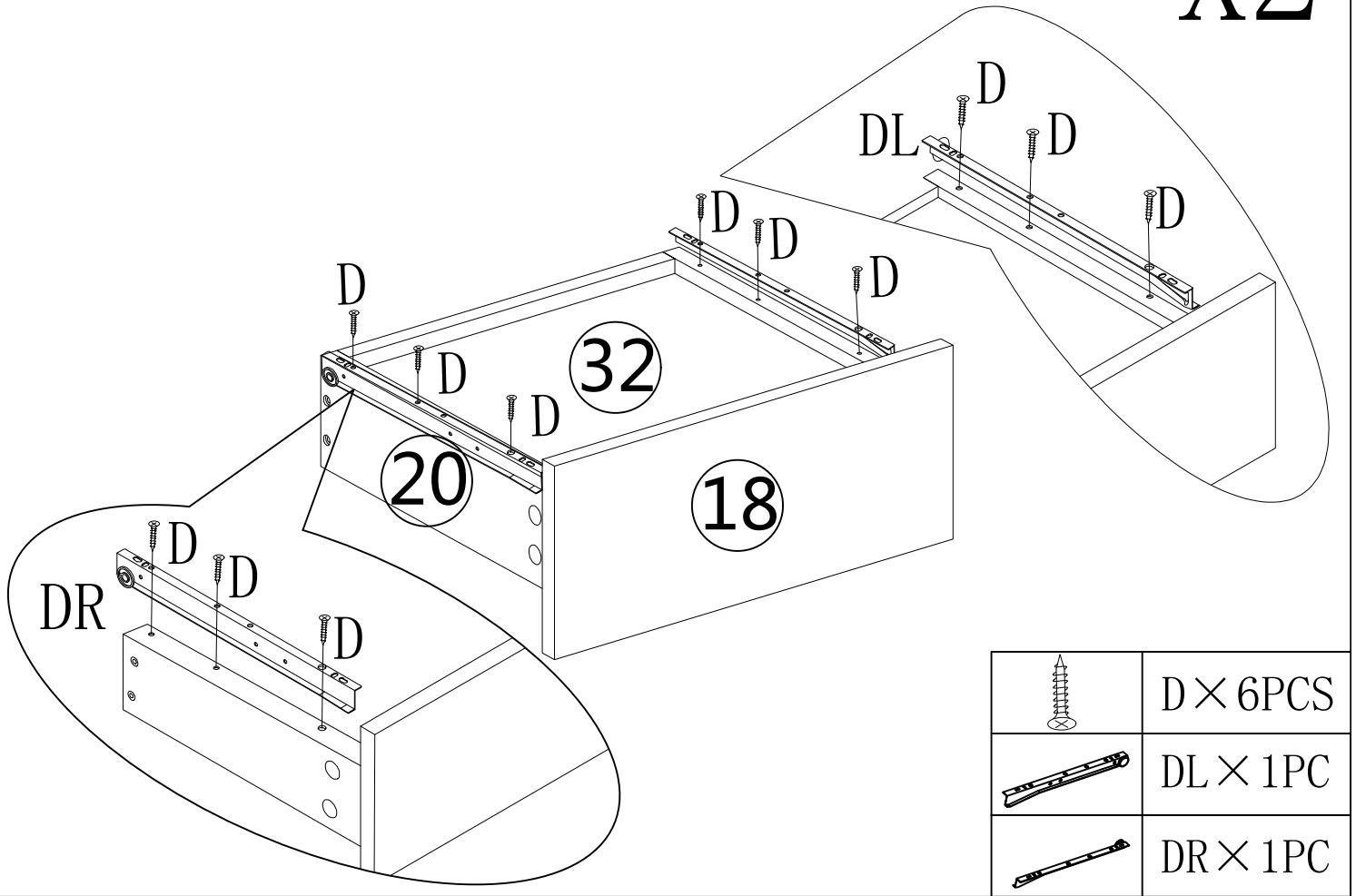
X2



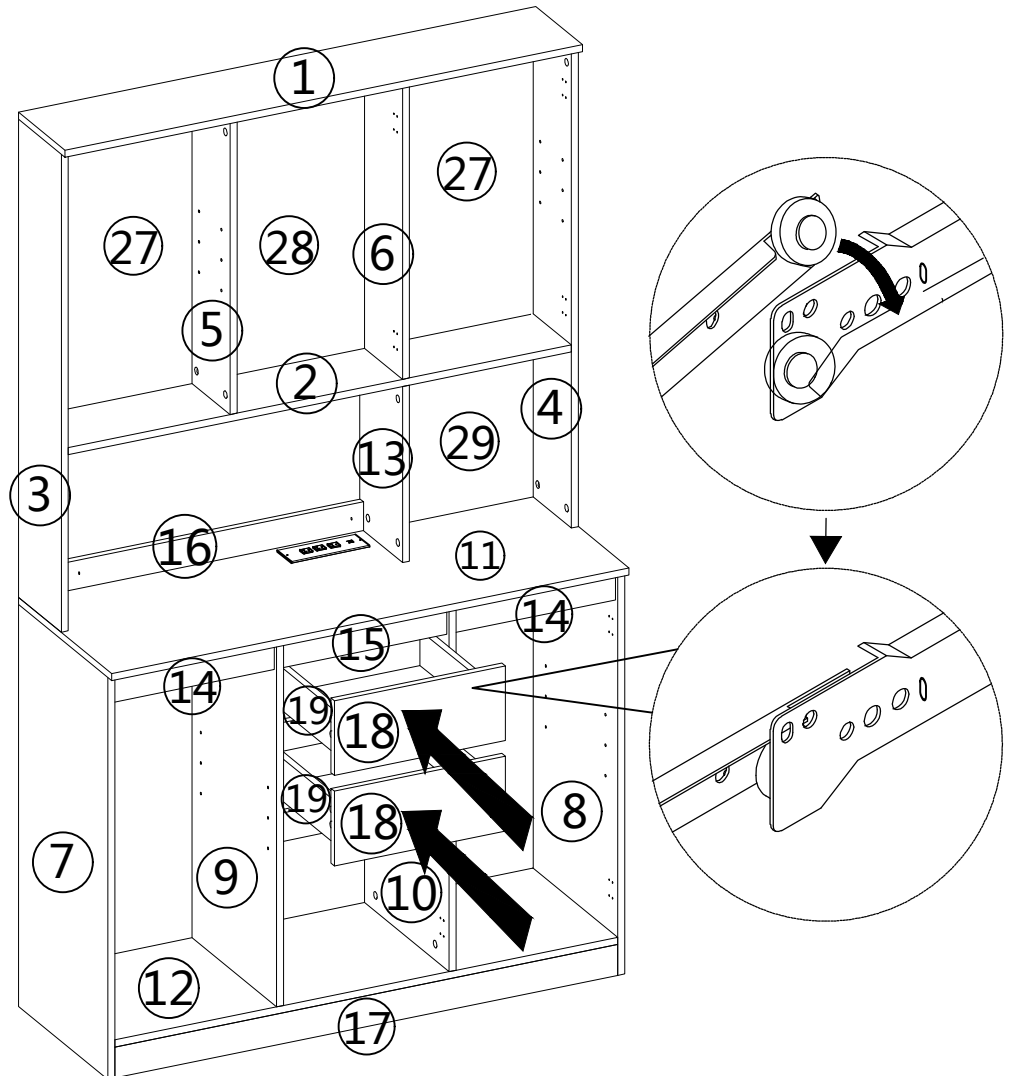
	A2 × 4PCS
	P × 4PCS

STEP 36

X2

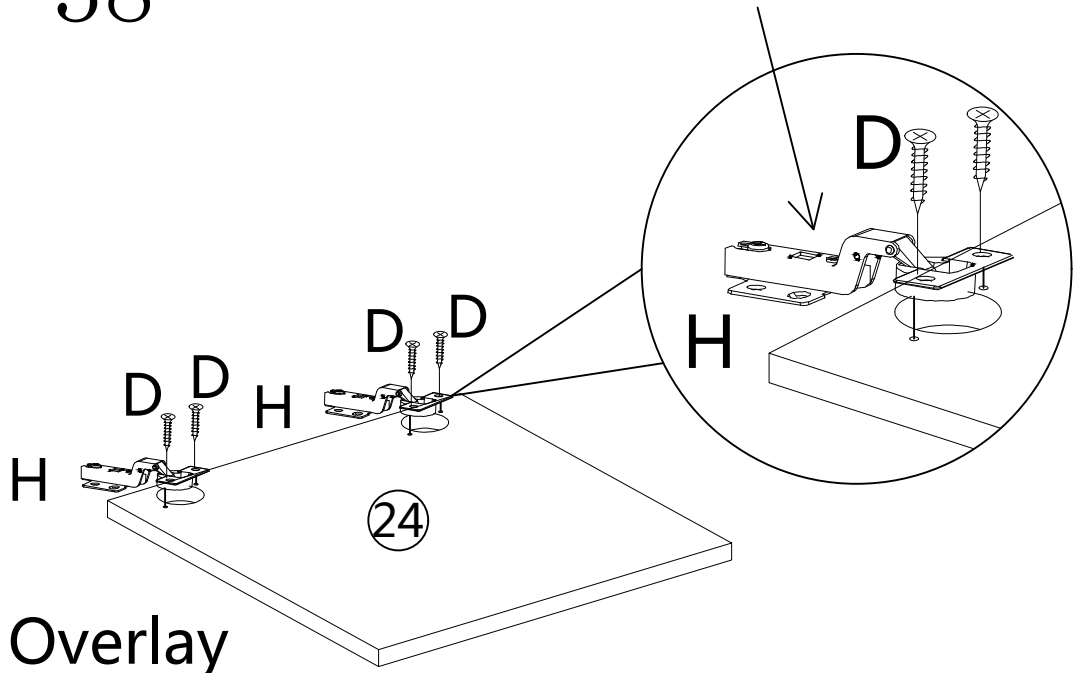


STEP 37





STEP 38

Half Overlay

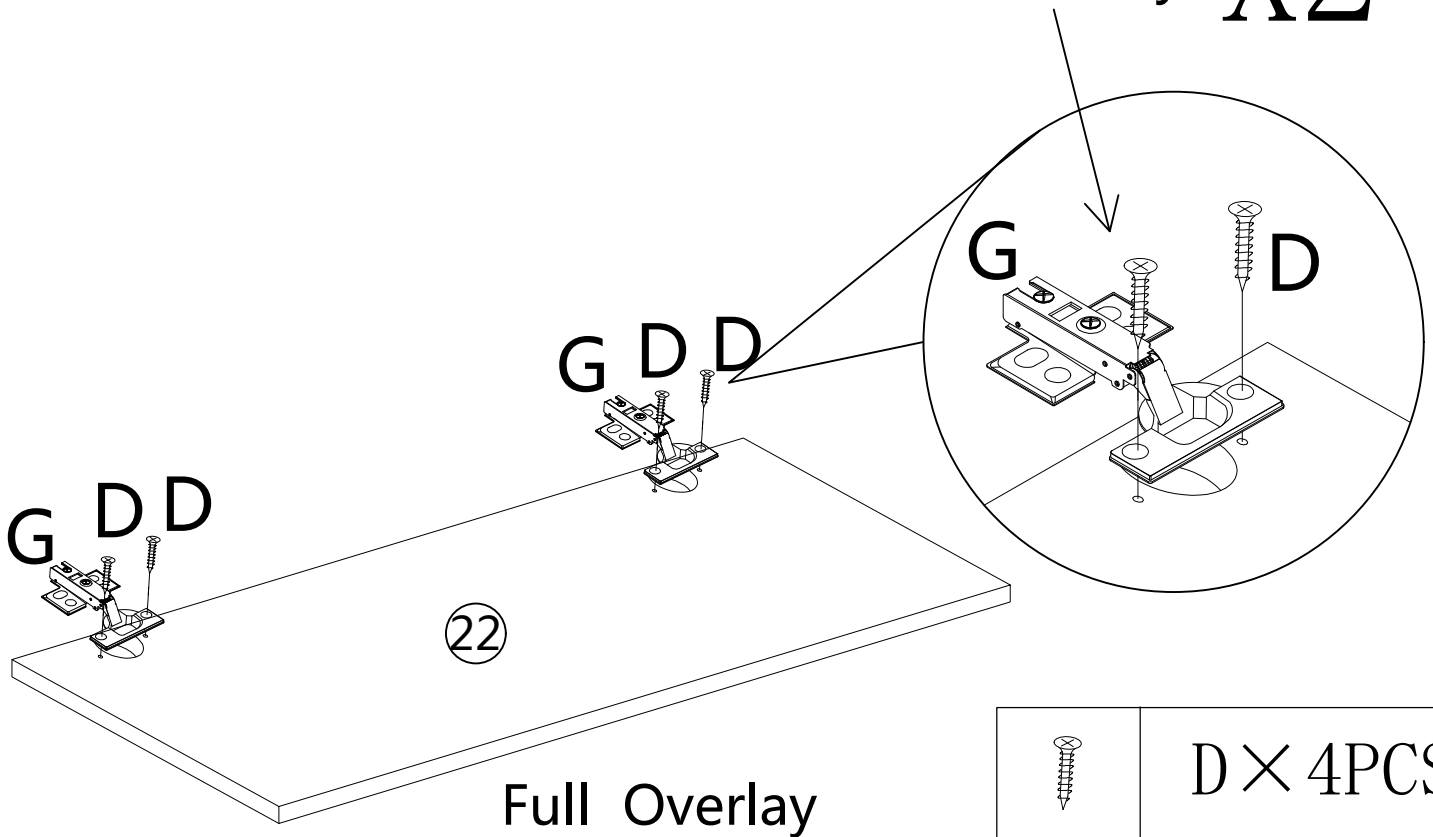


Half Overlay


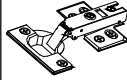
	D × 4PCS
	H × 2PCS

STEP 39

Full Overlay X2

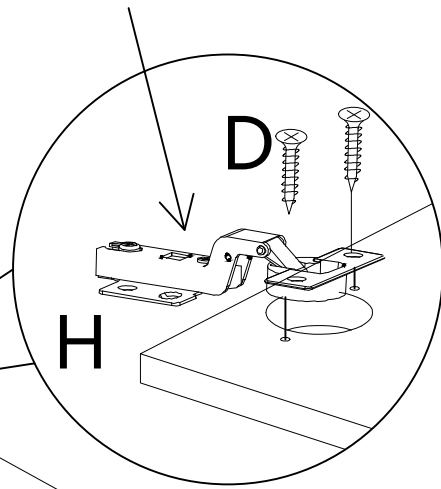
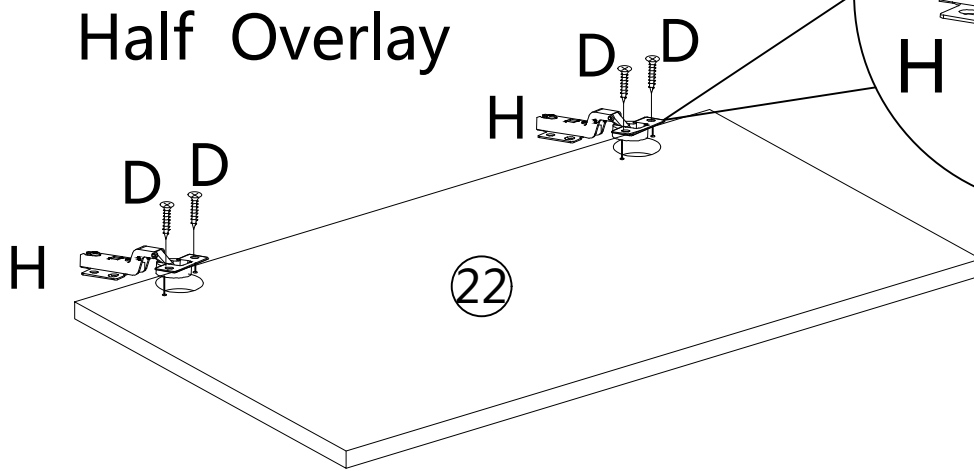




Full Overlay

	D × 4PCS
	G × 2PCS

STEP 40

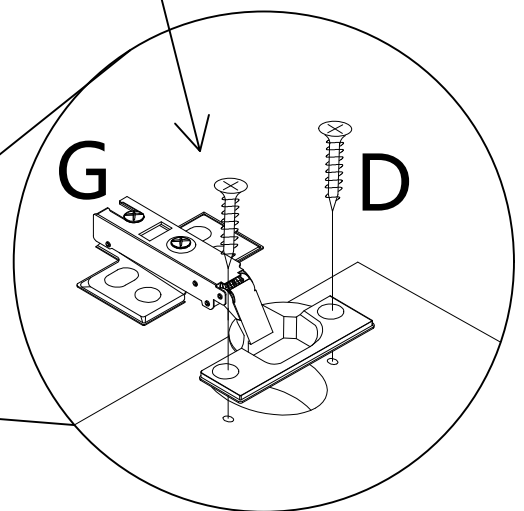
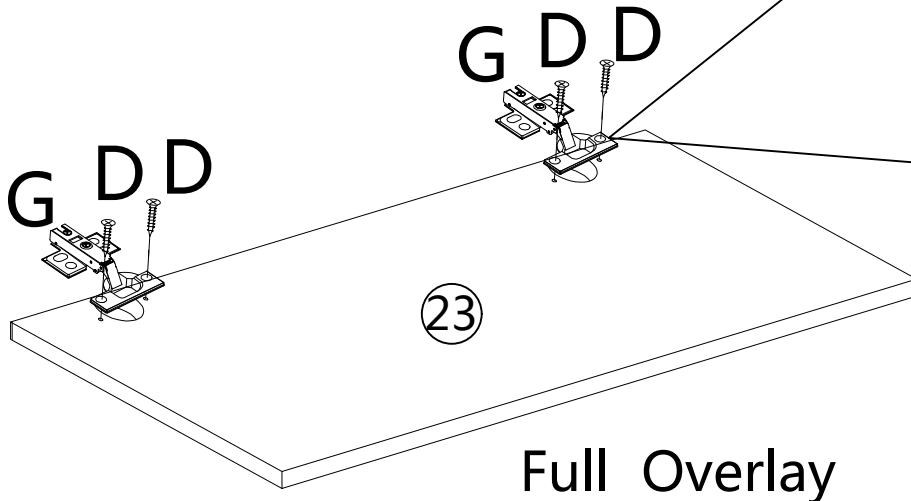
Half Overlay


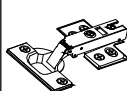


	D × 4PCS
	H × 2PCS

STEP 41

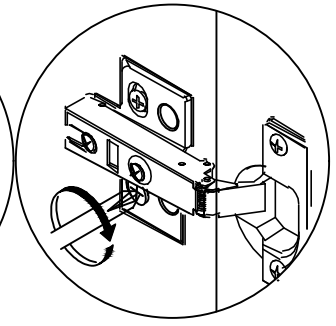
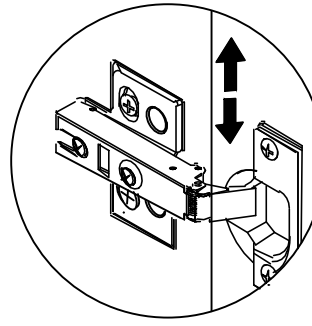
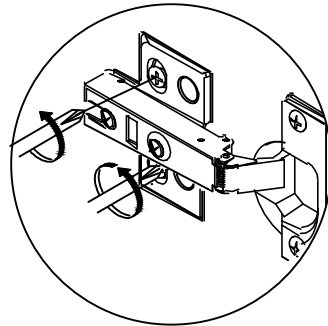
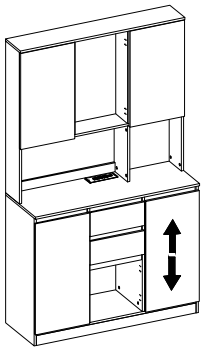
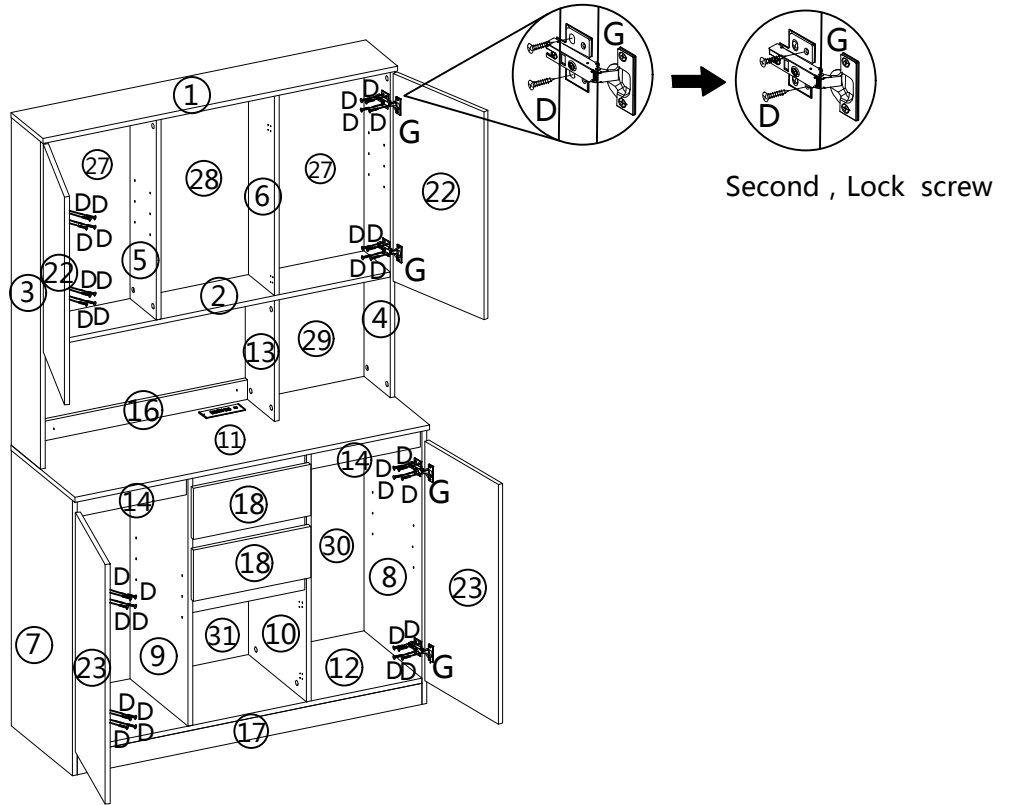
Full Overlay X2



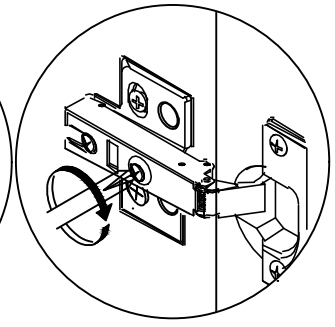
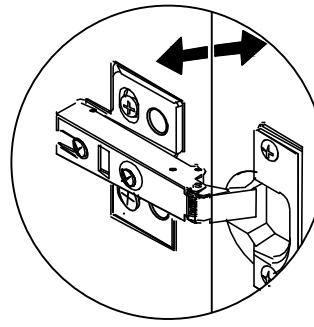
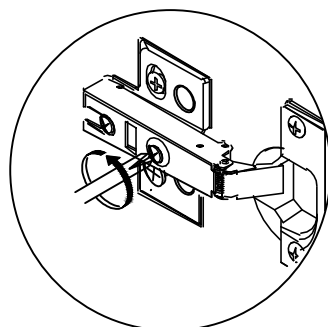
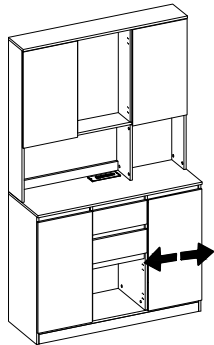
	D × 4PCS
	G × 2PCS

STEP 42

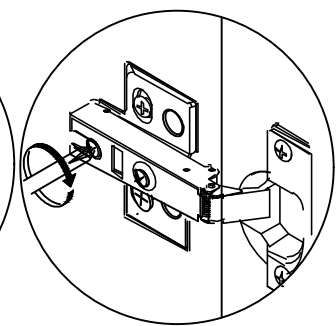
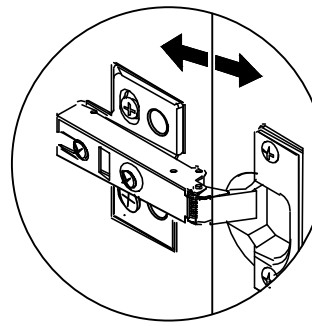
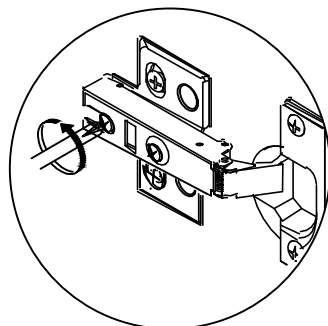
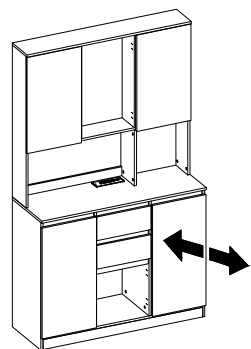
First , Regulating gap



Cabinet door up and down fine adjustment



Cabinet door left and right fine adjustment



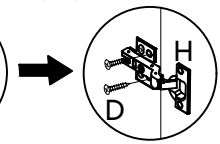
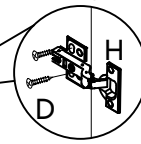
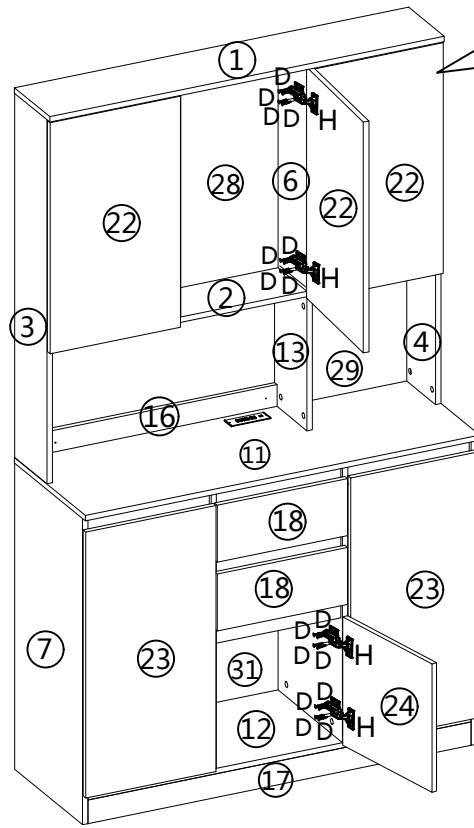
Fine-tune the gap after the cabinet door is closed



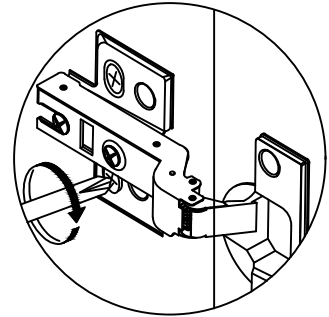
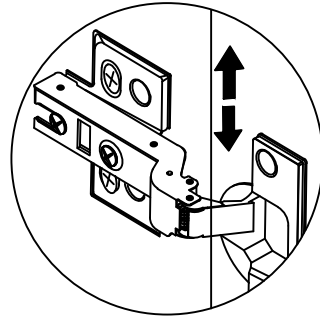
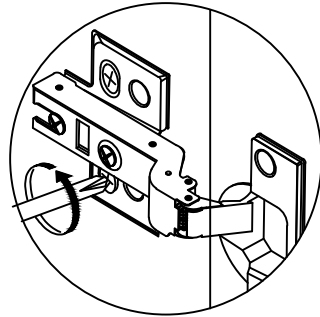
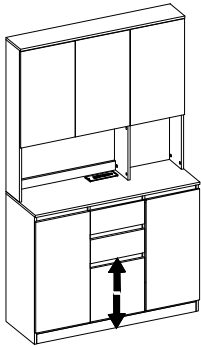
D × 32PCS

STEP 43

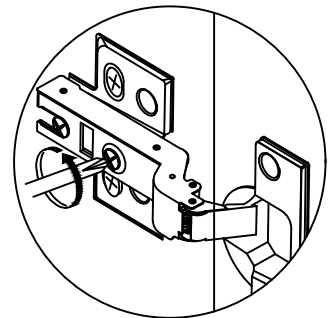
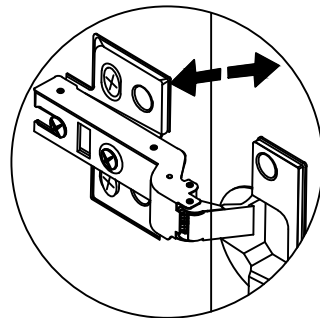
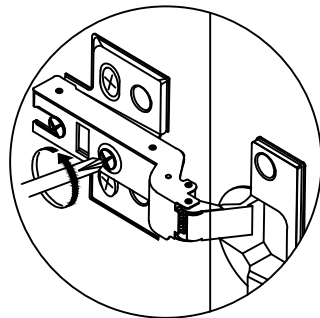
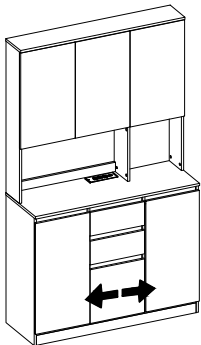
First, Regulating gap



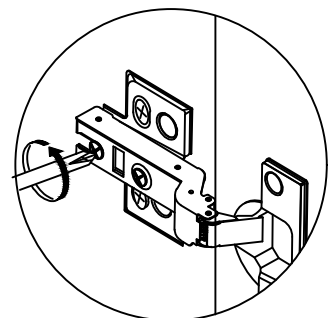
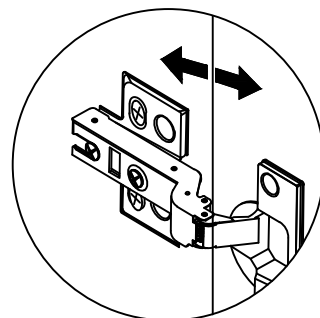
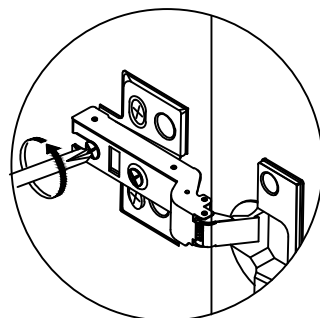
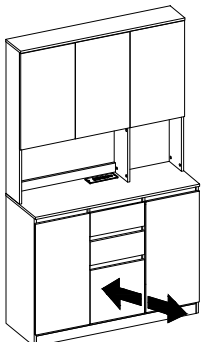
Second, Lock screw



Cabinet door up and down fine adjustment



Cabinet door left and right fine adjustment

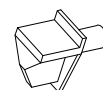
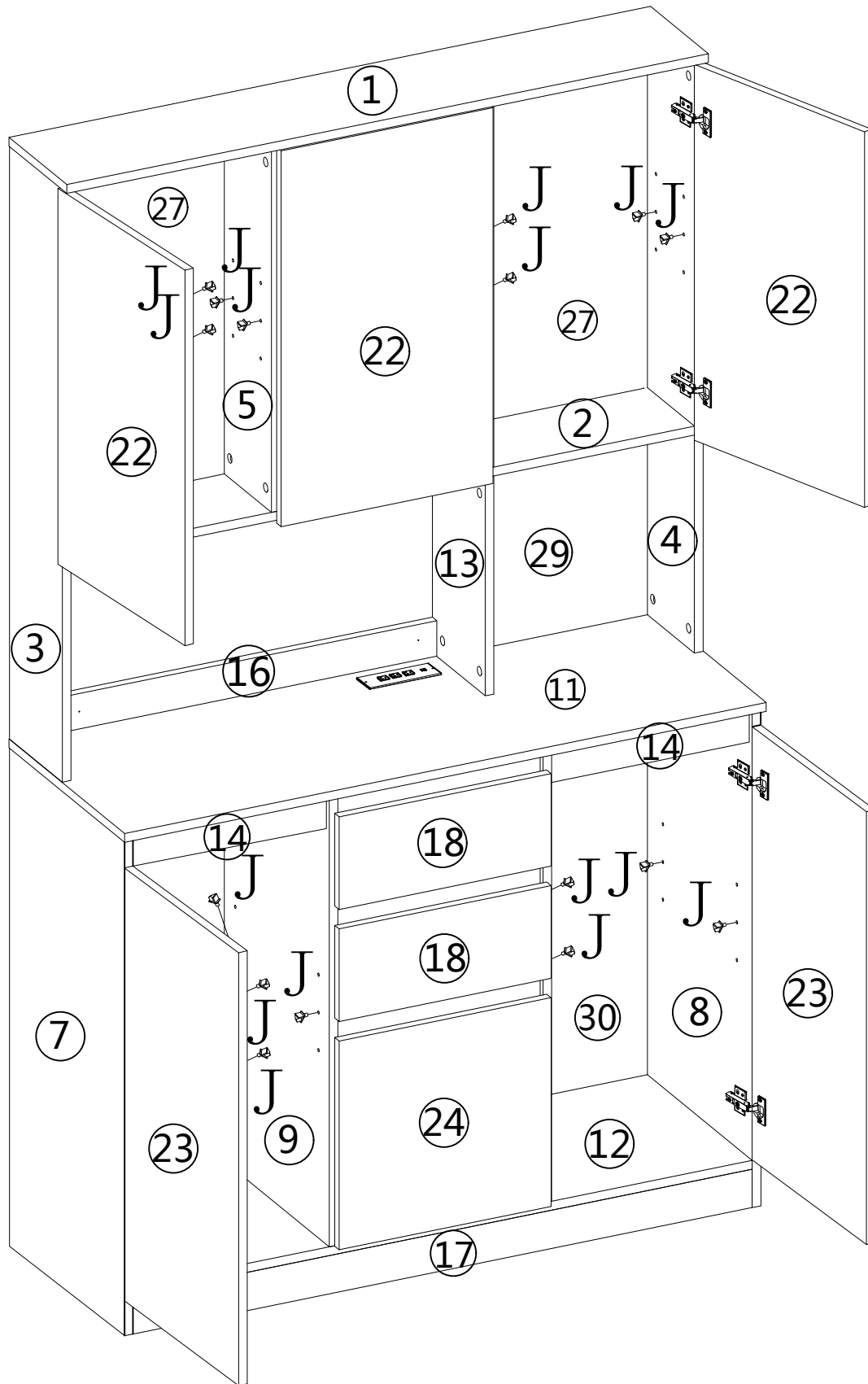


Fine-tune the gap after the cabinet door is closed



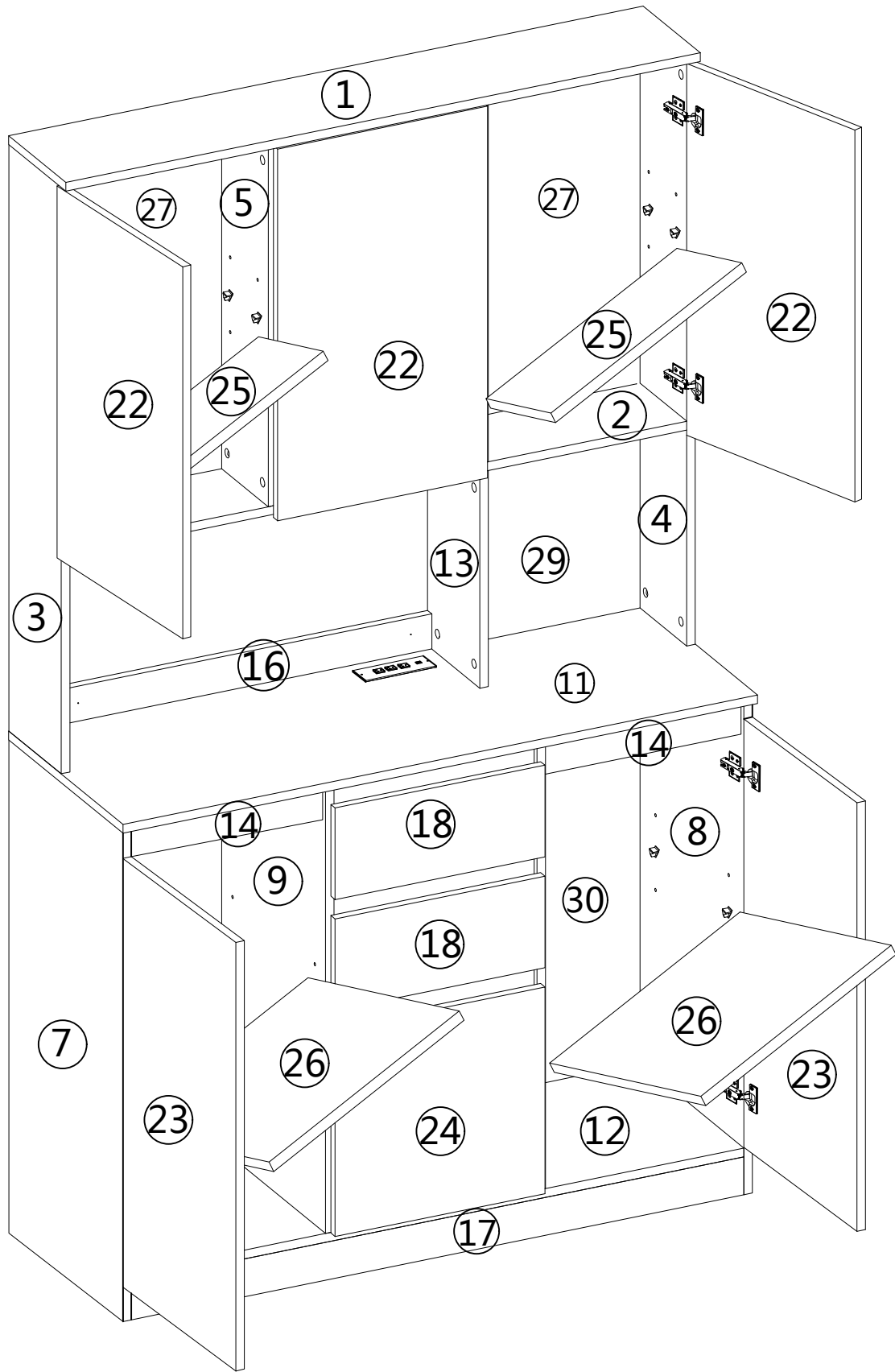
D × 16PCS

STEP 44

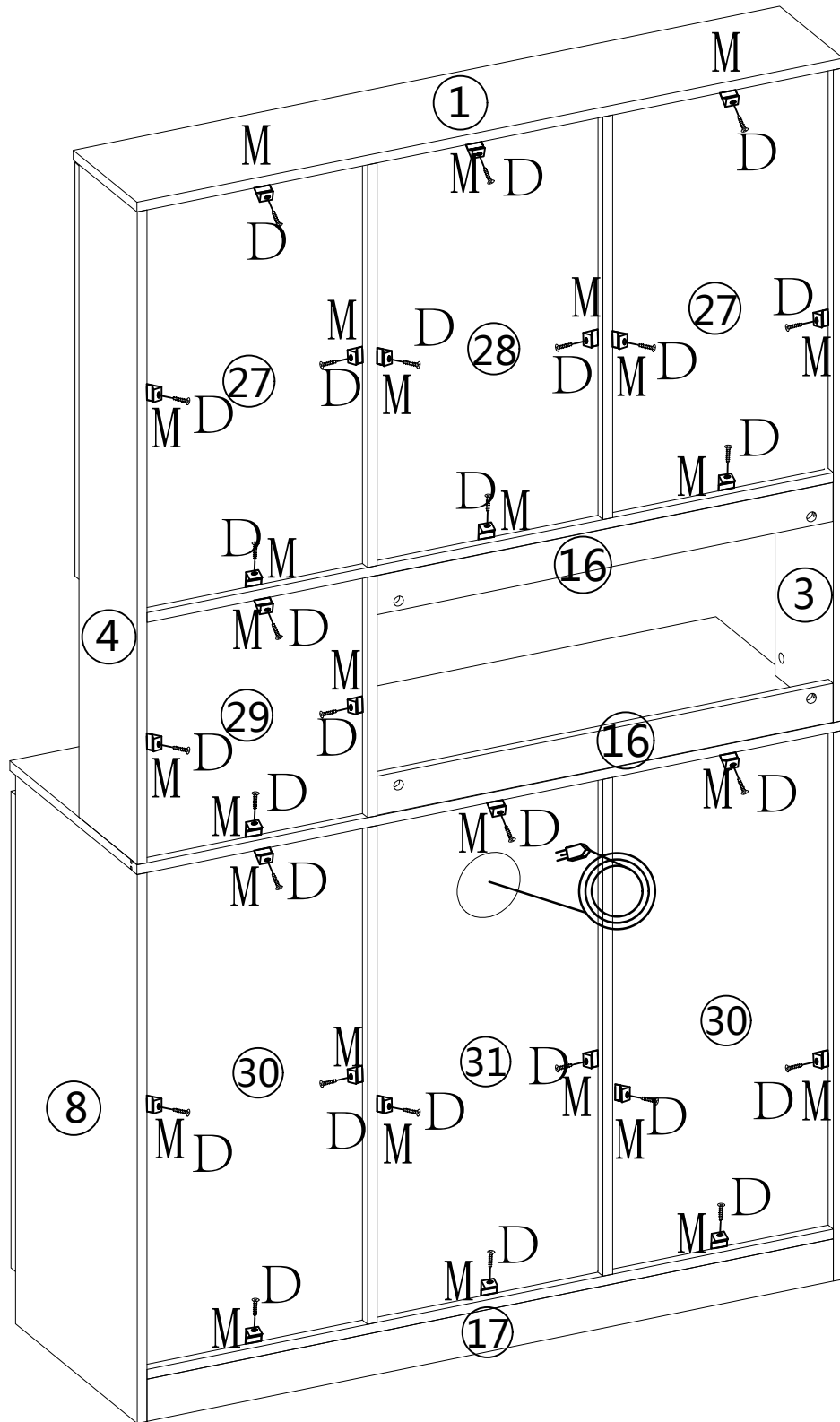


J × 16PCS



STEP 45



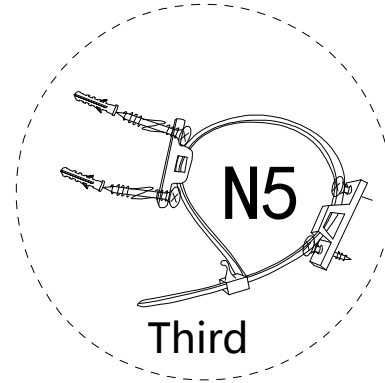
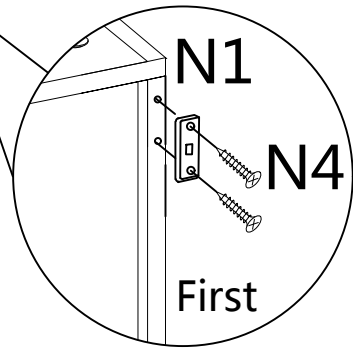
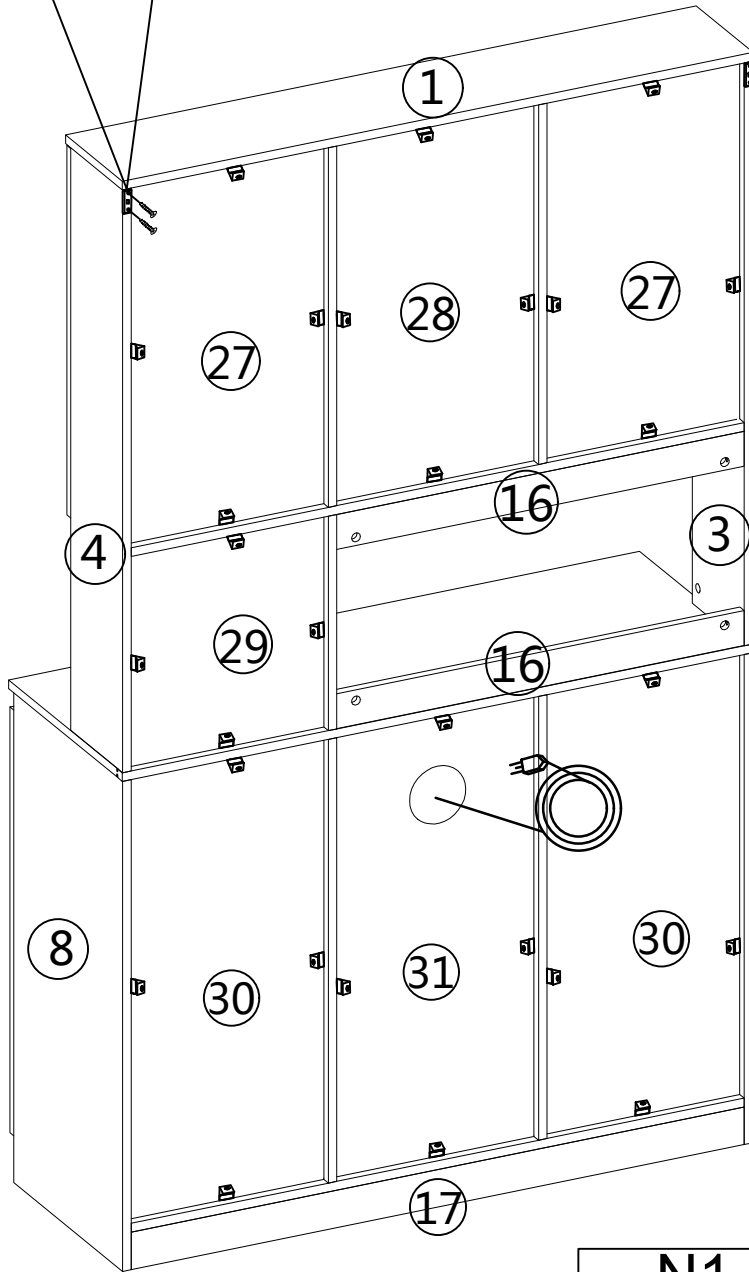
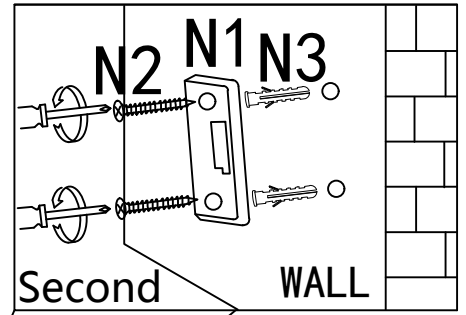
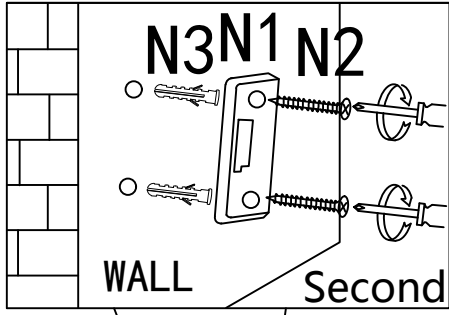
STEP 46

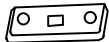
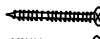


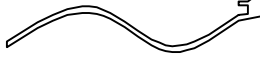
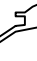






This step is very important to prevent the product from shaking.

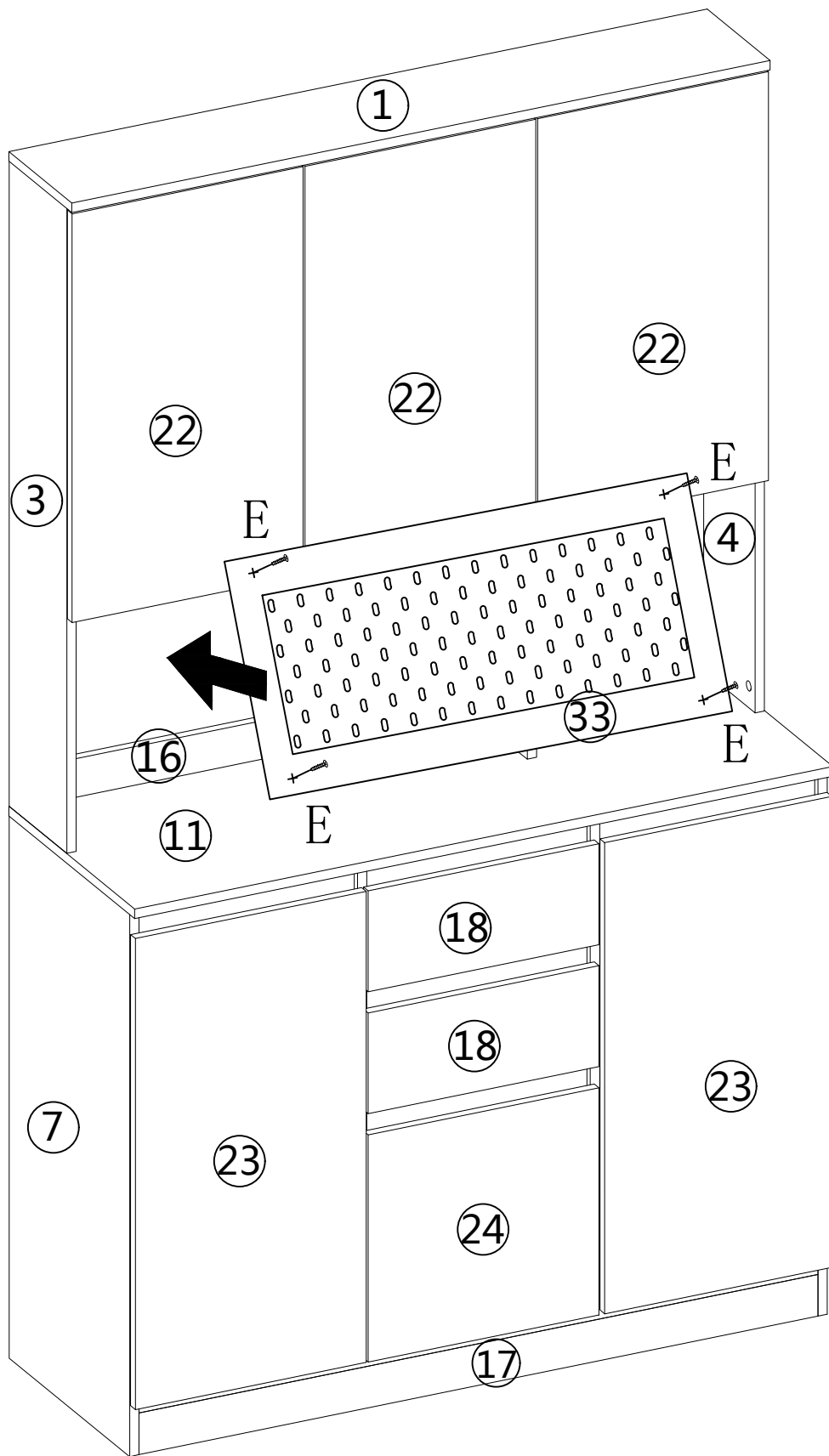
	D × 28PCS
	M × 28PCS

STEP 47



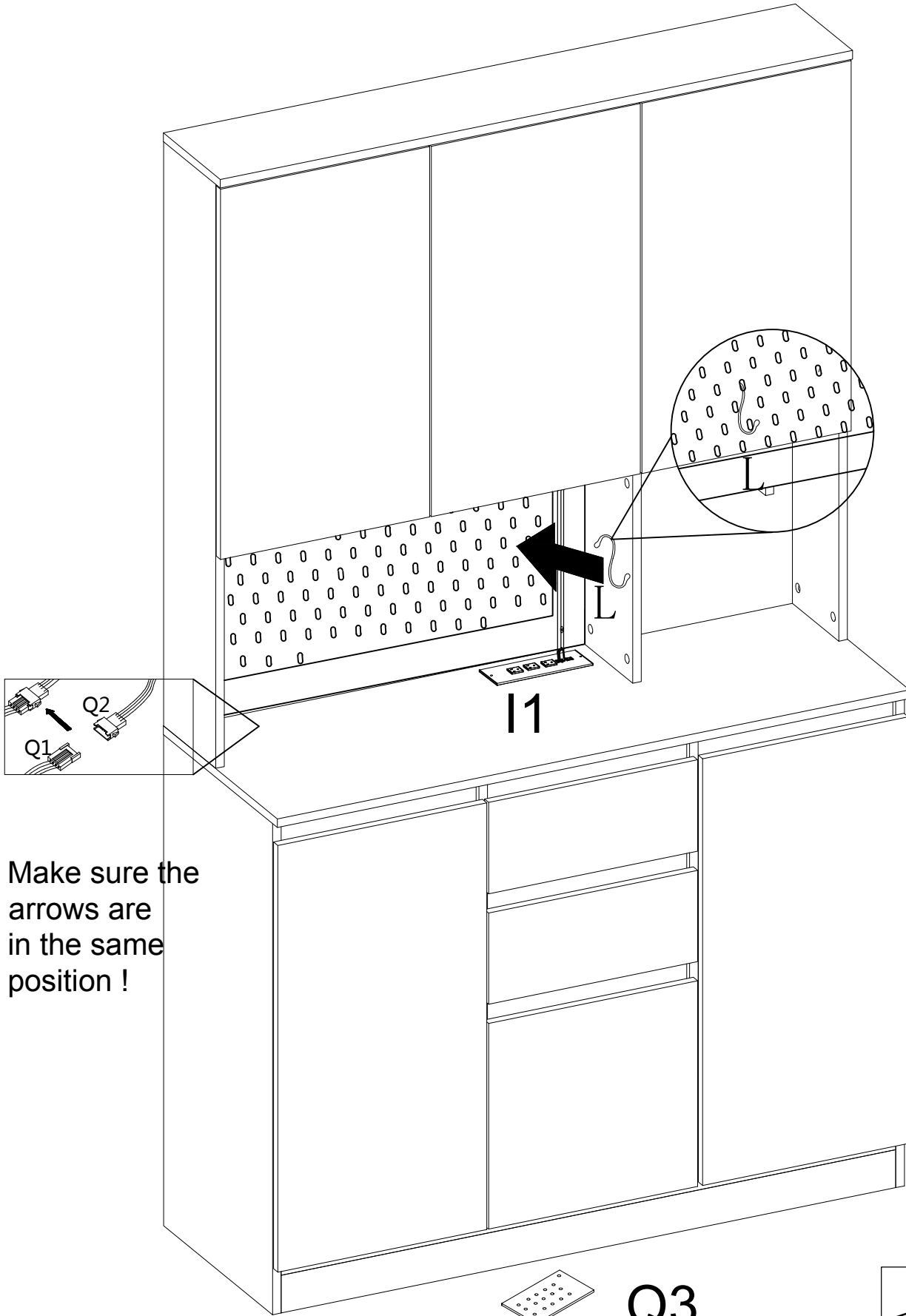
		N1 × 4PCS
		N2 × 4PCS
		N5
		N4 × 4PCS
		N3 × 4PCS
		N5 × 2PCS

STEP 48



E × 4PCS




STEP 49



Make sure the arrows are in the same position !

Q1 and Q2 are connected;
Q2 and I1 are connected;

Last: Plug the Q2 into
the power supply !
Q3 can be adjusted !

	Q2 × 1PC
	Q3 × 1PC
	L × 2PCS

END

