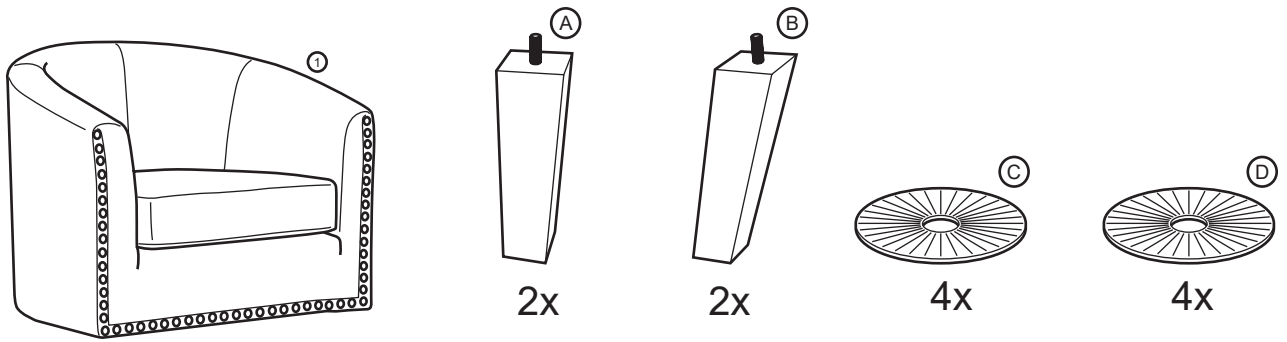
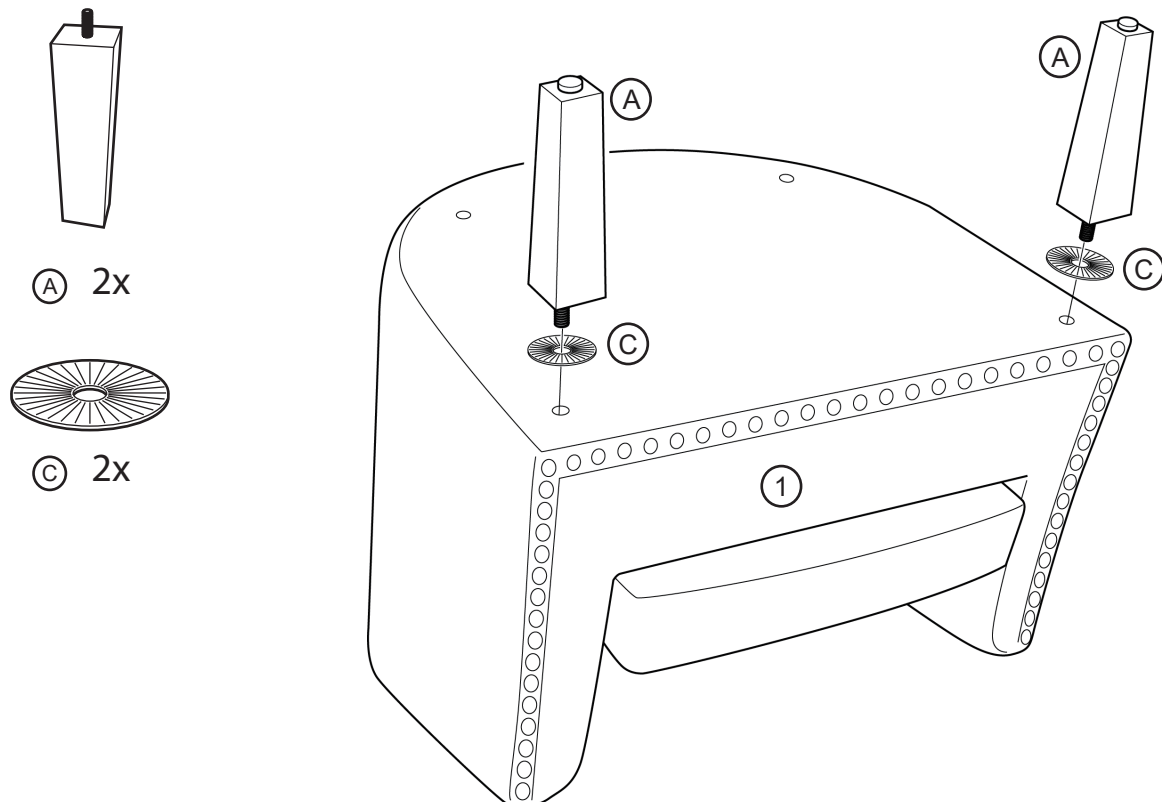


# PACKAGE CONTENTS

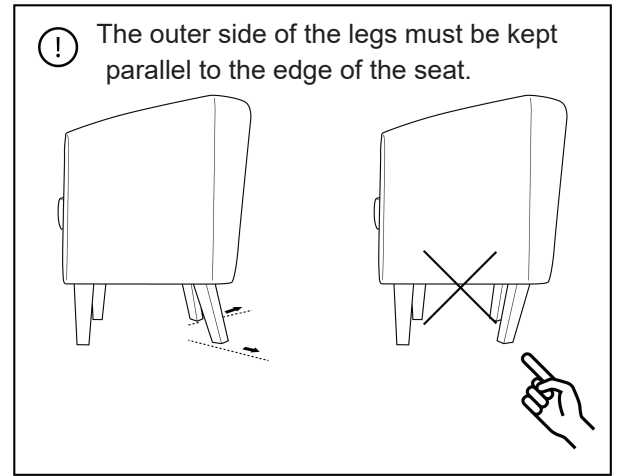
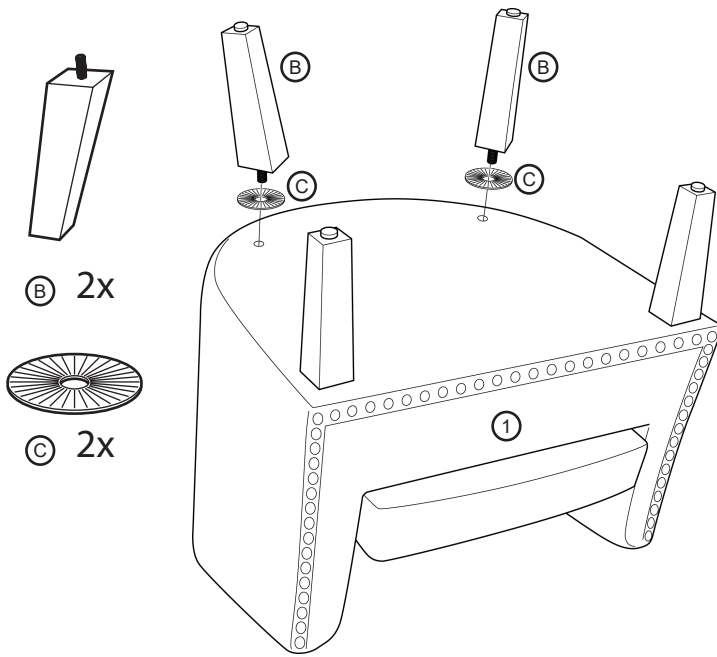


CODE	DESCRIPTION	QTY
1	Seat	1
A	Seat Front Leg	2
B	Seat Back Leg	2
C	Washer	4
D	Washer (Spare Parts)	4

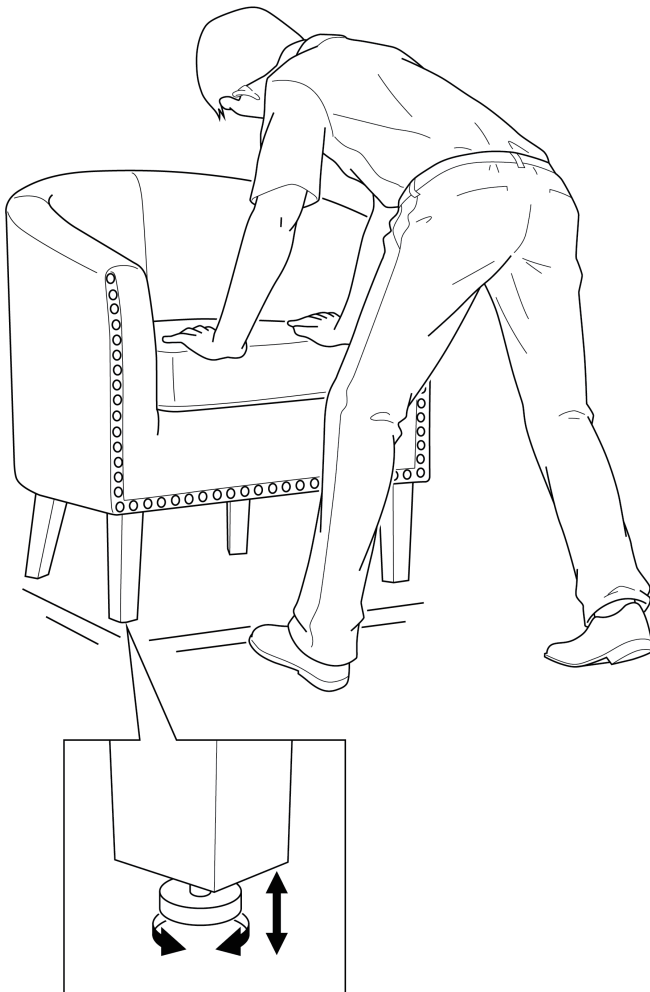
## 1 Attach front legs underneath the seat.



## 2 Attach back legs underneath the seat.



## 3 Level the chair and adjust the leg leveler if necessary.



**YOU'RE FINISHED!**