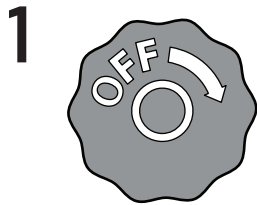


## PLP PULLDOWN FAUCET LEVER SPRAYER



### BEFORE YOU BEGIN YOUR INSTALLATION:



Turn off water supply.



Observe all local plumbing codes.

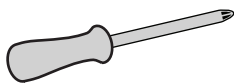


Inspect plumbing for signs of damage. Replace as necessary.

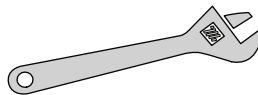


**DO NOT** use petroleum based products on this faucet.

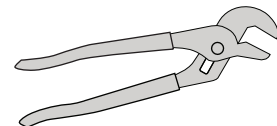
### REQUIRED TOOLS AND MATERIALS:



Phillips Screwdriver



Adjustable Wrench



Channel Locks

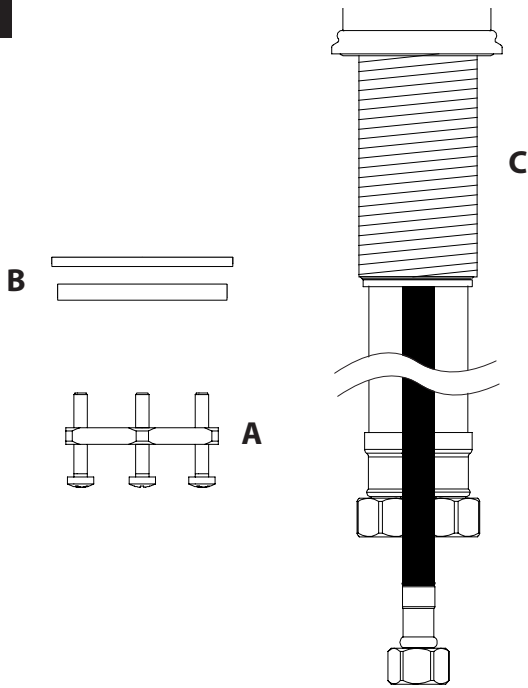
**WARNING:** Cancer and reproductive harm - see [www.P65Warnings.ca.gov](http://www.P65Warnings.ca.gov)

### IMPORTANT!

- Read these instructions and plan the installation before beginning.
- A cold and hot water supply is required for this product.
- Component location, spacing, and situational requirements can vary.

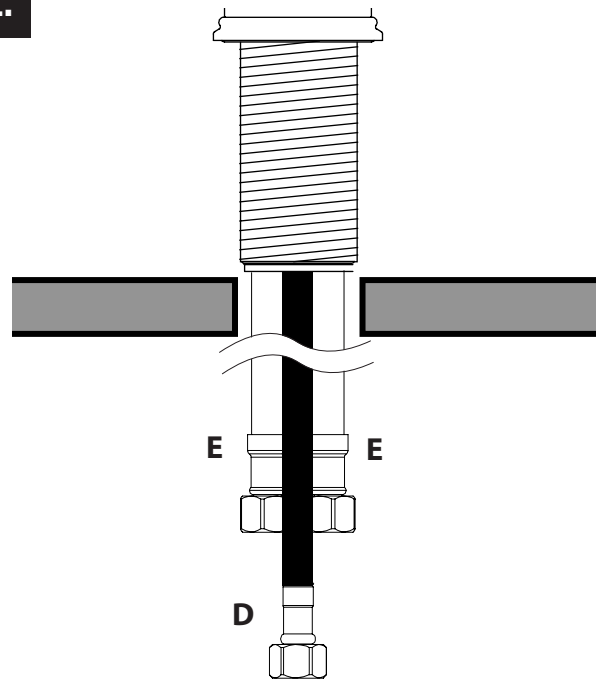
# FAUCET INSTALLATION

1.



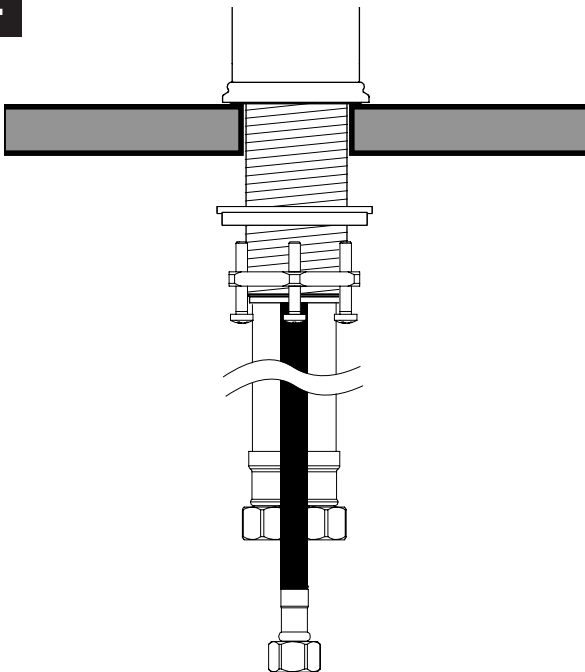
Remove the clamp nut (A) and washer (B) from the threaded shroud (C).

2.



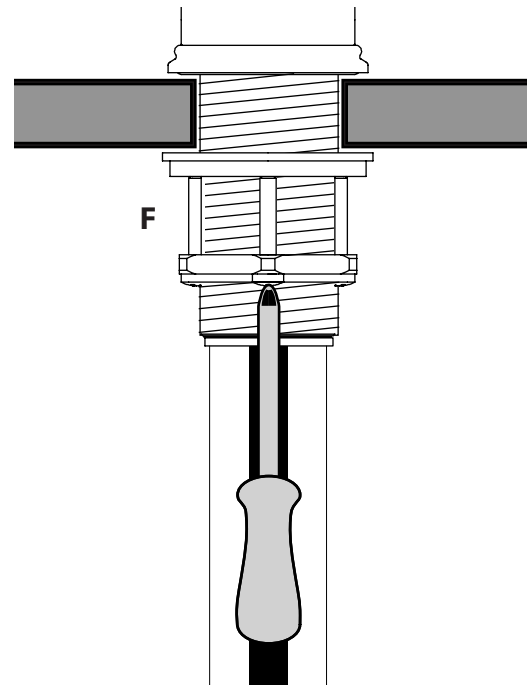
Fit flexible hoses (D) and spray connection tube (E) through hole on counter or sink. (No plumbers putty is required. O-ring seals base).

3.



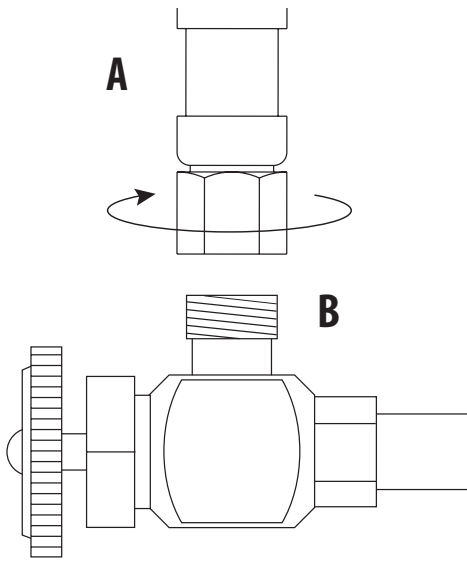
Slide washer and thread the clamp nut onto threaded shroud. Tighten nut snug to underside of sink or counter.

4.



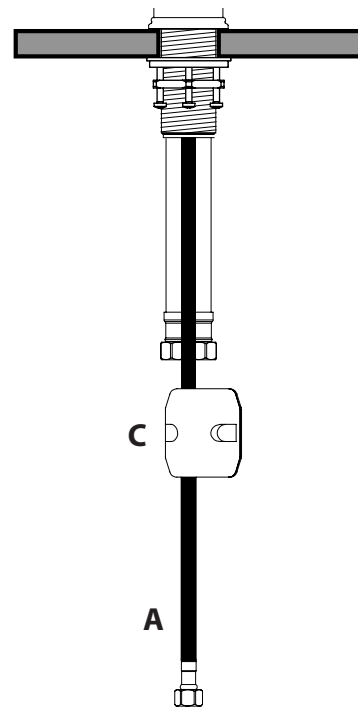
Turn faucet to the desired handle position. Securely tighten clamp screws (F).

## CONNECTING SUPPLY HOSES



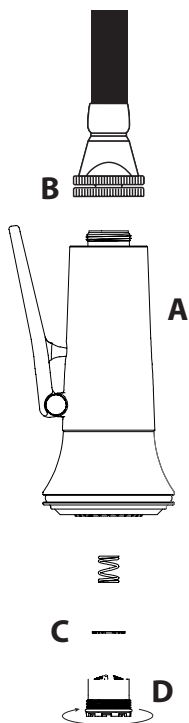
Before connecting supply hoses, flush supply stops to clear any debris. Place a bucket underneath stops and run water for 5 to 10 seconds. Turn water off. Carefully position hot and cold supplies so they do not interfere with other hoses. Connect supply hoses (A) to supply stops (B). **DO NOT** use teflon tape or plumbers putty. Turn water back on and check for leaks.

## CONNECTING COUNTER BALANCE



Make sure spray hose (A) and counter balance (C) are free to slide up and down and are not conflicting with any plumbing components or items under sink.

## CLEANING AERATOR AND DEBRIS SCREEN



1. Turn off water supplies underneath sink and remove any water pressure by opening the faucet handle.
2. Unscrew sprayer (A) from spray hose by holding knurled swivel (B).
3. Inspect, remove and clean debris screen (C) in sprayer.
4. Thoroughly rinse aerator (D) with water until all debris is removed.
5. Once cleaned, replace debris screen (C) and aerator (D) then reattach to swivel.
5. Close faucet handle and turn on water supplies. Make sure sprayer is secure and sealed by running faucet.

**ASPECT**  
BY WATERSTONE

41180 Raintree Court, Murrieta, CA 92562  
888-350-4725  
www.aspectfaucets.com