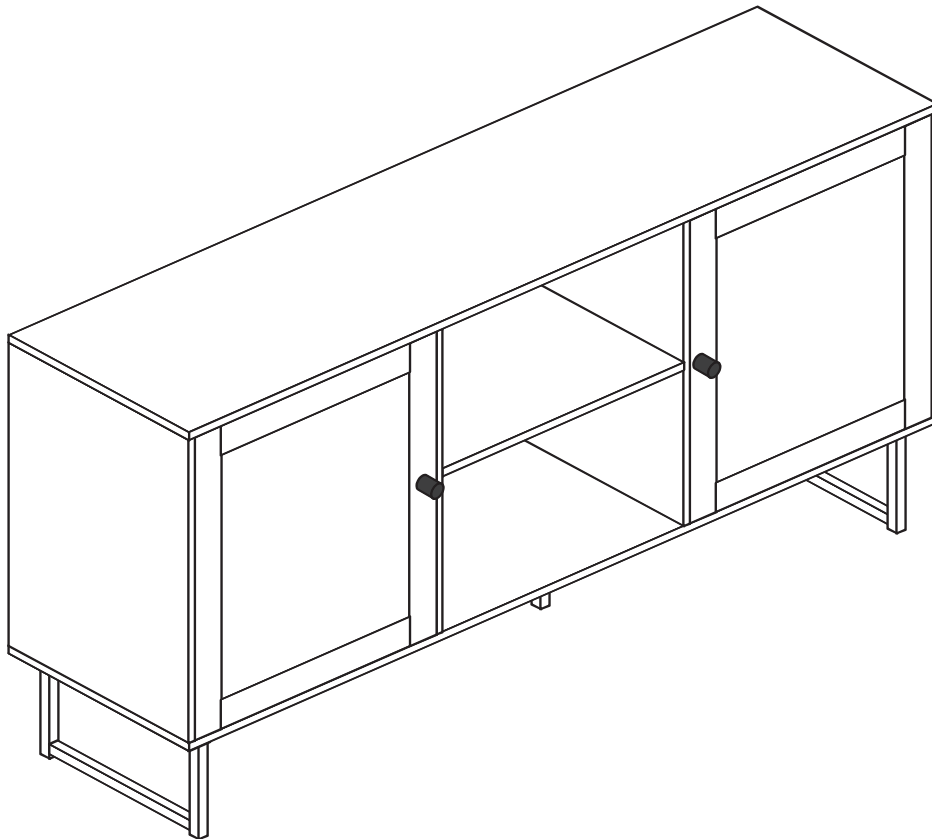


Let's build the

Mina Media Unit

SKU 74101



Scan me!

Inspiration
Digital Instructions
Free Lifetime Warranty

nathan james

23-0525-VN

Ok, let's get rolling

This should be easy, just follow our instructions and you will be back to Netflix in no time.

Estimated time for assembly



45:00

What you need

- Some of your favourite bubbly or your preferred relaxant
- Use the packaging carton as a working surface to prevent product damage during assembly
- Phillips-head screwdriver

Do not use a drill



Weight Limitation



300 lbs (max. capacity)



100 lbs
top of cabinet

33 bs
per adjustable shelf
(x3)

Toll-free at 1-866-619-1004
Help@nathanjames.com
Nathanjames.com/help

What's included

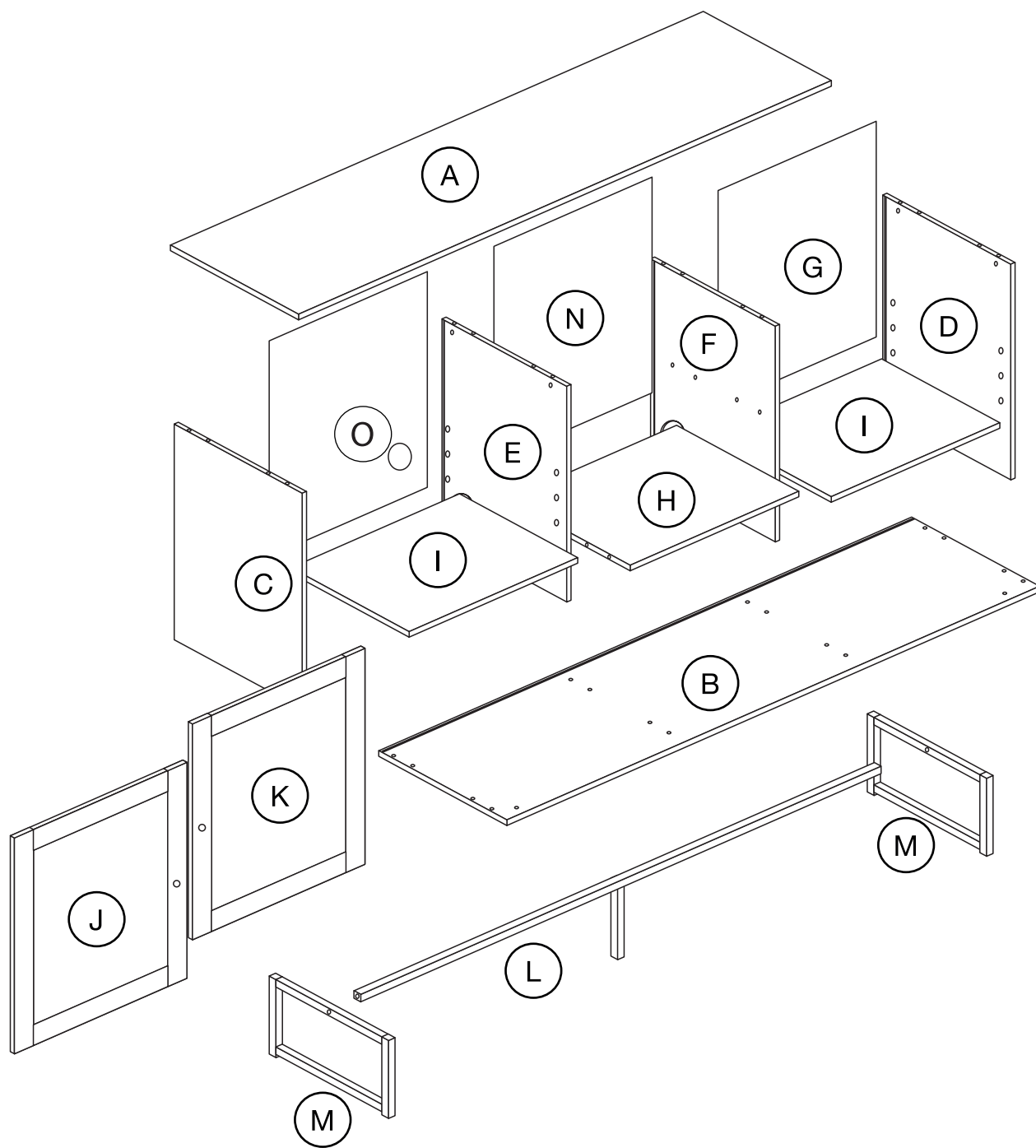
Description	Qty
A Top Panel	1
B Bottom Panel	1
C Left Side Panel	1
D Right Side Panel	1
E Left Middle Side Panel	1
F Right Middle Side Panel	1
G Right Side Back Panel	1
H Middle Shelf	1
I Side Shelf	2
J Left Door	1
K Right Door	1
L Back Stretcher	1
M Side Metal Frame	2
N Middle Back Panel	1
O Left Side Back Panel	1

Scan me!

Inspiration
Digital Instructions
Free Lifetime Warranty



The goods



IMPORTANT

1. Do not tighten bolts / screws completely until all bolts / screws are lined up and inserted into holes.
2. Do not over tighten screws and bolts to avoid stripping.
3. Please use hand tools to assemble this product. Do not use power tools.



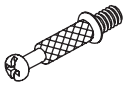
What's included

	Description	Qty
1	M6*35mm Cam Bolt	12
2	15*10mm Cam Lock	12
3	M6*30mm Wooden Dowel	20
4	M4*35mm Screw	8
5	Magnetic Door Catch	2
6	Metal Hinge	4
7	Metal Pin	8
8	M4*14mm Screw	12
9	M6*28mm Bolt	8
10	Handle	2
11	M3*12mm Screw	2
12	M4*16mm Bolt	2
13	Allen Key	1



The goods

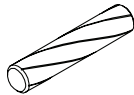
1



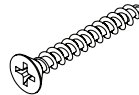
2



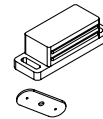
3



4



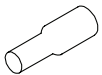
5



6



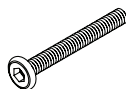
7



8



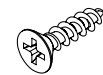
9



10



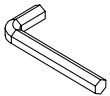
11



12



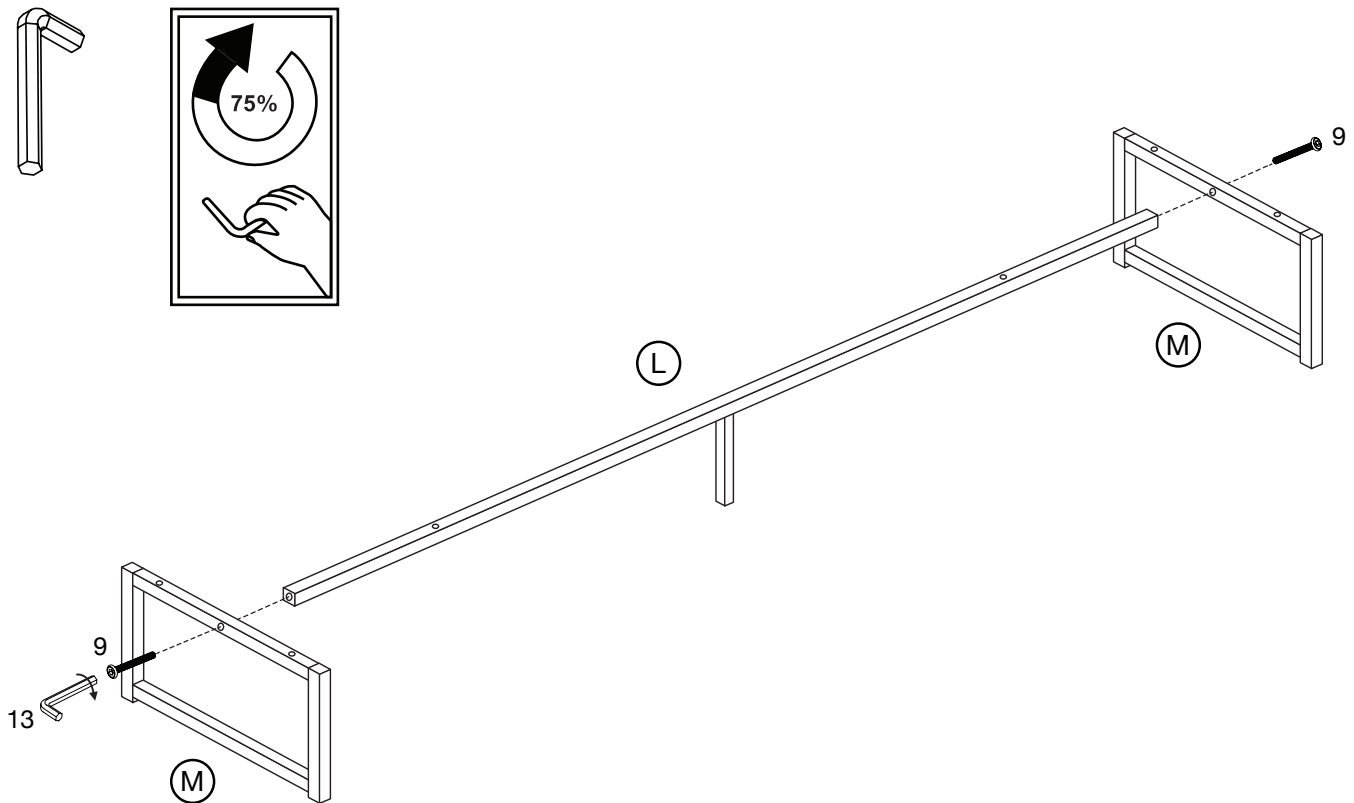
13



Step 1

Let's get this thing fired up!

Start by screwing on the Back Stretcher (L) to the Side Metal Frames (M) using the M6*28mm Bolts (9). Tighten to 75% using the Allen Key (13).

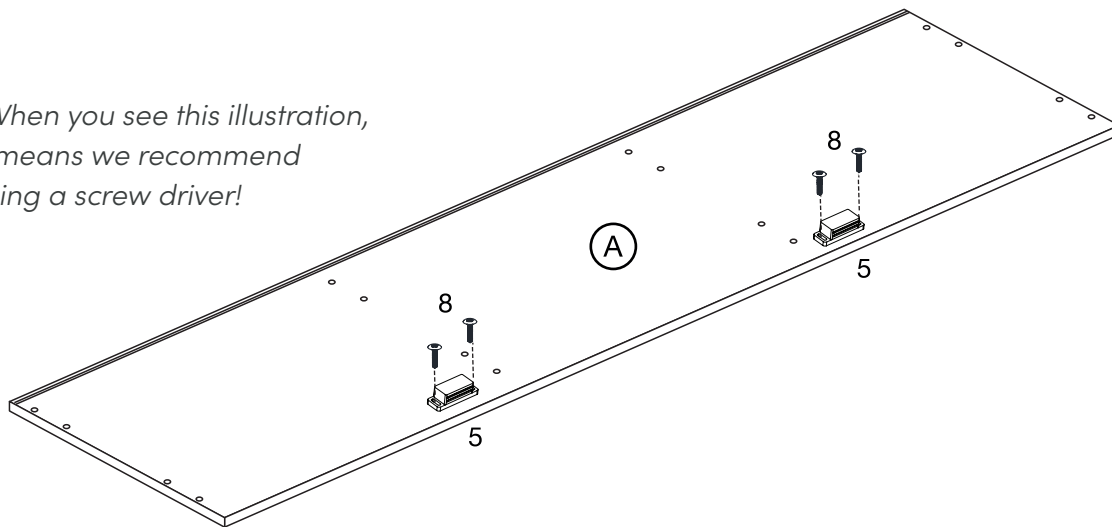


Step 2

Buckle up, this is where things get tricky...JK, simply screw on the Magnetic Door Catches (5) to the Top Panel (A) using the M4*14mm Screws (8) with a Phillips head screw driver.

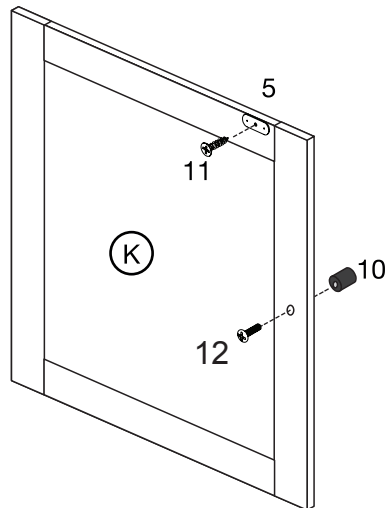
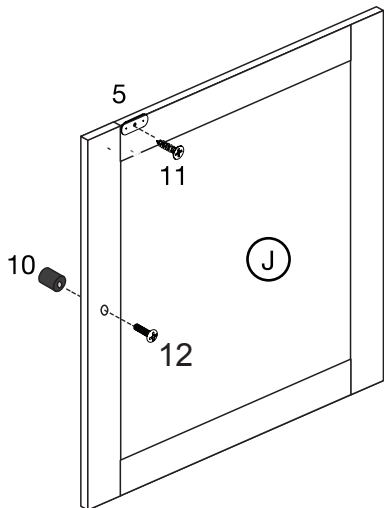
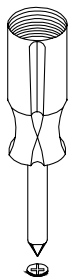


**When you see this illustration, it means we recommend using a screw driver!*



Step 3

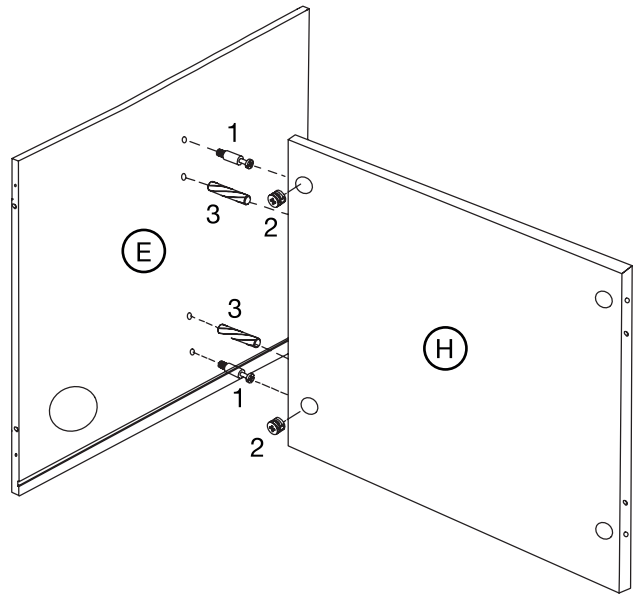
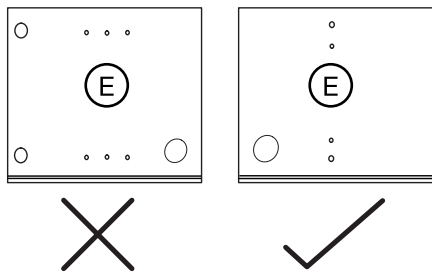
Attach the other half of the Magnetic Door Catches (5) and Handles (10) on both sets of doors. Attach using the M3*12mm Screws (11) for the Magnetic Door Catches (5) and the M4*16mm Bolts (12) for the Handles (10).



Step 4

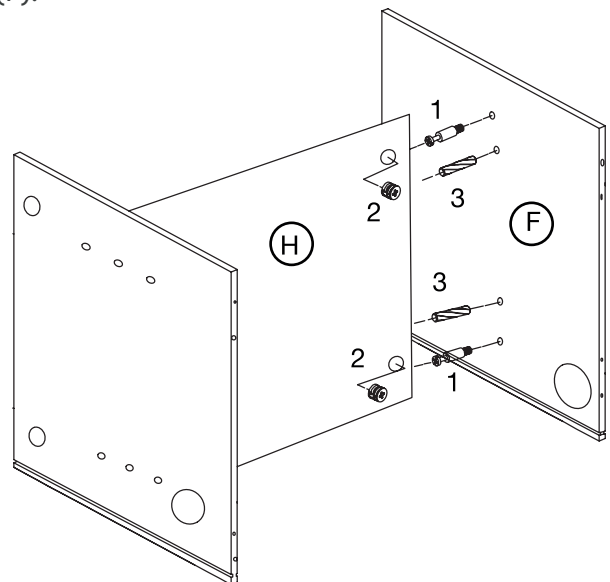
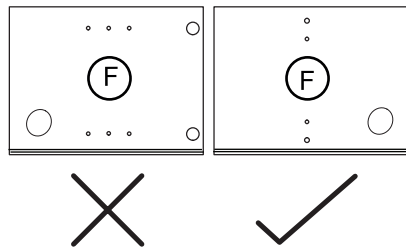
How much wood could a woodchuck chuck?...I apologize, please insert M6*30mm Wooden Dowels (3) and the M6*35mm Cam Bolts (1) into Left Middle Side Panel (E).

Attach the Left Middle Side Panel (E) to the Middle Shelf (H) by aligning the Wooden Dowels (3) and Cam Bolts (1) with the holes in the side of the Middle Shelf (H). Lock the Cam Bolts (1) in place using the 15*10mm Cam Locks (2).



Step 5

Repeat this process with the Right Middle Side Panel (F).

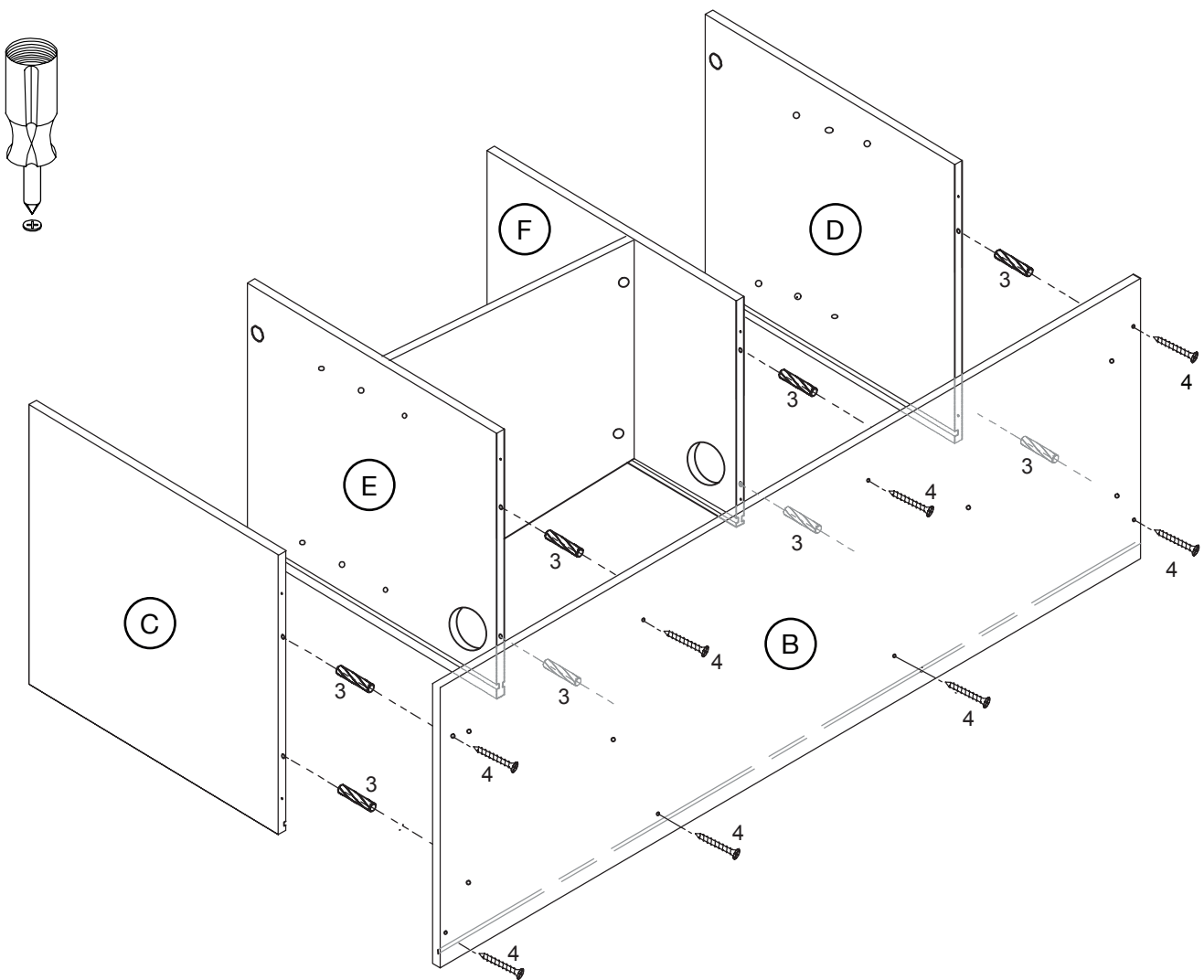


Step 6

Stay strong, you're halfway there!

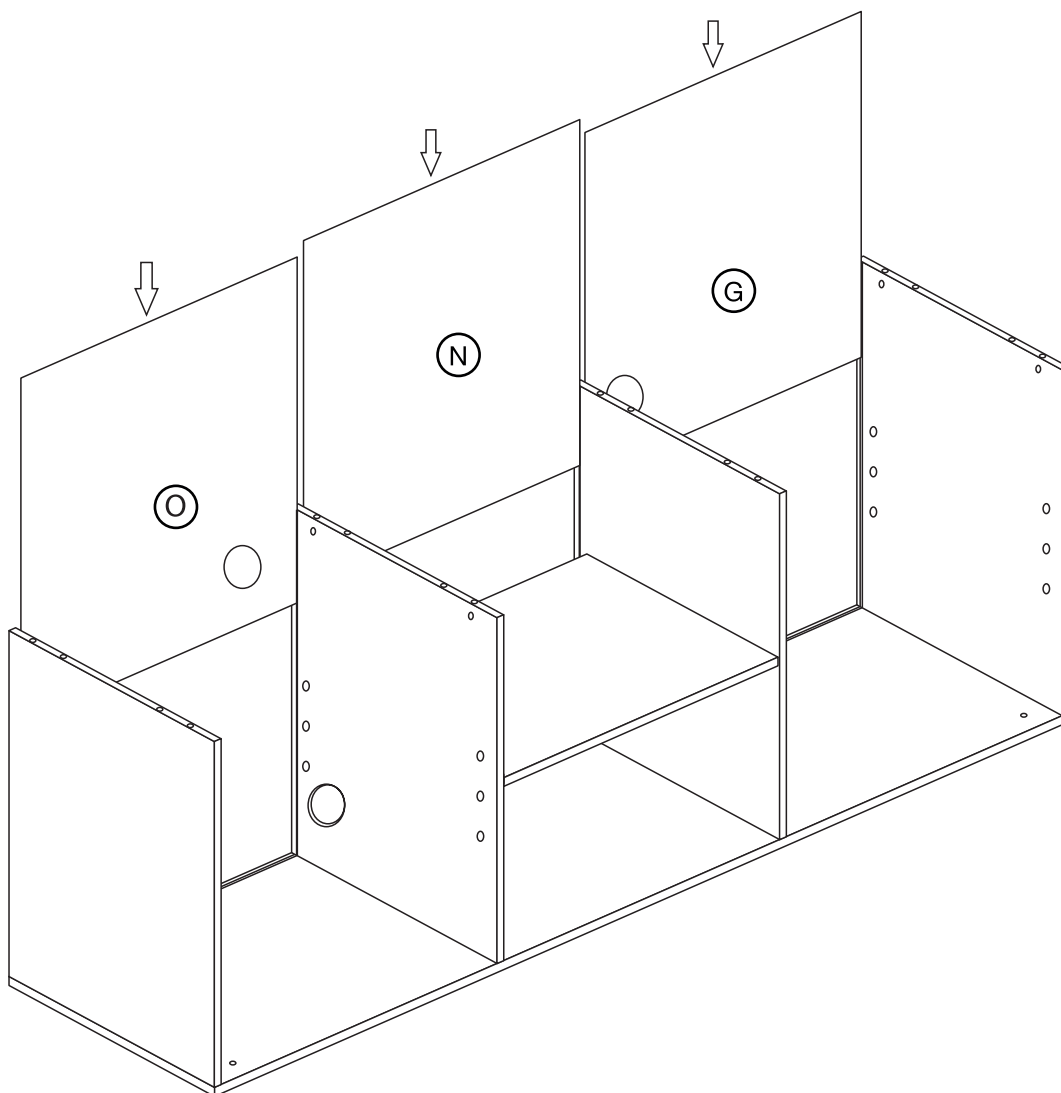
Now it's time to start attaching all of the panels together. Attach the Left Side Panel (C) to the Bottom Panel (B) by inserting Wooden Dowels (3) into the holes along the side of the Left Side Panel (C) and aligning it with the holes in the Bottom Panel (B). Once aligned, use the M4*35mm Screws (4) to secure in place.

Repeat this process with the Right Side Panel (D) and the middle section (E)(F)(H) that you assembled in the previous step.



Step 7

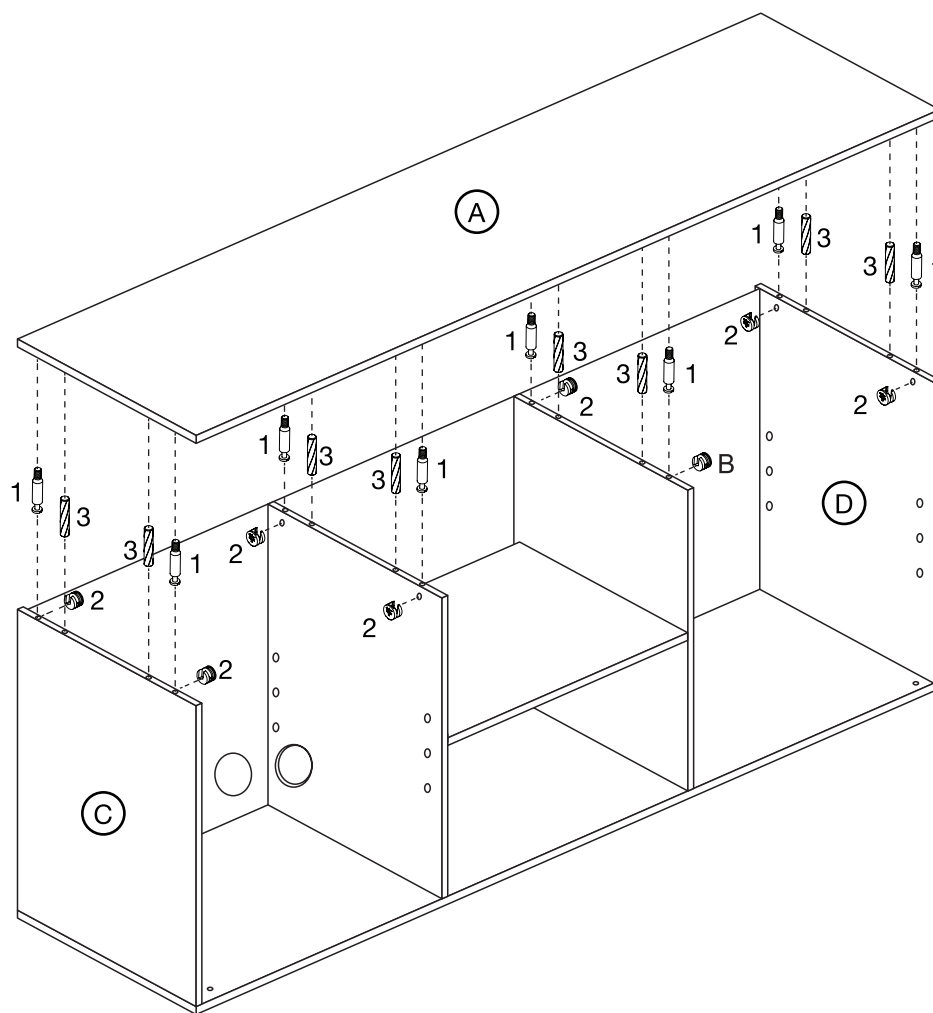
Slide in the Middle Back Panel (N) and Side Back Panels (G) and (O).



Step 8

Here comes those wooden dowels again...don't worry, this is the last step you'll be using them. Now might be a good time to order some pizza, because you're almost done!

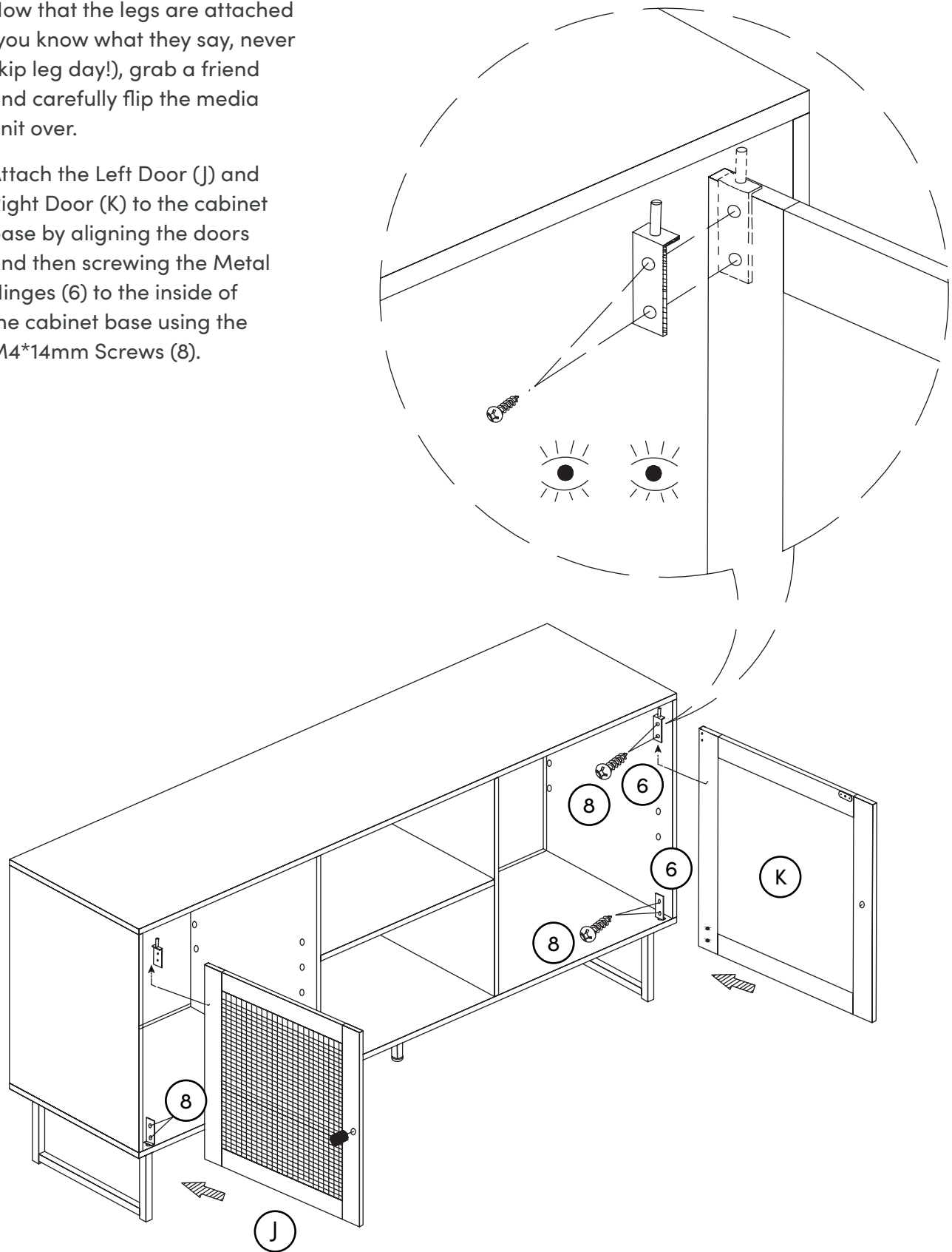
Now attach the Top Panel (A) to the rest of the cabinet by inserting the M6*35mm Cam Bolts (1) and M6*30mm Wooden Dowels (3) into the coordinating holes. See the diagram below for proper placement. Lock the Cam Bolts (1) in place using the 15*10mm Cam Locks (2).



Step 10

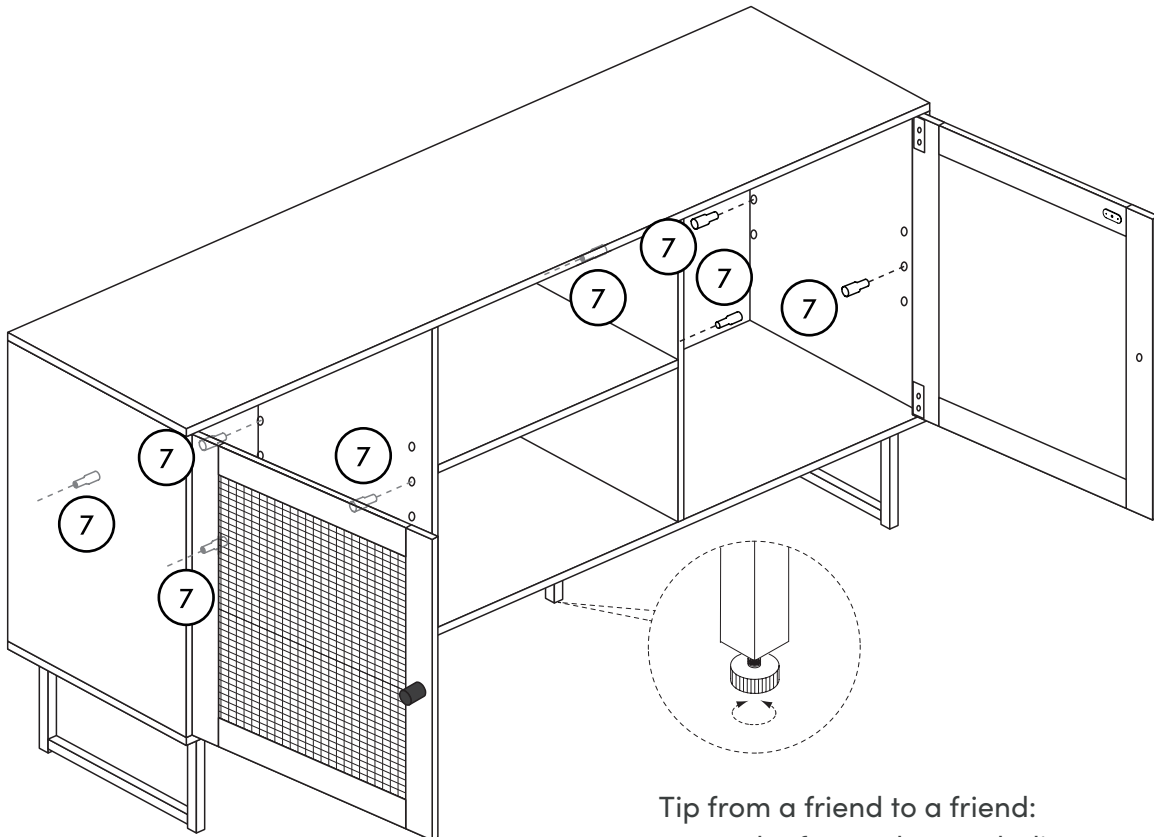
Now that the legs are attached (you know what they say, never skip leg day!), grab a friend and carefully flip the media unit over.

Attach the Left Door (J) and Right Door (K) to the cabinet base by aligning the doors and then screwing the Metal Hinges (6) to the inside of the cabinet base using the M4*14mm Screws (8).



Step 11

Twist in the Metal Pins (7) to the cabinet base at your desired height. These are what your shelves will rest on.



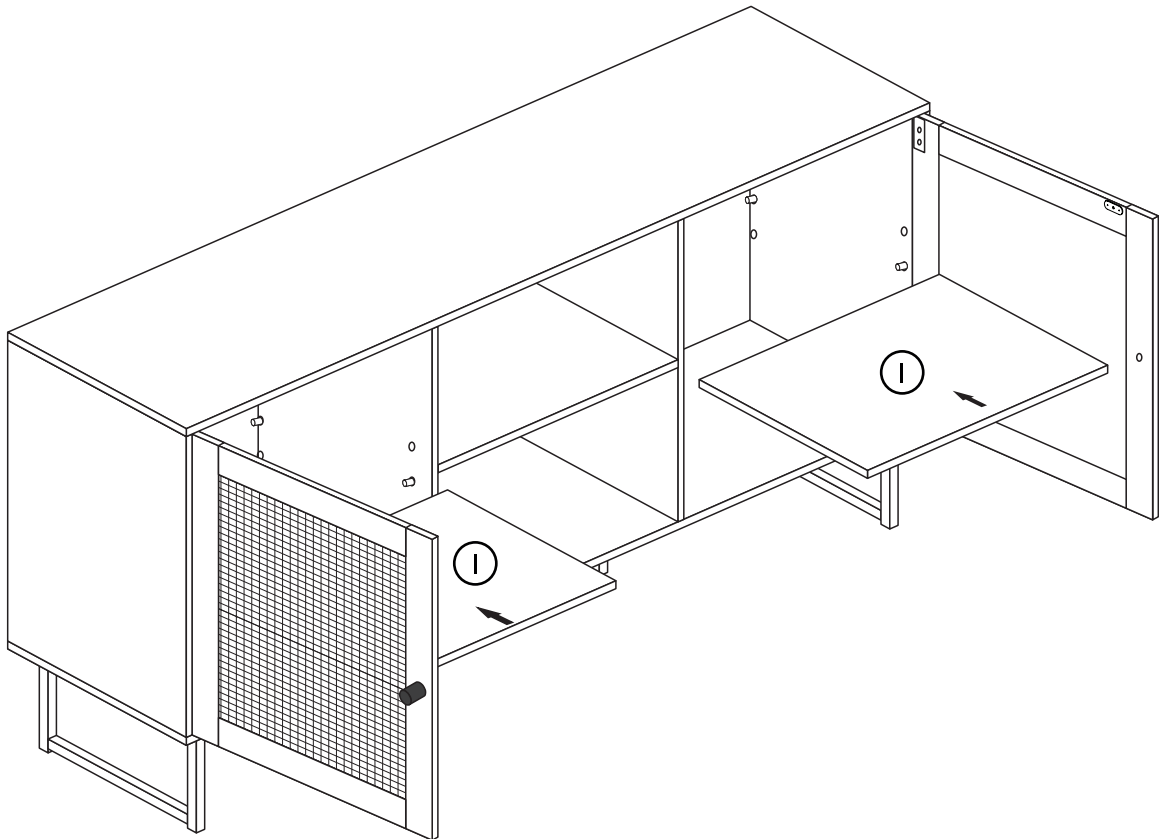
Tip from a friend to a friend:
rotate the footpads to stabilize
the media unit.



Step 12

Last, but not least, slide your
Side Shelves (I) in. Ta-da!
All done!

Cue the party music

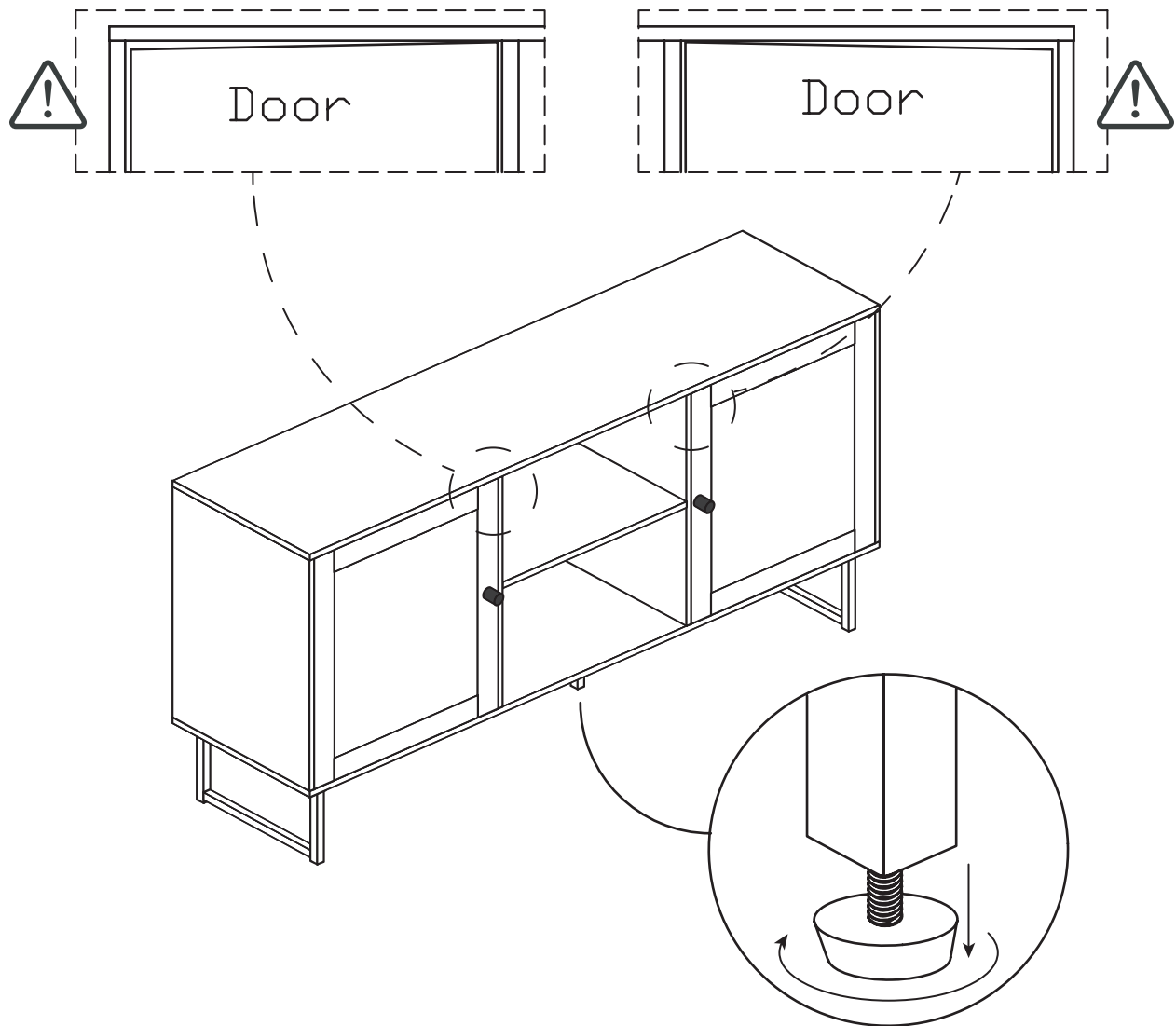


Are the doors on your media unit jamming or sitting askew?

If your media unit seems to be experience issues with the doors jamming or not closing properly, try adjusting the adjustable foot on the middle support leg under the unit.

This will prove to be especially helpful if you didn't start to notice an issue with the doors until after you started filling the cabinets, shelves, etc...

The adjustable nature of the middle support leg is specifically intended to help prevent the middle of the unit from sagging when loaded with all of your belongings.



No heartburn, when we handle the return

Give us a call **1-866-619-1004** or shoot us a message at **help@nathanjames.com** we will issue you a free replacement with **zero hassle**.

Our way



Give us a call



Replacement



You

Their way



Re-package item



Schedule pick up



Track package



Replacement



You

We really don't want you to go through the hassle of re-packaging your item and sending it back, because let's be honest...nobody has time for that.



Safety first, fun later

We want your Mina Media Unit to last as long as possible, so we recommend that you tighten the screws 2 weeks after assembly and for added safety check the tightness of all screws every 2 months.

For proper care and treatment of wood please check our website at NathanJames.com/products

Safe use of this product starts with you.

Use this media unit responsibly with the primary concern for your safety. Follow assembly instructions carefully and inspect product upon receipt and each use.

Nathan James and its parent companies cannot be held legally responsible for any injuries or death resulted from failure to follow instructions or improper use of this product.

Do not modify the structure of this product in any way.

Our products have been tested to meet specific safety measures as they were originally intended to be sold. Any modifications will present the risk of creating significant safety issues which NJ will not be responsible for.

Proper use

- DO NOT** use for commercial purposes
- DO NOT** place on uneven floor or surface
- DO NOT** use as a step-stool or stand on media unit
- DO NOT** put hot serving liquid directly on media unit
- DO NOT** leave spilled liquid on media unit
- DO NOT** use if media unit is damaged or broken
- DO NOT** make temporary repairs
- DO NOT** use outdoors



We are only in business if you're happy

For starters, thanks for being you.

☎ Toll-free at 1-866-619-1004

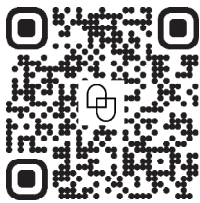
✉ Help@nathanjames.com

🌐 NathanJames.com/help

We do our best to ensure your furniture arrives without any problems, but occasionally mistakes happen—as humans we are imperfect beings. In the event that a part is damaged or missing, we will be more than happy to provide you with replacement part(s) for free.

Warranty

This product comes with a lifetime warranty from the date of purchase. Please use your phone to scan the QR code to register your product or visit <https://goo.gl/i9dk3q>



Did we do alright? Please spread the love!

If you are happy with your product, tell your friends and family about us or even better leave us a review online. Spreading the word gives us the opportunity to make more people happy and keep our prices low for your next purchase.

Brooklyn Burdon

Founder, Nathan James