

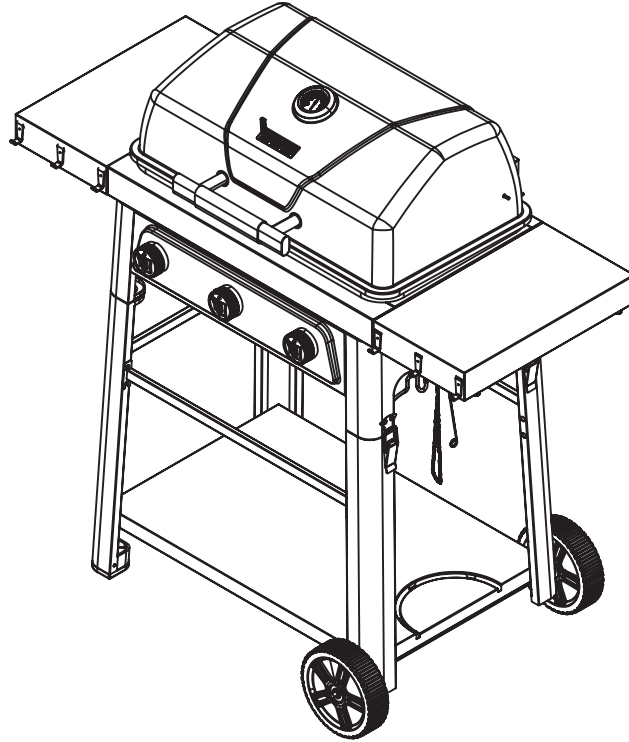
OWNER'S MANUAL

Bronco2 3 Burner Gas Grill BMBRON2-3B / BG2046A3

WARNING
FOR YOUR SAFETY:
For Outdoor Use Only
(Outside any enclosure)

- WARNING**
FOR YOUR SAFETY:
- Improper Installation, adjustment, alteration, service or maintenance can cause injury or property damage.
 - Read the installation, operation, and maintenance instructions thoroughly before installing or servicing this equipment.
 - Failure to follow these instruction could result in fire or explosion, which could cause property damage, personal injury, or death.
 - This instruction manual contains important information necessary for the proper assembly and safe use of the appliance.
 - Read and follow all warnings and instructions before assembling and using the appliance.
 - Follow all warnings and instructions when using the appliance.
 - Keep this manual for future reference.

- WARNING**
- Do NOT store or use gasoline or other flammable liquids or vapors in the vicinity of this or any other appliance.
 - An LP cylinder not connected for use shall NOT be stored in the vicinity of this or any other appliance.



Keep this manual for future reference.

This instruction manual contains important information necessary for the proper assembly and safe use of the appliance.

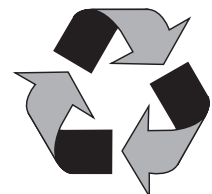
Read and follow all warnings and instructions before assembling and using the appliance.

Follow all warnings and instruction when using the appliance

DANGER

If you smell gas -

- Shut off gas to appliance.
- Extinguish any open flame.
- Open lid.
- If odor continues, keep away from the appliance and immediately call your gas supplier or your fire department.



Made from 75% Bagasse
(environmentally-friendly sugar cane
pulp by-product)

Important Safeguards

- ⚠ **DANGER:** Failure to follow the dangers, warnings and cautions in this manual may result in serious bodily injury or death, or in a fire or an explosion causing damage to property
-
- ⚠ **WARNINGS:**
 - ⚠ This Barbecue is for outdoor use only, and should not be used in a building, garage or any other enclosed area.
 - ⚠ Do Not operate, light or use this appliance within ten feet (3.05m) of walls, structure or buildings.
 - ⚠ For residential use only. This Barbecue is NOT for commercial use.
 - ⚠ This BBQ is not intended for and should never be used as a heater. TOXIC fumes can accumulate and cause asphyxiation.
 - ⚠ This Barbecue is safety certified for use in any other location. Modification will result in a safety hazard and will void your warranty.
 - ⚠ This Barbecue is for use with liquid propane (LP) gas only. The conversion to or attempted use of natural gas in this LP gas Barbecue is dangerous, may cause bodily harm and will void your warranty.
 - ⚠ LP gas characteristics:
 - a. LP gas is flammable and hazardous if handled improperly. Be come aware of the characteristics before using any LP gas product.
 - b. LP gas is explosive under pressure, heavier than air, and settles/pools in low areas.
 - c. LP gas in its natural state has no odor. For your safety, an odorant is added that smells like rotten cabbage.
 - d. Contact with LP gas can cause freeze burns to skin.
 - ⚠ Apartment dwellers: Check with management to learn the requirements and fire codes for using a LP gas Barbecue in your apartment complex.
 - ⚠ LP gas cylinder needed to operate. Only cylinders marked "propane" may be used.
 - ⚠ The LP gas cylinder must be constructed and marked in accordance with the Specification for LP-gas Cylinders of the U.S. Department of Transportation (D.O.T.) or the National Standard of Canada, CAN/CSA-B339, Cylinders, Spheres and Tubes for the Transportation of Dangerous Goods; and Commission.
 - ⚠ LP gas cylinder must be arranged for vapor withdrawal.
 - ⚠ The LP gas cylinder must have a listed overfilling prevention device (OPD).
Only use LP gas cylinders equipped with a cylinder connection device compatible with the connection for outdoor cooking appliances.
 - ⚠ The LP gas cylinder must have a cylinder collar to protect the cylinder valve.
 - ⚠ Never use an LP gas cylinder with a damaged body, valve, collar or footing.
 - ⚠ Dented or rusted LP gas cylinder may be hazardous and should be checked by your LP gas supplier prior to use.
The LP gas cylinder should not be dropped or handled roughly.
 - ⚠ LP gas cylinders must be stored outdoors out of reach of children and must not be stored in a building, garage or any other enclosed area. Your cylinder must never be stored where temperatures can reach over 125F.
 - ⚠ Do NOT insert any tool or foreign object into the valve outlet or safety relief valve. You may damage the valve and cause a leak. Leaking propane may result in an explosion, fire, severe personal injury or death.
 - ⚠ Do NOT block holes in sides or back of Barbecue.
 - ⚠ Never keep an LP gas cylinder in a hot car or trunk. Heat will cause the gas pressure to increase, which may open the relief valve and allow gas to escape.
 - ⚠ Place dust cap on cylinder valve outlet whenever the cylinder is not in use. Only install the type of dust cap on the cylinder valve outlet that is provided with the cylinder valve. Other types of caps or plugs may result in leakage of propane.
 - ⚠ If Barbecue is not in use, the gas must be turned off at the supply cylinder and disconnected.
 - ⚠ Do NOT store a spare LP gas cylinder under or near this appliance. If not followed, a fire causing death or serious injury may occur.
 - ⚠ Never fill the cylinder beyond 80 percent full. If not followed, a fire causing death or serious injury may occur.
 - ⚠ Keep the fuel supply hose away from any heated surfaces.
 - ⚠ A fire causing serious injury or damage to property may occur if the above is not followed exactly.
 - ⚠ Never attempt to attach this Barbecue to the self-contained LP gas system of a camper trailer, motor home or house.
 - ⚠ Never use charcoal, lighter fluid, lava rocks, gasoline, kerosene or alcohol with this product.
 - ⚠ Your Barbecue has been checked at all factory connections for leaks. Re-check all connections as described in the "Operating Instructions" section, as shipping can loosen connections.
 - ⚠ Check for leaks even if your unit was assembled for you by someone else.
 - ⚠ Do NOT operate if a gas leak is present. Gas Leaks may cause a fire or explosion.
 - ⚠ You must follow all instructions in the "Checking for Leaks" section before operating. To prevent fire or explosion hazard when testing for a leak:
 - a. Always perform a leak test before lighting the BBQ and each time the cylinder is connected for use.
 - b. No smoking. Do NOT use or permit sources of ignition in the area while conducting a leak test.
 - c. Conduct the leak test outdoors in a well-ventilated area.
 - d. Do NOT use matches, lighters, or a flame to check for leaks.
 - e. The use of alcohol, prescription or non-prescription drugs may impair the consumer's ability to properly assemble or safely operate the appliance.
 - f. Strong odors, colds, sinus congestion, etc. may prevent the detection of propane. Use caution and common sense when testing for leaks.
 - g. Do NOT use Barbecue until any and all leaks are corrected.
If you are unable to stop a leak, disconnect the LP gas supply. Call a gas appliance serviceman or your local LP gas supplier.
 - ⚠ This Barbecue is designed to operate at an inlet pressure of 11 inches water column.
 - ⚠ Do NOT store or use gasoline or other flammable liquids or vapors within 25 feet (7.62 m) of this appliance.
 - ⚠ Do NOT use in an explosive atmosphere. Keep Barbecue area clear and free from combustible materials, gasoline and other flammable vapors and liquids.
 - ⚠ Minimum clearance from sides and back of unit to combustible construction is 30 inches (76.2 cm). Do NOT use this appliance under any type of overhang or roof.
 - ⚠ It is essential to keep the Barbecue's valve compartment, burners and circulating air passages clean.
 - ⚠ Inspect Barbecue before each use.
 - ⚠ Do NOT alter Barbecue in any manner. Any alteration will void your warranty.
 - ⚠ Do NOT use the Barbecue unless it is COMPLETELY assembled and all parts are securely fastened and tightened.
 - ⚠ Do NOT build this model of Barbecue in any built-in or slide-in construction. Ignoring this warning could cause a fire or an explosion that can damage property and cause serious bodily injury or death.
 - ⚠ This Barbecue should be thoroughly cleaned and inspected on a regular basis.
 - ⚠ Clean and inspect the hose before each use of the appliance. If there is evidence of abrasion, wear, cuts or leaks, the hose must be replaced prior to operation.
 - ⚠ Use only the regulator and hose assembly provided. Use only the replacement regulator and hose assembly specified by CAPTIVATE BRANDS USA INC.
 - ⚠ Use only CAPTIVATE BRANDS USA INC. factory authorized parts. The use of any part that is not factory authorized can be dangerous and will void your warranty.
 - ⚠ Do NOT operate this appliance without reading "Operating Instructions" in this manual.
 - ⚠ Do NOT attempt to disconnect the gas regulator from the cylinder or any gas fitting while the Barbecue is in use.
 - ⚠ Always place your Barbecue on a hard, non-combustible, level surface. An asphalt or blacktop surface may not be acceptable for this purpose.
 - ⚠ Move gas hoses as far away as possible from hot surfaces and dripping hot grease.

- ▲ Do NOT touch metal parts of Barbecue until they have completely cooled to avoid burns, unless you are wearing protective gear (pot holders, gloves, BBQ mittens, etc.)
- ▲ Do NOT install or use in or on boats or recreational vehicles.
- ▲ **When cooking, fire extinguishing materials should be readily accessible. In the event of an oil/grease fire, do NOT attempt to extinguish with water. Use type BC dry chemical fire extinguisher or smother with dirt, sand or baking soda.**
- ▲ Do NOT use Barbecue i high winds.
- ▲ Never lean over the Barbecue when lighting.
- ▲ Do NOT leave a lit Barbecue unattended. Keep children and pets away from Barbecue at all times.
- ▲ **Do NOT leave Barbecue unattended while preheating or burning off food residue on high. If Barbecue has not been cleaned, a grease fire can occur that may damage the product.**
- ▲ DO NOT place empty cooking vessels on the appliance while in operation.
- ▲ Use caution when placing anything on the Barbecue while the appliance is in operation.
- ▲ Do NOT attempt to move Barbecue when in use. Allow the Barbecue to cool before moving or storing.
- ▲ LP gas cylinder must be properly disconnected and removed prior to moving this Barbecue.
- ▲ Storage of Barbecue indoors is permissible only if the cylinder is disconnected, removed from the Barbecue and properly stored outdoors.
- ▲ Keep all electrical cords away from a hot Barbecue.
- ▲ After a period of storage and/or nonuse, check for leaks, burner obstructions and inspect for any abrasion, wear or cuts to the hose.
- ▲ Failure to open side shelves while igniting the Barbecue' s burners, or not waiting 5 minutes to allow the gas to clear if the Barbecue does not light, **may result in an explosive flame-up.**
- ▲ Always use a meat thermometer to ensure food is cooked to a safe temperature.
- ▲ Use protective gloves when assembling this product.
- ▲ Do NOT force parts together as this can result in personal injury or damage to the product.
- ▲ Never cover entire cooking area with aluminium foil.
- ▲ Deaths, serious injury or damage to property may occur if the above is not followed exactly.
- ▲ Using pan larger than 240mm diameter in capacity could exceed weight limit of the side burner shelf
- ▲ Do not modify the appliance.
- ▲ **This appliance must be kept away from flammable materials during use.**
- ▲ This outdoor cooking gas appliance is not intended to be installed in or on boats. For other than RV grills, a statement that this appliance is not intended to be installed in or on recreational vehicles.



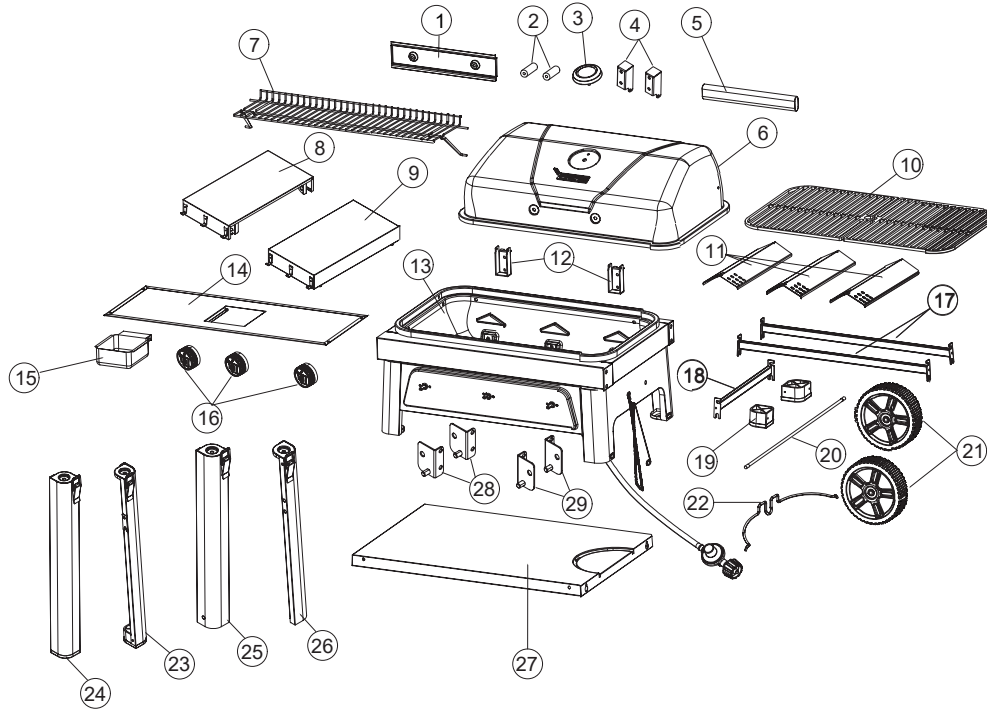
WARNING

CALIFORNIA PROPOSITION 65 WARNING:

- (a) The burning of Gas cooking fuel generates some by products which are on the list of substances known by the State of California to cause cancer, reproductive harm, or other birth defects. To reduce exposure to these substances, always operate this unit according to the use and care manual, ensuring you provide good ventilation when cooking with Gas.
- (b) Handling the brass material on this product exposes you to lead, a chemical known to the State of California to cause cancer and birth defects or other reproductive harm. Wash hands after handling.
- (c) This product contains chemicals, including lead and compounds, known by the State of California to cause cancer, reproductive harm, or other birth defects.
- (d) **Wash your hands after using this product.**

For more information go to: www.P65Warnings.ca.gov

Expanded View



PART LIST

No	Part Name	Qty	No	Part Name	Qty
1	Lid handle heat insulation board	1	16	Knob	3
2	Lid handle support	2	17	Cart rail	2
3	Thermometer	1	18	Cart left rail	1
4	Top hinge	2	19	Leg seat	2
5	Lid handle	1	20	Axle	1
6	Lid	1	21	Wheel	2
7	Warming rack	1	22	Tank clip	1
8	Left table	1	23	Left front leg	1
9	Right table	1	24	Left rear leg	1
10	Cooking grill	2	25	Right front leg	1
11	Heat shield	3	26	Right rear leg	1
12	Bottom hinge	2	27	Cart bottom panel	1
13	Firebox	1	28	Table support 1	2
14	Firebox heat insulator bottom	1	29	Table Support 2	2
15	Grease cup	1			

HARDWARE

No	Part Name	Qty	Picture	No	Part Name	Qty	Picture
A	M6X75mm Nickel Plated Phillips Truss Head	2		F	ST4.2*10 Tapping Screw	4	
B	M6X15mm Philips head screw	36		G	M8 NUT	2	
C	M6x40mm Philips head screw	4		H	HINGE-AXIS	2	
D	Flat Washer	2		I	WAVE PIN	2	
E	Spring Washer	2		J	M6*17 Step screw	4	

ASSEMBLY INSTRUCTIONS

Step 1

DO NOT RETURN TO PLACE OF PURCHASE.

For assistance, call 1.855.200.8445 toll-free. Please have your owner's manual and model number available for reference.

Note: The model number is printed on a label which can be found on the side of the firebox

Assembly Tips:

1. Select an area where you will assemble this product. To protect components, choose a smooth surface that's free of cracks or openings.
2. Spread out all parts.
3. Tighten all hardware connections by hand first. Then, before completing each step, go back and fully tighten all hardware.
Be careful not to over-tighten. That could damage surfaces or strip threads.
4. For best results, complete each step in the order presented.

To complete assembly you will need:

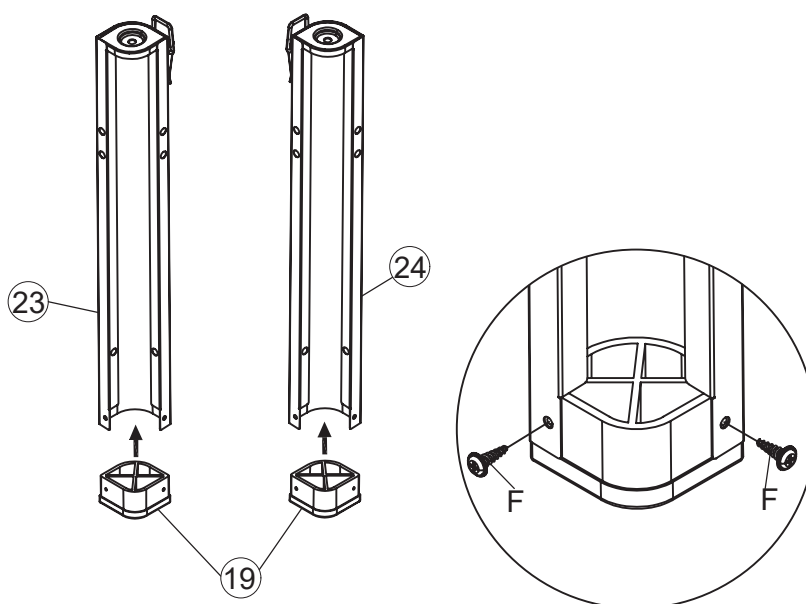
- (1) Leak detection solution (instructions on how to make the solution are included in the "Operating Instructions" section of this manual).
- (2) Precision-filled LP gas grill tank with Acme Type 1 external threaded valve connection.

Typical assembly is approximately one hour.

⚠ CAUTION: Two (2) people are required for assembly.

Step 2

- a) Attach the Leg seat(19) to the Left front(23) and rear(24) foot with 2 Tapping screws(F) each.

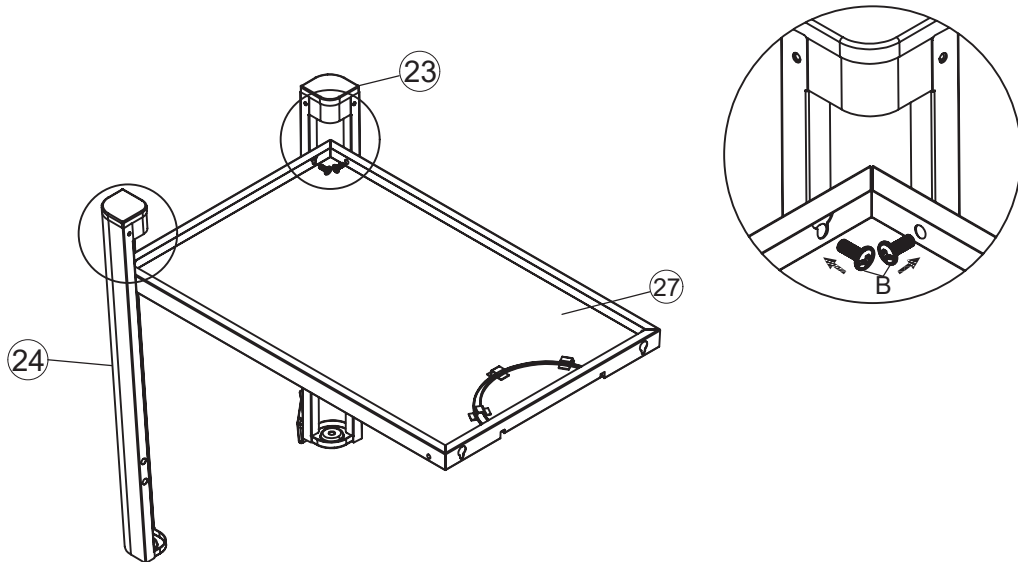


F  ST4.2*10 (X4)

ASSEMBLY INSTRUCTIONS (CONTINUE)

Step 3

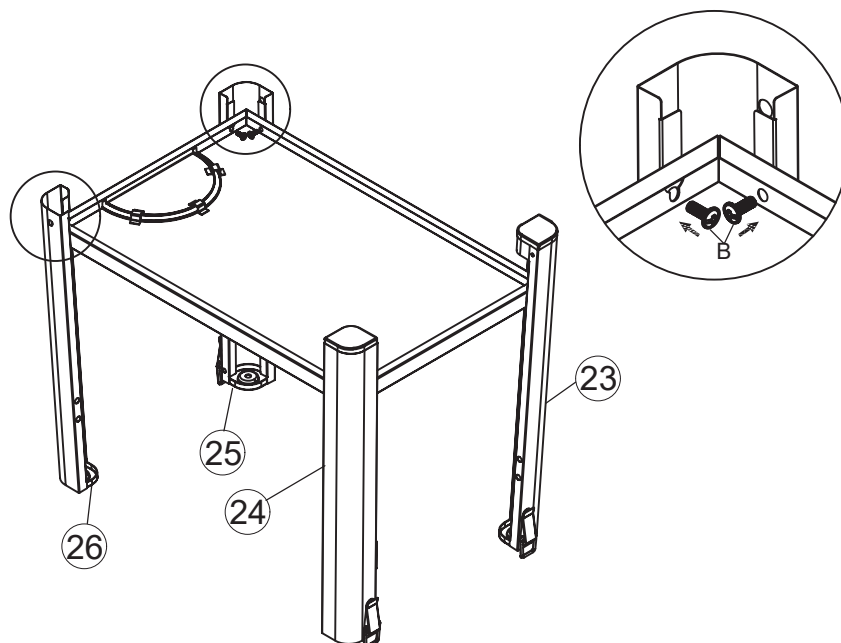
- a) Attach Left legs(23)(24) on the Left of Cart bottom panel(27) with 2 screws(B) each as shown below.
- b) Ensure all the screws are tightened.



B  M6*15 (X4)

Step 4

- a) Attach Right legs(25)(26) on the Right of Cart bottom panel(27) with 2 screws(B) each as shown below.
- b) Ensure all the screws are tightened.

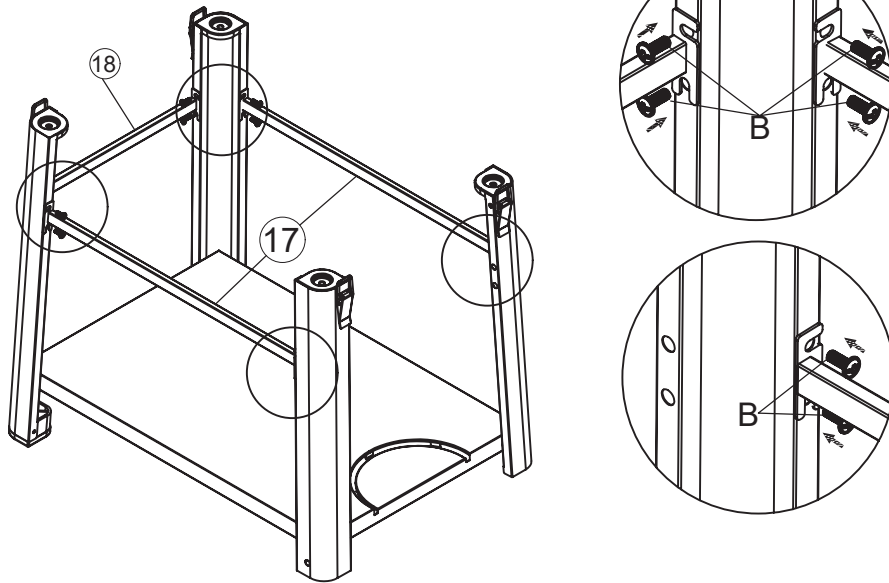


B  M6*15 (X4)

ASSEMBLY INSTRUCTIONS (CONTINUE)

Step 5

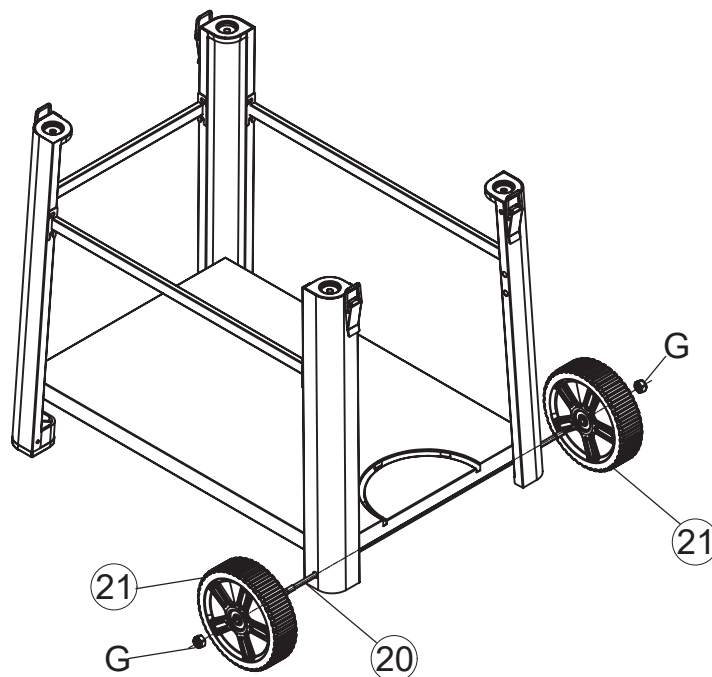
- a) Attach the 2 Cart rail(17) on to the front and back of the prepared cart with 4 Screws(B) each.
- b) Repeat same for Cart left rail(18).
- c) Secure all screws properly with a screwdriver.



B  M6*15 (X12)

Step 6

- a) Insert the Axle(20) through the right side legs as shown.
- b) Attach the Wheel(21) on the Axle(20) and secure with a Nut(G) each.
- c) Ensure all the screws are tightened.

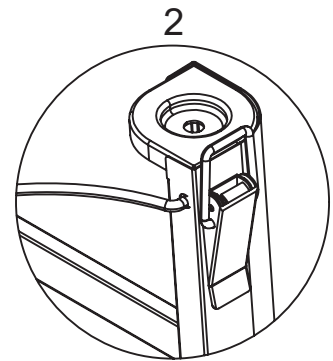
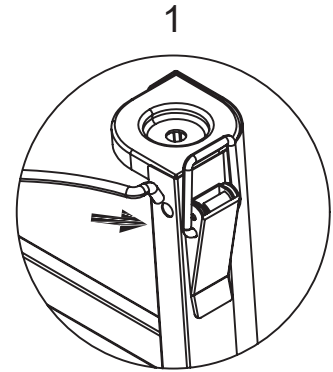
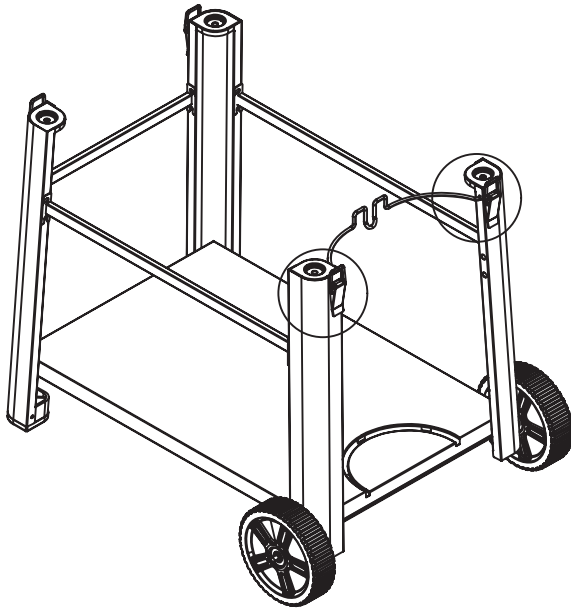


G  M8 (X2)

ASSEMBLY INSTRUCTIONS (CONTINUE)

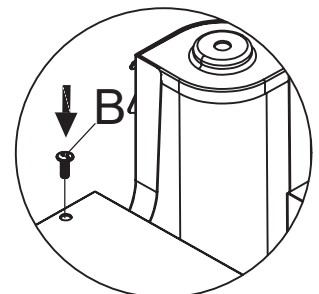
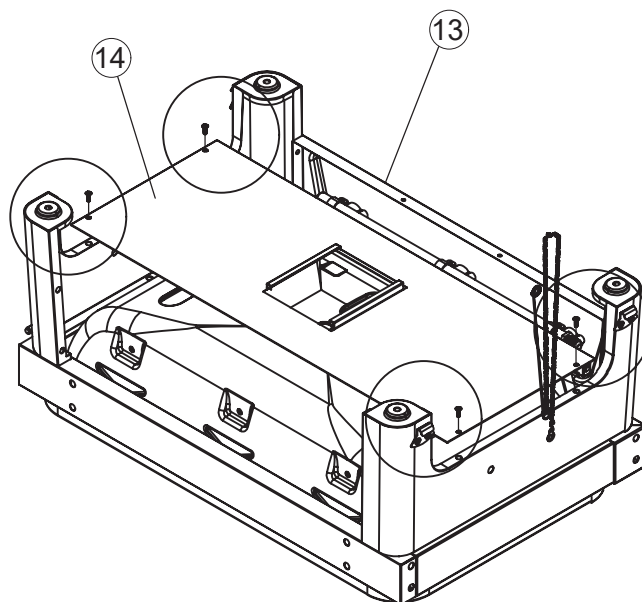
Step 7

a) Attach the Tank clip(22) into the right side legs as shown



Step 8

a) Turn over the Firebox(13) on the a soft cushion.
b) Attach Firebox heat insulator bottom(14) with 4 screws(B) each as shown below.
(The track on the outside)

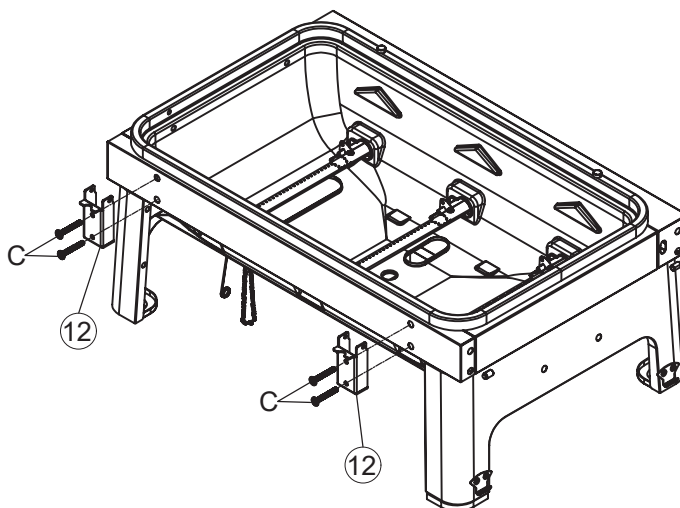


B  M6*15 (X4)

ASSEMBLY INSTRUCTIONS (CONTINUE)

Step 9

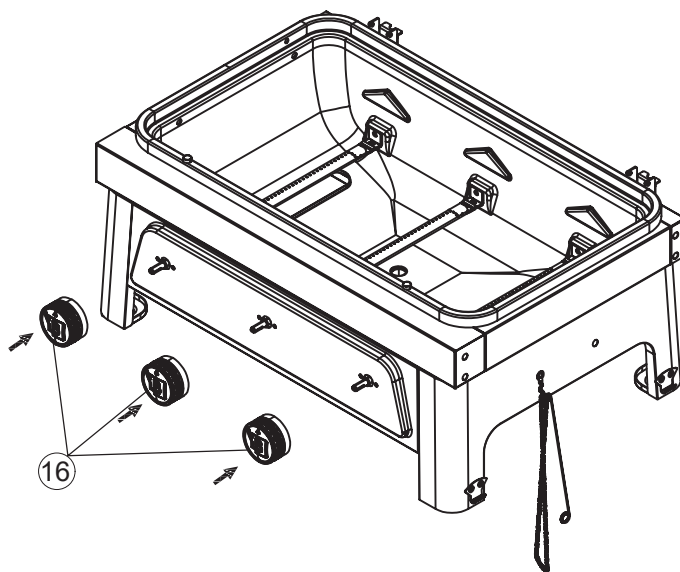
a) Attach Bottom hinge(12) at the back of firebox with 2 screws(C) each as shown below.



C  M6*40 (X4)

Step 10

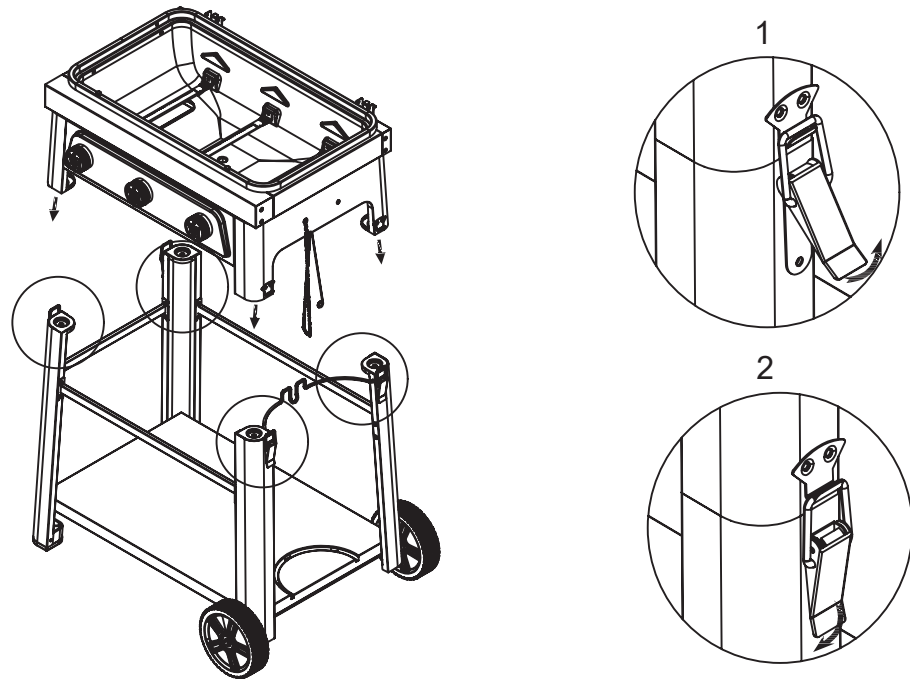
a) Attach Knob(16) as shown below.



ASSEMBLY INSTRUCTIONS (CONTINUE)

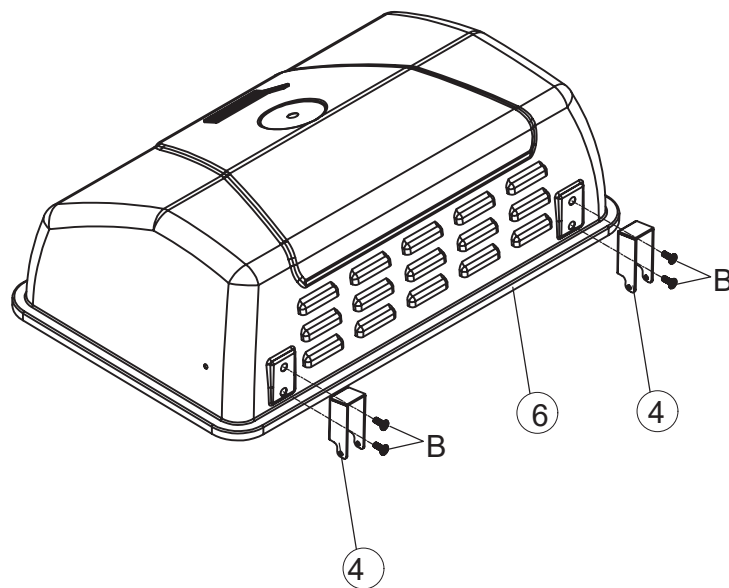
Step 11

- a) Put the Firebox(13) onto the prepared cart.
- b) Secure the Firebox(13) to the cart with side clip on each of the leg as shown below.



Step 12

- a) Attach Top hinge(4) on the back of Lid(6) with 2 screws(B) each as shown below.

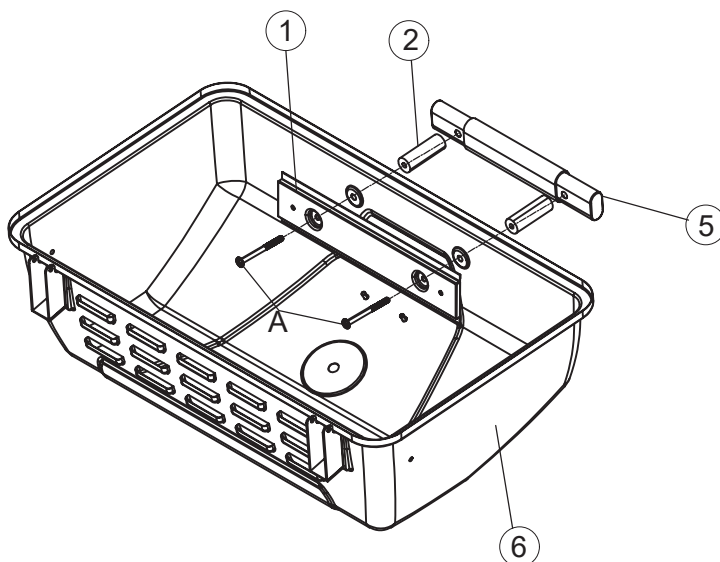


B  M6*15 (X4)


ASSEMBLY INSTRUCTIONS (CONTINUE)

Step 13

- a) Install the Lid handle(5) onto the Lid(6) with 2 Lid handle support(2), 1 lid handle heat insulation board(1), 2 lid handle heat insulation board(1), 2 spring washer(E), 2 flat washers(D) and 2 screws(A) as shown below.
b) Ensure all the screws are tightened.



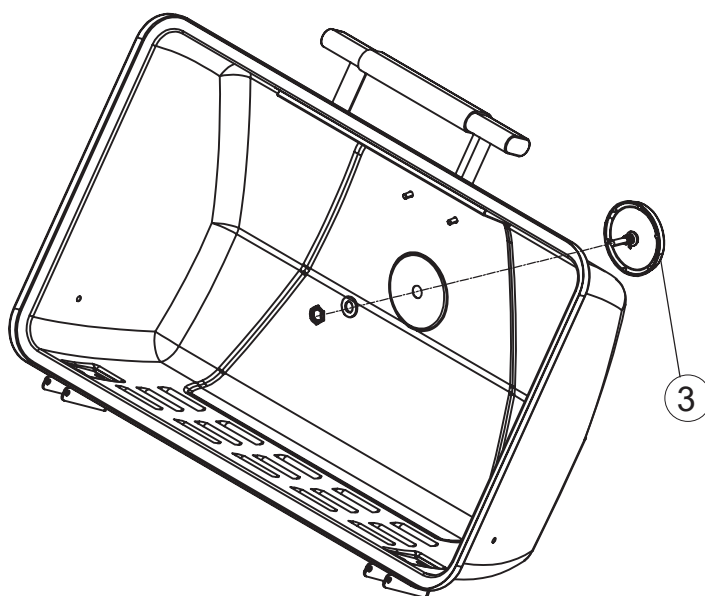
A  M6*75 (X2)

D  Ø6.2 x Ø12x1.0(X2)

E  Ø6.2 (X2)

Step 14

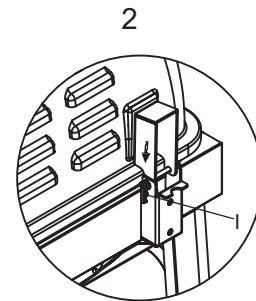
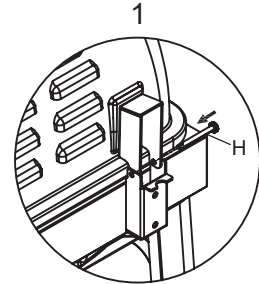
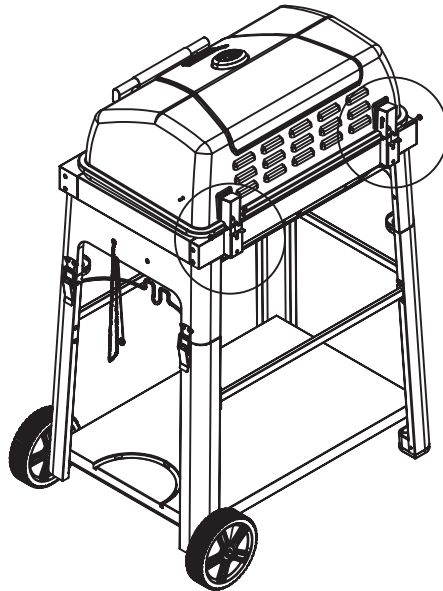
- a) Attach Thermometer(3) on the Lid(6) each as shown below.



ASSEMBLY INSTRUCTIONS (CONTINUE)

Step 15

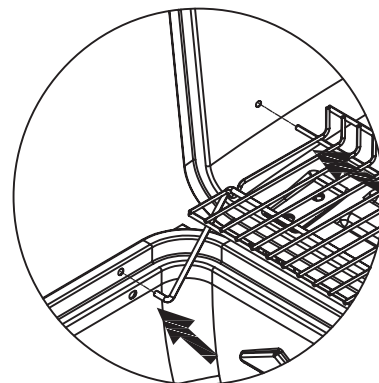
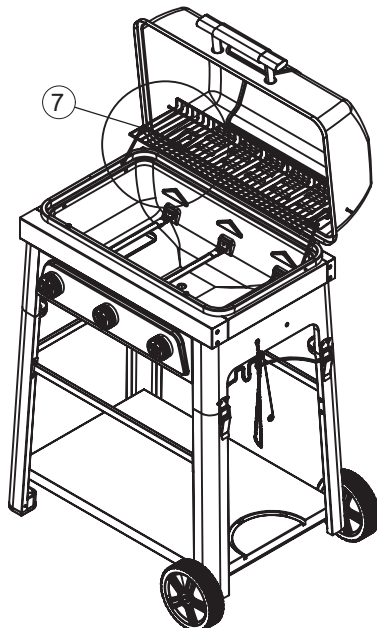
- a) Align the hinges and put the prepared Lid(6) onto the Firebox(13)
- b) Insert the Hinge Axis(H) through the hinges with Wave pin(I) as shown below.
- c) Ensure the Hinge Axis(H) pass through all the holes.



- H  HINGE-AXIS (X2)
- I  WAVE PIN (X2)

Step 16

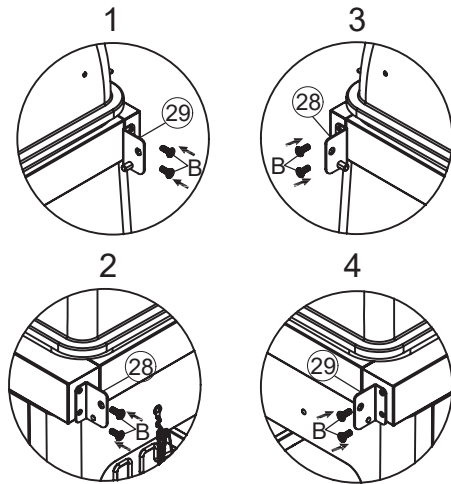
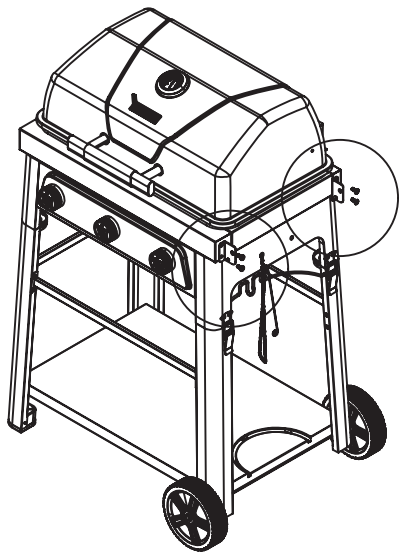
- a) Place the Warming rack (7) into the firebox as shown below, putting the prongs into the hood first (you may have to slightly bend it at this stage)



ASSEMBLY INSTRUCTIONS (CONTINUE)

Step 17

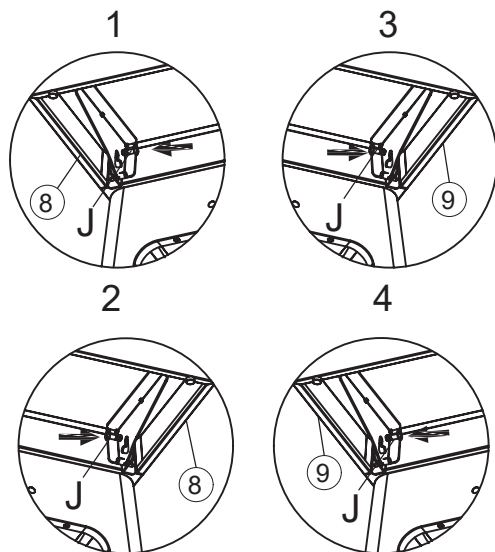
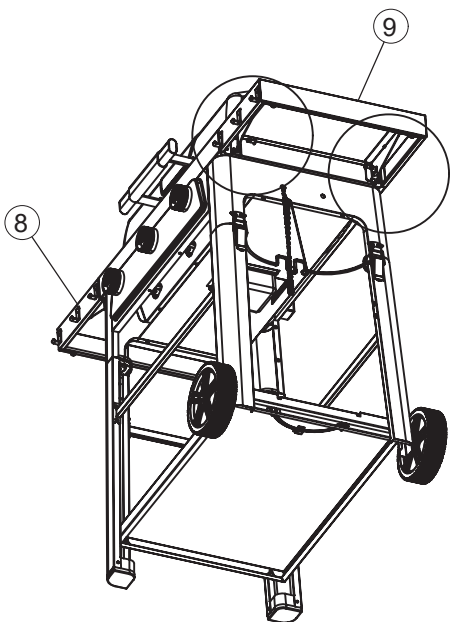
a) Attach the table supports (28)(29) on each side with screw(B) as shown below.



B  M6*15 (X8)

Step 18

a) Attach Left(8) and Right(9) table on each side with screw (J) as shown below.

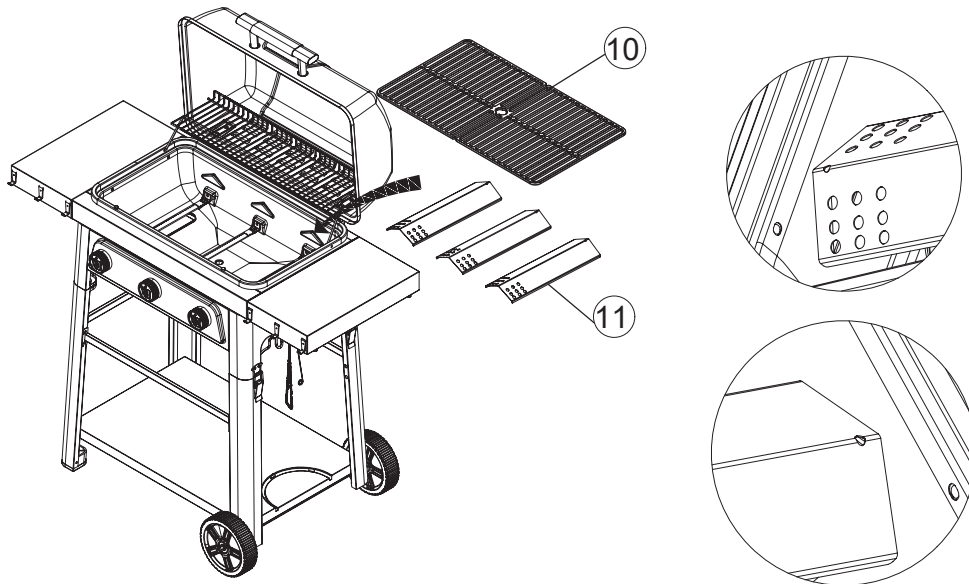


J  M6*17 (X4)

ASSEMBLY INSTRUCTIONS (CONTINUE)

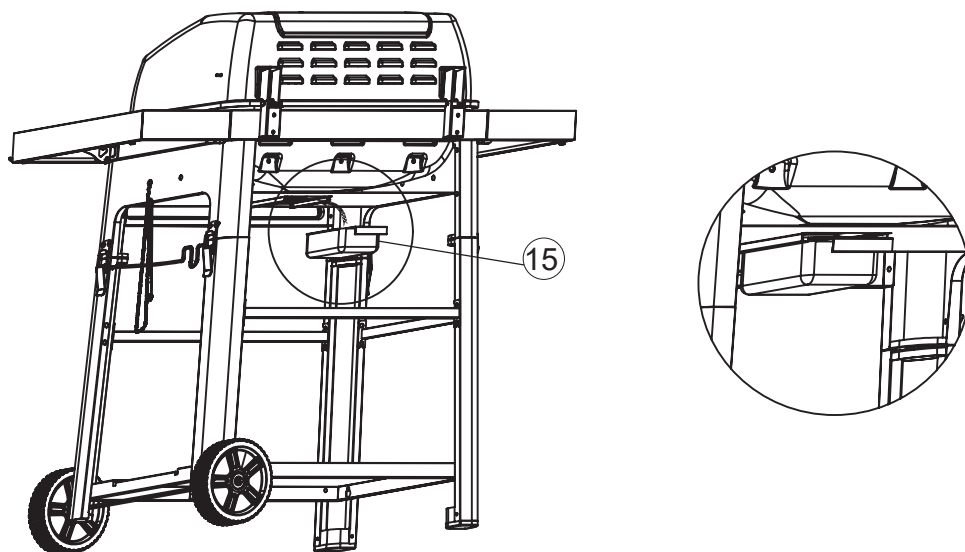
Step 19

- a) Place the 3pcs Heat shield (11) into the firebox.
- b) Place 2 Cooking grill (10) into the firebox and sitting on the support around the firebox.



Step 20

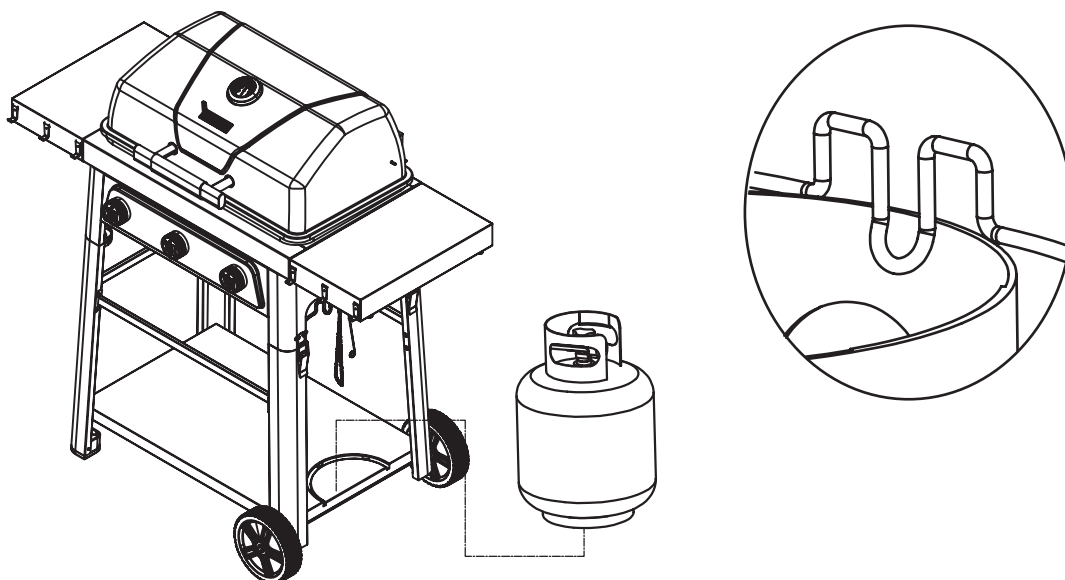
- a) Insert the Grease cup (15) onto Firebox heat insulator bottom (14).
- *Timely cleaning is required



ASSEMBLY INSTRUCTIONS (CONTINUE)

Step 21

a) Place gas tank on the tank slot at the right side and secure with cylinder clip (22).



Step 22

a) Connect the regulator to the gas cylinder by tightening in a clockwise direction as shown below.

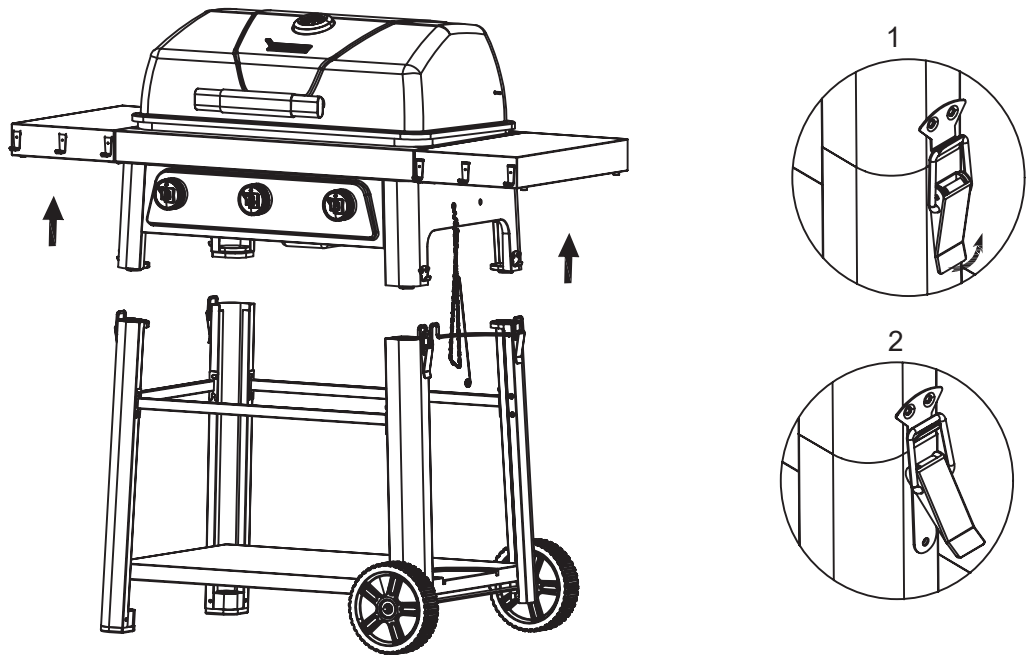


ASSEMBLY INSTRUCTIONS (CONTINUE)

Step 23

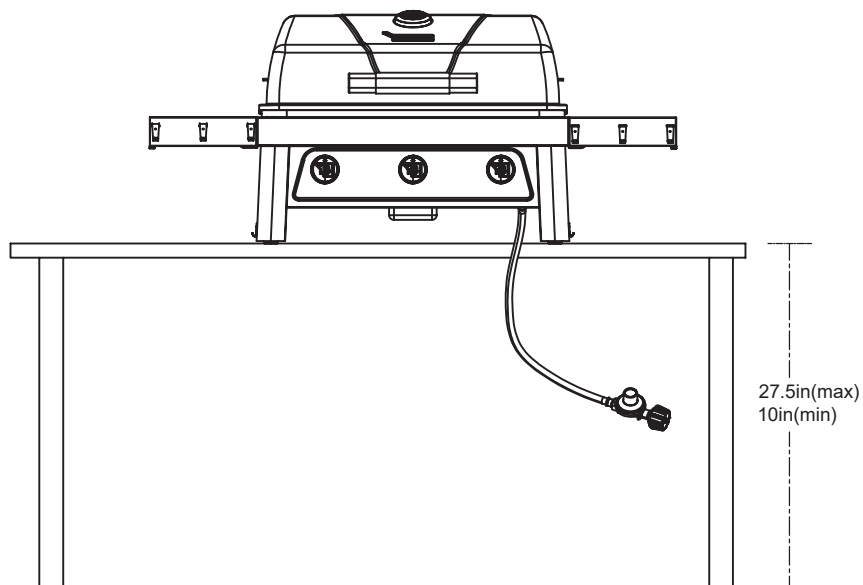
USING THE BARBECUE TABLETOP UNIT

- a) Unlock the clip on each of the leg as shown below.
- b) Detach the Barbecue tabletop unit from the cart.



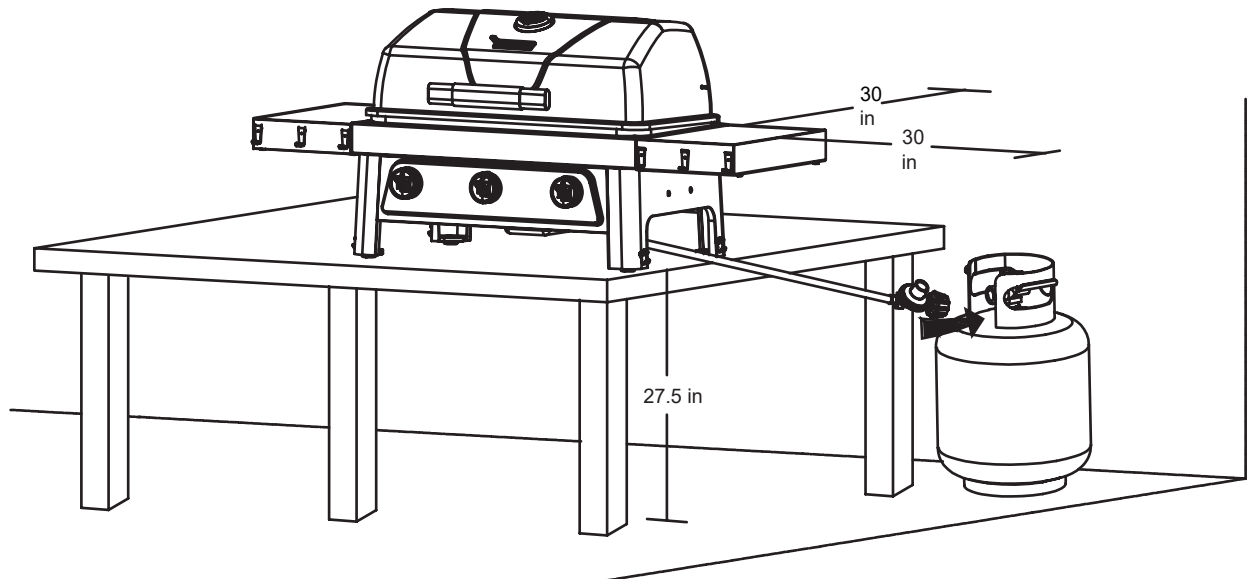
Step 24

- a) Place the Barbecue tabletop unit on table with the distance requirement as shown in below.



Step 25

a) Connect the regulator to the gas cylinder by tightening in a clockwise direction as shown below.

**Step 26****Seasoning Barbecue**

Important: season your Barbecue cooking surface every time you use it.

Chefs at Japanese steakhouses and short-order restaurants do it all the time, and it is critical for you to do it too. Seasoning helps prolong the life of your Barbecue cooking surface, makes the cooking surface non-stick and helps prevent rust.

Tools needed for seasoning:

- Metal scraper or metal spatula
- Cooking oil, such as vegetable oil or extra virgin olive oil
- Paper towels
- BBQ stone or steel wool
- Finishing oil such as flaxseed oil

CAUTION: Do NOT use corn oil as it contains a high level of sugar, which can caramelize and burn onto the surface.

- 1) While the Barbecue is off and cold, scrap off all excess food or rust using a metal scraper or metal spatula if any. If there are excessive of rust, use a BBQ stone and some cooking oil to scrap the rust out.
- 2) Clean up the Barbecue with paper towels.
- 3) Seasoning the Barbecue by applying a small amount of oil onto the top of Barbecue and spread it around evenly using paper towel. We recommend using flax oil if avail able.
- 4) Turning the burner to middle high heat and after awhile, the oil will start to smoke and the top of the Barbecue will start to discolor. Let it continue to burn until the sur face become dark brown, matt gray or bronze, which take about 30mins and is ready to cook.
- 5) Once finish cooking, let the Barbecue cool down.
- 6) Once the Barbecue has cooled, apply a layer of cooking oil evenly again. This will help prevent rusting.

USING, CONNECTING & DISCONNECTING LP GAS TANK

The installation must conform with local codes or, in the absence of local codes, with either the National Fuel Gas Code, ANSI Z223.1/NFPA 54, or the Natural Gas and Propane Installation Code CSA B149.1, or Propane Storage and Handling Code, CSA B149.2, or the Standard for Recreational Vehicles, ANSI A119.2/NFPA 1192, and CSA 2240 RV Series, Recreational Vehicle Code as applicable.

- ⚠ Use standard flexible tube with length less than 1.5 m. the tube shall be readily visible across its entire length for inspection after installation.

To operate, you will need on precision-filled standard barbecue grill LP gas tank with external valve threads.

- ⚠ **CAUTION: LP gas tank must be properly disconnected and removed prior to moving this appliance**

Connecting LP Gas Tank

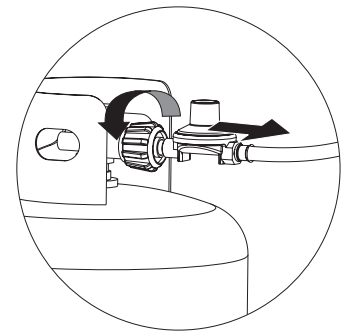
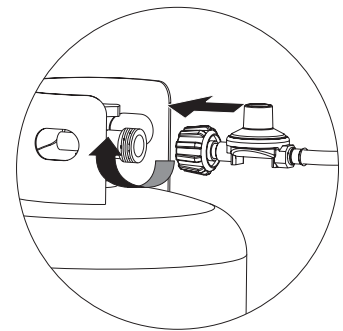
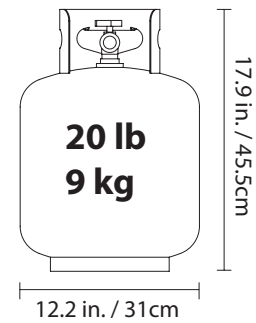
1. Before connecting, be sure there is no debris caught in the head of the LP gas tank, head of the regulator valve or in the head of the burner or burner ports.
2. Connect regulator/hose assembly to tank by turning knob clockwise until it stops. The cylinder supply system must be arranged for vapor withdrawal.

Disconnecting LP Gas Tank

1. Before disconnecting, make sure the LP gas tank valve is "CLOSED."
2. Disconnect regulator/hose assembly from LP gas tank by turning knob counterclockwise until it is loose.

- ⚠ **CAUTION: LP gas tank must be properly disconnected and removed prior to moving this appliance.**

3. Place the protective cap cover on the LP tank and store the tank outdoors in a well ventilated area out of direct sunlight.



OPERATING INSTRUCTIONS

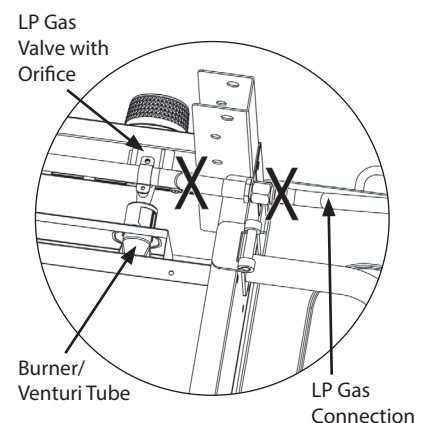
Burner Connections

1. Make sure the regulator hose and valve connections are securely fastened to the burner and the tank.
2. Visually check the connection between the burner/venturi tube and orifice.
3. Make sure the burner/venturi tube fits over the orifice.

- ⚠ **WARNING: Failure to inspect this connection or follow these instructions could cause a fire or an explosion which can cause death, serious bodily injury or damage to property.**

4. Please refer to diagram for proper installation (Figure 1).
5. If the burner/venturi tube does not rest flush to the orifice, as shown, please contact Captivate Brands USA Inc. for assistance.

Figure 1



OPERATING INSTRUCTIONS (CONTINUE)

Tank/Gas Line Connection

1. Make 2-3 oz. of leak detection solution by mixing one part liquid dish washing soap with three parts water.
2. Make sure control knobs are in the "OFF" position (Figure 2).
3. Connect LP gas tank per "Installing LP Gas Tank" section.
4. Turn LP gas tank valve to "OPEN."
5. Spoon several drops of solution, or use a squirt bottle, at all "X" locations (Figures 1 and 3).
 - a. If any bubbles appear, turn LP gas tank valve to "CLOSED," reconnect and re-test.
 - b. If you continue to see bubbles after several attempts, turn LP gas tank valve to "CLOSED" and disconnect LP gas tank, per "Disconnecting LP Gas Tank" section. Contact Captivate Brands USA Inc. for assistance.
 - c. If no bubbles appear after one minute, turn LP gas tank valve to "CLOSED," wipe away solution and proceed.

Figure 2

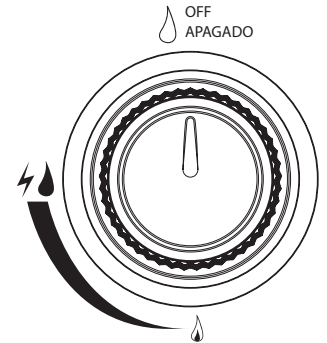
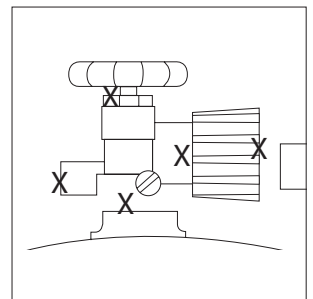


Figure 3



Operating Main Burners

First Use

1. Make sure all labels, packaging and protective films have been removed from the Barbecue.
2. Light Barbecue per "Lighting" section.
3. Remove manufacturing oils before cooking on this Barbecue for the first time.
4. Season your Barbecue cooking surface per "Seasoning Barbecue" section.

Lighting

- ⚠ **CAUTION:** Keep outdoor gas cooking appliance area clear and free from combustible materials, gasoline and other flammable vapors and liquids.
- ⚠ **CAUTION:** Do NOT obstruct the flow of combustion and ventilation air.
- ⚠ **CAUTION:** Check and clean burner/venturi tubes for insects and insect nests. A clogged tube can lead to a fire.
- ⚠ **CAUTION:** Do NOT use non-stick cooking sprays because they contain a lot of water and can burn onto the Barbecue, damaging the surface.
- ⚠ **CAUTION:** Do NOT use corn oil as it contains a high level of sugar, which can caramelize and burn onto the surface.

1. Check for obstructions of airflow to the burners. Spiders, insects and webs can clog the burner/venturi tube. A clogged burner tube can lead to a fire.
2. All control knobs must be in the "OFF" position (Figure 2).
3. Connect LP gas tank per "Installing LP Gas Tank" section.

Figure 4

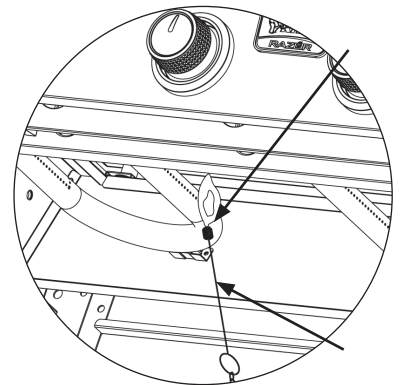
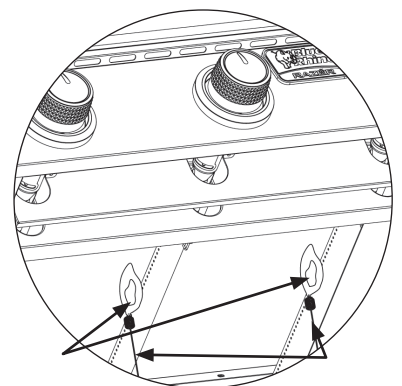


Figure 5



OPERATING INSTRUCTIONS (CONTINUE)

4. Turn LP gas tank valve to "OPEN."
5. Push and turn any control knob to 🔥 (HIGH). The burner should light. If it does not, repeat up to three times.
6. If ignition does not occur in 5 seconds, turn burner control knob 🔻 (OFF), wait 5 minutes, and repeat lighting procedure.
7. If igniter does not light burner, use a lit match secured with the Lighting Hook (included with the Barbecue) to light burners. Access the burners from under the Barbecue. Position lit match near side of burner (Figures 4 and 5).

Important: Always use the Lighting Hook (included) when lighting burners with a match.

8. After lighting, observe the burner flame. Make sure all burner ports are lit and flame height matches illustration (Figure 6).

Note: Each burner lights independently - repeat steps 5-9 for the other burners.

⚠ CAUTION: If burner flame goes out during operation, immediately turn the control knobs to the 🔻 "OFF" position, turn the LP gas tank valve to "CLOSED" and open lid to let the gas clear for 5 minutes before relighting.

Controlling Flare-ups

CAUTION:

1. **If a grease fire develops, turn control knobs to the 🔻 "OFF" position and LP gas tank valve to "CLOSED." Do NOT use water on a grease fire. This can cause the grease to splatter and could result in serious burns, bodily harm or other damage.**
2. **Do NOT leave Barbecue unattended while preheating or burning off food residue on 🔥 or 🔥🔥 (HIGH). If Barbecue has not been cleaned, a grease fire can occur.**

WARNING: When cooking, fire extinguishing materials should be readily accessible. In the event of an oil/grease fire, use type BC dry chemical fire extinguisher or smother with dirt, sand or baking soda. Do NOT attempt to extinguish with water.

Flare-ups are a part of cooking meats on a Barbecue and add to the unique flavor of grilling.

Excessive flare-ups can over-cook your food and be dangerous.

Important: Excessive flare-ups result from the build-up of grease in the grease cup.

If a grease fire occurs, turn the control knob(s) to 🔻 "OFF" until the grease burns out.

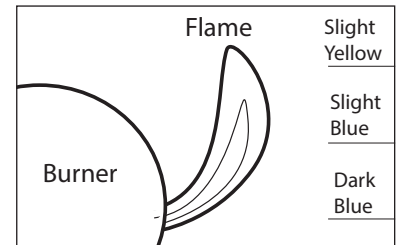
If excessive flare-ups occur, **DO NOT** pour water onto the flames.

Minimize Flare-ups:

1. Trim excess fat from meats prior to cooking.
2. Cook high fat content meats on 🔻 (LOW) setting or indirectly.
3. Ensure that your Barbecue is on a hard, level, non-combustible surface and the grease is allowed to drain into grease receptacle.

NOTE: Using pan larger than 240mm diameter in capacity could exceed weight limit of the side burner shelf

Figure 6



CLEANING AND CARE

⚠ CAUTION:

1. All cleaning and maintenance should be done when Barbecue is cool and with the fuel supply disconnected.
2. Do NOT clean any Barbecue part in self-cleaning oven. The extreme heat will damage the finish.
3. Do Not enlarge valve orifices or burner ports when cleaning the valves or burners.

Notices

1. This Barbecue should be thoroughly cleaned and inspected on a regular basis.
2. Abrasive cleaners will damage this product.
3. Never use oven cleaner to clean any part of Barbecue.

Before Each Use:

1. Keep the Barbecue area clean and free from any combustible materials, gasoline, and other flammable vapors and liquids.
2. Do NOT obstruct the flow of the combustion of LP gas and the ventilation of air.
3. Keep the ventilation opening(s) of the LP gas tank area free and clear from debris.
4. Visually check the burner flames to make sure your Barbecue is working properly (Figure 7).
5. See sections below for proper cleaning and seasoning instructions.
6. Check for obstructions of airflow to the burners. Spiders, insects and webs can clog the burner/venturi tube. A clogged burner tube can lead to a fire.

Cleaning Cart Surfaces

1. Wipe surfaces clean with mild dish washing detergent or baking soda mixed with water.
2. For stubborn surfaces, use a citrus-based degreaser and a nylon scrubbing brush.
3. Rinse clean with water.
4. Allow to air dry.

Cleaning Main Burners

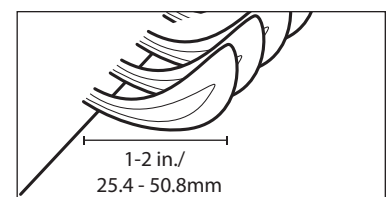
1. Turn LP gas tank valve to "CLOSED."
 2. Turn all control knobs clockwise to the " OFF" position.
- Note: A "poof" sound is normal as the last of the gas is burned.
3. Disconnect LP gas tank per "Disconnecting LP Gas Tank" section
 4. Remove Barbecue by lifting it off the cart.

5. Remove burners by removing the fasteners, which secure the burners to the frame bottom.
6. Lift burners up and away from gas valve orifice.
7. Disconnect wire from spark electrode.

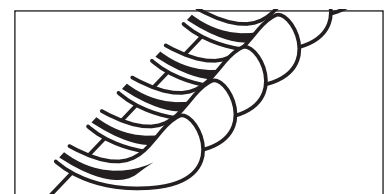
Figure 7

Burner Flame Conditions

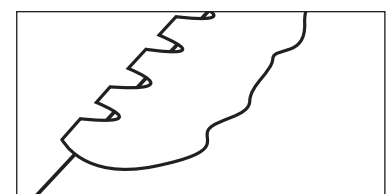
Use this chart to see if your burners need to be cleaned



Normal: Soft blue flames with yellow tips between 1 in- 2 in. height



Needs cleaning: Noisy with hard blue flames



Has to be replaced: Wavy with yellow flames

CLEANING AND CARE

8. Clean venturi of each burner with small bottle brush or compressed air.
9. Remove all residue and dirt from burner surface.
10. Clean any clogged ports with a stiff wire (such as an opened paper clip).
11. Inspect burners for any damage (cracks or holes). If damage is found, replace with new burner(s) from manufacturer.
12. Re-install burner(s). Checking to insure that gas valve orifice is correctly positioned inside each burner/venturi tube. Also, check position of spark electrode.
13. Connect wire to spark electrode.
14. Replace Barbecue.
15. Connect LP gas tank per "Installing LP Gas Tank" section.
16. Perform leak test per "Checking for Leaks" section.

Before Storing

1. Turn LP gas tank valve to "CLOSED."
2. Turn all control knobs clockwise to the " OFF" position.
Note: A "poof" sound is normal as the last of the gas is burned.
3. Disconnect LP gas tank per "Disconnecting LP Gas Tank" section.
4. Clean all surfaces.
5. Lightly coat the burner(s) with cooking oil to prevent excess rusting.
6. Season your Barbecue cooking surface per "Seasoning Barbecue" section.
7. If storing the Barbecue indoors, disconnect the LP tank per "Disconnecting LP Gas Tank" section.
8. Place the protective cap cover on the LP tank and store the tank outdoors in a wellventilated area out of direct sunlight.
9. If storing the Barbecue indoors, cover the Barbecue and store in a cool dry place.
10. If storing the Barbecue outdoors, cover the Barbecue with a Barbecue cover for protection from the weather.

Seasoning Barbecue

Important: season your Barbecue cooking surface every time you use it.

Chefs at Japanese steakhouses and short-order restaurants do it all the time, and it is critical for you to do it too. Seasoning helps prolong the life of your Barbecue, makes the cooking surface non-stick and helps prevent rust.

Tools needed for seasoning:

- Metal scraper or metal spatula
- Cooking oil, such as vegetable oil or extra virgin olive oil
- Paper towels
- BBQ stone or steel wool
- Finishing oil such as flaxseed oil

⚠ CAUTION: Do NOT use corn oil as it contains a high level of sugar, which can caramelize and burn onto the surface.

CLEANING AND CARE

First Use

1. Light Barbecue per "Lighting" section.
2. Keep burners on 🔥 and 🔥🔥 (HIGH) for 15 minutes.
3. Turn Barbecue off per "Turning Off" section.
4. Allow Barbecue to cool, but still be slightly warm.
5. Wipe off Barbecue surface, inner and outer walls with paper towels until clean.

Note: While drying you may notice the towel may have some discoloration. This is normal.

6. Apply finishing oil onto Barbecue surface, inner and outer walls and evenly coat with rolled up paper towels.
7. Repeat this process at least twice.

After Each Use

1. Turn Barbecue off per "Turning Off" section.
2. While the Barbecue is still warm, gently scrape off all food residue with a scraper.
3. Wipe down Barbecue surface, inner and outer walls with a towel or paper towels.
4. For stubborn food residue:
 - a. Light Barbecue per "Lighting" section.
 - b. Apply cooking oil onto Barbecue surface.
 - c. Allow oil to "boil" food residue off.
 - d. Repeat steps 1 through 3.
 - e. If necessary, use a BBQ stone and scrub the food residue off.
 - f. Continue with "Seasoning Barbecue" instructions.
5. Wipe off Barbecue surface, inner and outer walls with paper towels until clean.

Note: While drying you may notice the towel has some discoloration. This is normal.
6. Apply finishing oil onto Barbecue surface, inner and outer walls and evenly coat with rolled up paper towels.
7. Light Barbecue per "Lighting" section.
8. Keep burners on and (HIGH) for 15 minutes or until finishing oil starts to smoke.
9. Turn Barbecue off per "Turning Off" section.
10. Repeat steps 6-9 a minimum of 2 additional times.
11. Following "Before Storing" section.

Refurbish the Barbecue Surface

1. If Barbecue is off, light per "Lighting" section for 10 minutes. Then turn Barbecue off per "Turning Off" section.
2. If Barbecue is on, turn Barbecue off per "Turning Off" section.
3. While the Barbecue is still warm, use a scraper or metal spatula to remove as much rust and food residue as you can from the Barbecue surface, inner and outer walls.
4. Apply a liberal amount of cooking oil onto the Barbecue surface.
5. Using a BBQ stone, scrub the Barbecue surface. Apply additional cooking oil as need.
6. Wipe off Barbecue surface, inner and outer walls with paper towels.
7. Repeat steps 3-5 until paper towels no longer show any rust.
8. Apply finishing oil onto Barbecue surface, inner and outer walls and evenly coat with rolled up paper towels.
9. Light Barbecue per "Lighting" section.
10. Keep burners on 🔥 and 🔥🔥 (HIGH) for 15 minutes or until finishing oil starts to smoke.
11. Turn Barbecue off per "Turning Off" section.
12. Repeat steps 7-10 until the surface has a nice dark color.
13. Following "Before Storing" section.

PRODUCT REGISTRATION

For faster warranty service, please register your product immediately.

REPLACEMENT PARTS

For replacement parts, please contact Captivate Brands USA, Inc. via 1-855-200-8445

WARRANTY

Captivate Brands USA, Inc. warrants to the original retail purchaser of this product, and to no other person, that if this product is assembled, maintained, and operated in accordance with the printed instructions accompanying it, then for a period of one (1) year from the date of purchase, the product's components shall be free from defects in material and workmanship, except for the cooking surface which is not covered by the Limited Warranty. Captivate Brands USA, Inc. may require reasonable proof of your date of purchase. Therefore, you should retain your sales slip or invoice. This Limited Warranty shall be limited to the repair or replacement of parts, which prove defective under normal use and service and which Captivate Brands USA, Inc. shall determine in its reasonable discretion upon examination to be defective. Before returning any parts, you should contact Captivate Brands USA, Inc. Customer Care Department using the contact information listed below. If Captivate Brands USA, Inc. confirms, after examination, a defect covered by this Limited Warranty in any returned part, and if Captivate Brands USA, Inc. approves the claim, Captivate Brands USA, Inc. will replace such defective part without charge. If you return defective parts, transportation charges must be prepaid by you. Captivate Brands USA, Inc. will return replacement parts to the original retail purchaser, freight or postage prepaid.

This Limited Warranty does not cover any failures or operating difficulties due to accident, abuse, misuse, alteration, misapplication, improper installation or improper maintenance or service by you or any third party, or failure to perform normal and routine maintenance on the product as set out in this owner's manual. In addition, the Limited Warranty does not cover damage to the finish, such as scratches, dents, discoloration, rust or other weather damage, after purchase.

This Limited Warranty is in lieu of all other express warranties. Captivate Brands USA, Inc. disclaims all warranties for products that are purchased from sellers other than authorized retailers or distributors, including the warranty of merchantability or the warranty of fitness for a particular purpose. CAPTIVATE BRANDS USA, INC. ALSO DISCLAIMS ANY AND ALL IMPLIED WARRANTIES, INCLUDING WITHOUT LIMITATION THE IMPLIED WARRANTIES OF MERCHANTABILITY AND FITNESS FOR A PARTICULAR PURPOSE. CAPTIVATE BRANDS USA, INC. SHALL HAVE NO LIABILITY TO PURCHASER OR ANY THIRD PARTY FOR ANY SPECIAL, INDIRECT, PUNITIVE, INCIDENTAL, OR CONSEQUENTIAL DAMAGES.

Captivate Brands USA, Inc. further disclaims any implied or express warranty of, and assumes no responsibility for, defects in workmanship caused by third parties.

This Limited Warranty gives the purchaser specific legal rights; a purchaser may have other rights depending upon where he or she lives. Some jurisdictions do not allow the exclusion or limitation of special, incidental or consequential damages, or limitations on how long a warranty lasts, so the above exclusion and limitations may not apply to everyone.

Captivate Brands USA, Inc. does not authorize any person or company to assume for it any other obligation or liability in connection with the sale, installation, use, removal, return, or replacement of its equipment, and no such representations are binding on Captivate Brands USA, Inc..

Captivate Brands USA, Inc.
25541 Arctic Ocean Drive Lake Forest, CA. 92630
1-855-200-8445

TROUBLESHOOTING

Problem	Possible Cause	Prevention/Cure
Burner will not light using igniter	LP gas tank valve is closed	Make sure regulator is securely attached to the LP gas tank per "Installing LP Gas Tank," then turn LP gas tank valve to "OPEN"
	LP gas tank low or empty	Exchange, refill or replace LP gas tank
	LP gas	1. Turn LP gas tank valve to "CLOSED" 2. Wait 5 minutes for gas to clear 3. Follow "Checking for Leaks" section
	Wires or electrode covered with cooking residue	Clean wire and/or electrode with rubbing alcohol
	Electrode and burners are wet	Wipe dry with cloth
	Electrode cracked/broken - sparks at crack	Replacement part(s) may be needed - contact Customer Care
	Wire loose or disconnected	Reconnect wire or replacement part(s) may be needed - contact Customer Care
	Wire is shorting (sparking) between igniter and electrode Bad igniter	Replacement part(s) may be needed - contact Customer Care
Burner will not light with match	No gas flow	Check if LP gas tank is empty A. If empty, exchange, refill or replace LP gas tank B. If LP gas tank is not empty, refer to "Sudden drop in gas flow or reduced flame height" (see below)
	LP gas tank is low or empty	Exchange, refill or replace LP gas tank
	LP gas	1. Turn LP gas tank valve to "CLOSED" 2. Wait 5 minutes for gas to clear 3. Follow "Checking for Leaks" section
	Coupling nut and regulator not fully connected	Turn the coupling nut about one-half to three-quarters additional turn until solid stop. Tighten by hand only - do NOT use tools
	Obstruction of gas flow	1. Clear burner/venturi tube 2. Check for bent or kinked hose
	Disengagement of burner to valve	Re-engage burner and valve
	Spider webs or insect in venturi Burner ports clogged or blocked	Clean burner/venturi tube Clean burner ports
Sudden drop in gas flow or reduced flame height	Out of gas	Exchange, refill or replace LP gas tank
	Overfilling prevention device may have been activated	1. Turn control knob to "OFF" 2. Wait 30 seconds and light Barbecue 3. If flames are still too low, reset the overfilling prevention device: a. Turn control knob(s) "OFF" b. Turn LP gas tank valve to "CLOSED" c. Disconnect regulator d. Turn control knobs to 🔥 and 🔥🔥 (HIGH) e. Wait 1 minute f. Turn control knobs to "OFF" g. Reconnect regulator and leak check connections, being careful not to fully open valve h. Light Barbecue per "Lighting" section
Sudden drop in gas flow or reduced flame height	Burner ports are clogged or blocked	Clean burner ports
Flame is yellow or orange	New burner may have residual manufacturing oils	Burn Barbecue for 15 minutes on 🔥 and 🔥🔥 (HIGH) with the lid closed
	Spider webs or insect nest in venturi	Clean venturi
	Food residue, grease, etc. on burners	Clean burner
	Poor alignment of valve to burner/venturi tube	Ensure burner/venturi tube is properly engaged with valve
Flame goes out	High or gusting winds	Do not use Barbecue in high wind
	Low on LP Gas	Exchange, refill or replace LP gas tank
	Overfilling prevention device may have been activated	Refer to "Sudden drop in gas flow or reduced flame height" (see above)
Flare-up	Grease buildup	Remove and clean Barbecue parts per "Cleaning and Care" Section
	Excess fat in meat	Trim fat from meat before cooking
	Excessive cooking temperature	Adjust to lower cooking temperature
Persistent grease fire	Excessive cooking temperature	1. Turn control knobs to "OFF" 2. Turn LP gas tank valve to "CLOSED" 3. Leave lid in closed position and let fire burn out 4. After Barbecue cools, remove and clean all parts per "Cleaning and Care" section
Flashback (fire in burner tube(s))	Burner and/or burner/venturi tube are blocked	Adjust to lower cooking temperature
Barbecue Surface	Barbecue has started to rust	With use the Barbecue surface will rust, this is normal. Follow the "Refurbish the Barbecue Surface" instructions in the "Seasoning Barbecue" section to season your Barbecue surface.
	Barbecue surface looks dull	The cooking surface has gotten too hot, and is no longer seasoned. Season grill per "Seasoning Barbecue" section

For assistance, please contact Captivate Brands USA, Inc via 1-855-200-8445