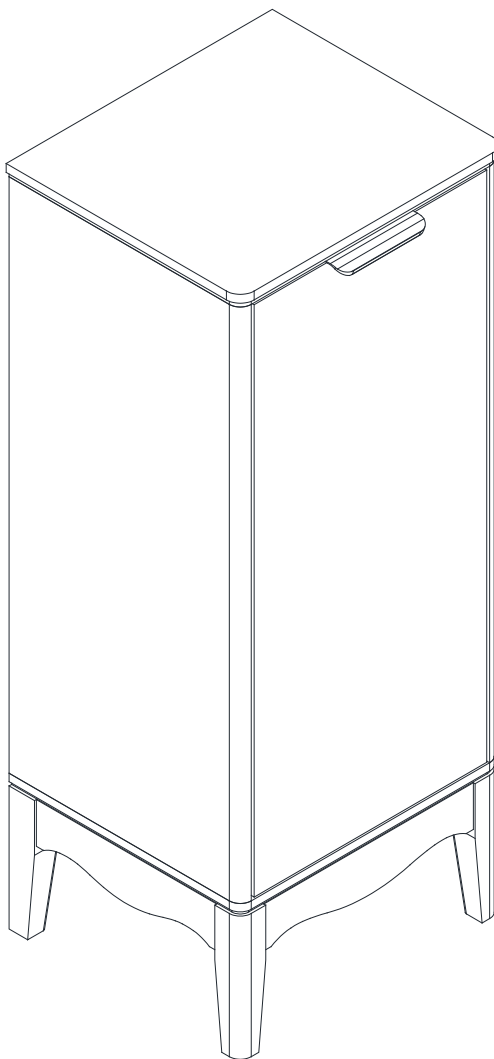


Assembly | Asamblea | Assemblage

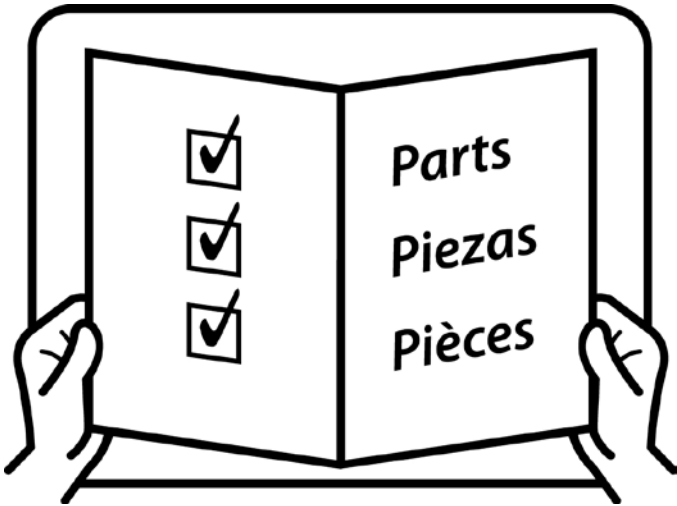
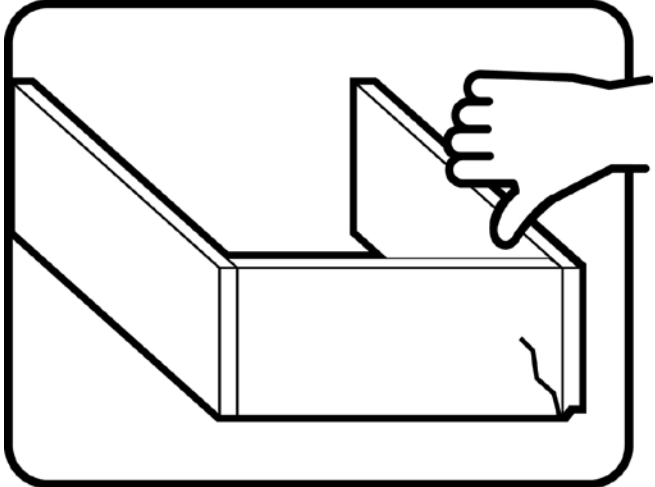
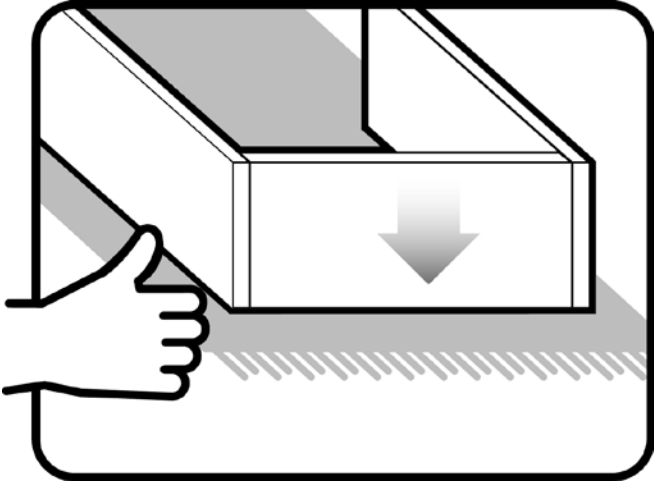
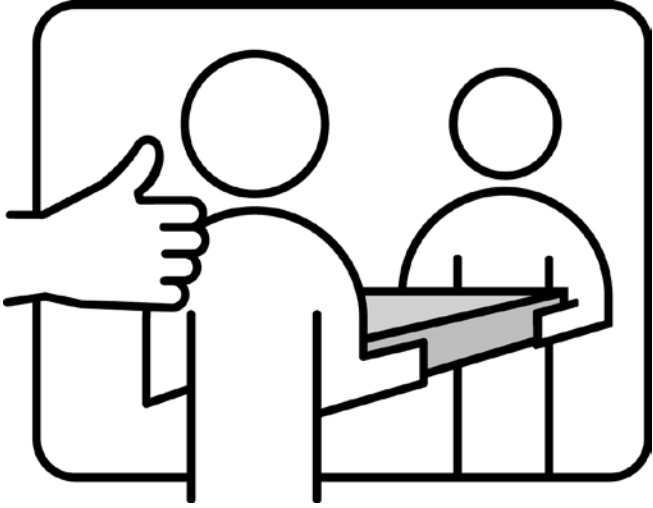
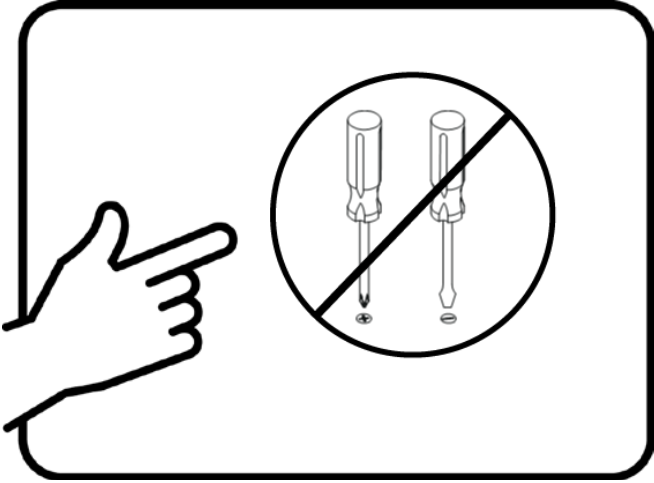
PO



Product number | Número de producto | Numéro de produit

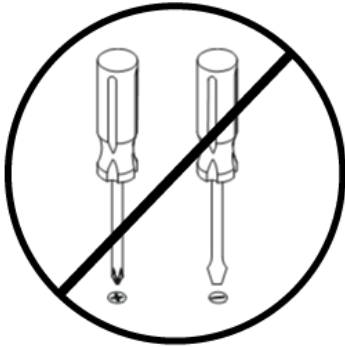
Thank you for your purchase! | ¡Gracias por tu compra! | Merci pour votre achat!

Assembly | Asamblea | Assemblage



Assembly | Asamblea | Assemblage

Techniques | Técnicas | Techniques



Care | Cuidado | Entretien



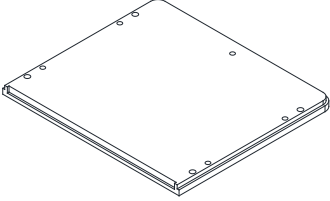
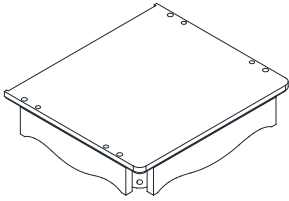
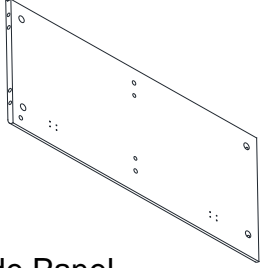
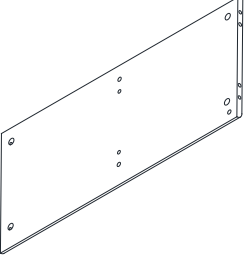
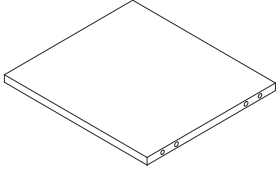
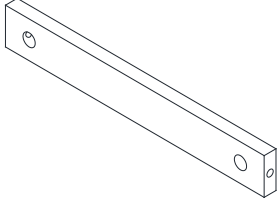
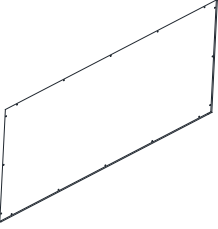


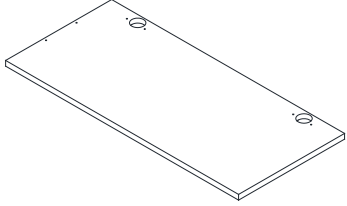
Safety | Seguridad | Sécurité



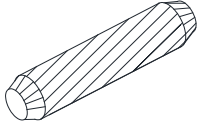
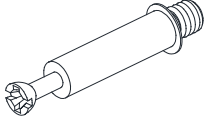
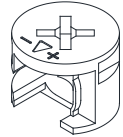
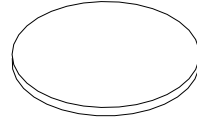
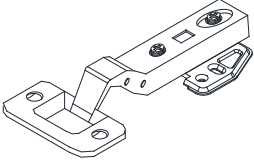
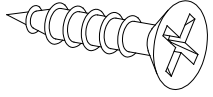
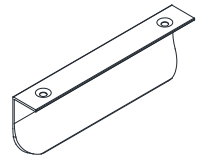
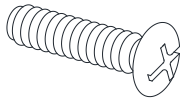
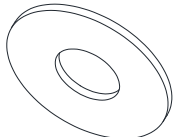
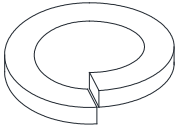
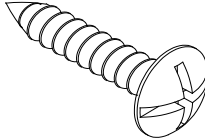
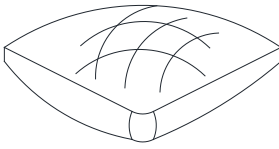
Note! | ¡Nota! | Remarque!



Assembly | Asambla | Assemblage

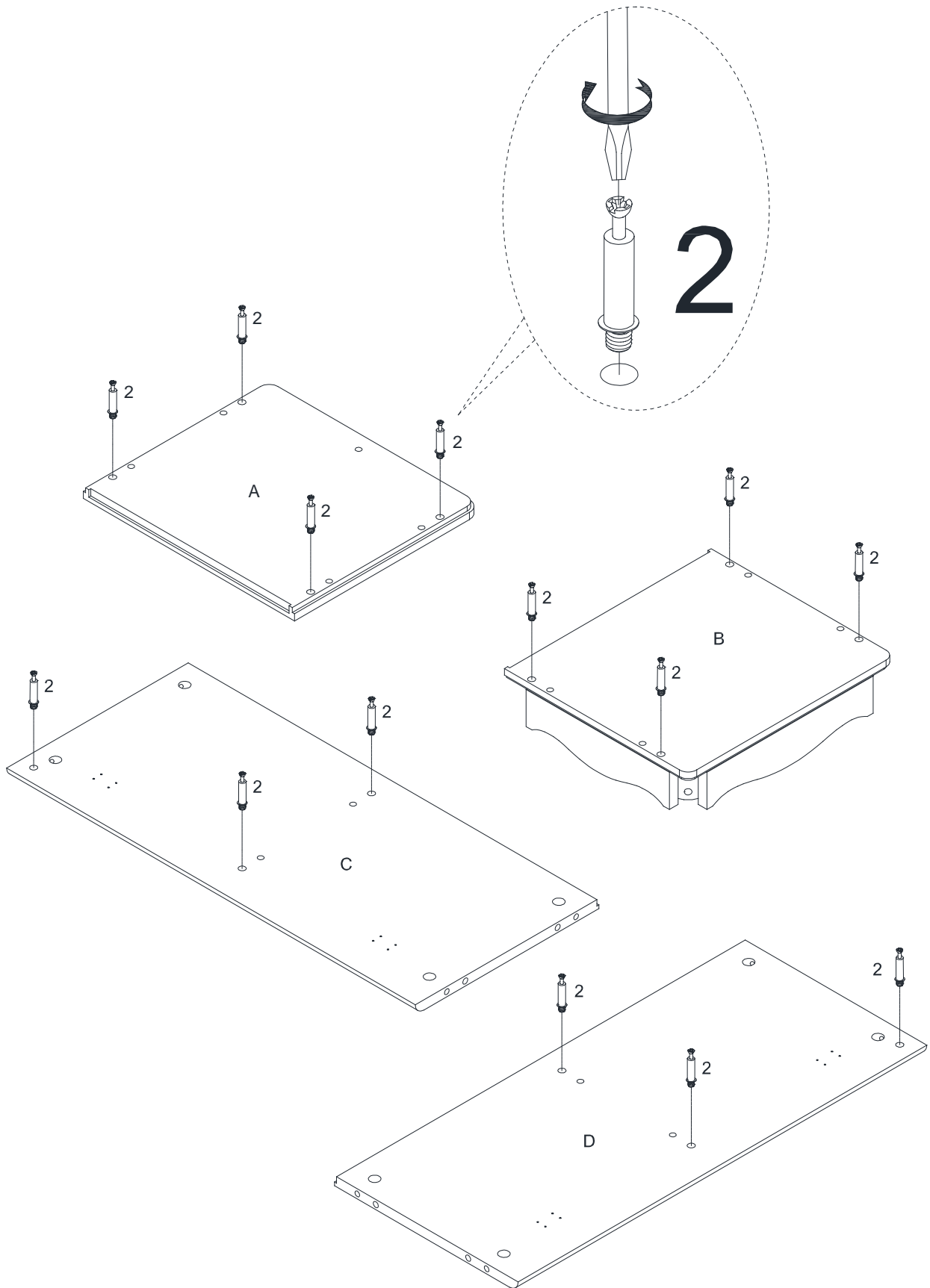
<p>A x1</p>  <p>Top Panel</p>	<p>B x1</p>  <p>Bottom Panel</p>	<p>C x1</p>  <p>Left Side Panel</p>
<p>D x1</p>  <p>Right Side Panel</p>	<p>E x1</p>  <p>Fixed Shelf</p>	<p>F x1</p>  <p>Cross Rail</p>
<p>G x1</p>  <p>Back panel</p>	<p>H x2</p>  <p>Front Leg</p>	<p>I x2</p>  <p>Black Leg</p>
<p>K X1</p>  <p>Door</p>		

Assembly | Asambla | Assemblage

<p>1 x13</p>  <p>Wood Dowel</p>	<p>2 x14</p>  <p>Cam Bolt</p>	<p>3 x14</p>  <p>Cam Lock</p>
<p>4 x14</p>  <p>Plastic Cover</p>	<p>5 x2</p>  <p>Hinge</p>	<p>6 x14</p>  <p>Screw $\phi 3 * 12 \text{mm}$</p>
<p>7 x1</p>  <p>Handle</p>	<p>8 x8</p>  <p>Bolt $1/4" * 1-5/8"$</p>	<p>9 x8</p>  <p>Flat Washer $\phi 1/4" * 16$</p>
<p>10 x8</p>  <p>Spring Washer $\phi 1/4"$</p>	<p>11 x15</p>  <p>Screw $\phi 3 * 12 \text{mm}$</p>	<p>12 X1</p>  <p>Safety Strap Kit</p>

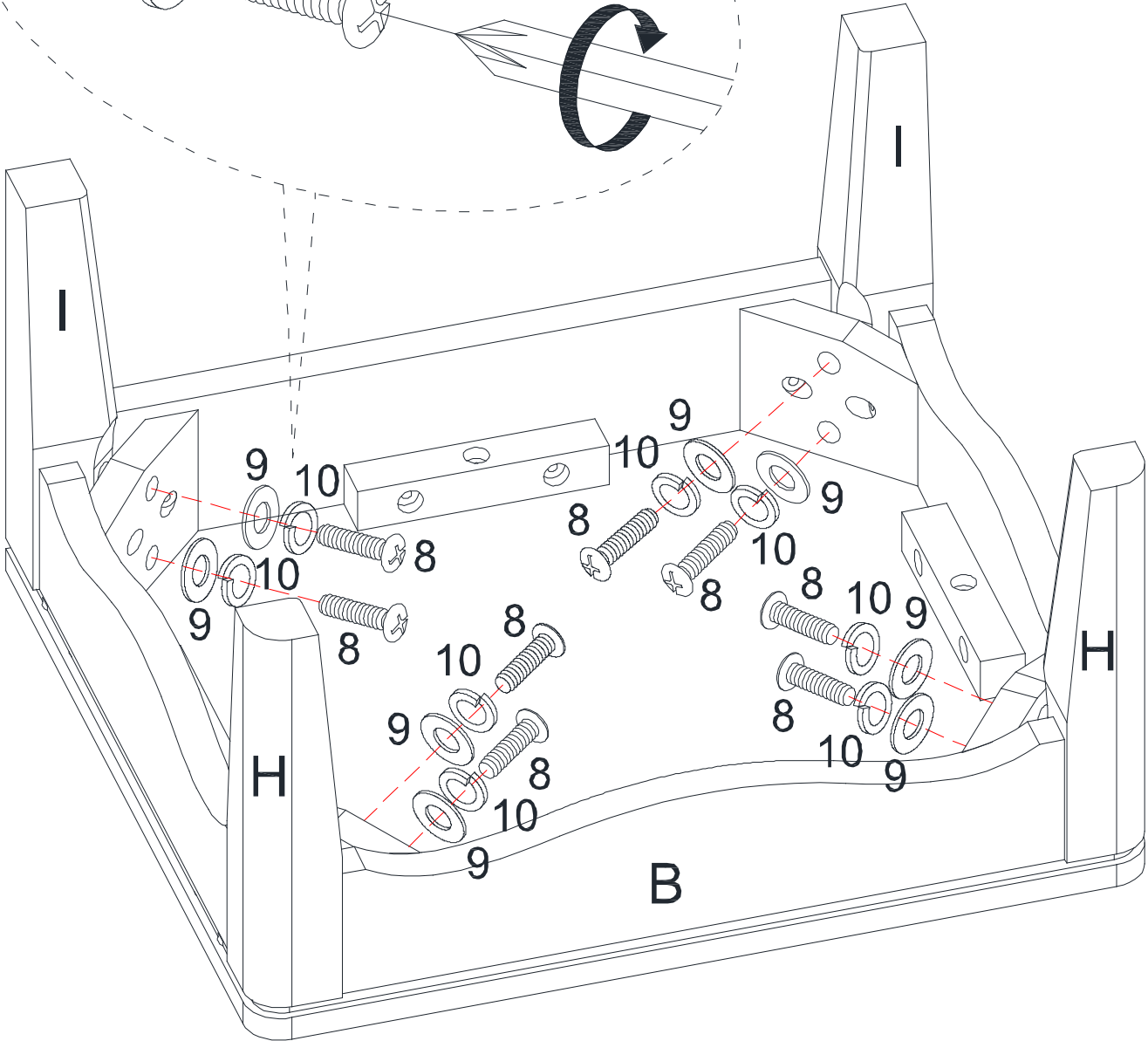
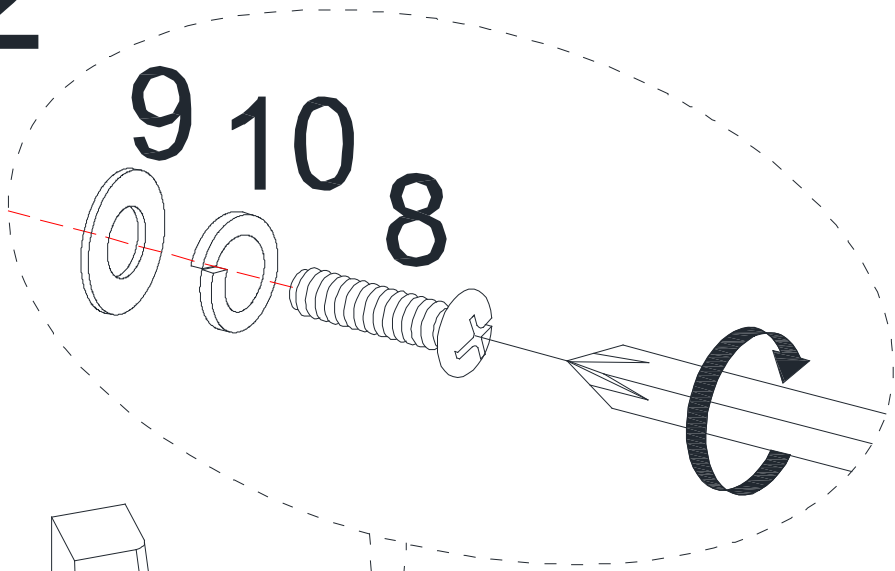
Assembly | Asambla | Assemblage

1



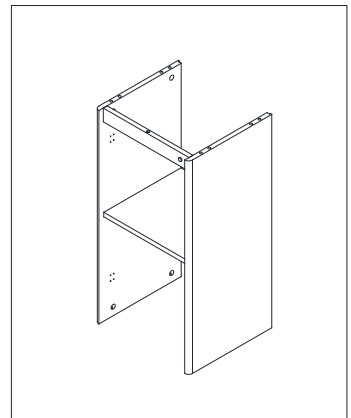
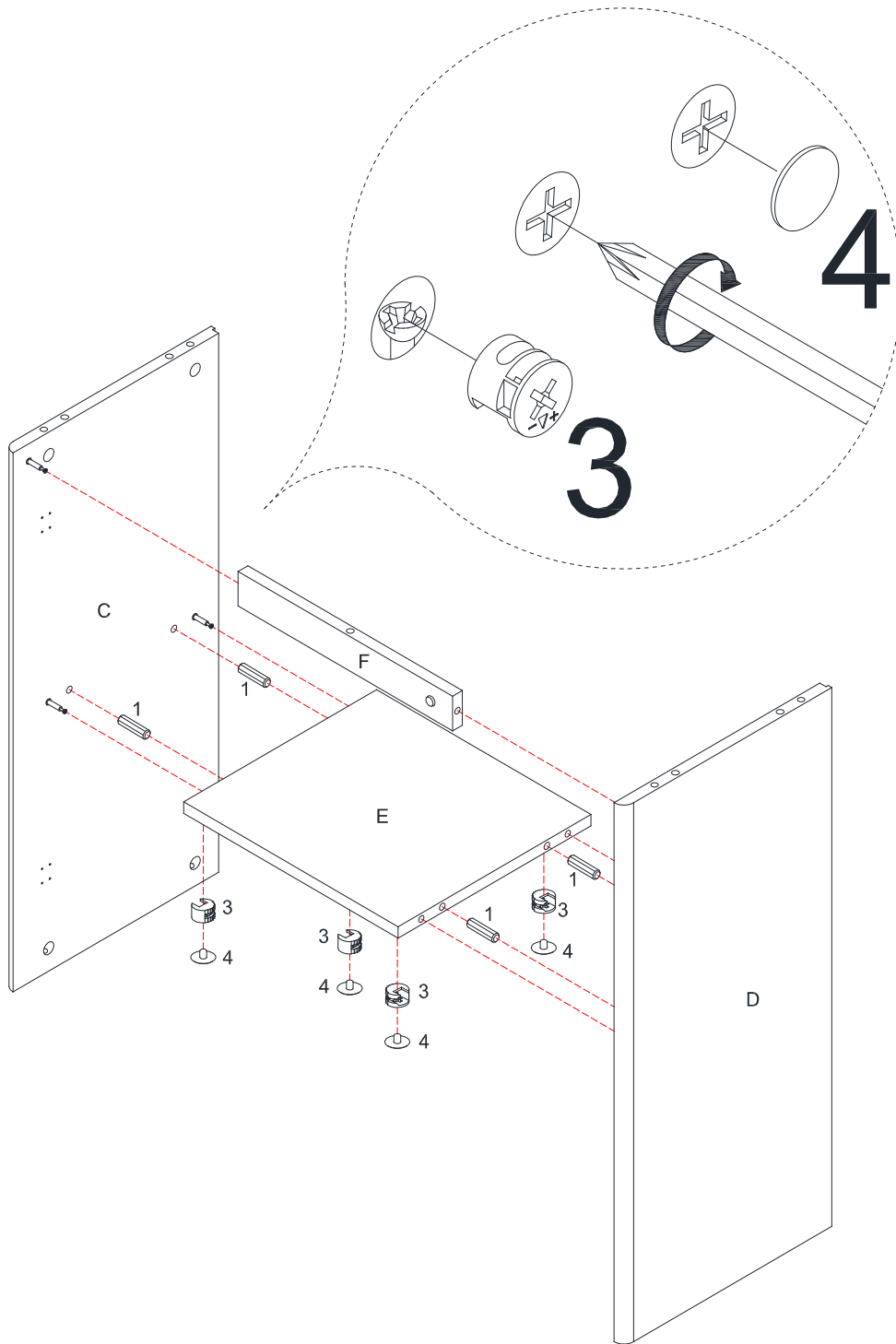
Assembly | Asambla | Assemblage

2



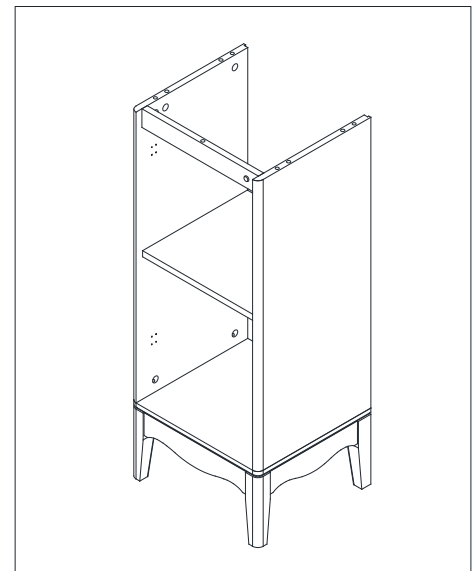
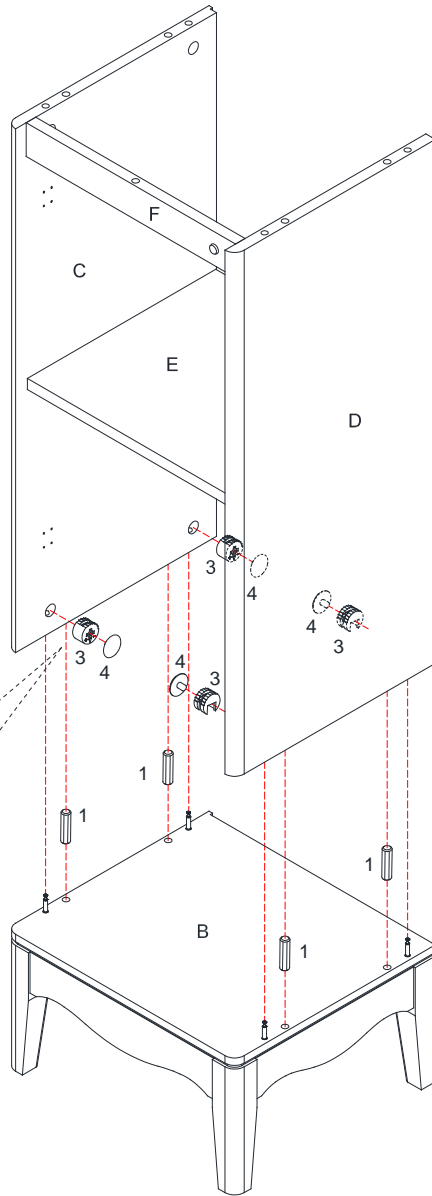
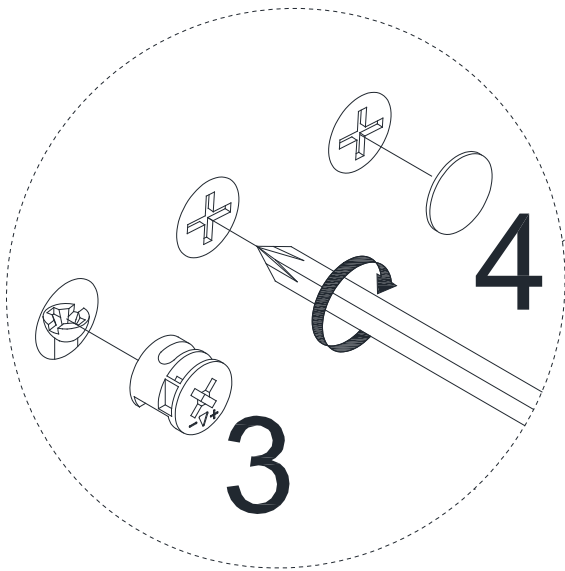
Assembly | Asambla | Assemblage

3



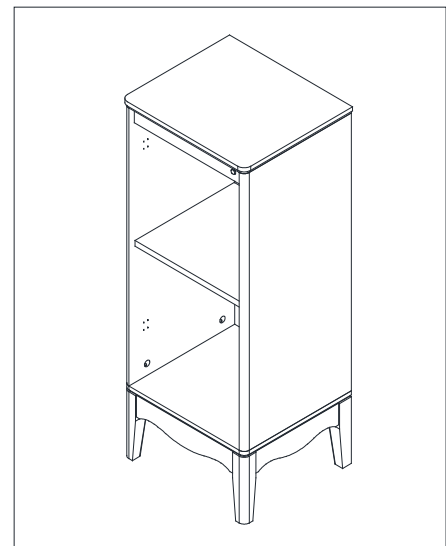
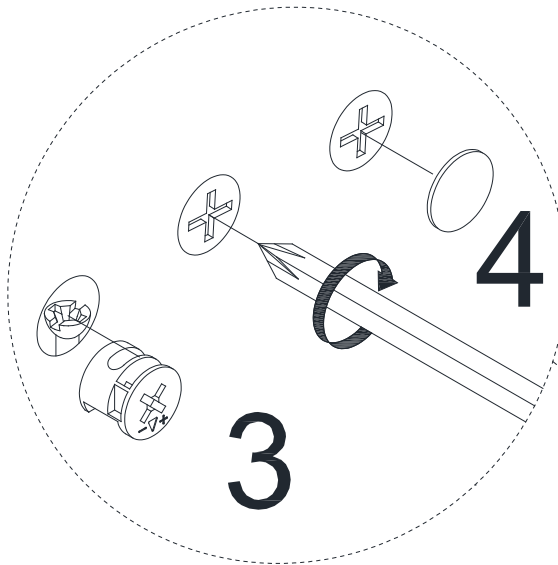
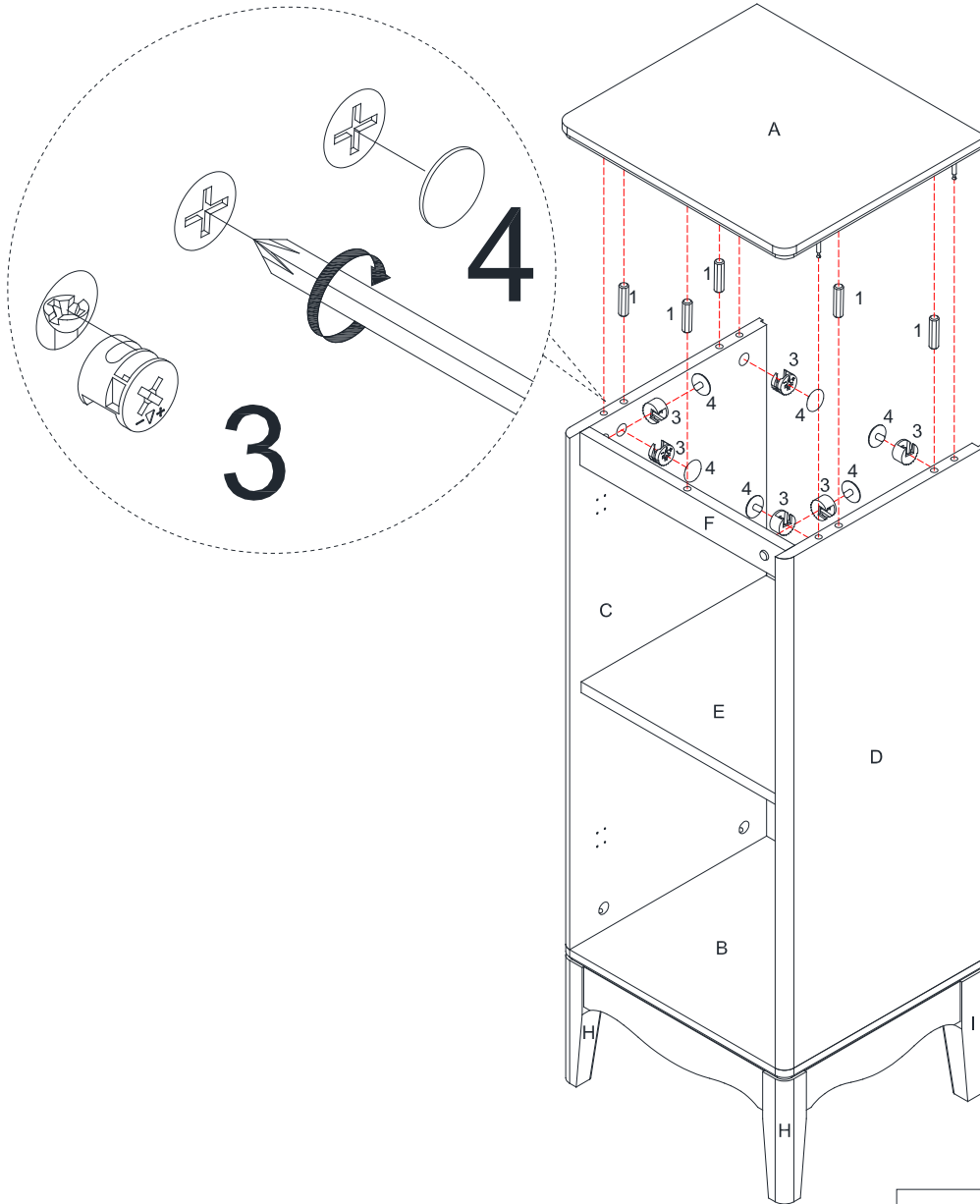
Assembly | Asambla | Assemblage

4



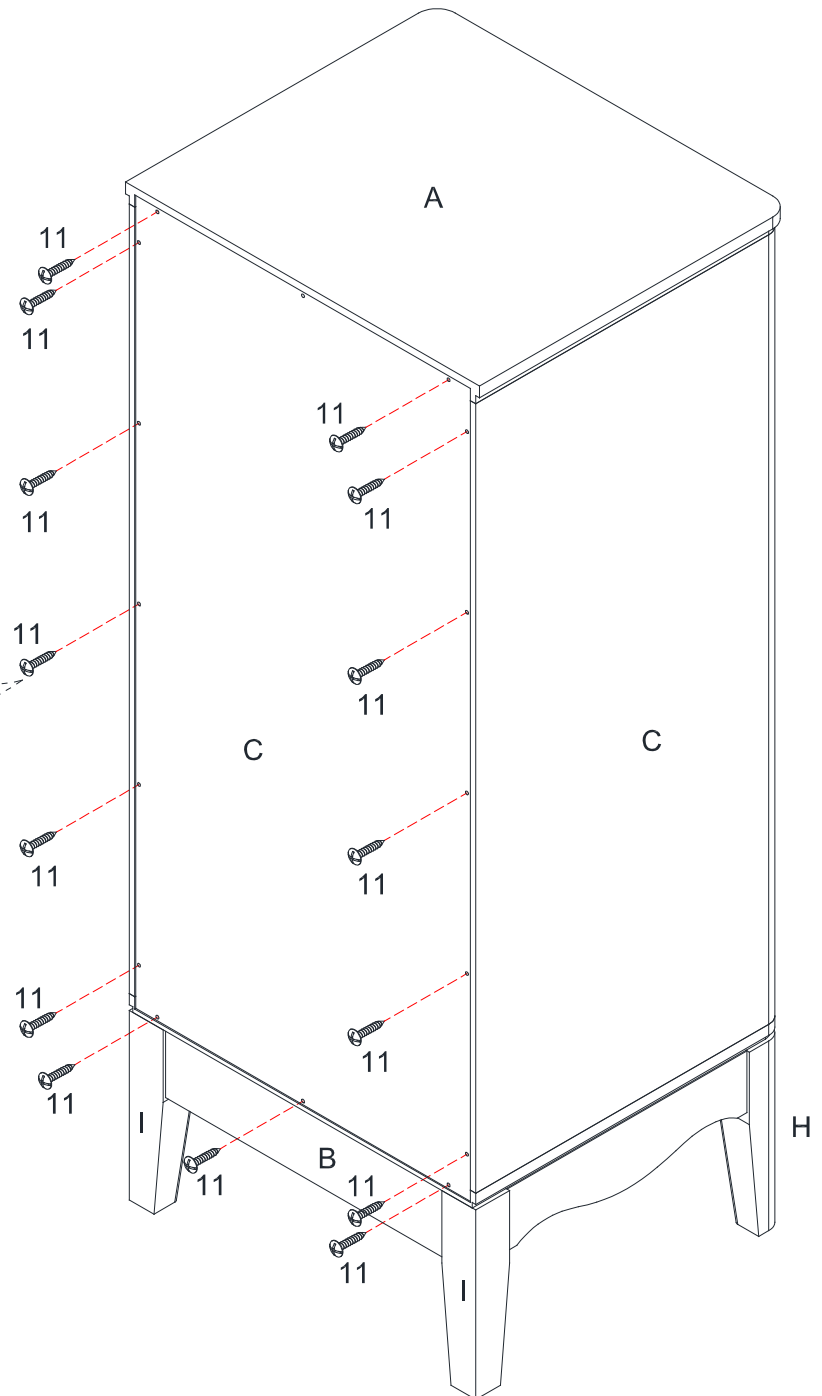
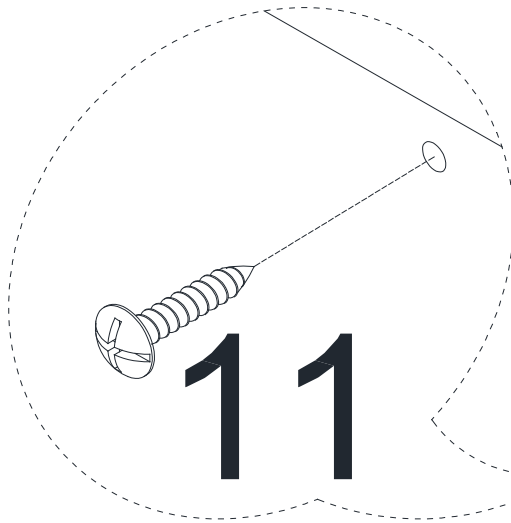
Assembly | Asambla | Assemblage

5



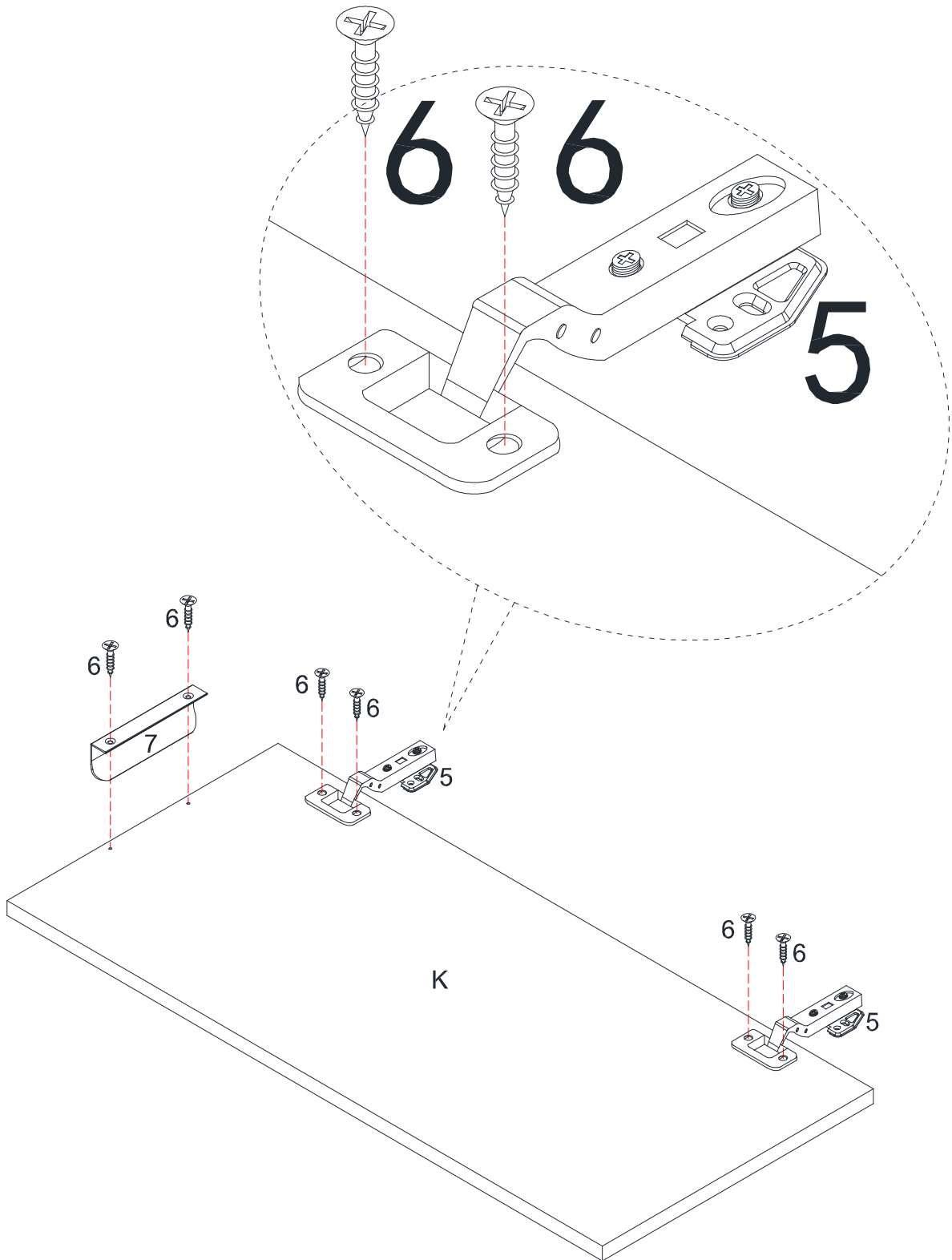
Assembly | Asambla | Assemblage

6



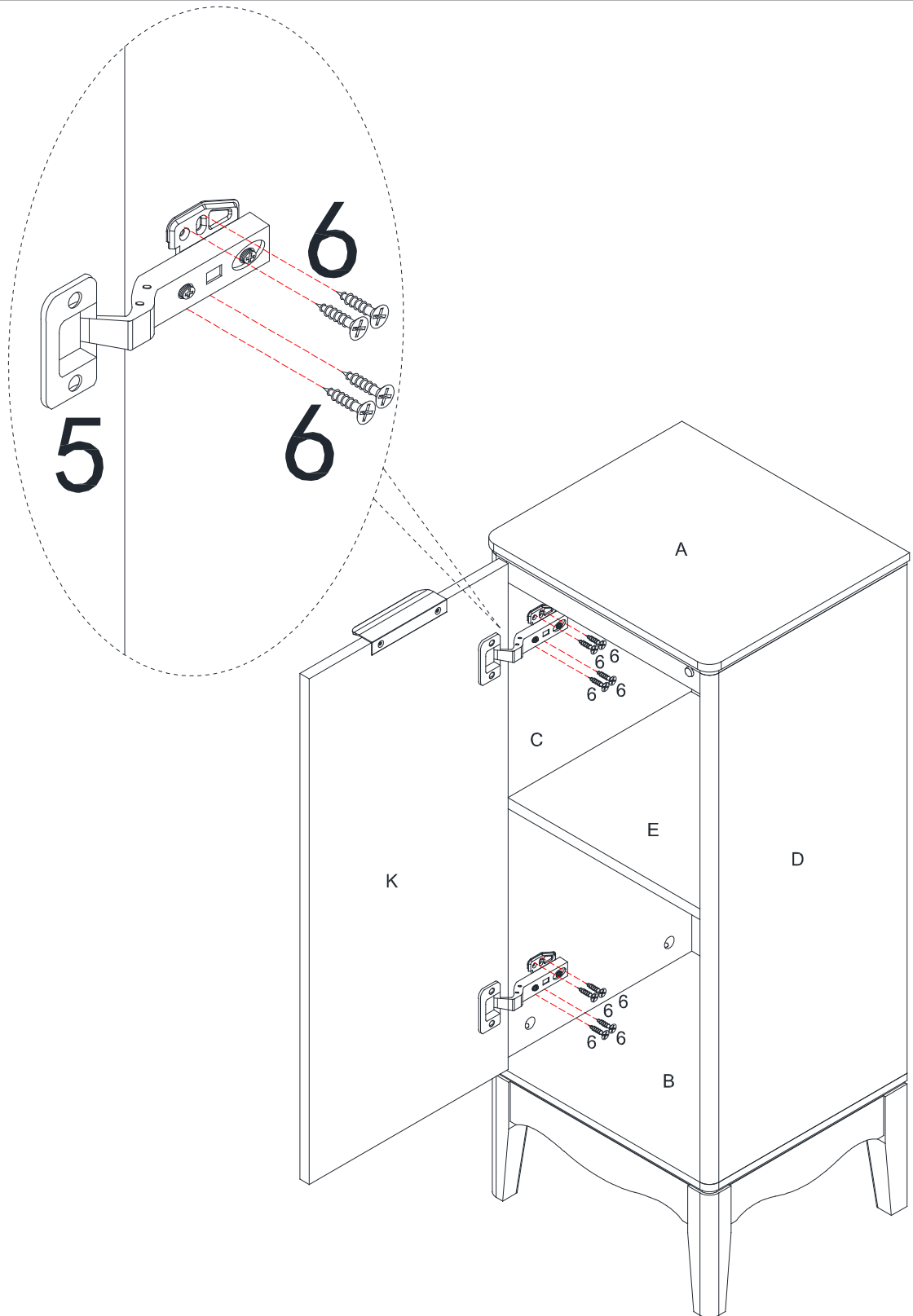
Assembly | Asambla | Assemblage

7



Assembly | Asambla | Assemblage

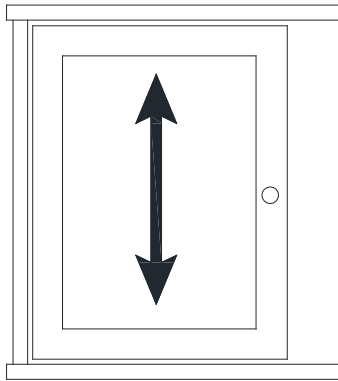
8



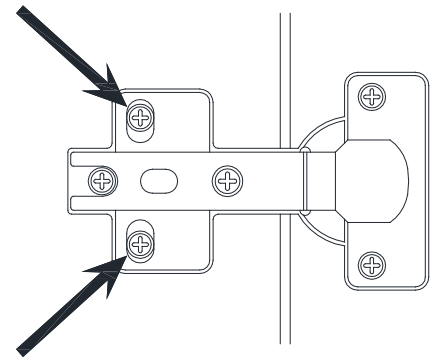
Assembly | Asambla | Assemblage

9

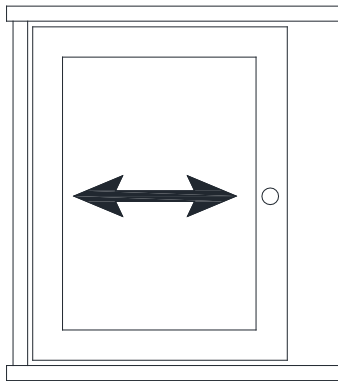
FRONT VIEW



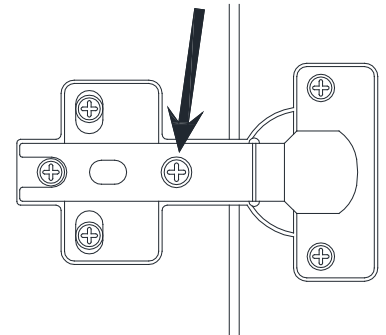
UP AND DOWN
Use screws to adjust the gaps at the top and bottom of door.



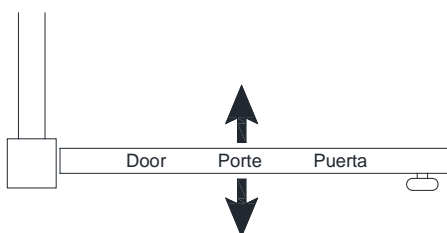
FRONT VIEW



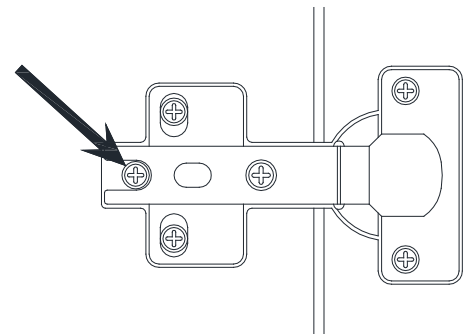
LEFT AND RIGHT
Use screw to adjust the gaps at left and right of the door.



TOP VIEW


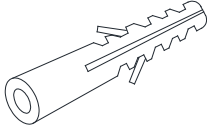

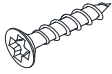
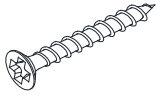
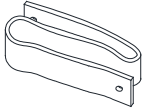


IN AND OUT
Use screw to move the door in or out.



Assembly | Asambla | Assemblage

10

#12	A	B	C	D	E
					
Safety Strap Kit	Anchor	Washer	Short Screw	Long Screw	Safety Wall Strap
1 SET	1 PC	2 PCS	1 PC	1 PC	1 PC

