

# COUNTER HEIGHT STOOL

## ASSEMBLY INSTRUCTION



ASSEMBLY INSTRUCTION

ASSEMBLY TIPS:

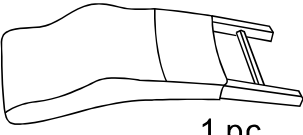
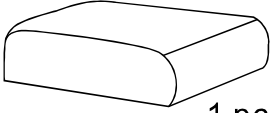





- 1.Remove hardware from box and sort by size.
- 2.Please check to see that all hardware and parts are present prior to start of assembly.
- 3.Please follow attached instructions in the same sequence as numbered to assure fast & easy assembly.

**▲WARNING!**

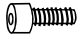




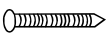
- 1.Don't attempt to repair or modify parts that are broken or defective. Please contact the store immediately.
- 2.This product is for home use only and not intend for commercial establishment.

ASSEMBLY TIME PER UNIT	5 MINUTES
------------------------	-----------

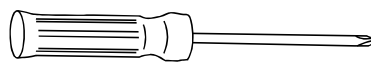
PARTS IDENTIFICATION

<p><b>A</b> Back rest</p>  <p style="text-align: right;">1 pc</p>	<p><b>B</b> Seat</p>  <p style="text-align: right;">1 pc</p>	<p><b>C</b> Front Left Leg</p>  <p style="text-align: right;">1 pc</p>
		<p><b>D</b> Front Right Leg</p>  <p style="text-align: right;">1 pc</p>
<p><b>E</b> Left stretcher</p>  <p style="text-align: right;">1 pc</p>	<p><b>F</b> Right stretcher</p>  <p style="text-align: right;">1 pc</p>	<p><b>G</b> Front stretcher</p>  <p style="text-align: right;">1 pc</p>

HARDWARE PACKAGE

	DESCRIPTION	IMAGE	SPECIFICATION	QUANTITY
1	SHORT BOLT		M8*45	5 pcs
2	LARGE BOLT		M8*60	4 pcs
3	ALLEN KEY		M8	1 pc
4	LOCK WASHER			9 pcs
5	FLAT WASHER			9 pcs
6	SCREW		ST4.5*45MM	6 pcs

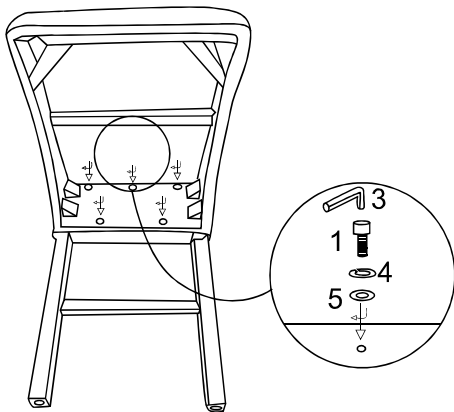
Additional tools required:



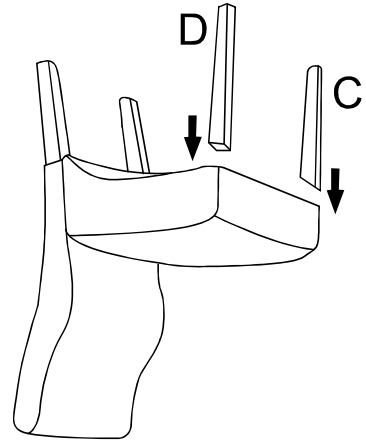
Crosshead Screwdriver

ASSEMBLY INSTRUCTIONS

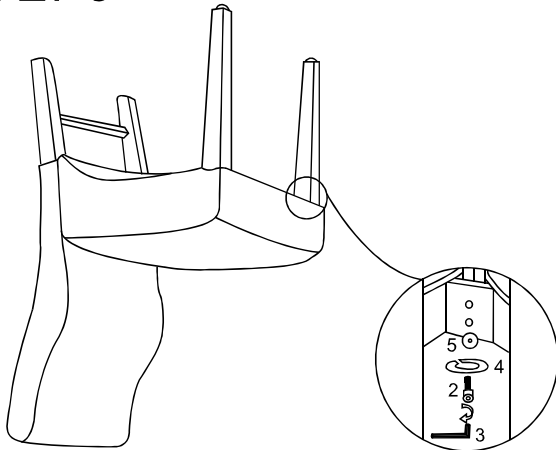
STEP 1



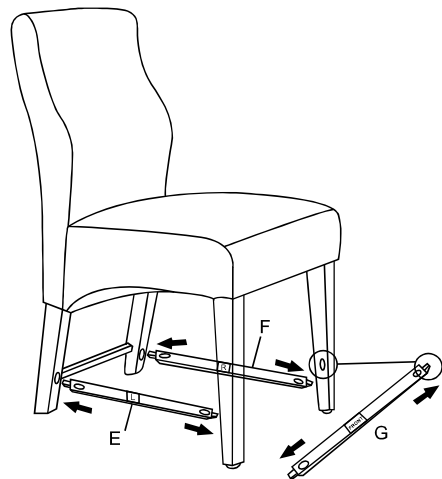
STEP 2



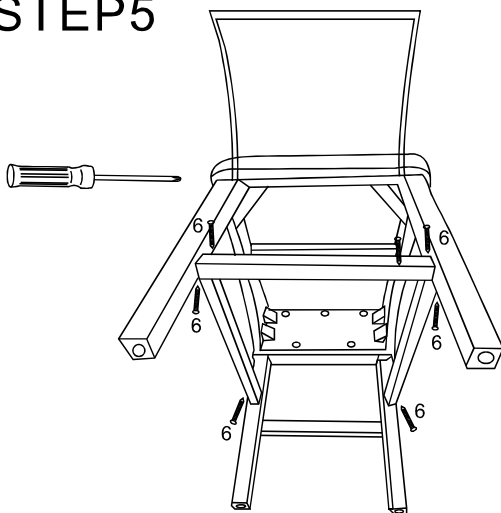
STEP 3



STEP 4



STEP 5



STEP 6

