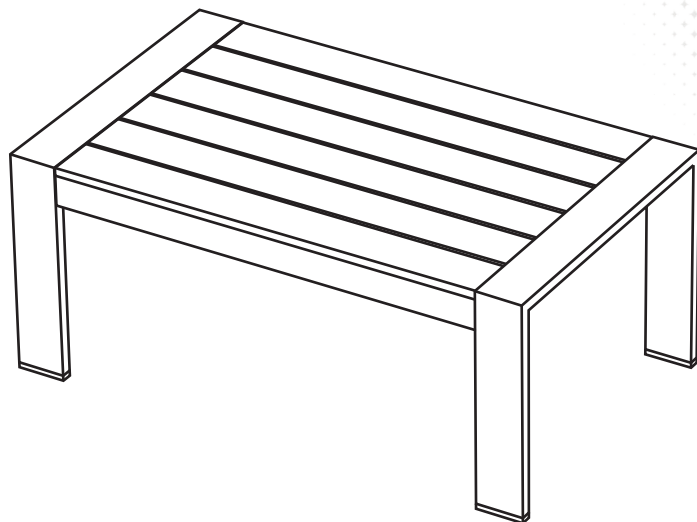
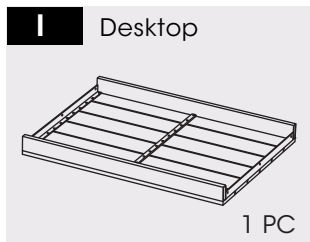
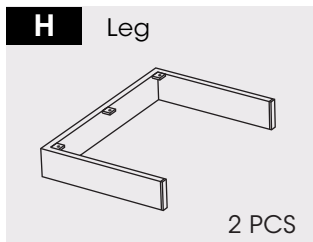


MANUAL INSTRUCTION

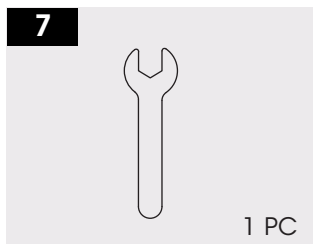
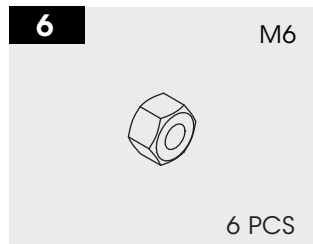
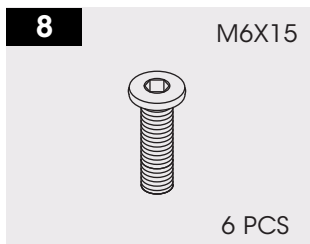
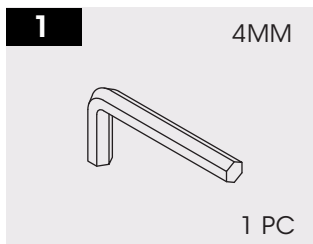
Aluminum coffee table



PARTS







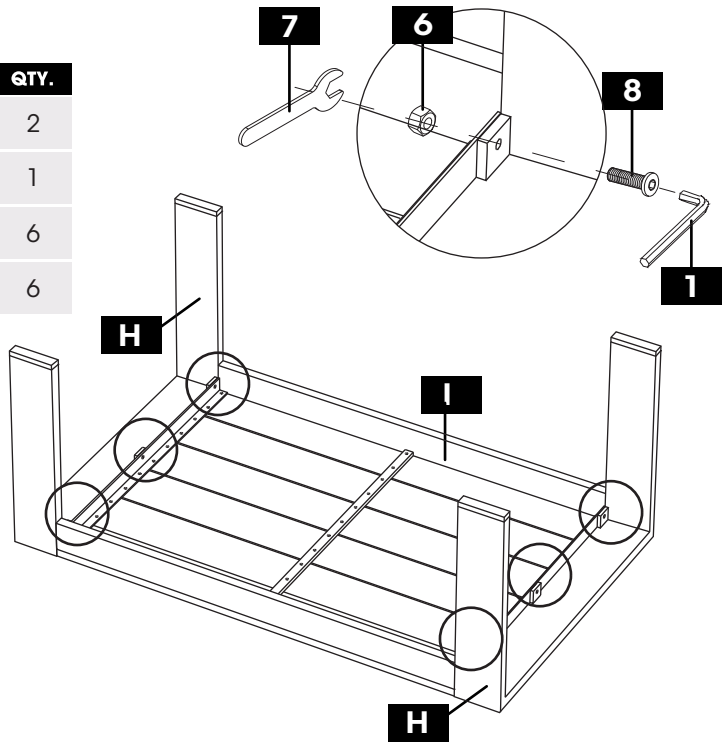
HARDWARE



PRODUCT ASSEMBLY

1 Step 1

PART	NO.	QTY.
	H	2
	I	1
	6	6
	8	6



2 Step 2

