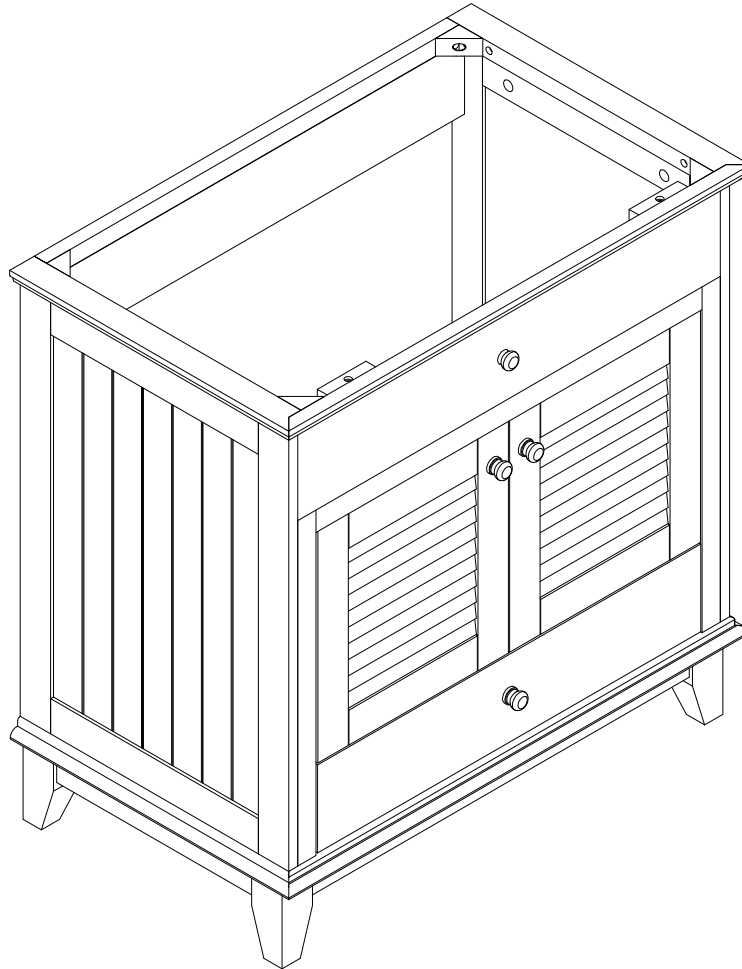


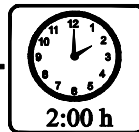
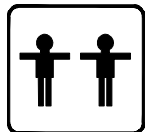
ASSEMBLY INSTRUCTIONS

30 INCH BATH VANITY-CABINET

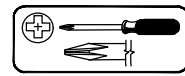


Thank you for purchasing this quality product. Be sure to check all packing material carefully for small parts which may have come loose inside the carton during shipment. Separate, identify and count all parts and hardware. Compare with the parts list to be sure all parts are present.
"DO NOT TIGHTEN SCREWS UNTIL COMPLETELY ASSEMBLED"

*** Use of power tool to assemble this product will invalidate any claim and damage this product making unsafe !!!**
*** Please assemble on a clean soft surface to avoid damage.**



Tools Required



(Not included)



(Not included)

IMPORTANT:

PLEASE READ INSTRUCTION BEFORE STARTING THE ASSEMBLY

Thank you for buying our products.

Please read the installation manual carefully before installation,

we need you to follow the instructions on the accessories and hardware

step by step assembly complete, our instructions are very detailed.

Products are environmentally friendly products,

Please rest assured that you do not soak in water, do not place very heavy items,

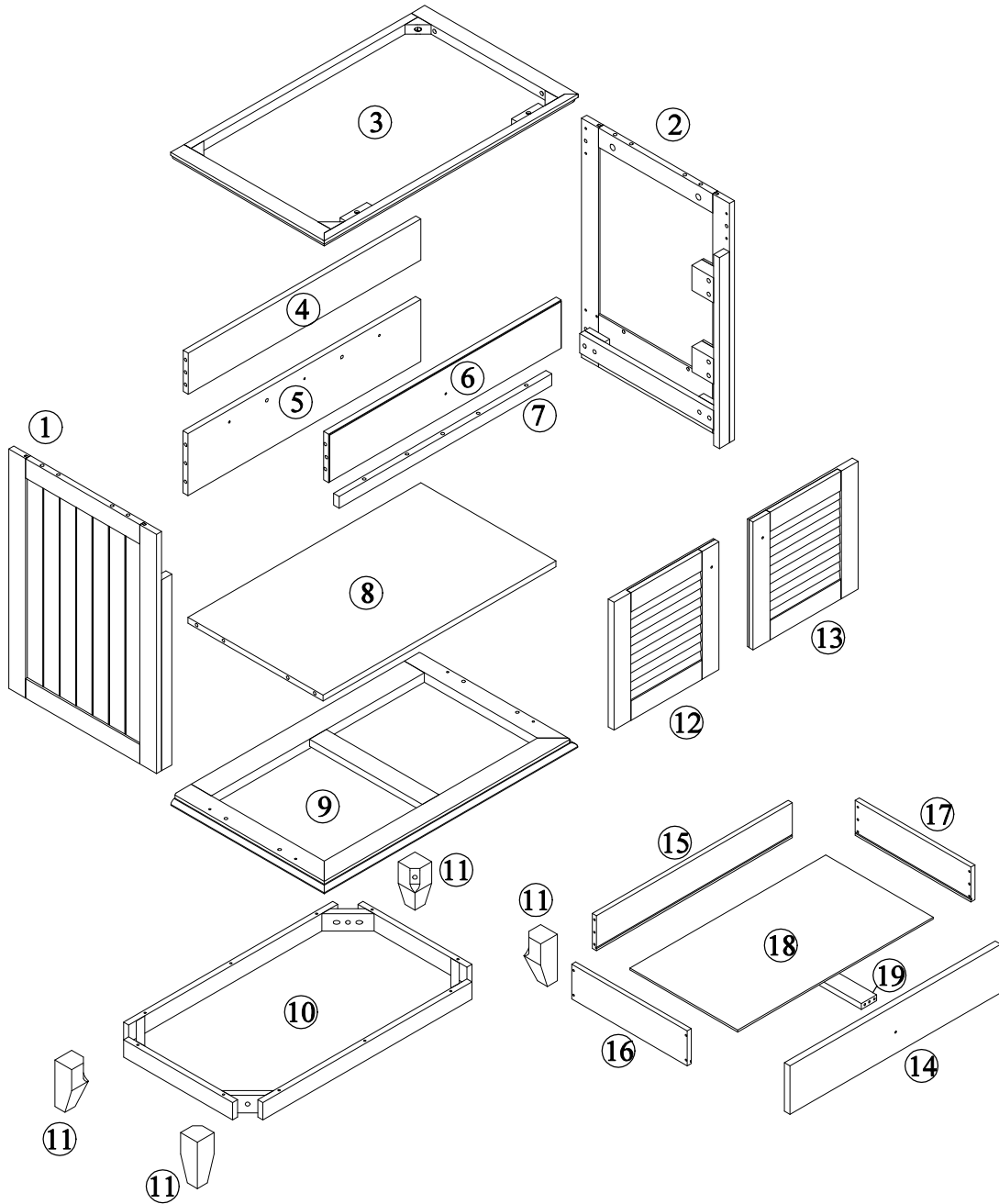
do not malicious push and pull,

if you have any problems in the process of assembly and use, please contact us.

Thank you again for your purchase of our products,

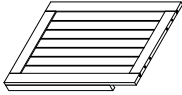
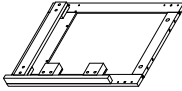
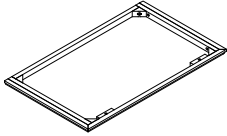
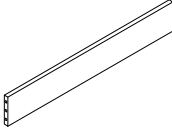
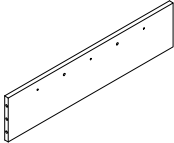
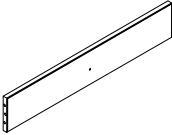
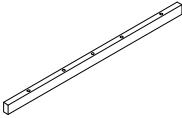
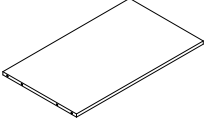
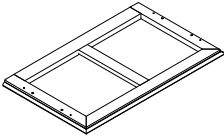
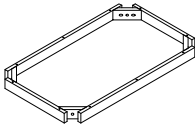
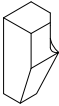
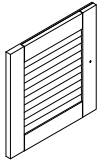
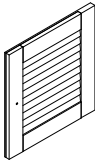
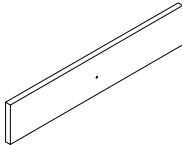
I wish you a happy life.

Detail View - CABINET

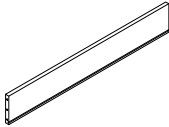
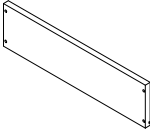
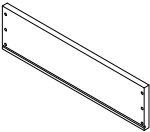
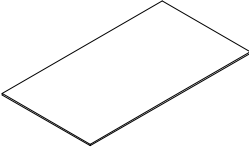
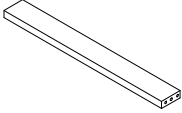


Identifying the Hardware-Identify the hardware using the illustrations below.









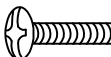
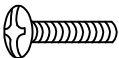
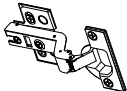
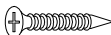
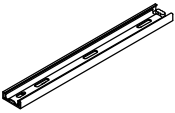
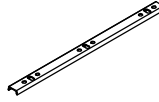
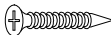


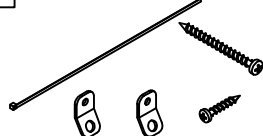
Part List

<p>1</p>  <p>Left side - 1pc</p>	<p>2</p>  <p>Right side - 1pc</p>
<p>3</p>  <p>Upper frame - 1pc</p>	<p>4</p>  <p>Rear upper plate - 1pc</p>
<p>5</p>  <p>Rear Lower plate - 1pc</p>	<p>6</p>  <p>Front upper plate - 1pc</p>
<p>7</p>  <p>Horizontal bar - 1pc</p>	<p>8</p>  <p>Middle plate - 1pc</p>
<p>9</p>  <p>Lower frame 1 - 1pc</p>	<p>10</p>  <p>Lower frame 2 - 1pc</p>
<p>11</p>  <p>Cabinet foot - 4pcs</p>	<p>12</p>  <p>Left cabinet door - 1pc</p>
<p>13</p>  <p>Right cabinet door - 1pc</p>	<p>14</p>  <p>Drawer face plate - 1pc</p>

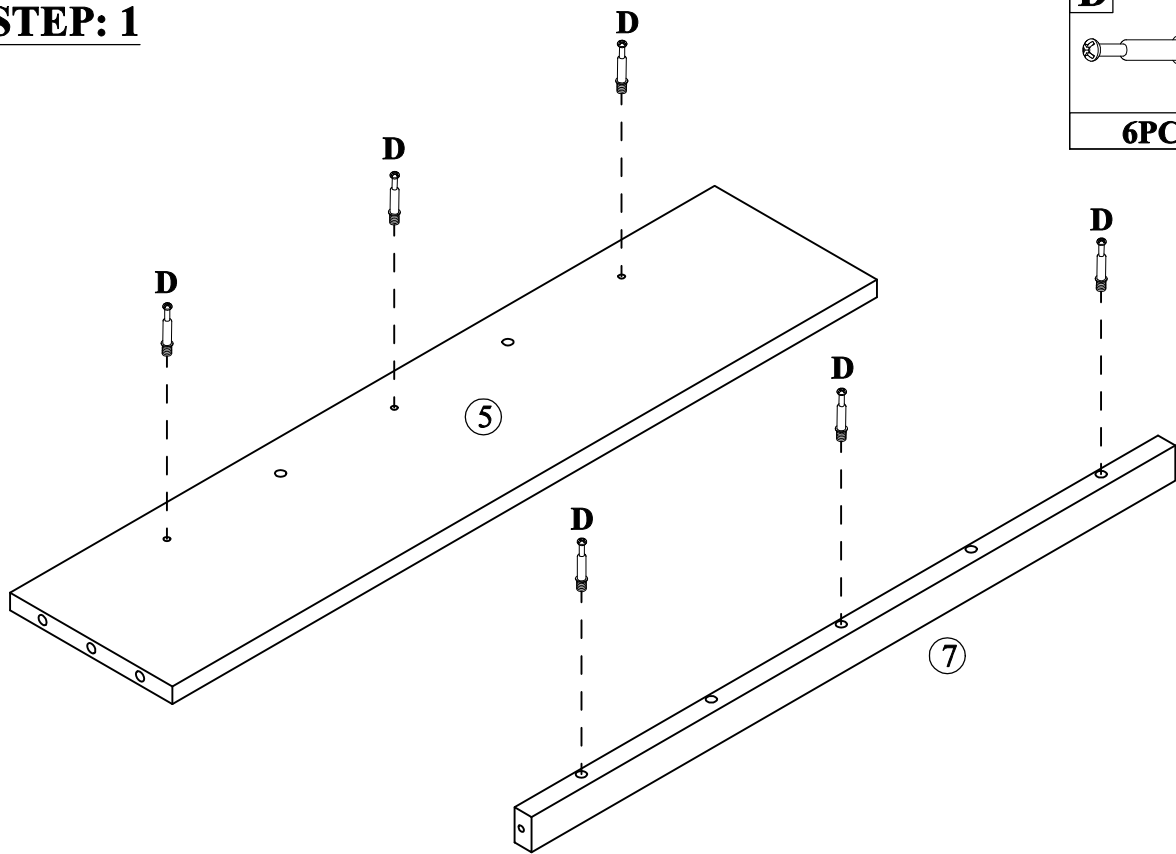
Part List

15  Drawer back side plate - 1pc	16  Left drawer side plate - 1pc
17  Right drawer side plate - 1pc	18  Drawer bottom plate - 1pc
19  Drawer support bar - 1pc	

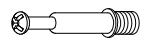
Hardware List

<p>A</p>  <p>$\varnothing 13 \times 1/4" \times 50 \text{mm}$</p>	<p>B</p>  <p>$\varnothing 10 \times 10 \text{mm}$</p>	<p>C</p>  <p>$\varnothing 1/4" \times 16 \times 1 \text{mm}$</p>
<p>Hex-Head bolts(6pcs) Horizontal-Hole bolts(2pcs) Washer(4pcs)</p>		
<p>D</p>  <p>$\varnothing 6 \times 35 \text{mm}$</p>	<p>E</p>  <p>$\varnothing 14.5 \times 12 \text{mm}$</p>	<p>F</p>  <p>$\varnothing 8 \times \varnothing 4 \times 32 \text{mm}$</p>
<p>Three in one bolts(30pcs) Three in one lock(30pcs) Round head screw(19pcs)</p>		
<p>G</p>  <p>$\varnothing 8 \times \varnothing 4 \times 25 \text{mm}$</p>	<p>H</p> 	<p>I</p>  <p>$\varnothing 5/32" \times 30 \text{mm}$</p>
<p>Round head screw(2pcs) Handle(4pcs) Handle screw(1pc)</p>		
<p>J</p>  <p>$\varnothing 5/32" \times 19 \text{mm}$</p>	<p>K</p> 	<p>L</p>  <p>$\varnothing 6 \times \varnothing 3.5 \times 15 \text{mm}$</p>
<p>Handle screw(3pcs) Damping hinge (4pcs) Flat head screw(24pcs)</p>		
<p>M</p>  <p>$\varnothing 300 \times 35 \text{mm}$</p>	<p>N</p>  <p>$\varnothing 298 \times 18 \text{mm}$</p>	<p>O</p>  <p>$\varnothing 6 \times \varnothing 3.5 \times 10 \text{mm}$</p>
<p>Slide rails (2pcs) Slide rails (2pcs) Flat head screw(14pcs)</p>		
<p>P</p>  <p>$\varnothing 8 \times 30 \text{mm}$</p>	<p>Q</p>  <p>4mm</p>	<p>R</p> 
<p>Wood dowel(26pcs) Allen key(1pc) Anti fall hardware - 1set</p>		

STEP: 1

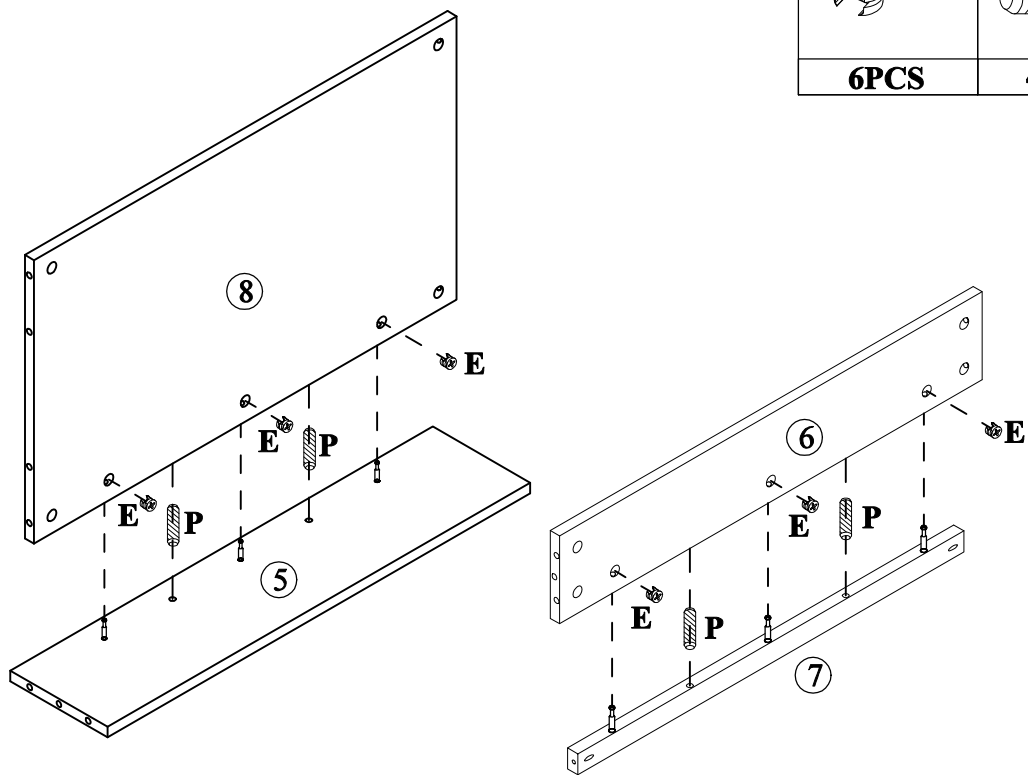


D



6PCS

STEP: 2



E



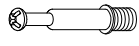


6PCS

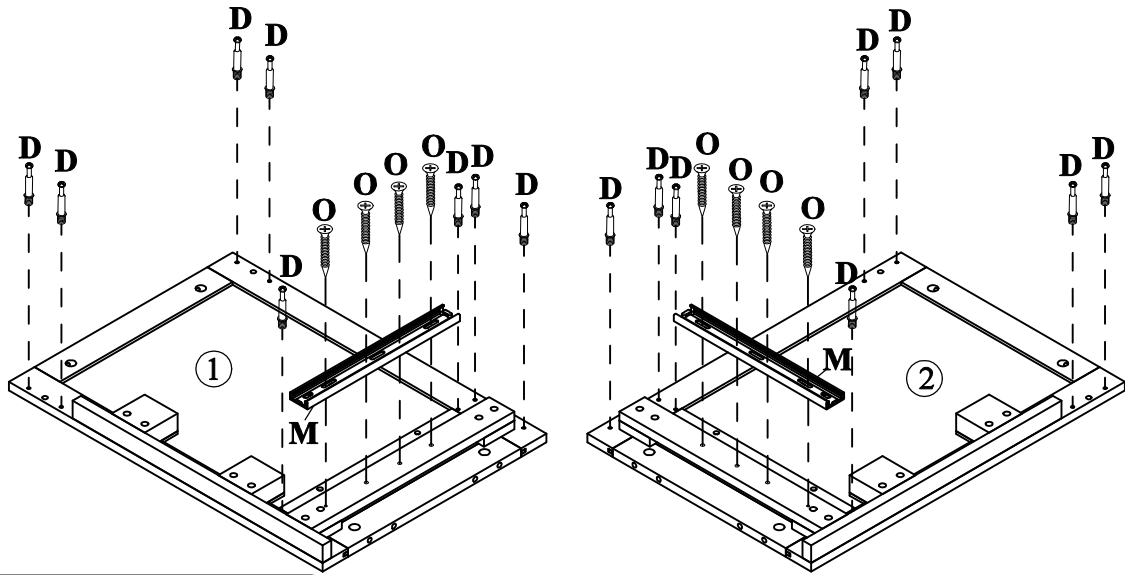
P



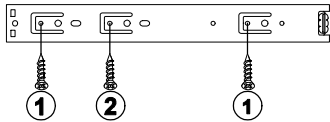
4PCS

STEP: 3



D 	M 	O 
16PCS	2PCS	8PCS

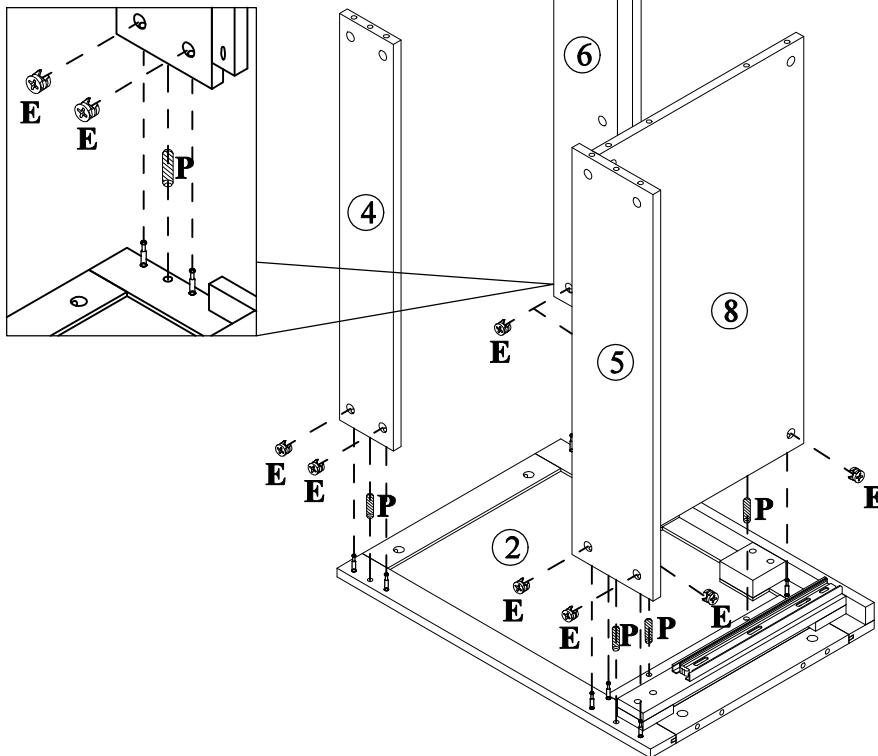


POSITION OF SCREW

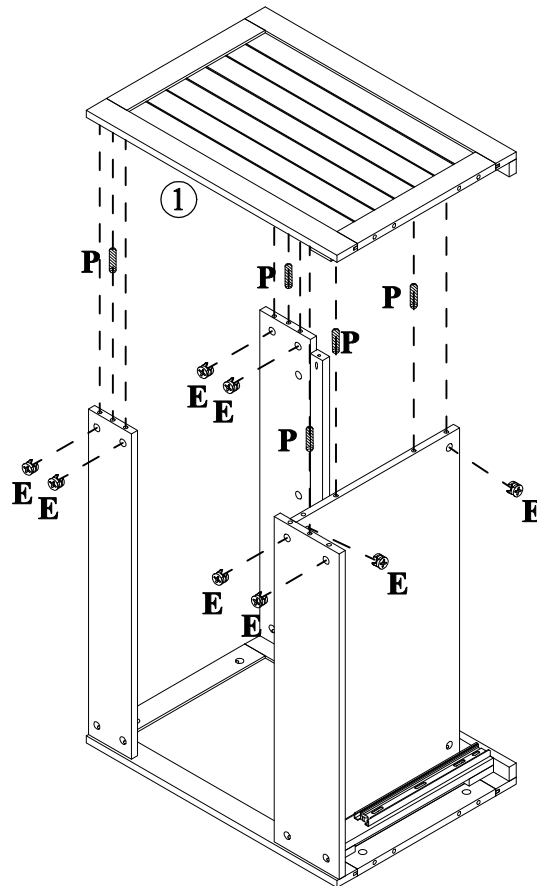



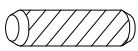
STEP: 4

E 	P 
8PCS	5PCS

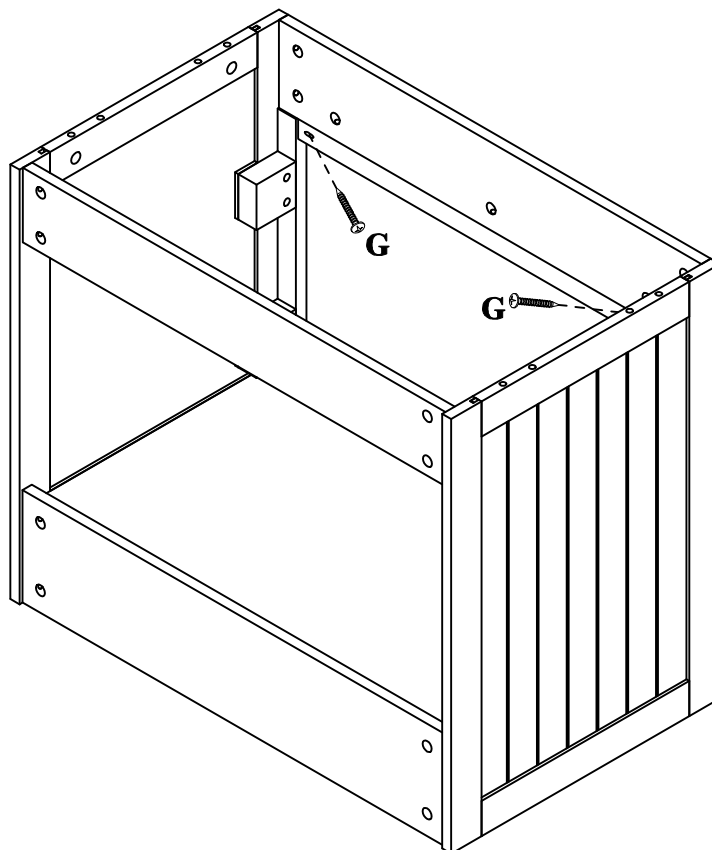



STEP: 5



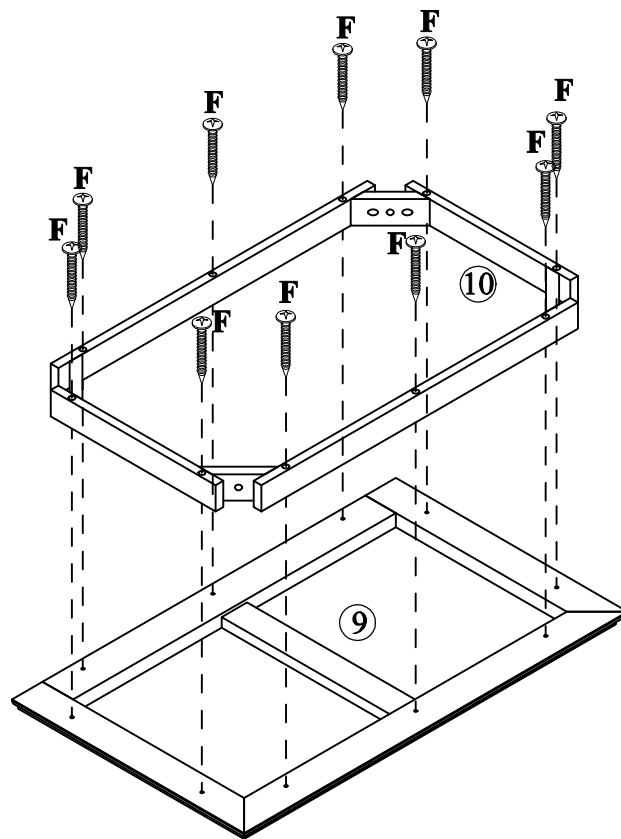
E 	P 
8PCS	5PCS

STEP: 6



G 
2PCS

STEP: 7

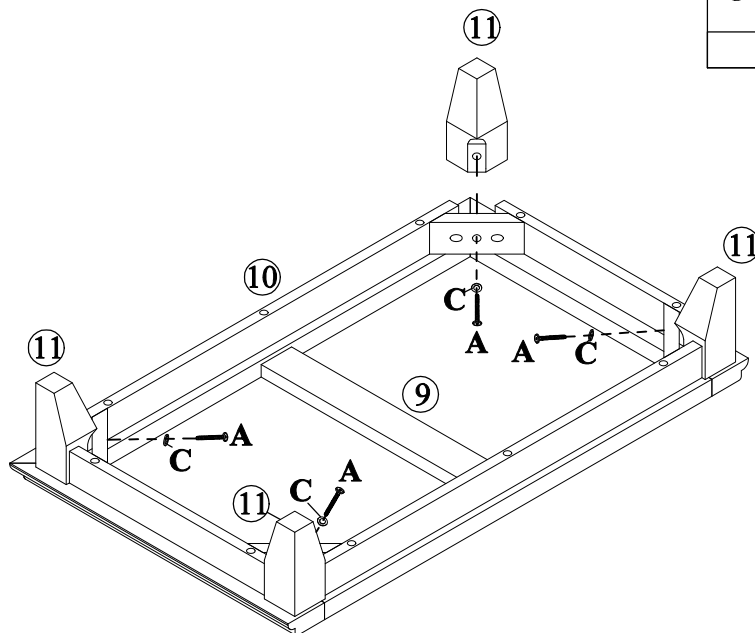


F



10PCS

STEP: 8



A



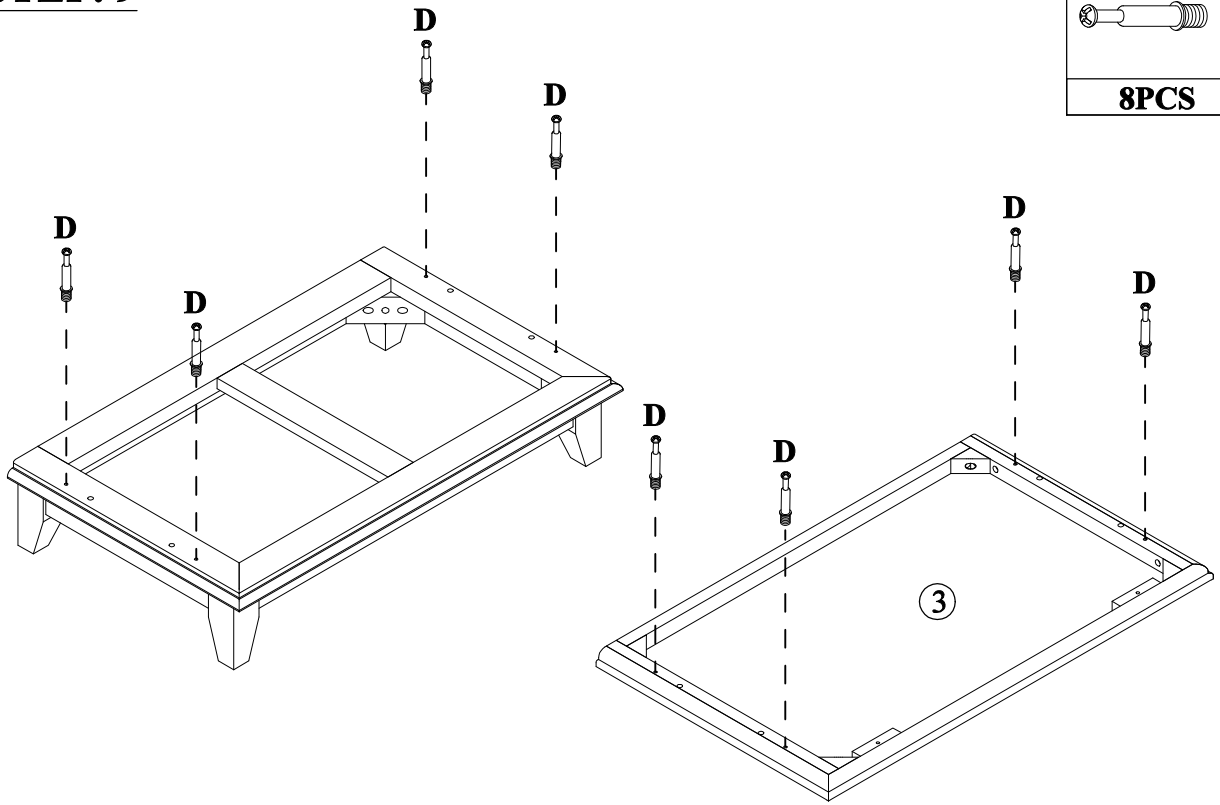
4PCS

C

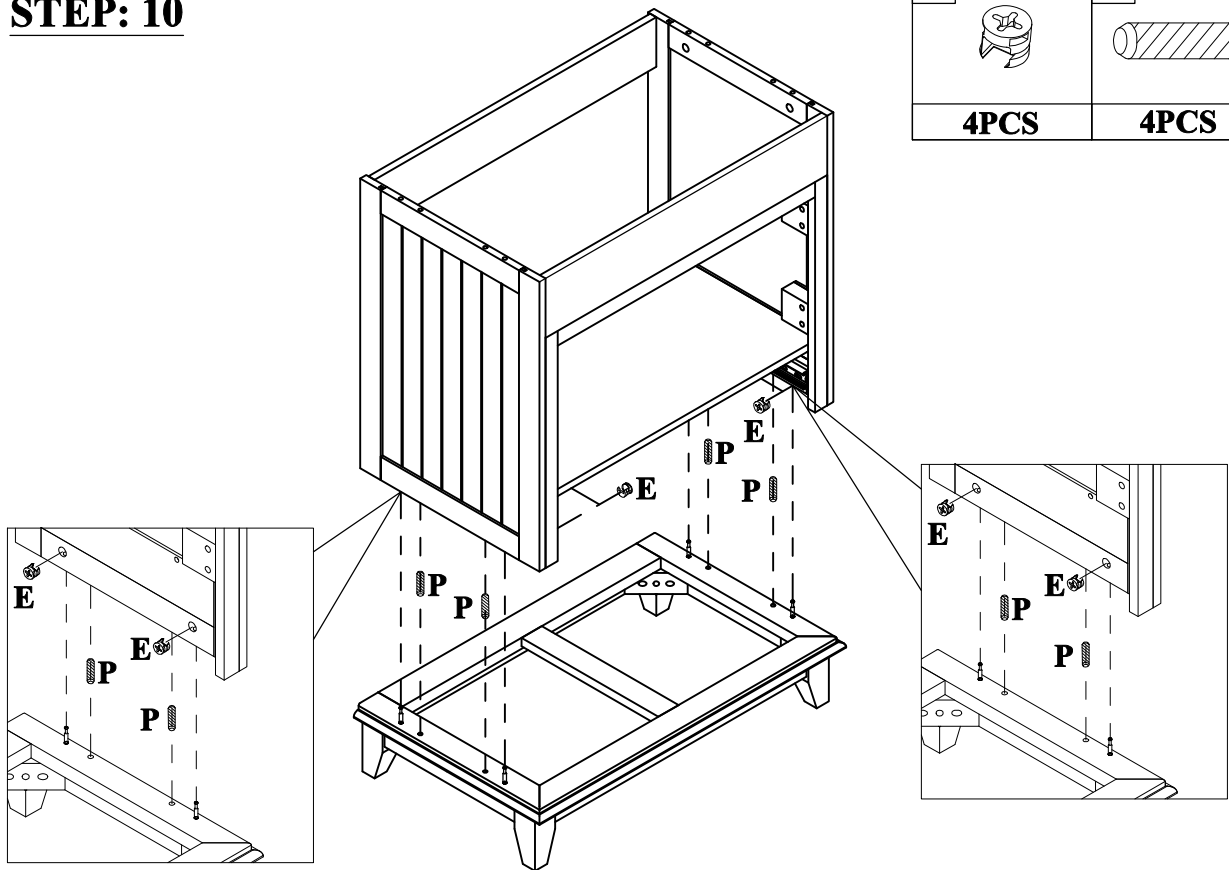


4PCS


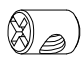

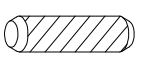
STEP: 9

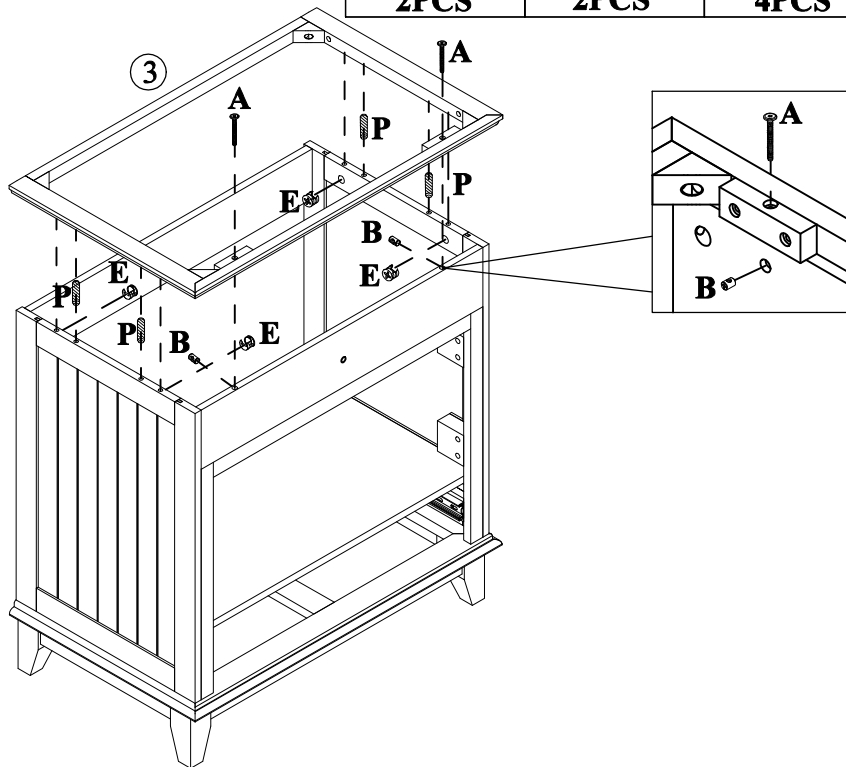


STEP: 10





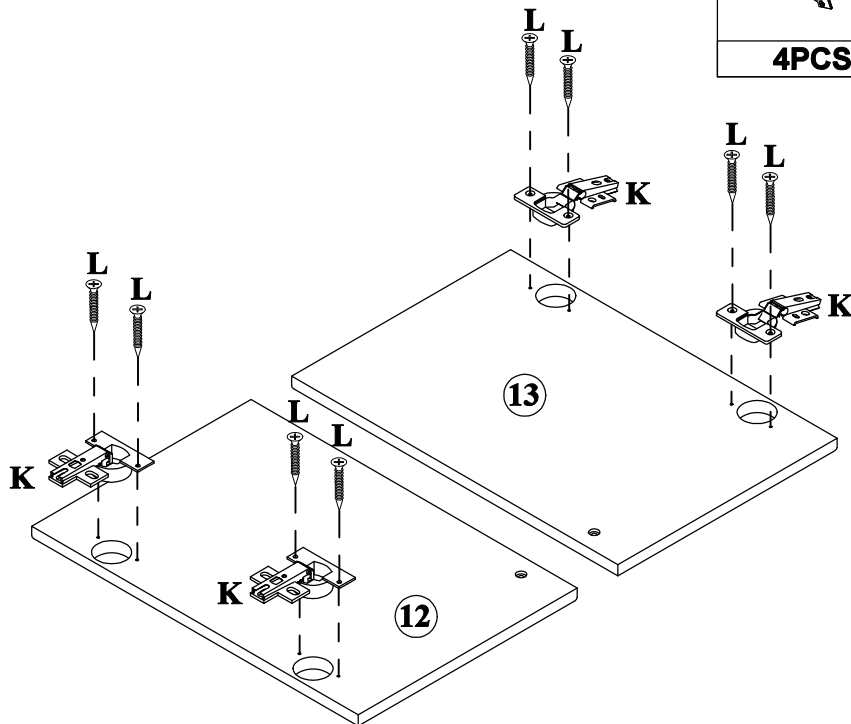
STEP: 11

A	B	E	P
			
2PCS	2PCS	4PCS	4PCS



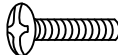


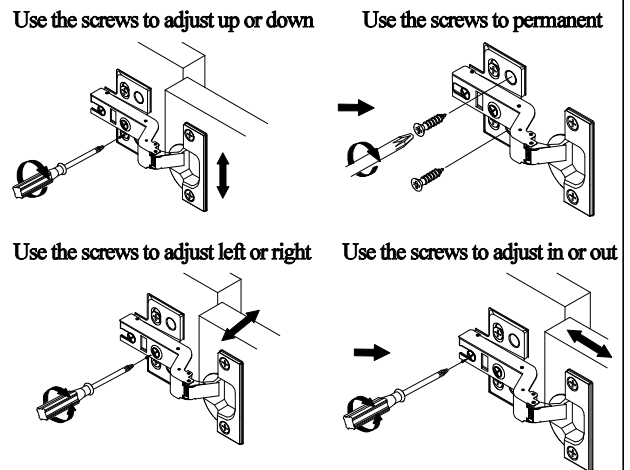
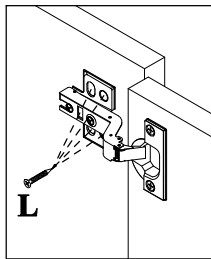
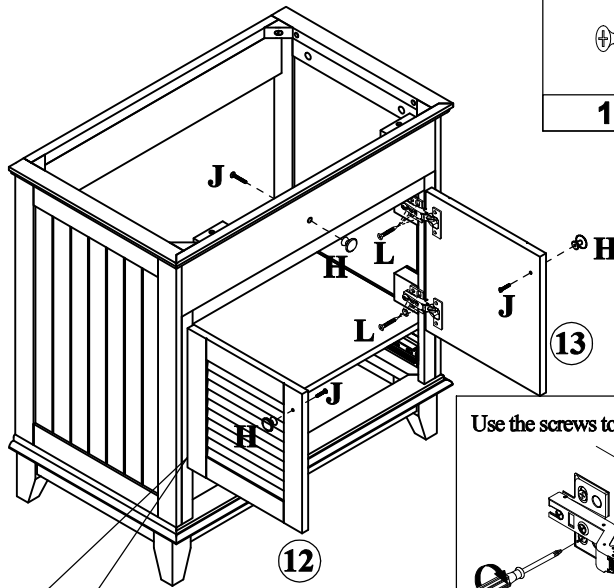
STEP: 12

K	L
	
4PCS	8PCS





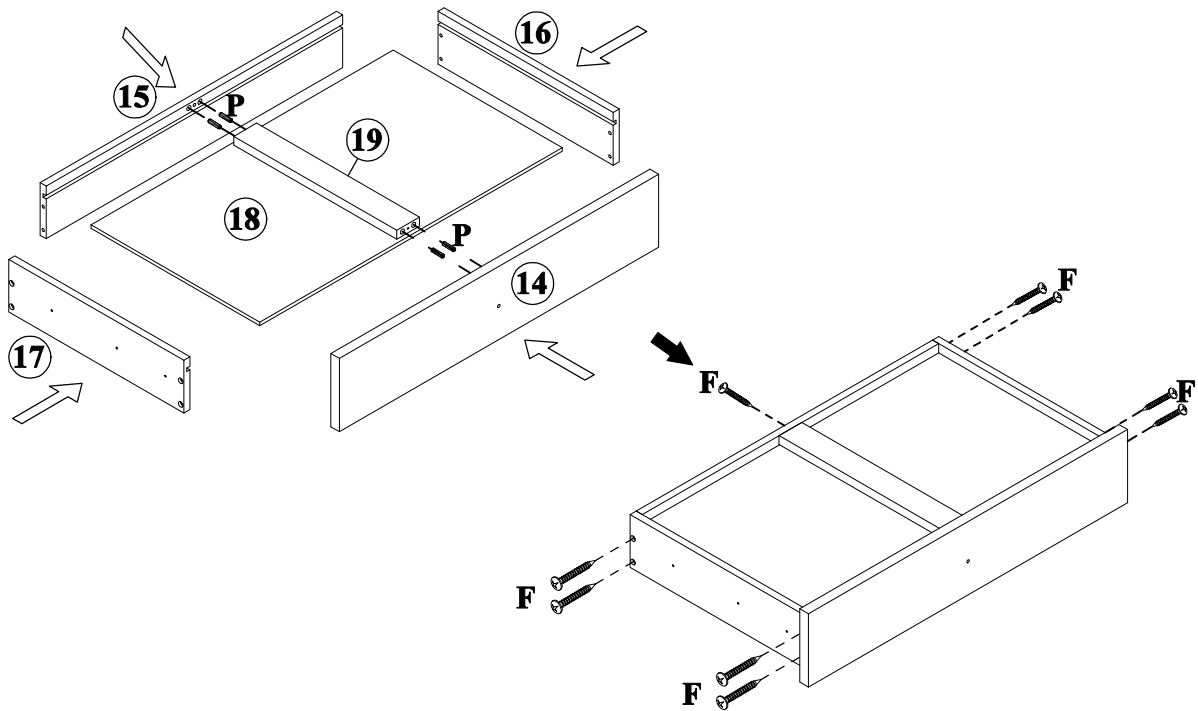
STEP: 13

L	H	J
		
16PCS	3PCS	3PCS

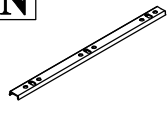


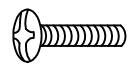


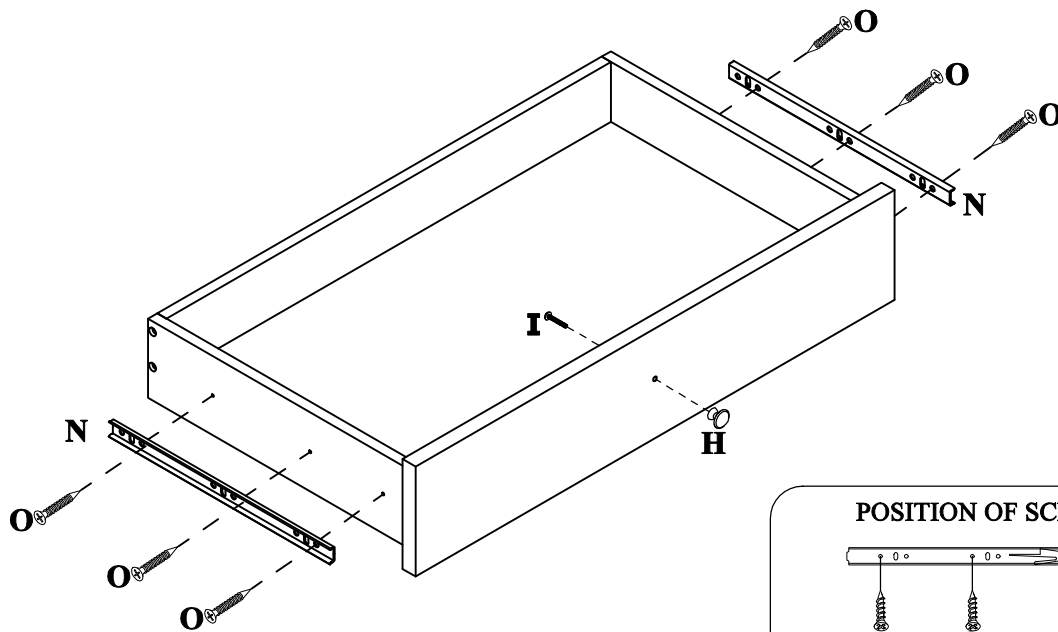
STEP: 14

P	F
	
4PCS	9PCS

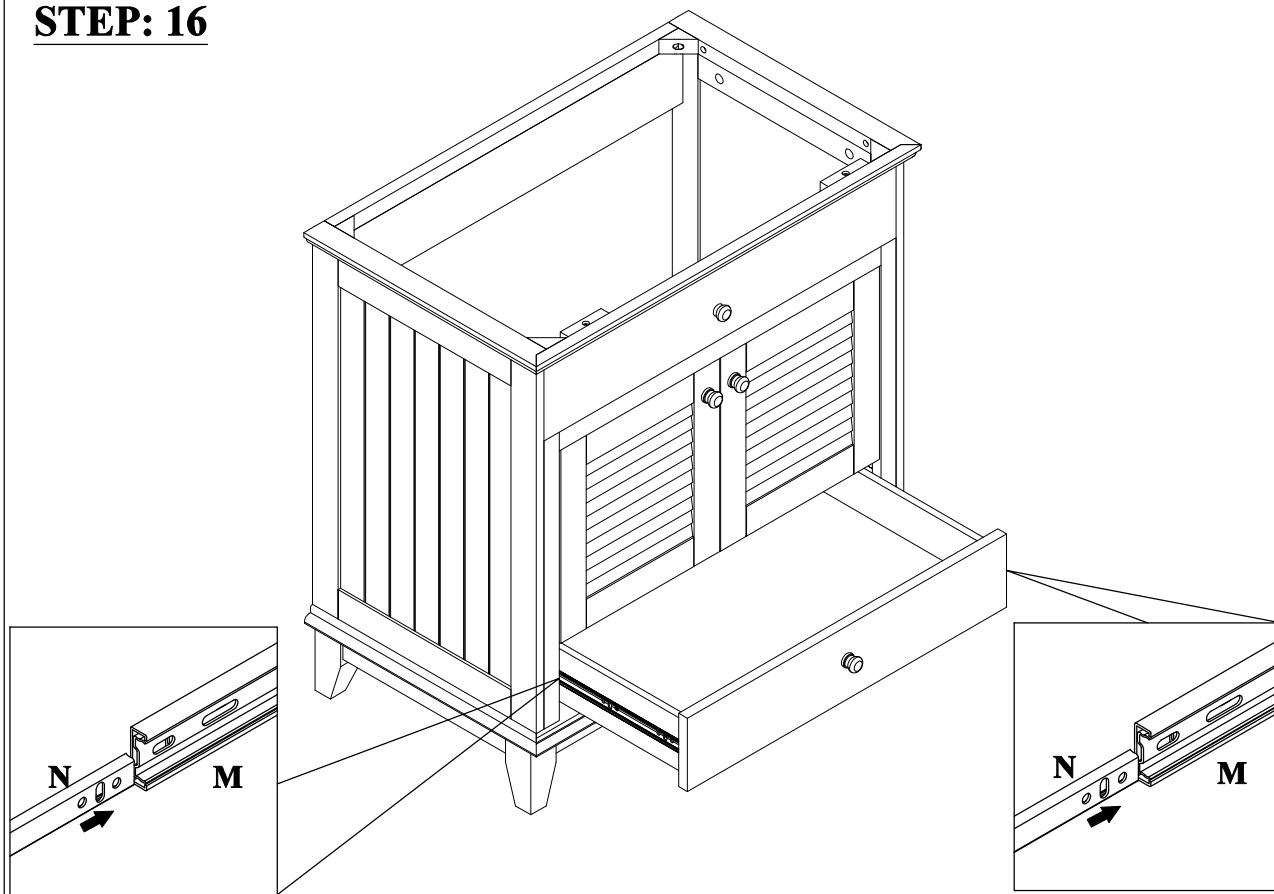


STEP: 15

N	O	H	I
			
2PCS	6PCS	1PC	1PC




STEP: 16



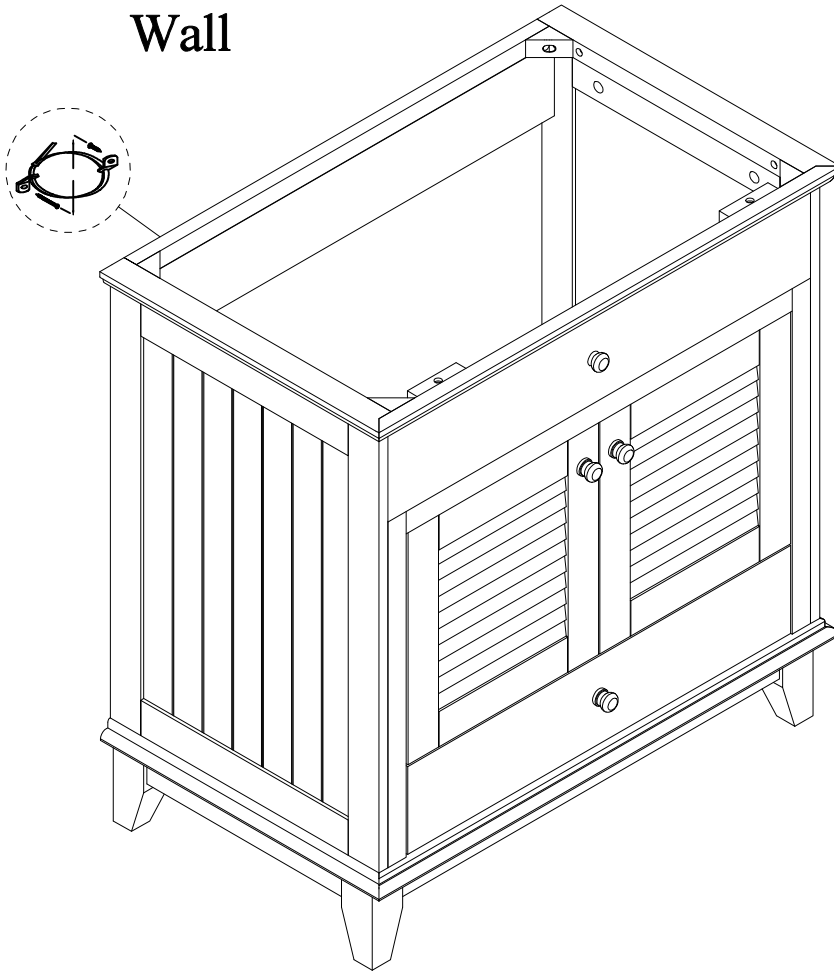
STEP: 17

R



1SET

Wall



STEP: 18

