

INSTRUCTION MANUAL ENCLOSED

ATTENTION

**IF YOU HAVE ANY PROBLEMS OR QUESTIONS, EMAIL OR CALL
CUSTOMER SERVICE BEFORE YOU RETURN THIS PRODUCT TO THE
STORE WHERE IT WAS PURCHASED.**

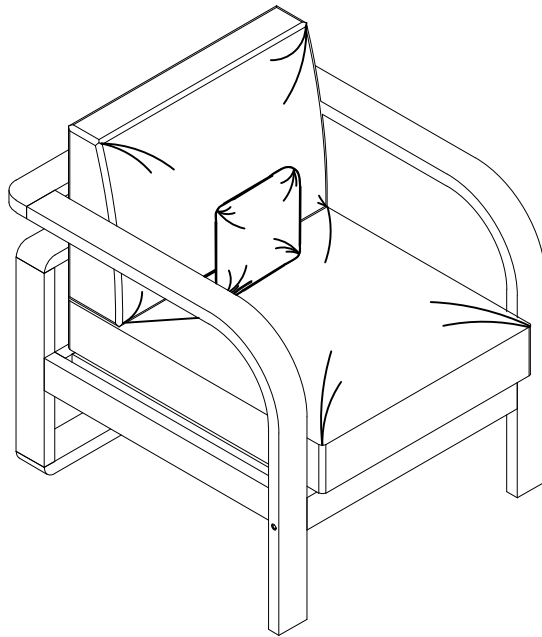
For Customer Service:

****When emailing Customer Service, please include your **Order Number** and **platform of purchase** in the email subject for quicker assistance.**

INSTRUCTION MANUAL ENCLOSED

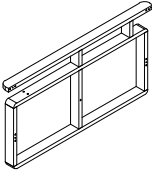
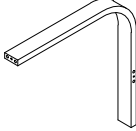
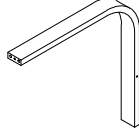
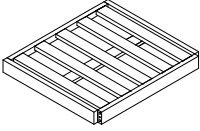
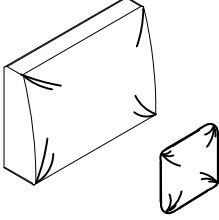
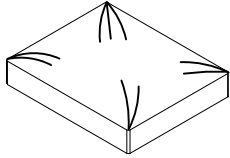
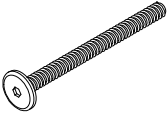

OUTDOOR CHAIR

OUTDOOR CHAIR ASSEMBLY INSTRUCTION



PARTS LIST

Parts	Description	Quantity
	PARTS	
A	Back Frame	1
B	Right Arm	1
C	Left Arm	1
D	Bottom Frame	1
E	Back Cushion & Pillow	1
F	Seat Cushion	1
	HARDWARE	
G	Bolt	6
H	Allen Key	1

<p>A</p>  <p>x1</p>	<p>B</p>  <p>x1</p>	<p>C</p>  <p>x1</p>
<p>D</p>  <p>x1</p>	<p>E</p>  <p>x1</p>	<p>F</p>  <p>x1</p>
<p>G</p>  <p>x6 Ø1/4*3 3/4"</p>	<p>H</p>  <p>x1</p>	

For Customer Service:

PLEASE READ AND FOLLOW ALL SAFETY TIPS

GETTING STARTED

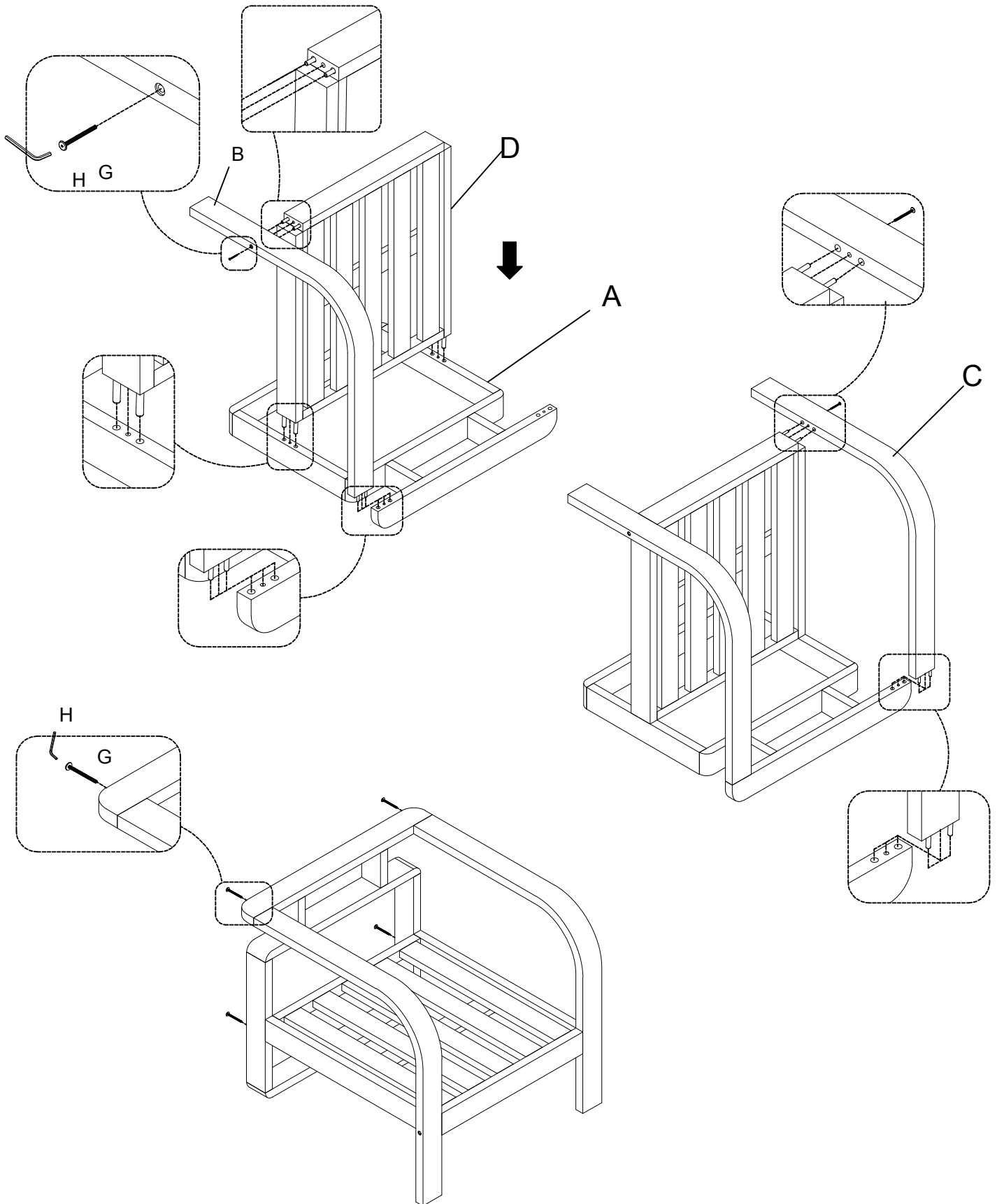
1. Before assembly, CAREFULLY use scissors or utility knife to cut and unwrap all parts. Make sure you do not discard the hardware.
2. Make sure that you have all the parts listed. If you are missing any parts, please email Customer Service. Please identify the parts you need and model number. Make sure to include your name and address.
3. Please include your **Order Number** and **platform of purchase** in the email subject, and one of our customer service representative will get back to you.

Warm Tips:

1. The plastic covers on some metal parts are just for product protection. Please remove it before assembly.
2. Please follow the sequence of A-I during assembly.
3. Do not tighten the screws until all of them are in right positions.

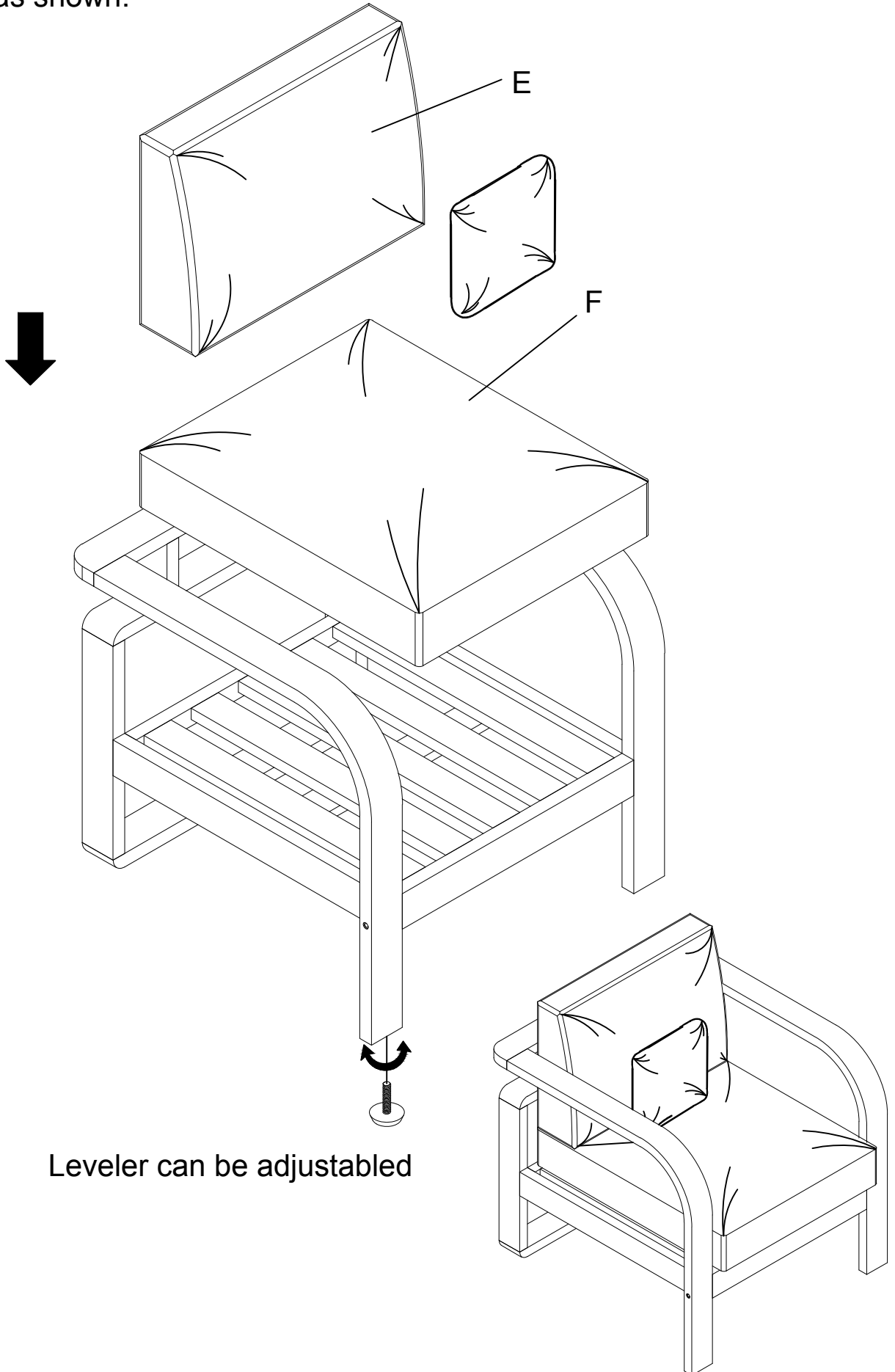
1

Position **Right Arm**(B), **Left Arm**(C) with **Bottom Frame**(D) to the back frame(A) by the pre-drilled threads. Use **Allen Key**(H) to fasten **Bolts**(G) . **Right Arm** and **Left Arm** should have 6 bolt fastened. (Photo 1)



2

Place Back Cushion & Pillow(E) and Seat Cushion(F) on the assembled chair as shown.



Leveler can be adjustable

You have completed assembling the furniture - enjoy!