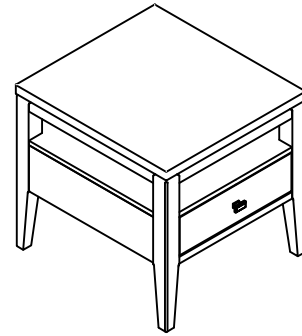


ASSEMBLY INSTRUCTIONS



273 - 915

TOOLS REQUIRED:

Allen Key (supplied, Part # D)

BEFORE YOU START:

1. Check the hardware against the hardware list to make sure all items are present.
2. Assemble your furniture on a soft, flat surface to avoid scratching the finish.
3. **CAUTION:** Do not over tighten screws, nuts or bolts during assembly.
4. Your furniture may require occasional tightening.

INSTRUCTIONS:

1. Turn Bottom Table on to a clean, soft surface. Attach legs on the Bottom Table by using Flat washer (C), Lock Washer (B), Bolt (A) with Allen Key (D). (See Figure 1).
2. Attach Bottom Table of step 1 on the Top Table by using Flat washer (C), Lock Washer (B), Bolt (A) with Allen Key (D). (See Figure 2).
3. Place the table upright, adjust the level up and down to level the table. Your table is now ready for use.

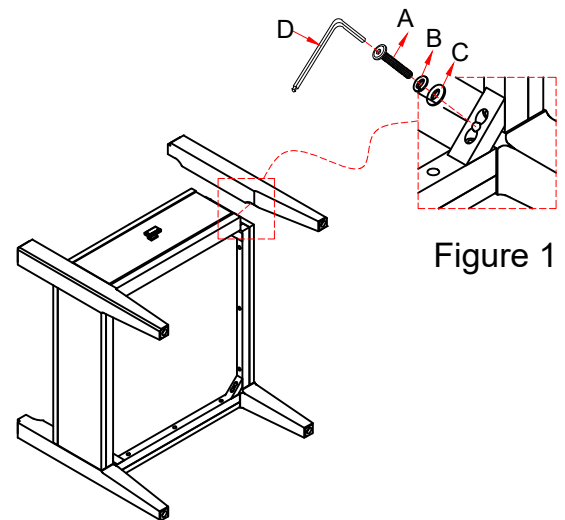


Figure 1

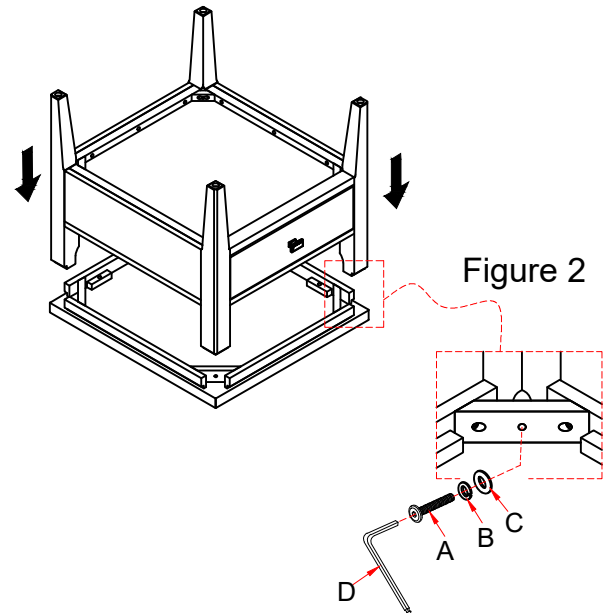






Figure 2

No.	Hardware List	Q'ty
A	 Bolt Ø1/4 x 1-3/4"	8
B	 Lock Washer Ø1/4"	8
C	 Flat Washer Ø1/4"	8
D	 Allen Key (100*50*4mm)	1