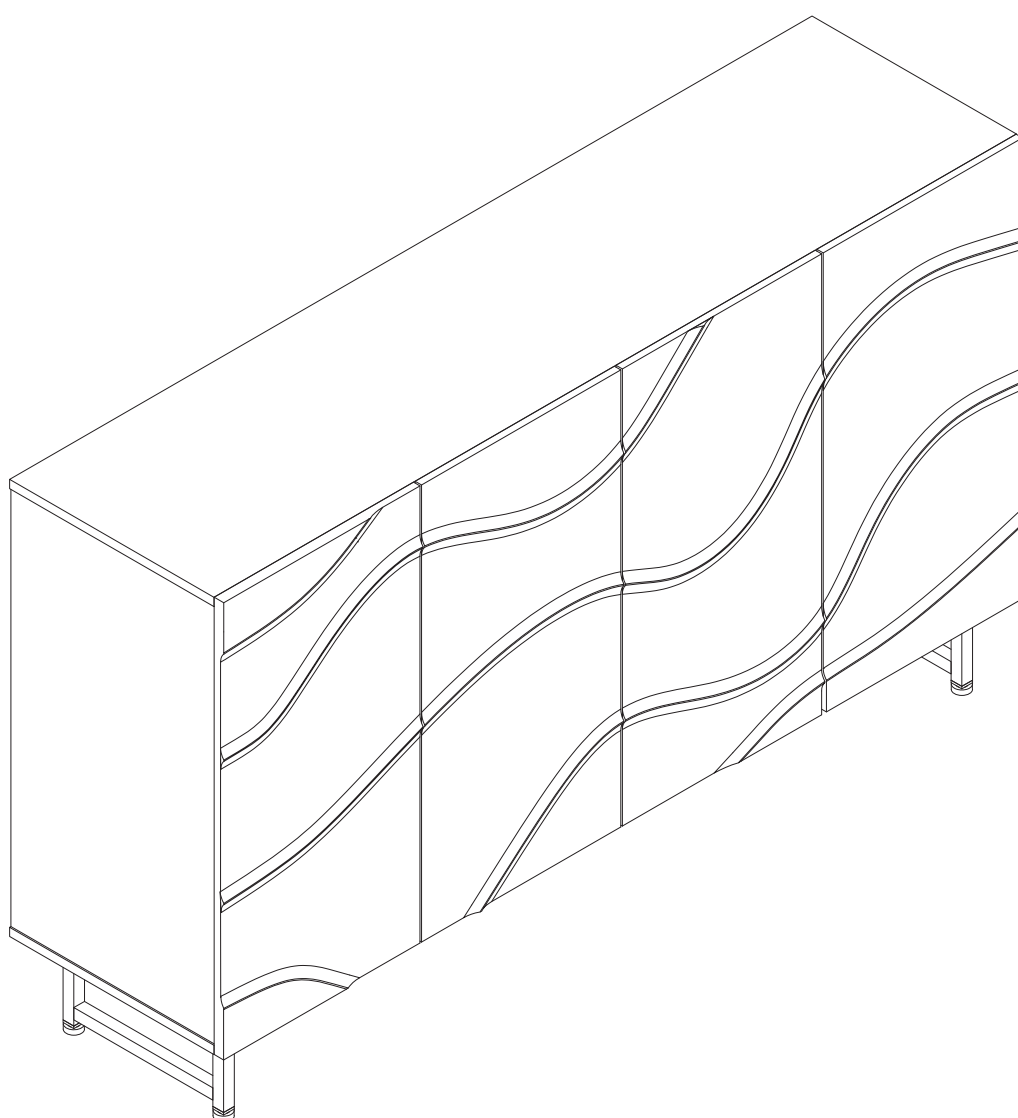


**Assembly Instructions - Please keep for future reference**



**Important – Please read these instructions fully before starting assembly**



# Safety and Care Advice

**Important – Please read these instructions fully before starting assembly**

- Check you have all the components and tools listed on the following pages.
- Remove all fittings from the plastic bags and separate them into their groups.
- Keep children and animals away from the work area, small parts could choke if swallowed.
- Make sure you have enough space to layout the parts before starting.

- During assembly do not stand or put weight on the product, this could cause damage.
- Assemble the item as close to its final position (in the same room) as possible.
- Assemble on a soft level surface to avoid damaging the unit or your floor.
- Parts of the assembly will be easier with 2 people.



power drill is set on a low torque setting.

- To reduce the likelihood of damaging your product please ensure that your

## Care and maintenance

• Only clean using a damp cloth and mild detergent, do not use bleach or abrasive cleaners.

• From time to time check that there are no loose screws on this unit.

• This product should not be discarded with household waste. Take to your local authority waste disposal centre.

## Handy Hints

• Assemble all parts and bolts loosely during assembly, only once the product is complete should you fully tighten the bolts

• Regularly check and ensure That all bolts and fittings are tightened properly.

## **WARNING** In order to help prevent overturning – please follow these instructions

To help prevent product toppling over please follow the below steps:-

- Use the anti tip stap or wall fixing method provided (if applicable)
- Do not allow children to climb or hang on the furniture
- Do not open more than one drawer at a time
- Do not place heavy items in the top drawers
- Do not place heavy items on top of the furniture, unless the furniture has been designed for this purpose

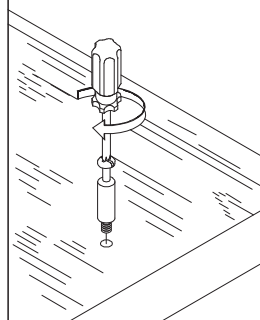
# Using Camlocks

## Step 1

Connect the male camlock as directed in the assembly instructions using a screwdriver.

1

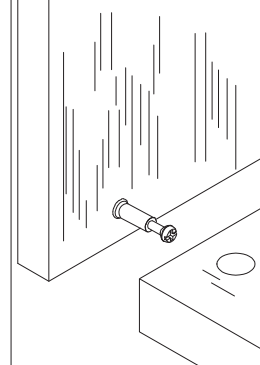
DO NOT OVER TIGHTEN.  
NE PAS SERRER EXCESSIVEMENT.



## Step 2

Push the male camlock into the entry hole.

2

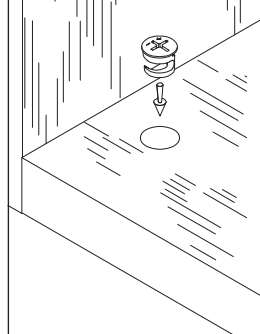


## Step 3

Insert the female camlock as shown in the instruction.

Note: ensure that the arrow on the top of the camlock points towards the entry hole for the male camlock.

3



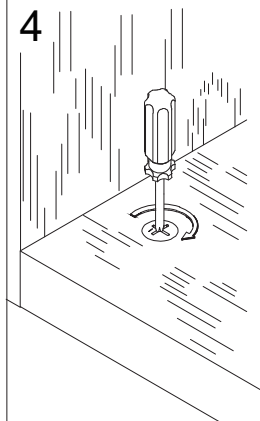
## Step 4

Turn the female camlock clockwise with a screwdriver.

You should feel a click when the camlock is locked in place.

The joint is now secure.

4



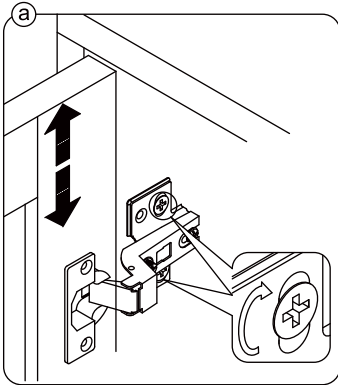
**EN** It may be necessary to adjust the hinges so that the doors align. Use the instructions below as a guide.

**FR** Il est parfois nécessaire d'ajuster les charnières pour un meilleur alignement des portes. Servez-vous des instructions ci-dessous comme guide.

**ES** Puede que sea necesario ajustar los quicios de forma que se alineen las puertas. Use las instrucciones que aparecen debajo como guía.

**DE** Möglicherweise müssen Sie die Scharniere so einstellen, dass die Türen ausgerichtet sind. Verwenden Sie die nachstehenden Anweisungen als Leitfaden.

**IT** Potrebbe essere necessario regolare le cerniere in modo che le porte siano allineate. Per fare ciò attenersi alle istruzioni sottostanti.



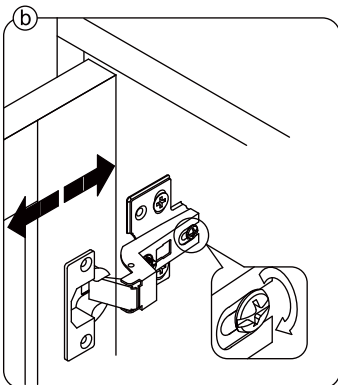
**EN** To adjust the door vertically loosen the screw as shown and move up and down as needed.

**FR** Si vous souhaitez régler la porte **verticalement**, desserrez la vis comme indiqué et déplacez la porte de haut en bas selon les besoins.

**ES** Para ajustar la puerta **verticalmente** afloje el tornillo tal y como se muestra y muévelo hacia arriba o hacia abajo según sea necesario.

**DE** Um die Tür **vertikal** auszurichten, lösen Sie die Schraube wie abgebildet und bewegen Sie sie nach Bedarf nach oben oder nach unten.

**IT** Per allineare la porta **verticalmente** allentare la vite come mostrato e spostarla in alto o in basso secondo necessità.



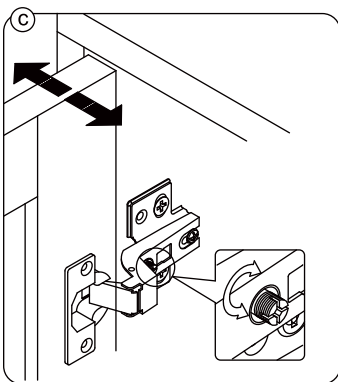
**EN** To adjust the gap from the door to the main frame turn the screw clockwise or anti-clockwise as needed.

**FR** Si vous souhaitez ajuster l'**écart** entre la porte et le cadre principal, tournez la vis dans le sens des aiguilles d'une montre ou dans le sens inverse, si nécessaire.

**ES** Para ajustar el **espacio** desde la puerta al marco principal, gire el tornillo en sentido horario o antihorario, según se necesite.

**DE** Um den **Abstand** von der Tür zum Hauptrahmen auszurichten, drehen Sie die Schraube je nach Bedarf im oder gegen den Uhrzeigersinn.

**IT** Per regolare lo **spazio** tra la porta e il telaio principale, avvitare o svitare la vite secondo necessità.



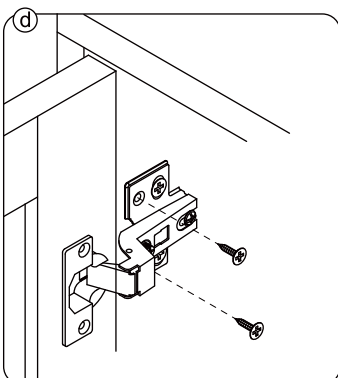
**EN** To adjust the door laterally adjust the screw as shown by turning clockwise or anti-clockwise.

**FR** Si vous souhaitez ajuster la porte **latéralement**, ajustez la vis comme indiqué en tournant dans le sens des aiguilles d'une montre ou dans le sens inverse des aiguilles d'une montre.

**ES** Para ajustar la puerta **lateralmente** ajuste el tornillo tal y como se muestra girándolo en sentido horario y antihorario.

**DE** Um die Tür **seitlich** auszurichten, stellen Sie bitte die Schraube wie abgebildet durch Drehen im oder gegen den Uhrzeigersinn ein.

**IT** Per allineare la porta **lateralmente** regolare la vite come mostrato, avvitarandola o svitarandola.



**EN** Please fix other screws

**FR** Merci de serrer les autres vis.

**ES** Fije los demás tornillos







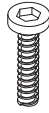
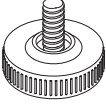

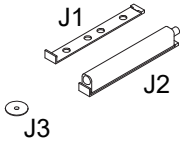


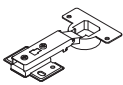
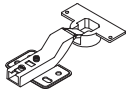
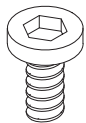

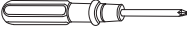
**DE** Befestigen Sie bitte die anderen Schrauben

**IT** Fissare le altre viti

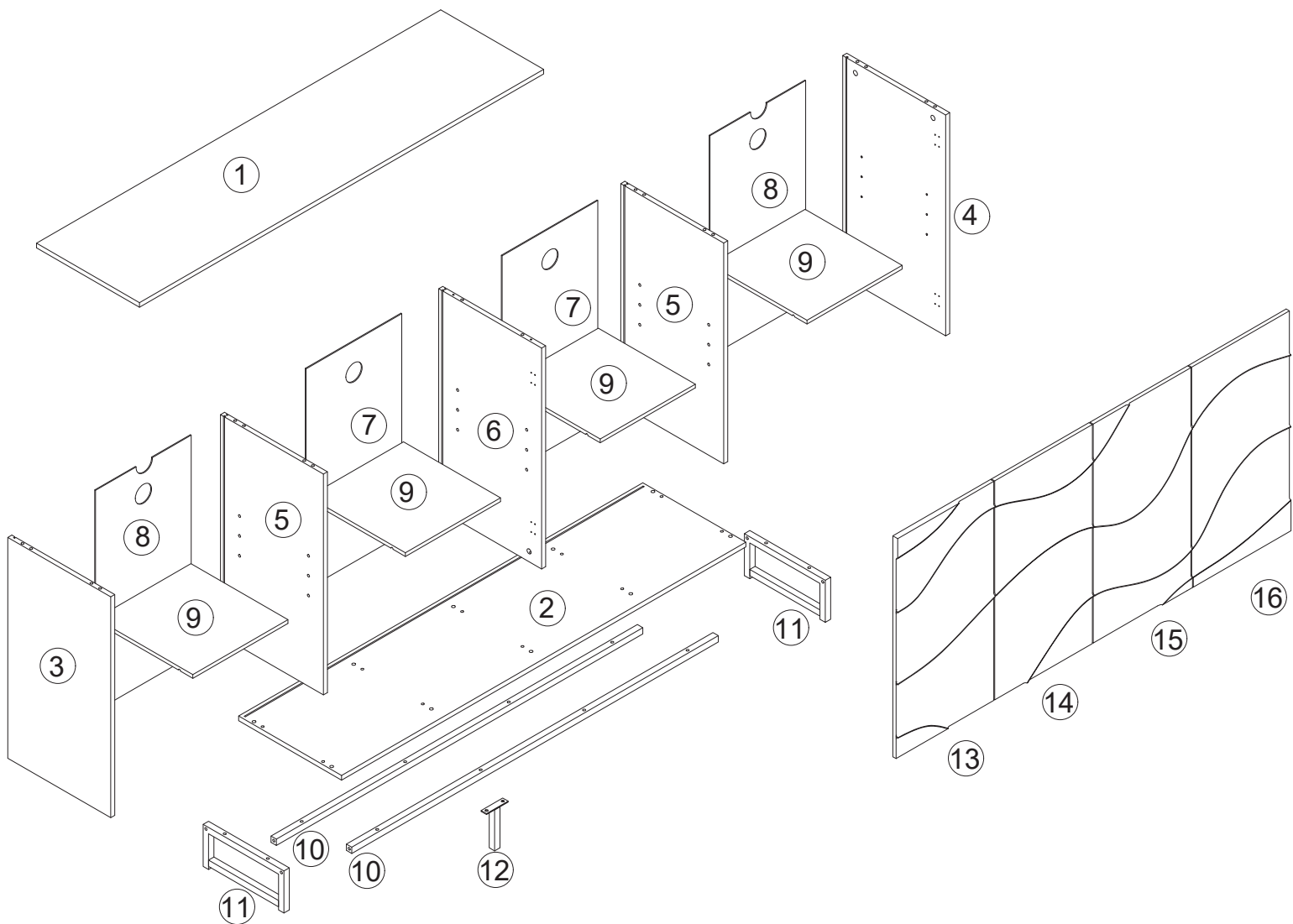
# Components - Fittings

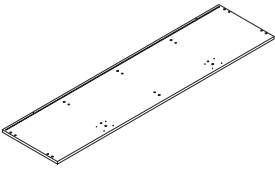
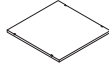
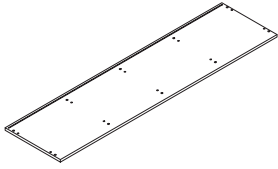
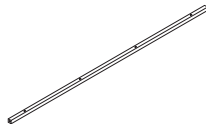
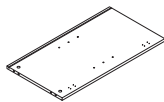
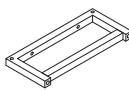

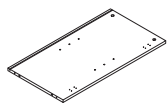

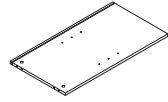
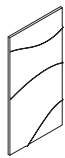
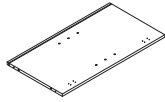

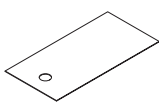
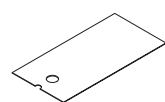
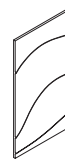
Please check you have all the panels listed below

Note: The quantities below are the correct amount to complete the assembly. In some cases, more fittings may be supplied than required.

<p><b>(A)</b></p>  <p>Cam Bolt x10</p>	<p><b>(B)</b></p>  <p>12 Cam lock x10</p>	<p><b>(C)</b></p>  <p>M3.5*12mm Screw x78</p>	<p><b>(D)</b></p>  <p>M6*40mm Screw x10</p>
<p><b>(E)</b></p>  <p>x16</p>	<p><b>(F)</b></p>  <p>x16</p>	<p><b>(G)</b></p>  <p>M6*28mm Screw x16</p>	<p><b>(H)</b></p>  <p>M6 x5</p>
<p><b>(I)</b></p>  <p>8 Dowel x20</p>	<p><b>(J)</b></p>  <p>x4</p>	<p><b>(K)</b></p>  <p>x4</p>	<p><b>(M)</b></p>  <p>x2</p>
<p><b>(N)</b></p>  <p>x4</p>	<p><b>(O)</b></p>  <p>x4</p>	<p><b>(P)</b></p>  <p>M6*10mm Screw x2</p>	
			

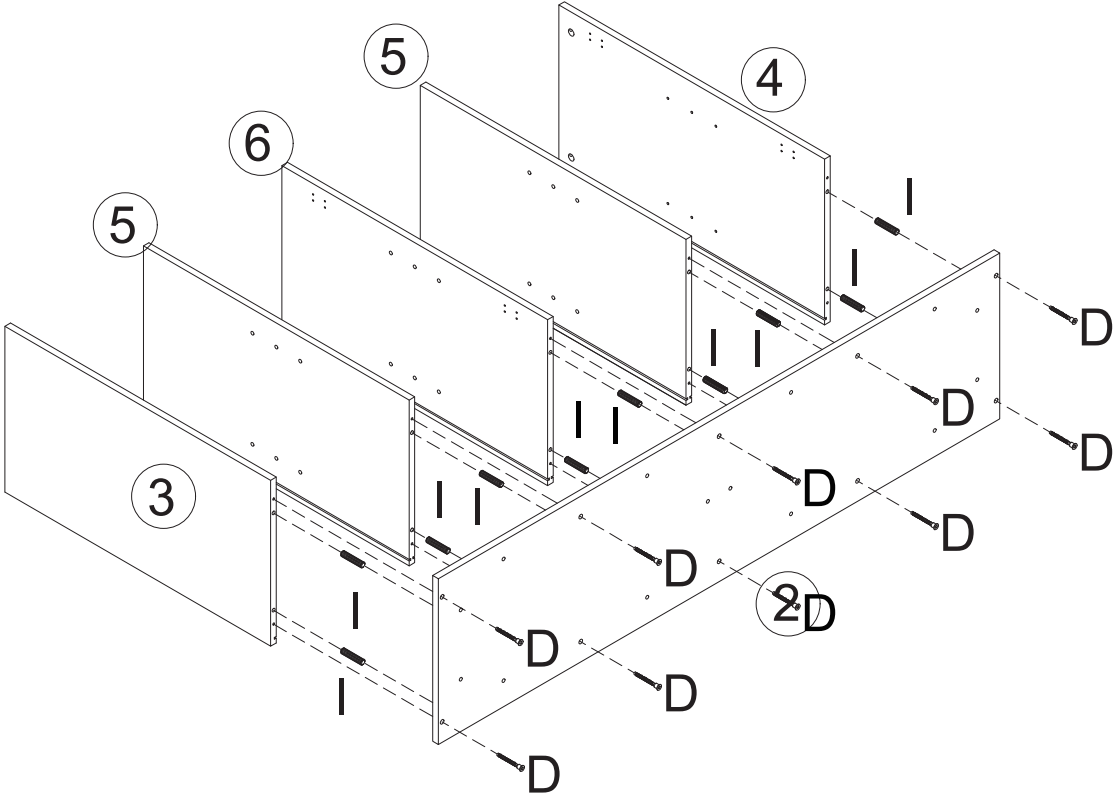
# Assembly Instructions

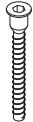



<p>①</p>  <p>1</p>	<p>⑨</p>  <p>4</p>	
<p>②</p>  <p>1</p>	<p>⑩</p>  <p>2</p>	
<p>③</p>  <p>1</p>	<p>⑪</p>  <p>2</p>	<p>⑫</p>  <p>1</p>
<p>④</p>  <p>1</p>	<p>⑬</p>  <p>1</p>	
<p>⑤</p>  <p>2</p>	<p>⑭</p>  <p>1</p>	
<p>⑥</p>  <p>1</p>	<p>⑮</p>  <p>1</p>	
<p>⑦</p>  <p>2</p>	<p>⑧</p>  <p>2</p>	<p>⑯</p>  <p>1</p>

# Assembly Instructions

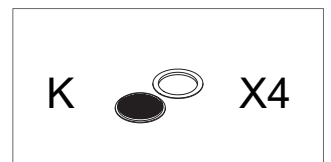
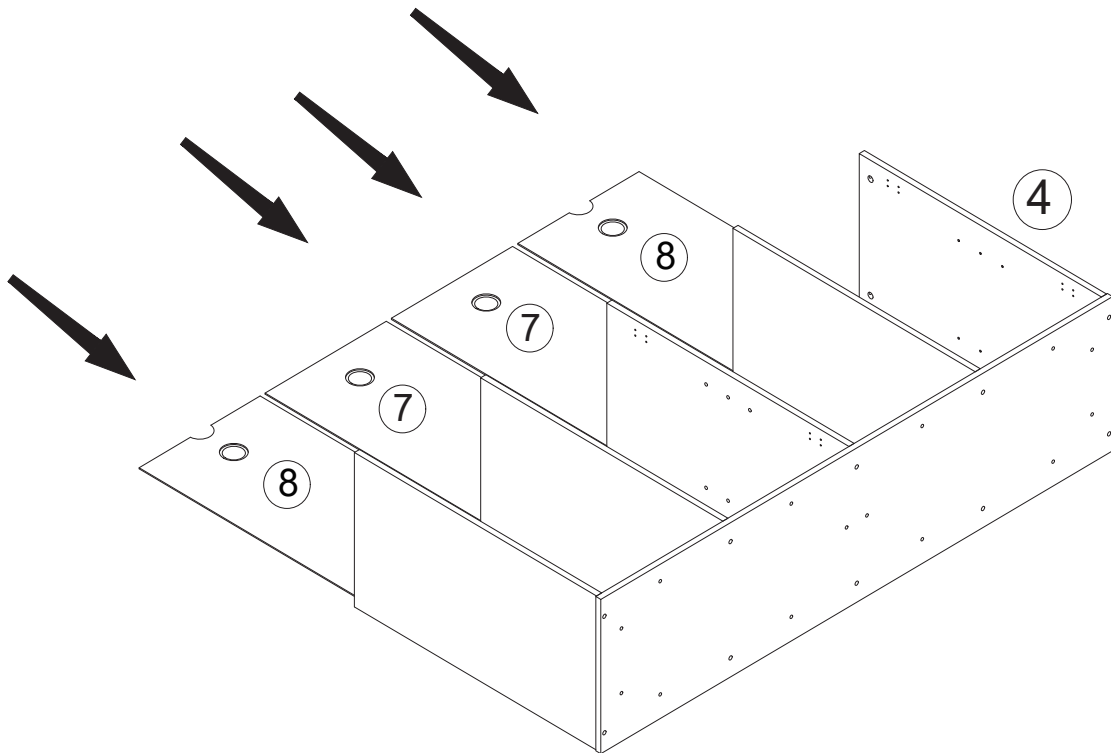
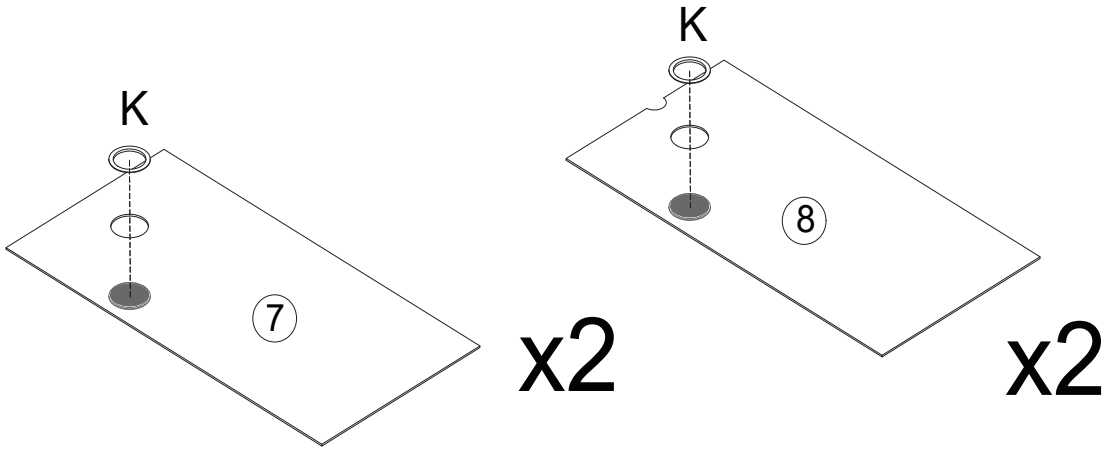
## Step 1



D		X10
I		X10

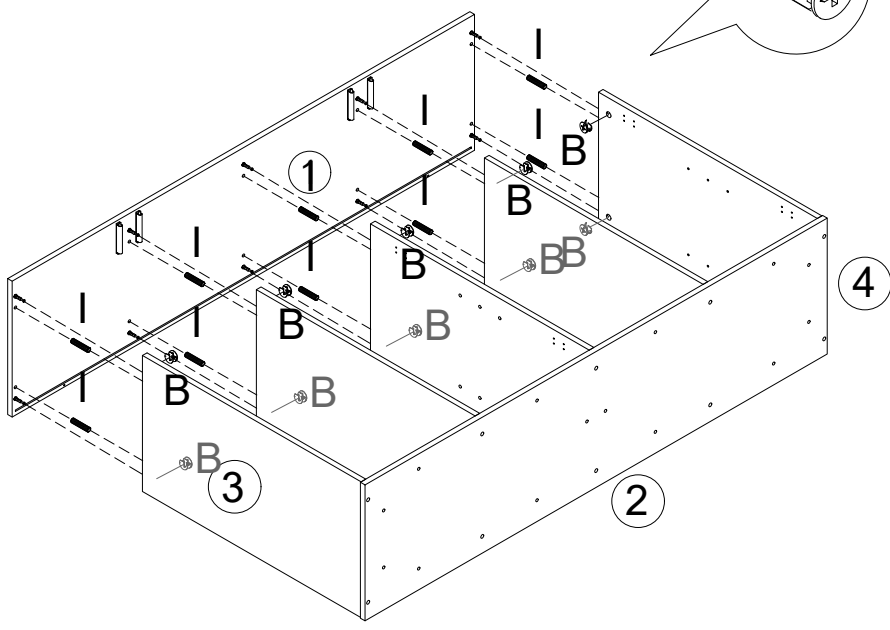
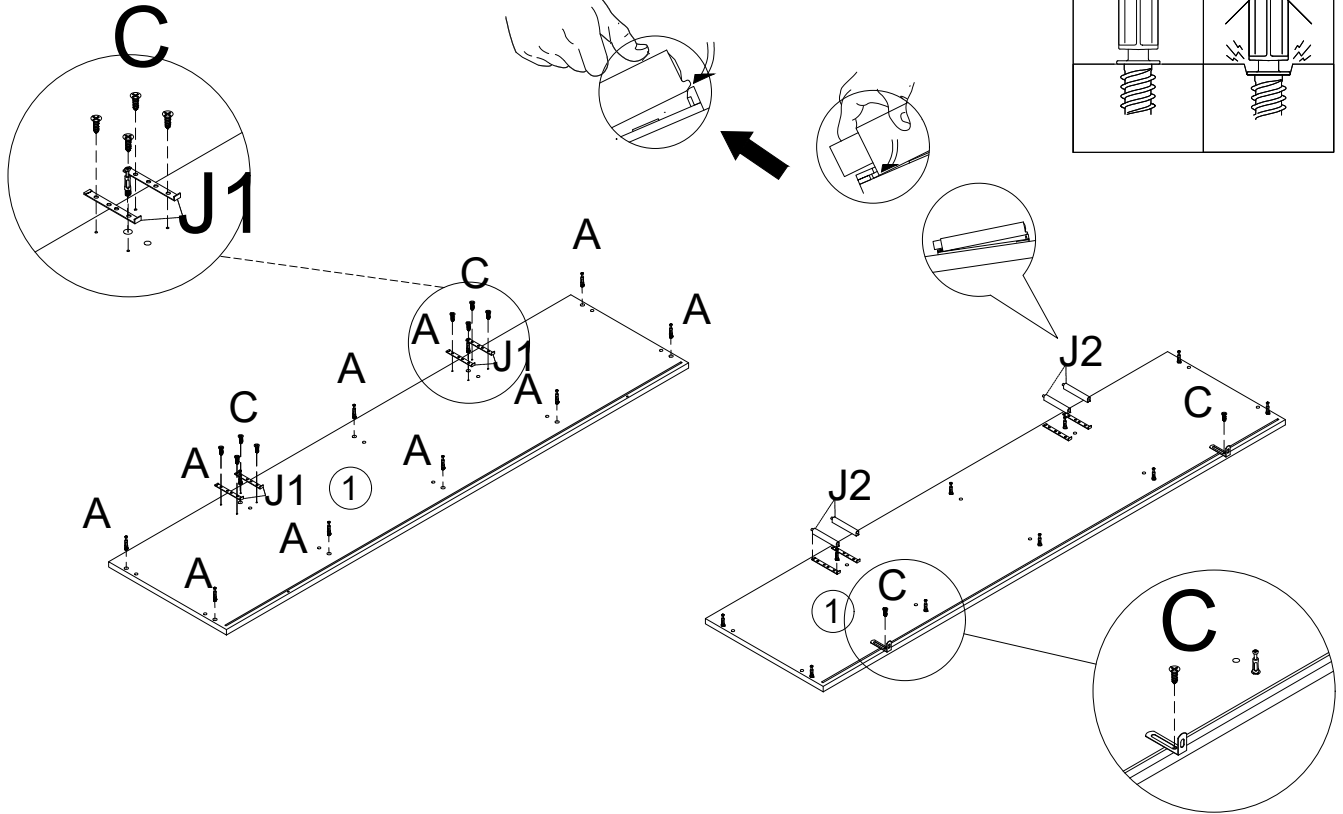
# Assembly Instructions

## Step 2



# Assembly Instructions

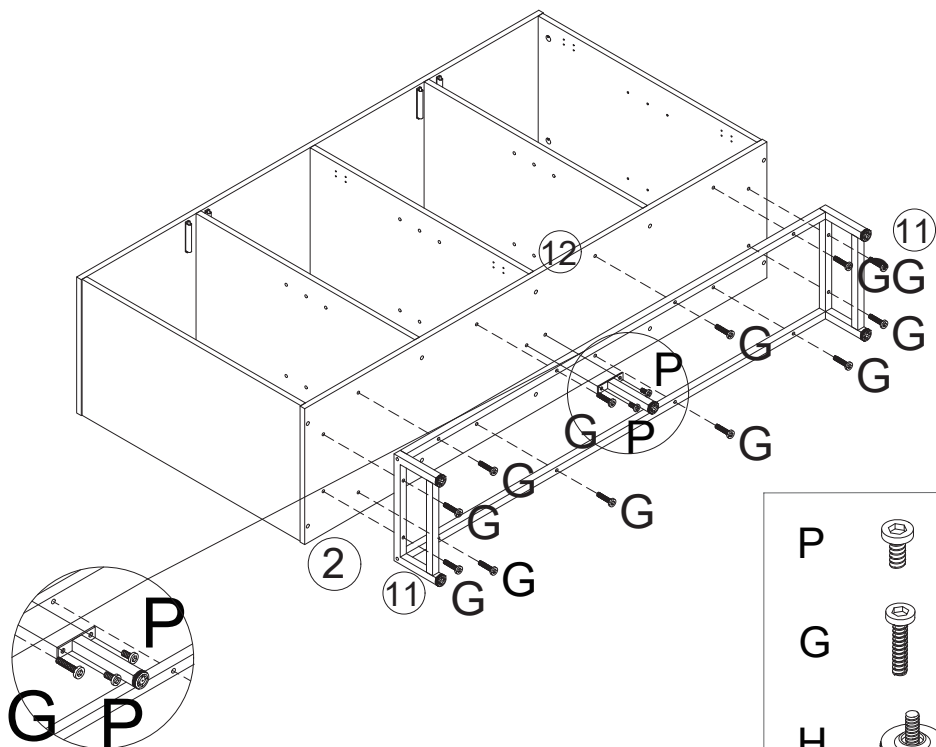
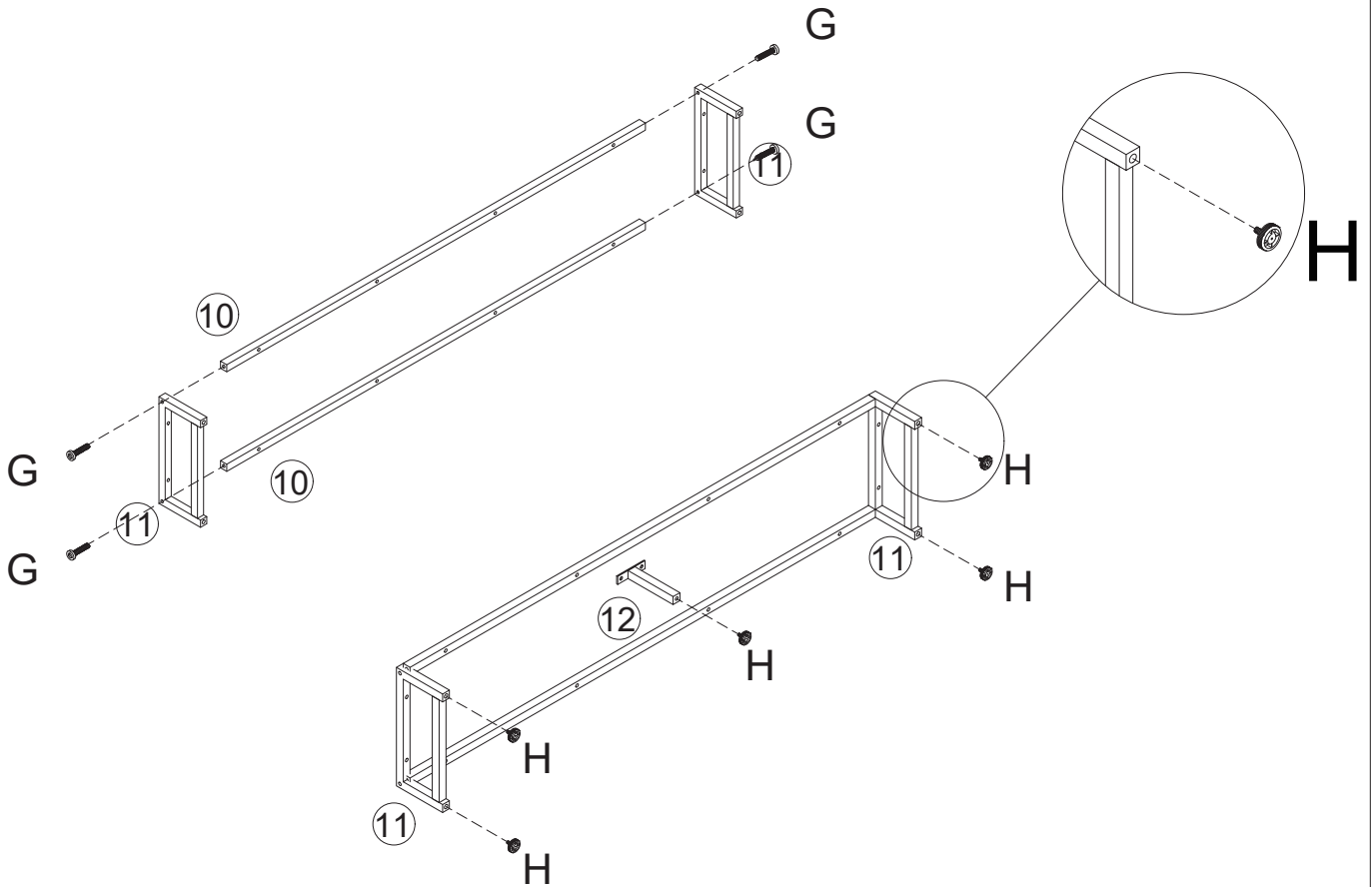
## Step 3



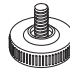


A		X10
B		X10
C		X10
I		X10
J		X4
M		X2

# Assembly Instructions

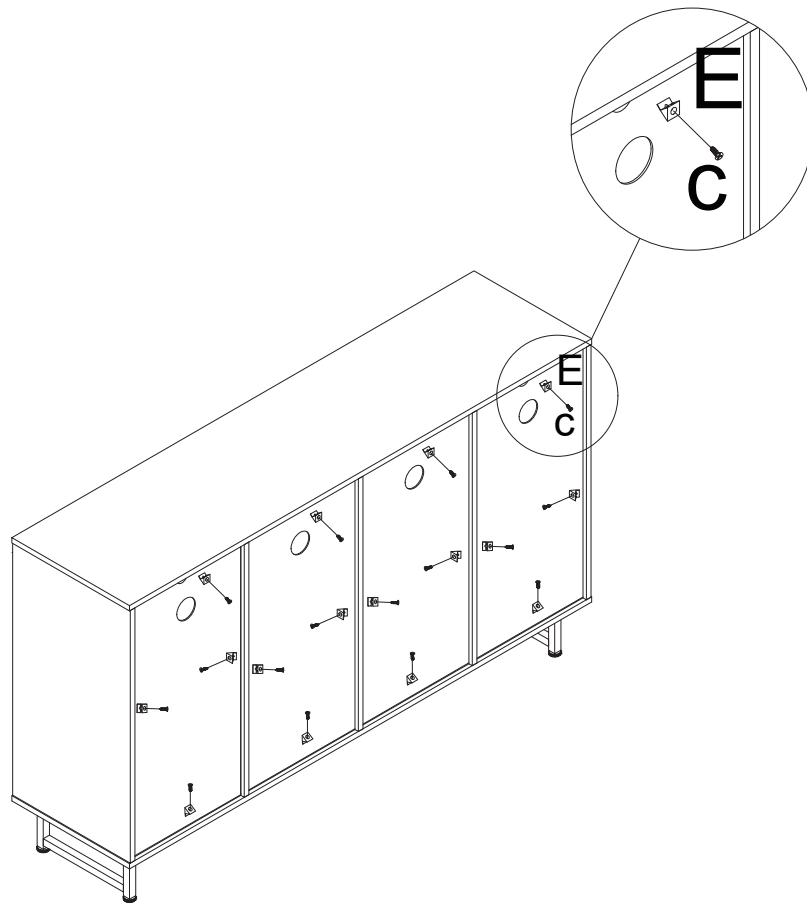
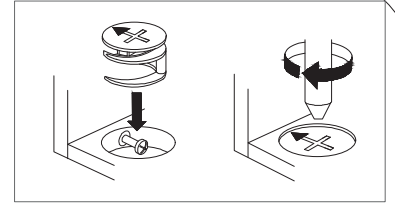
## Step 4





P		X2
G		X16
H		X5

# Assembly Instructions

## Step 5

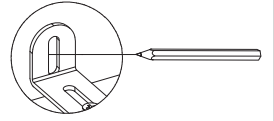


E		X16
C		X16

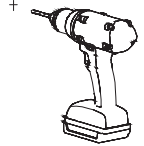
# Assembly Instructions

## Step 6

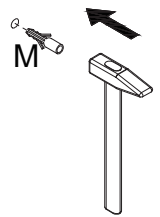
1.



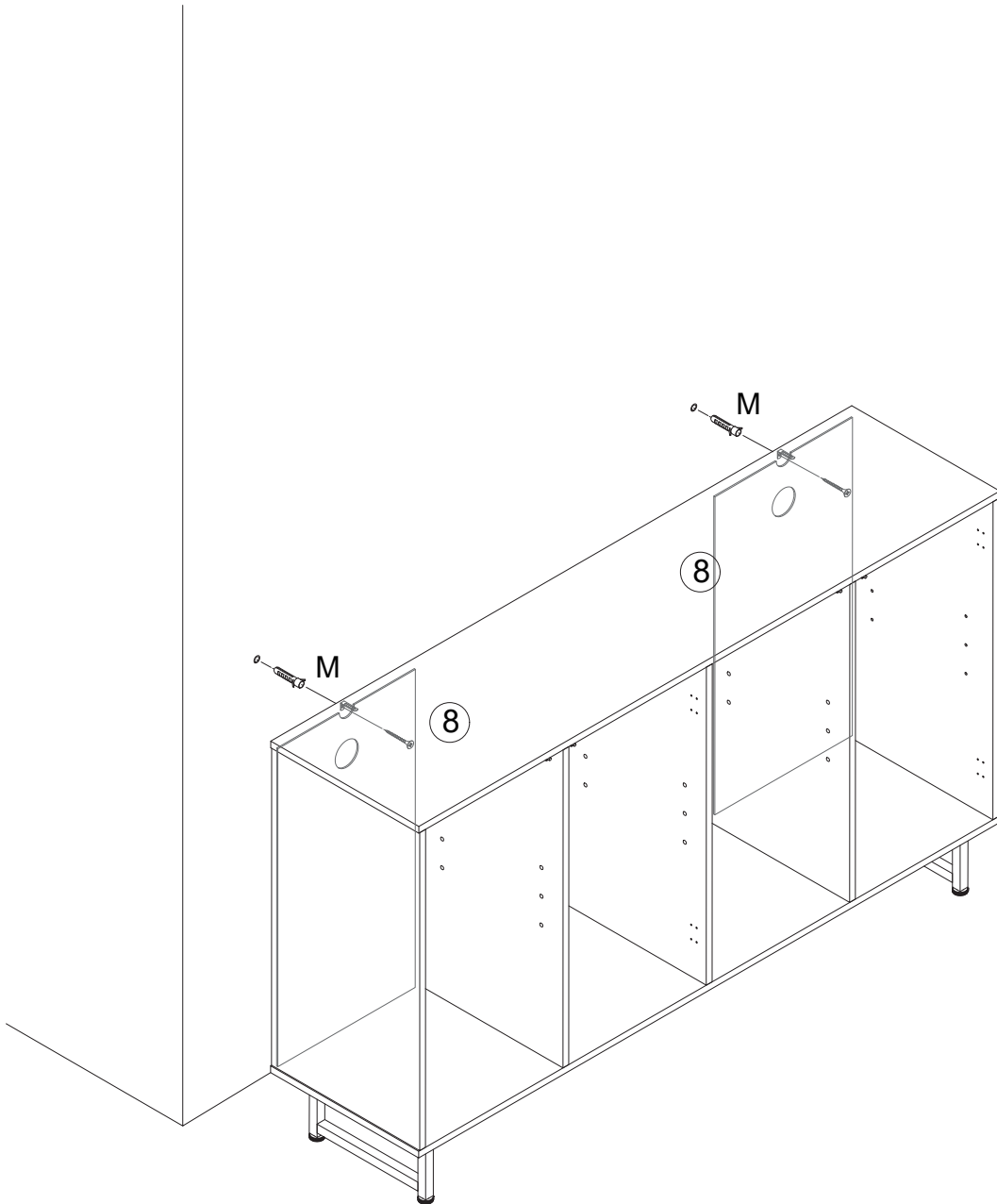
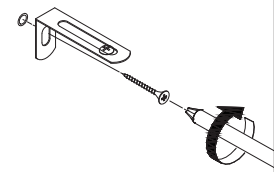
2.



3.



4.



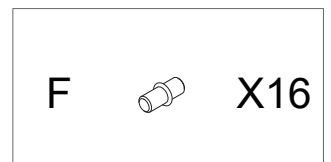
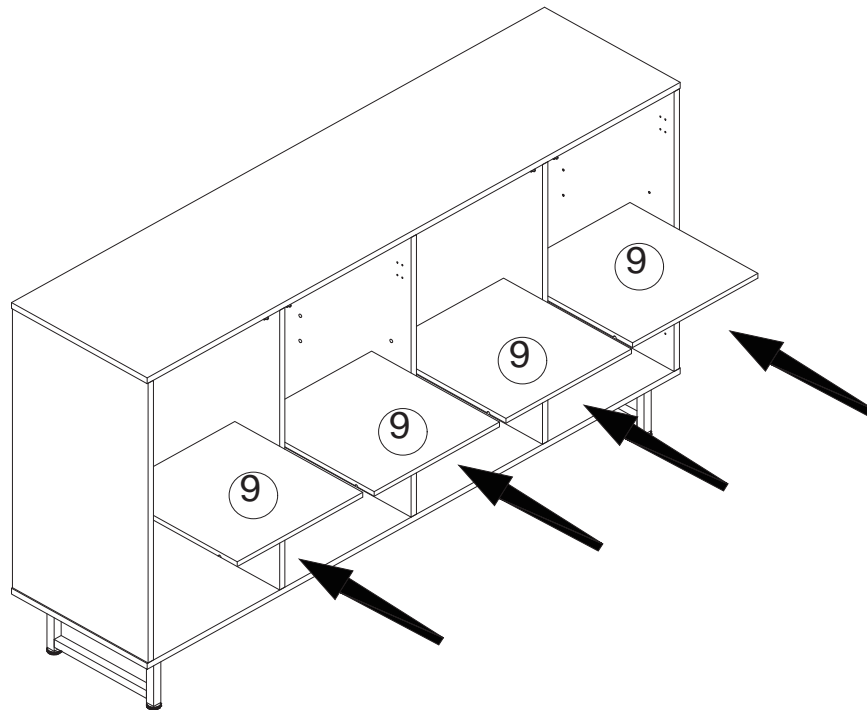
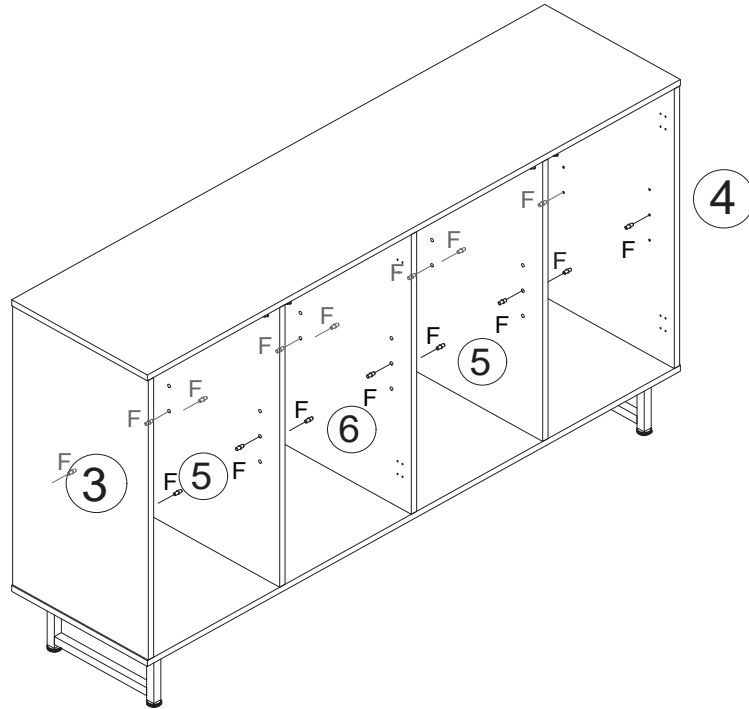
M



X2

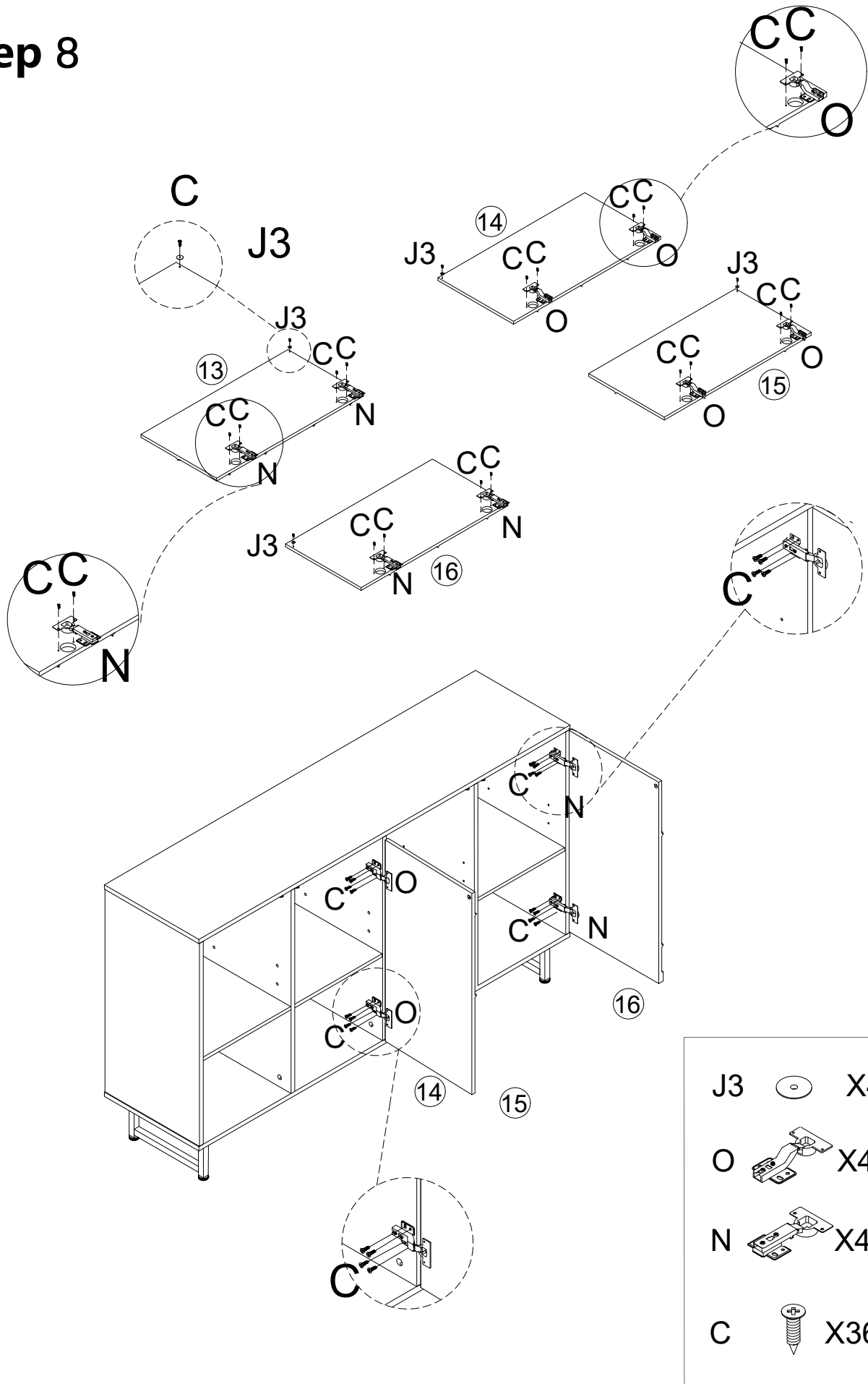
# Assembly Instructions

## Step 7



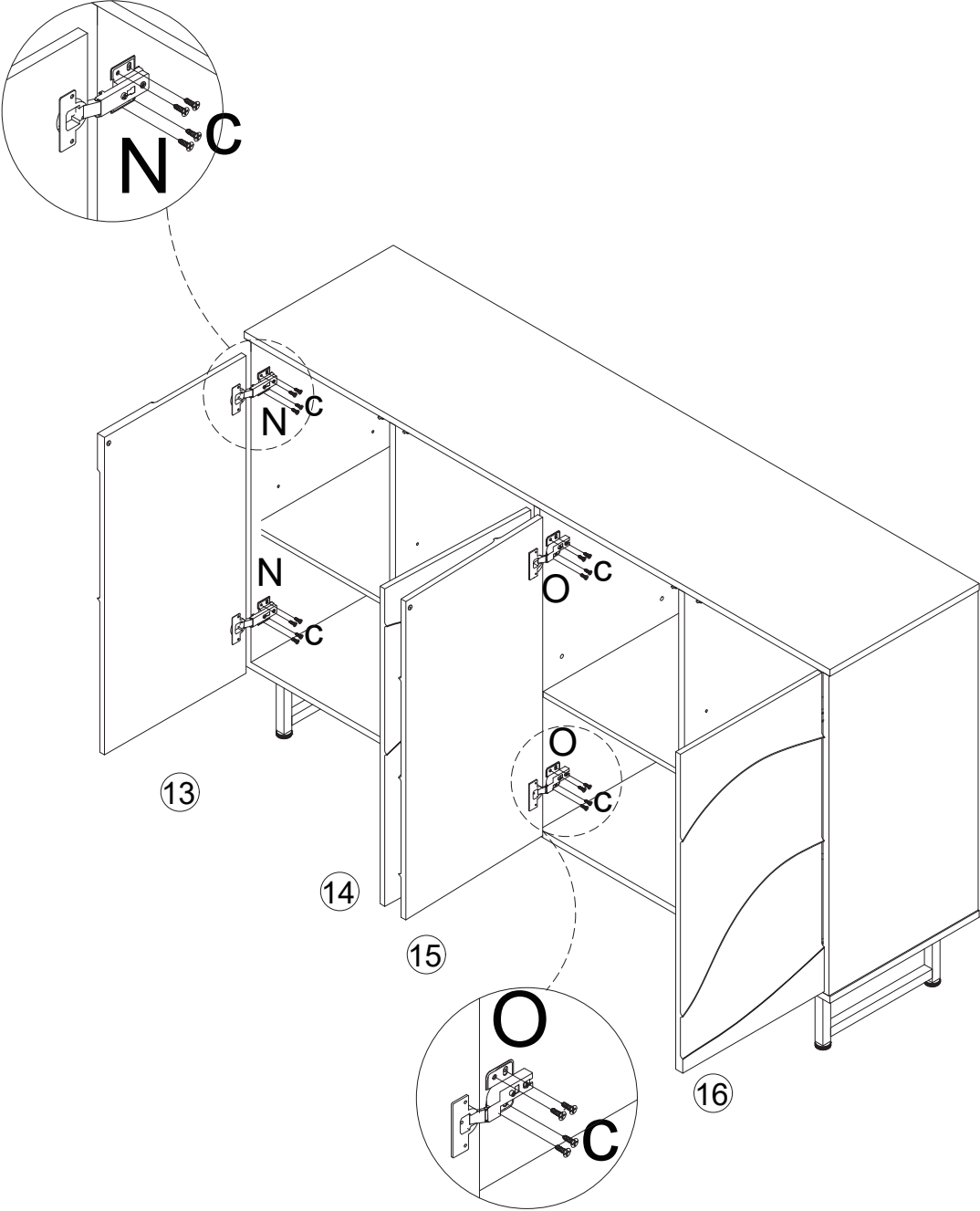
# Assembly Instructions


## Step 8



# Assembly Instructions

## Step 9



C		X16
---	---	-----

# Assembly Instructions

## Step 10

