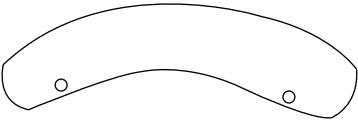
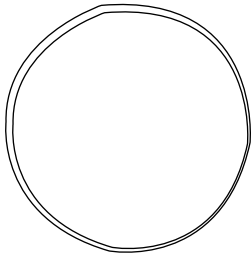
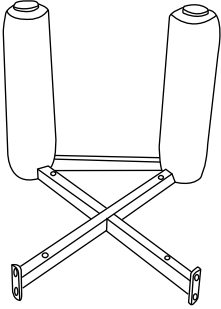
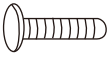
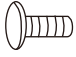
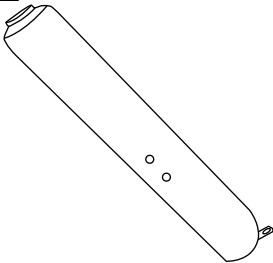


ASSEMBLY INSTRUCTION

Ax1 	Bx1 	Cx1 	
Dx4  M6x5cm	Ex6  M8x2cm	Fx2 	Gx1 