

THANK YOU FOR PURCHASING OUR PRODUCTS!

This furniture is designed for indoor application. Please read this booklet carefully and use all the items correctly as described. And please kindly note that the warranty does not apply to any product that has been improperly used.

After unboxing and before assembly, please check whether there are any parts damaged. If yes, please contact our customer service team. Meanwhile, please check whether you have all the parts and hardware listed. If there is any missing item, also please contact us immediately.

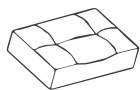
Before Assembly

- Remove all wrapping materials, staples and packing straps.
- Read the Parts List and Hardware List carefully, make sure all parts and hardware are intact.
- Place all parts on a clean and smooth surface, such as a rug or carpet, to prevent the parts from being scratched.
- Do not cross-thread screws.
- Do not use electric tools.



Make sure all bolts and screws are fully tightened before using chair.

Components



A: 3 PCS

Seat



B: 12 PCS

Stool Leg



C: 6 PCS

Stool Long Stretcher



D: 6 PCS

Stool Short Stretcher



E: 1 PC

Tabletop



F: 2 PCS

Table Leg1



G: 2 PCS

Table Leg2



H: 1 PC

Table Center



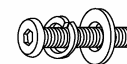
I: 1 PC

Table Side



J: 1 PC

Table Side Stretcher2



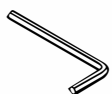
K: 24 PCS

1/4"x50mm Bolt



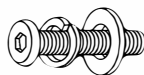
L: 24 PCS

M4x45mm Screw



M: 1 PC

1/4" Allen Key



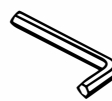
N: 8 PCS

5/16"x64mm Bolt



O: 6 PCS

M4x50mm Screw



P: 1 PC

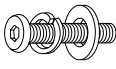
5/16" Allen Key




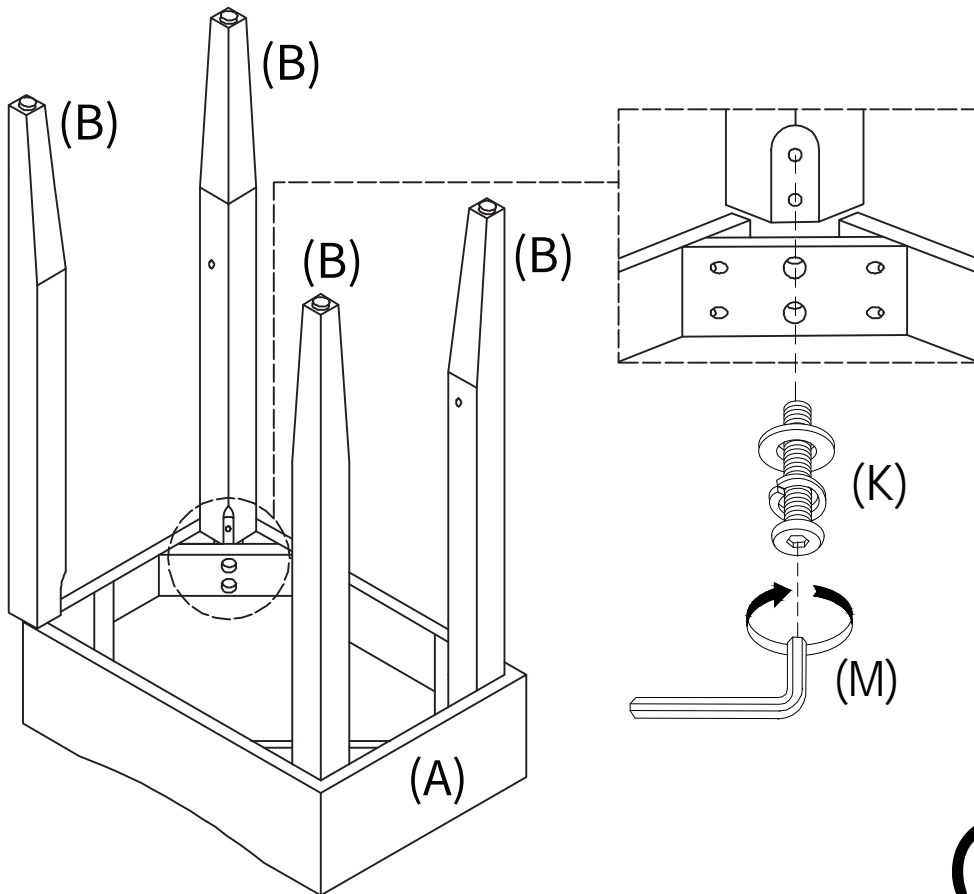
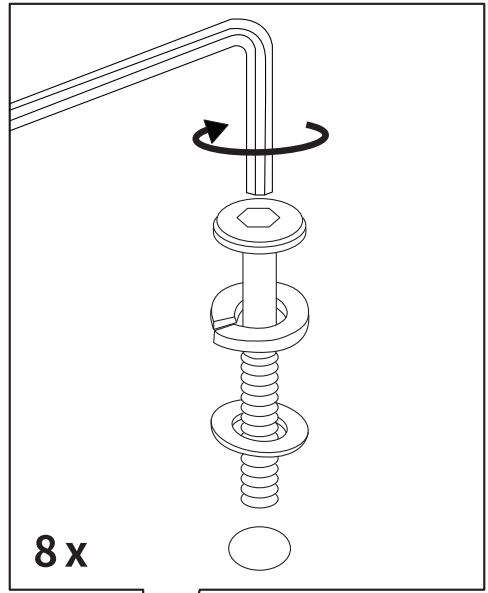
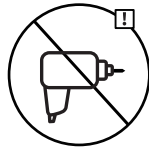
Q: 1 PC

Screw Driver (Not Provided)

1


K  1/4"x 50mm (**8 PCS**)

M  1/4" (**1 PC**)

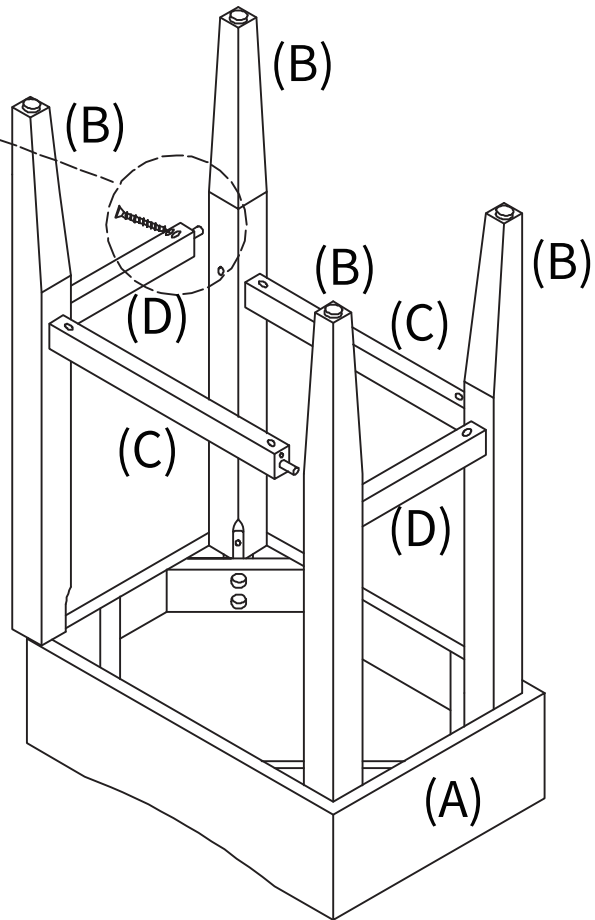
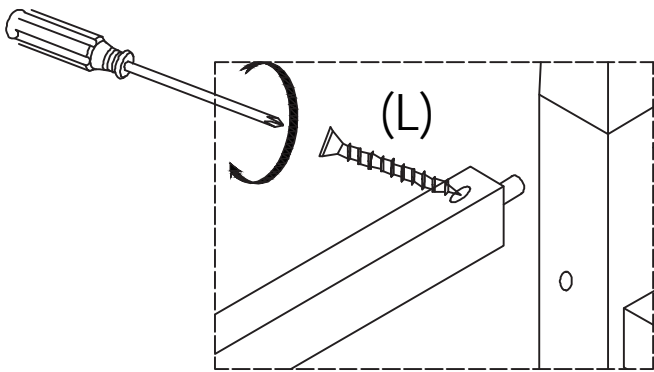
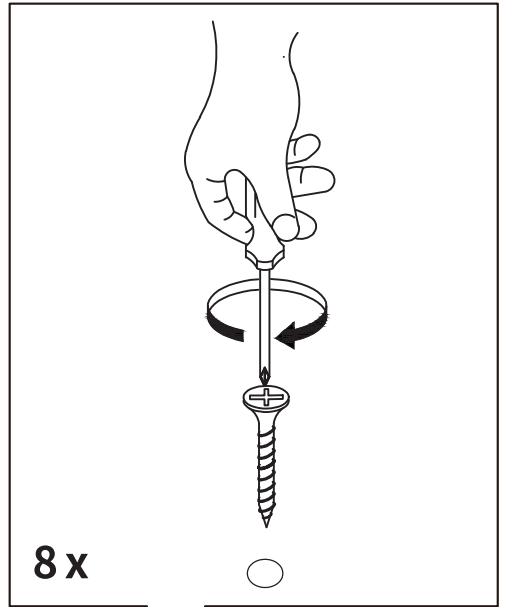
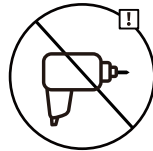


Do not tighten
the screws

2

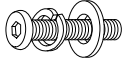
L  M4 x 45mm (8 PCS)

Q  (Not Provided)

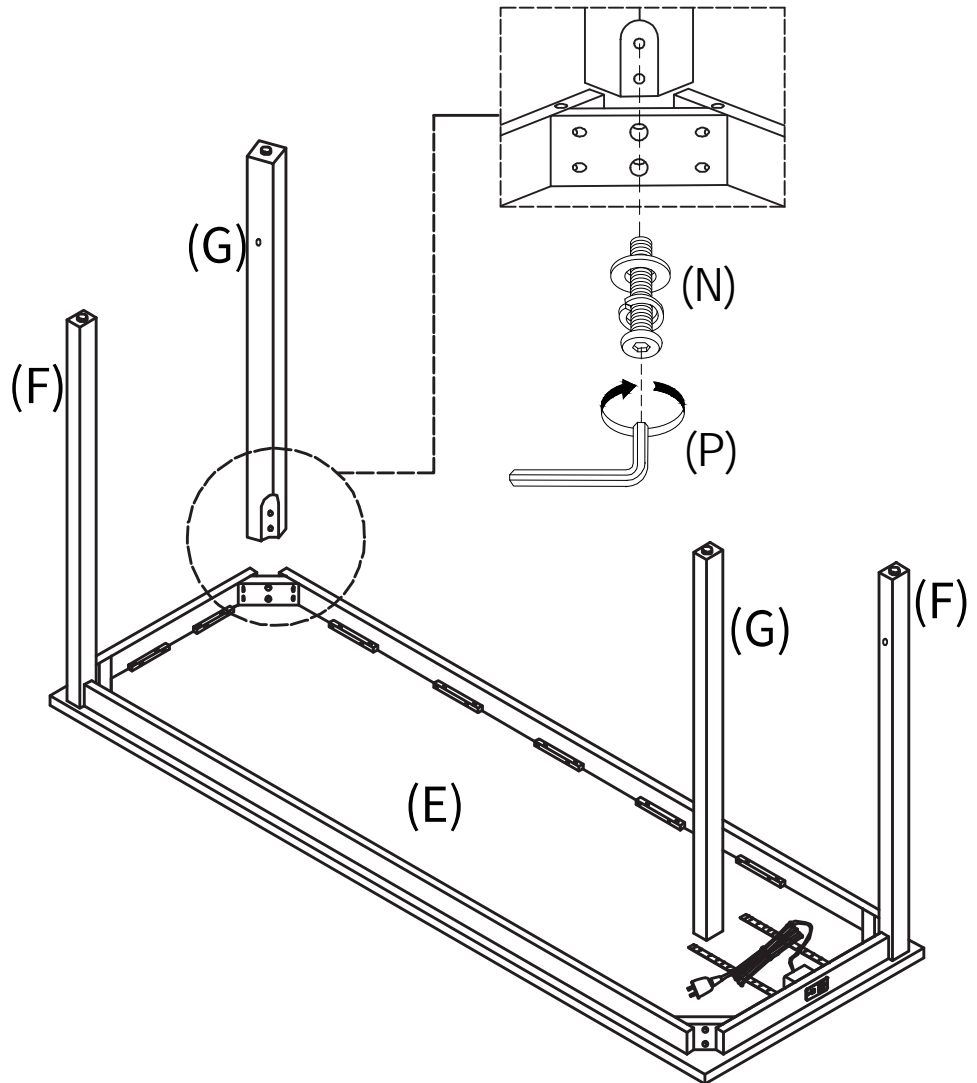
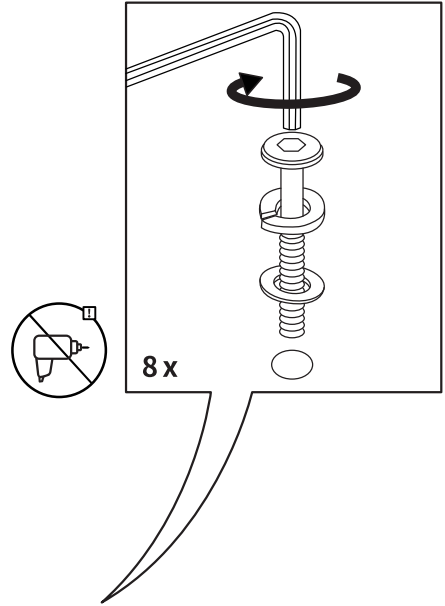


Tighten all screws

3


N  5/16"x 64mm (**8 PCS**)

P  5/16" (**1 PC**)

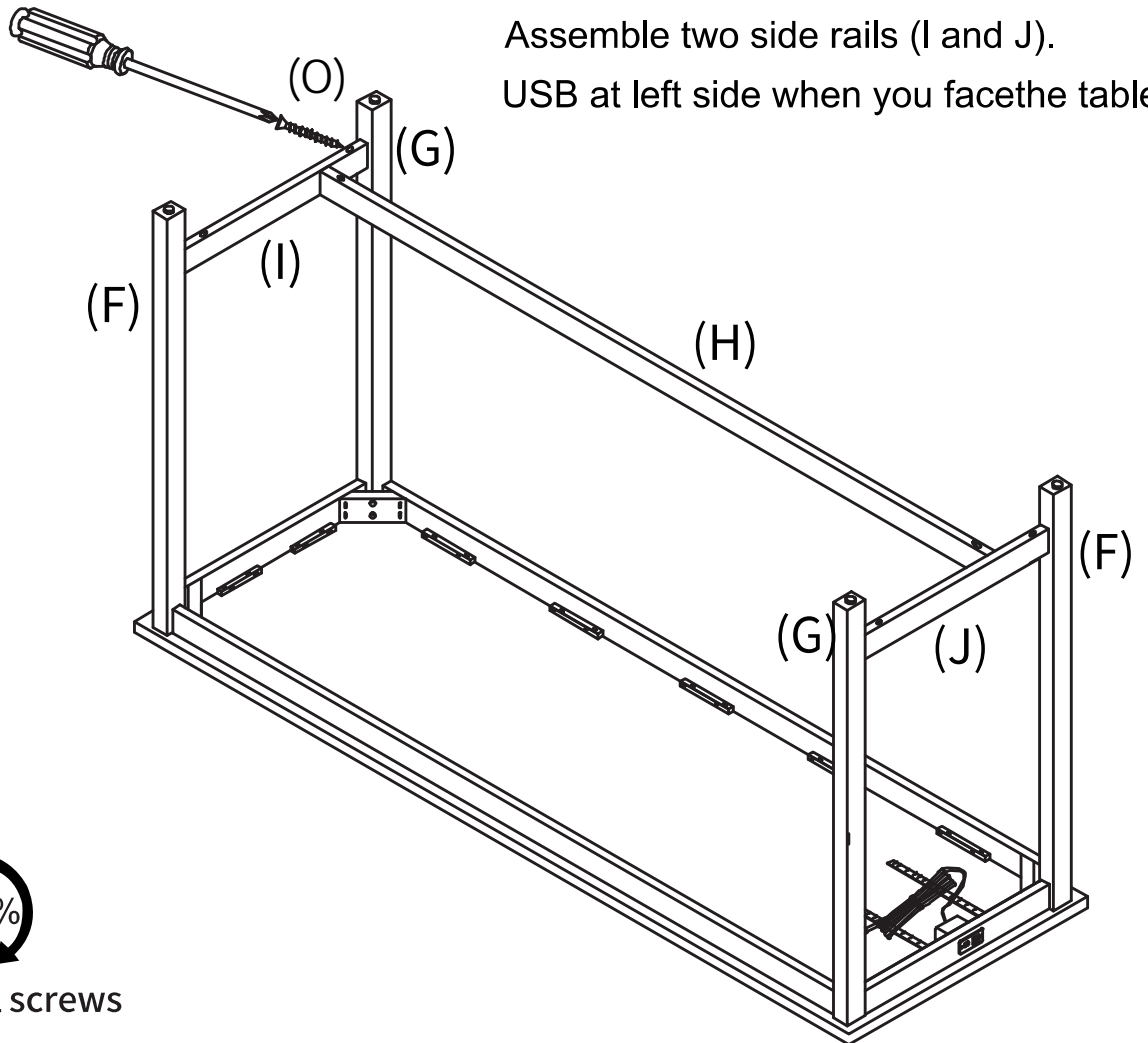
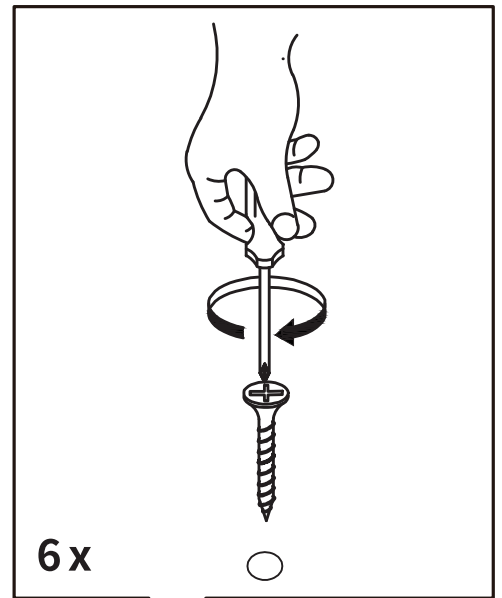
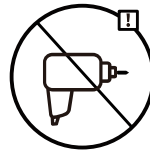
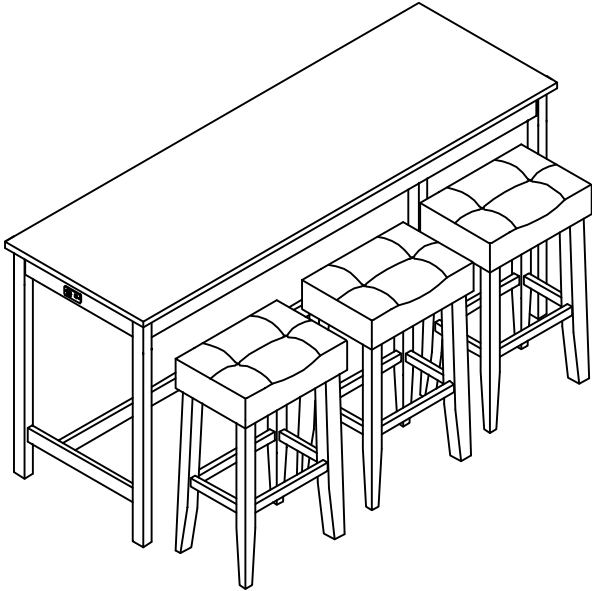


Do not tighten
the screws


4

O  M4 x 50mm (6 PCS)

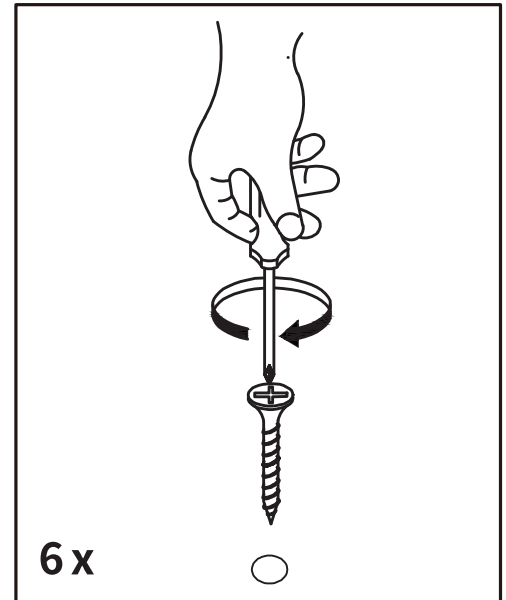
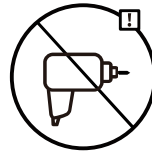
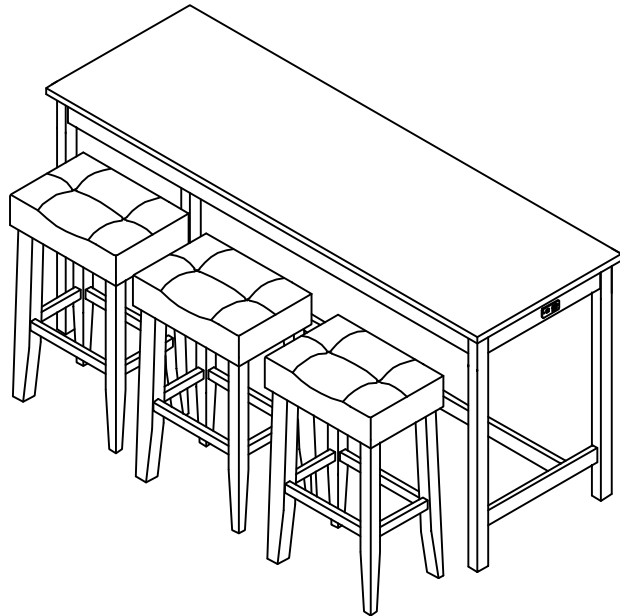
Q  (Not Provided)



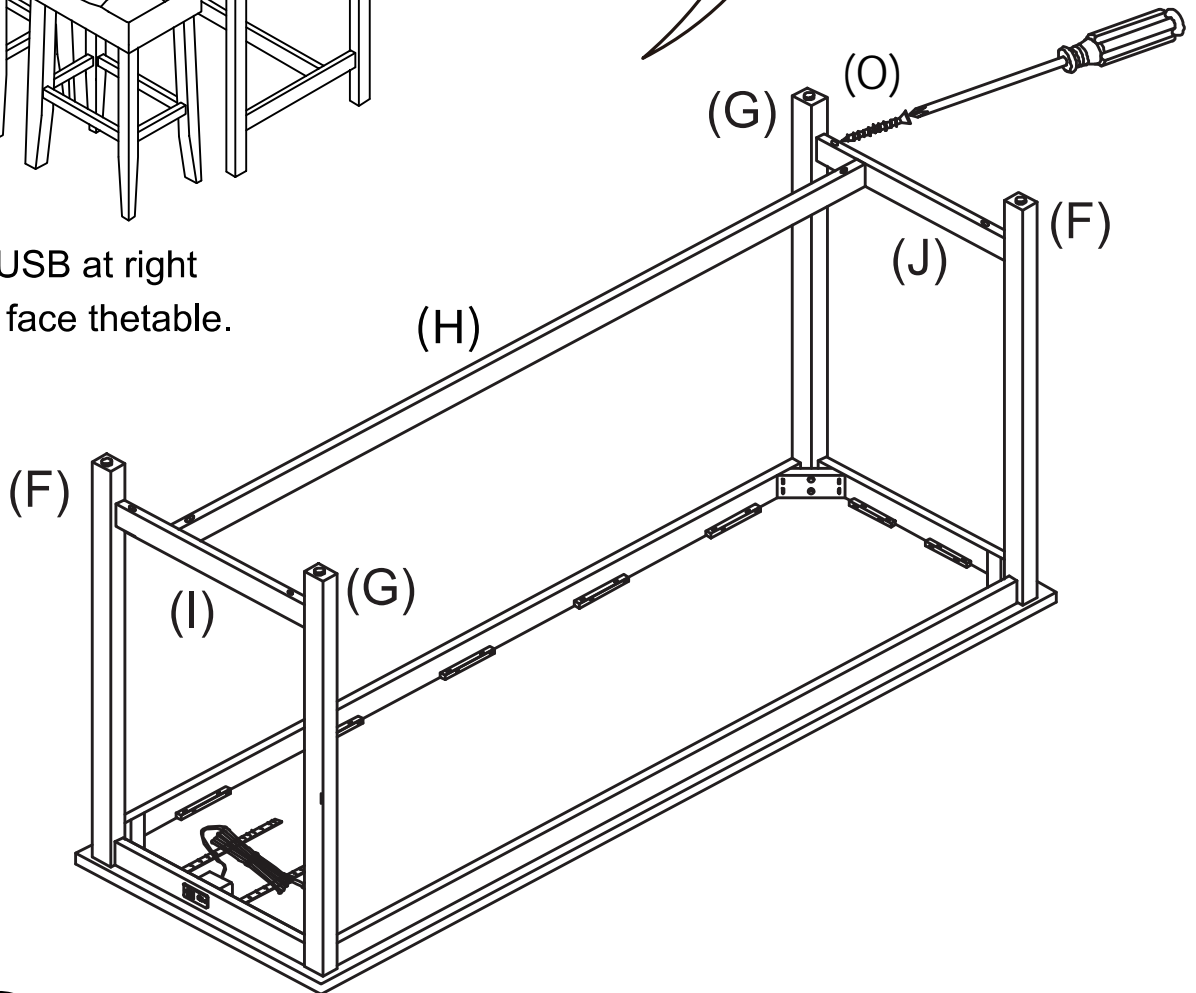
4-1

O  M4 x 50mm (**6 PCS**)

Q  (Not Provided)

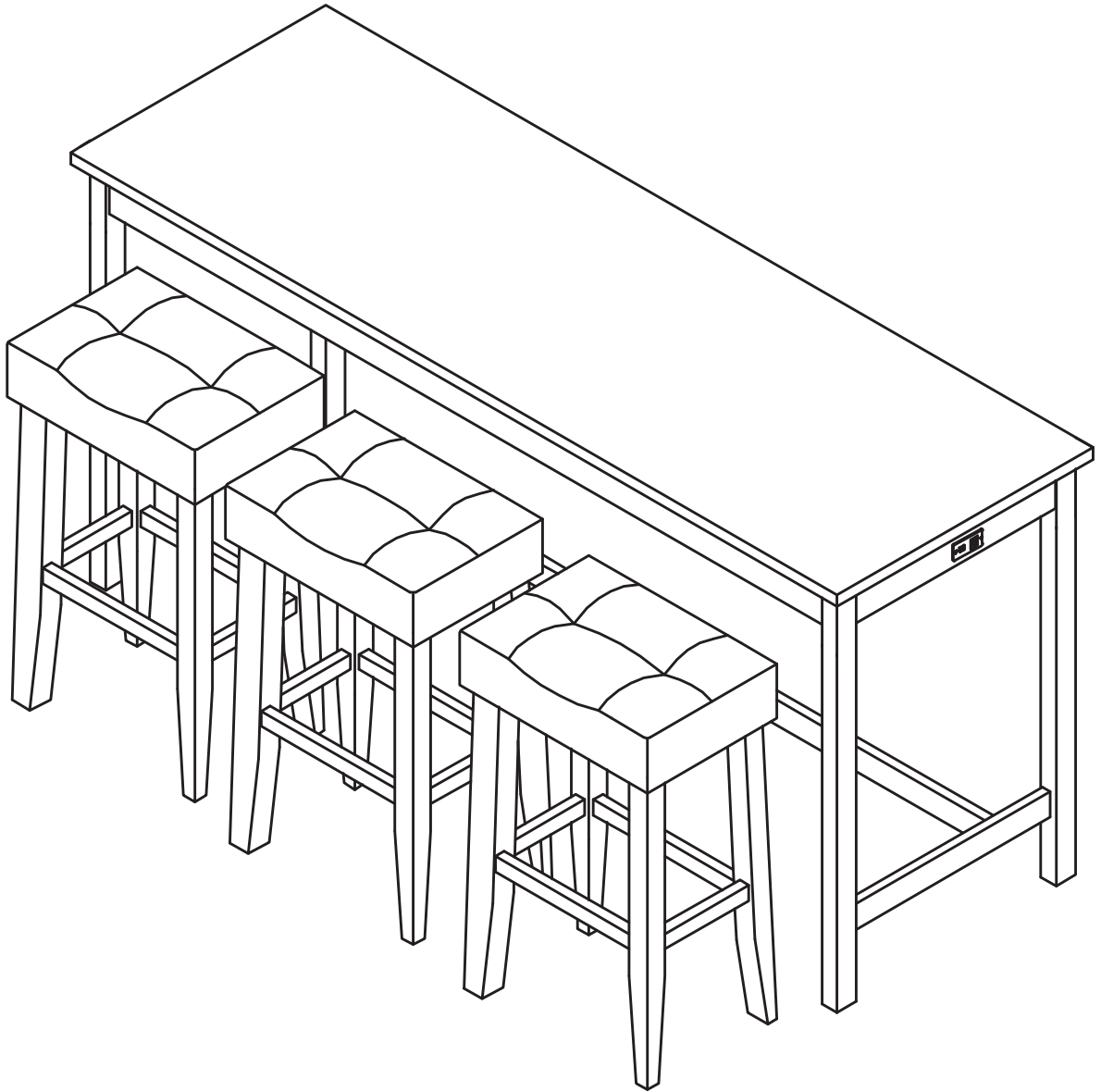


Finish I and J, USB at right side when you face the table.



Tighten all screws

5





Safety and Care Advice

Warnings

- Use on level surface only.
- Do not stand on the chair or use it as a ladder.
- Only one person sitting on the chair at a time is permitted.
- Do not use the chair if parts are damaged or screws are loose or missing.
- Do not sit on the edge of the seat. Please always sit properly.
- Do not allow kids to play with the chair.
- Never leave children alone with the chair.
- Severe injuries will occur, if these warnings are ignored.

Cleaning & Maintenance

Cleaning:

- Wipe with a soft, slightly moist cloth.
- Never use corrosive detergents, wire brushes, abrasive scourers, metal or sharp tools to clean this chair.

Maintenance:

- Check and tighten all parts regularly.
- If this chair is damaged or seem unsafe, immediately contact us for after sales services.

Limited Warranty

Duhome Inc. promises to repair or replace any Duhome product or component that is found to be defective in material or workmanship within one (1) year, from the date of original purchase as the original purchaser owns and uses the products. This warranty is subject to the provisions below.