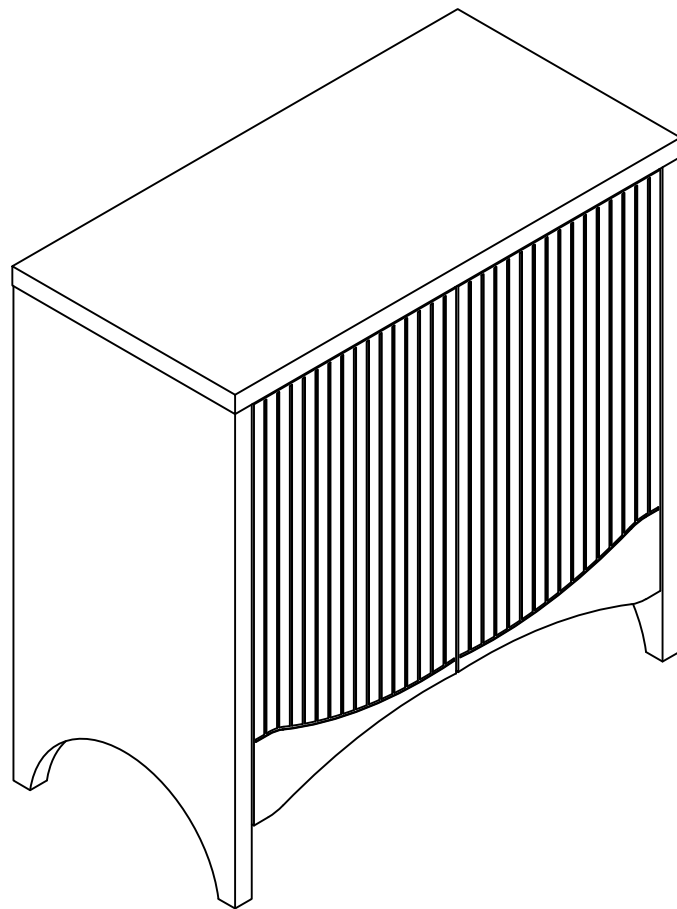


Installation Instruction



Assembling

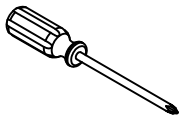
Estimated time for assembly



45 : 00

What you need

- Use the packaging carton as a working surface to prevent product damage during assembly
- Phillips head screwdriver



Weight Limitation

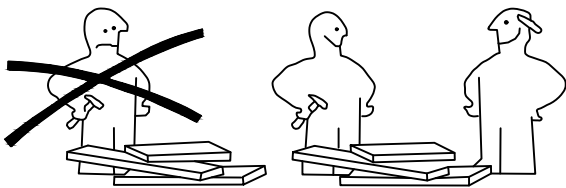


100

lbs table top

| 35

lbs per

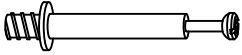


What' included

Code	Description	Qty
A	Cam Bolt M6X35MM	12
B	Cam Lock 15X10MM	12
C	Wooden Dowel M8X30MM	8
D	Screw M4X40MM	2
E	Screw M3.5X14MM	42
F	Shelf Holder	4
G	Metal connector	2
H	Shelf Holder	4
I	Door Rebound Device	2
J	The back button	12
K	Anchor	2
L	EVA mat	4
M	Door Rebound Device Holder	2
N	Self-adhesive hole sticker	12

The Hardwares

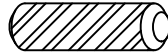
(A)



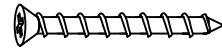
(B)



(C)



(D)



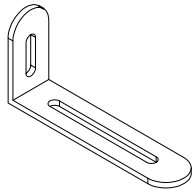
(E)



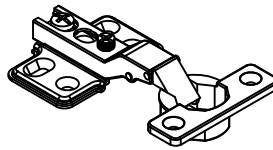
(F)



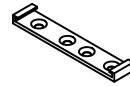
(G)



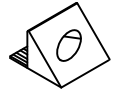
(H)



(I)



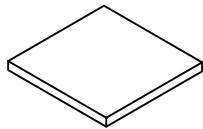
(J)



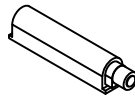
(K)



(L)



(M)



(N)



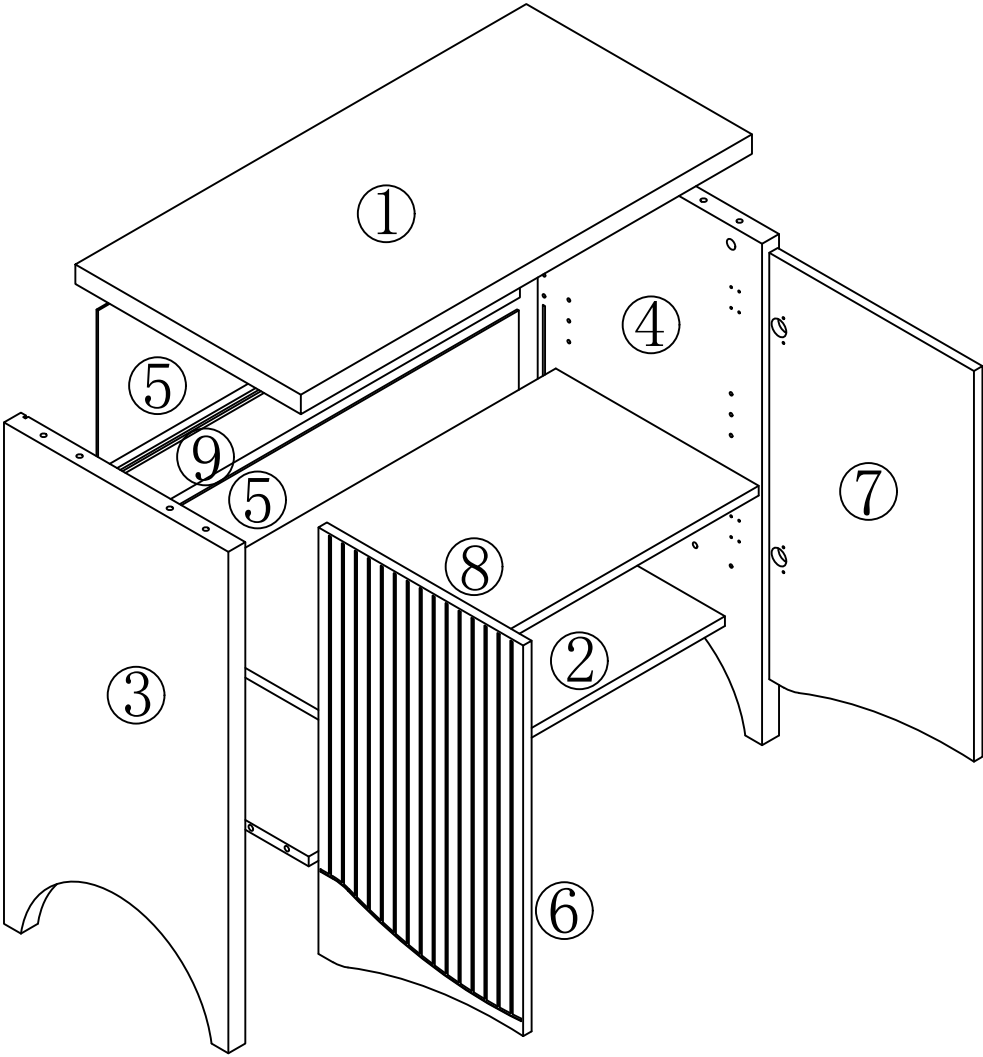
IMPORTANT:

1. Do not tighten bolts / screws completely until all bolts / screws are lined up and inserted into holes.
2. Do not over tighten screws and bolts to avoid stripping
3. Please use hand tools to assemble this product. Do not use power tools.

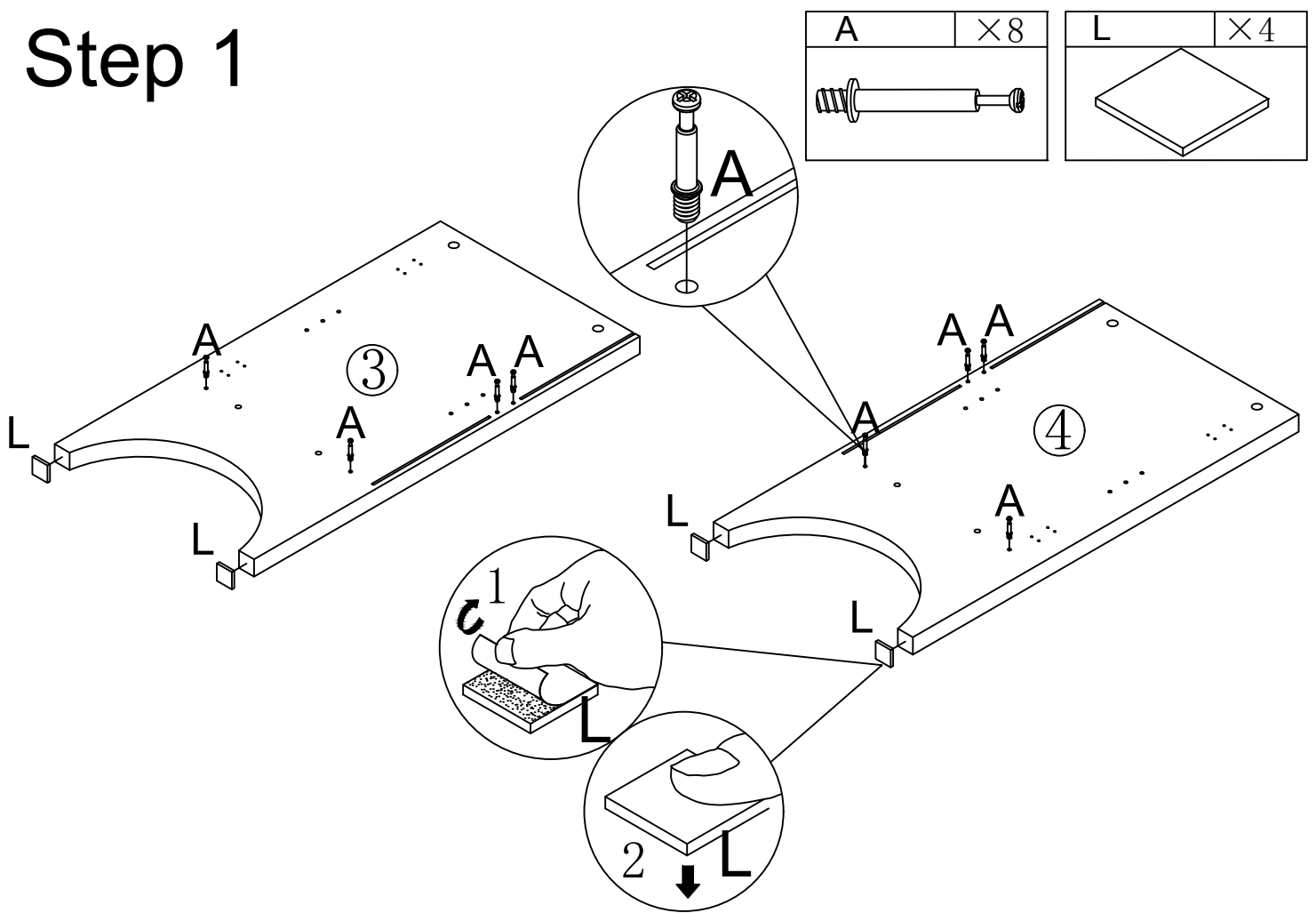
Included Accessories

Code	Description	Qty
1	Cabinet Top	1
2	Bottom Panel	1
3	Left Side Panel	1
4	Right Side Panel	1
5	On the rear panell	2
6	Crura medius	1
7	Door leaf	1
8	Shelf	1
9	Back reinforcement plate	1

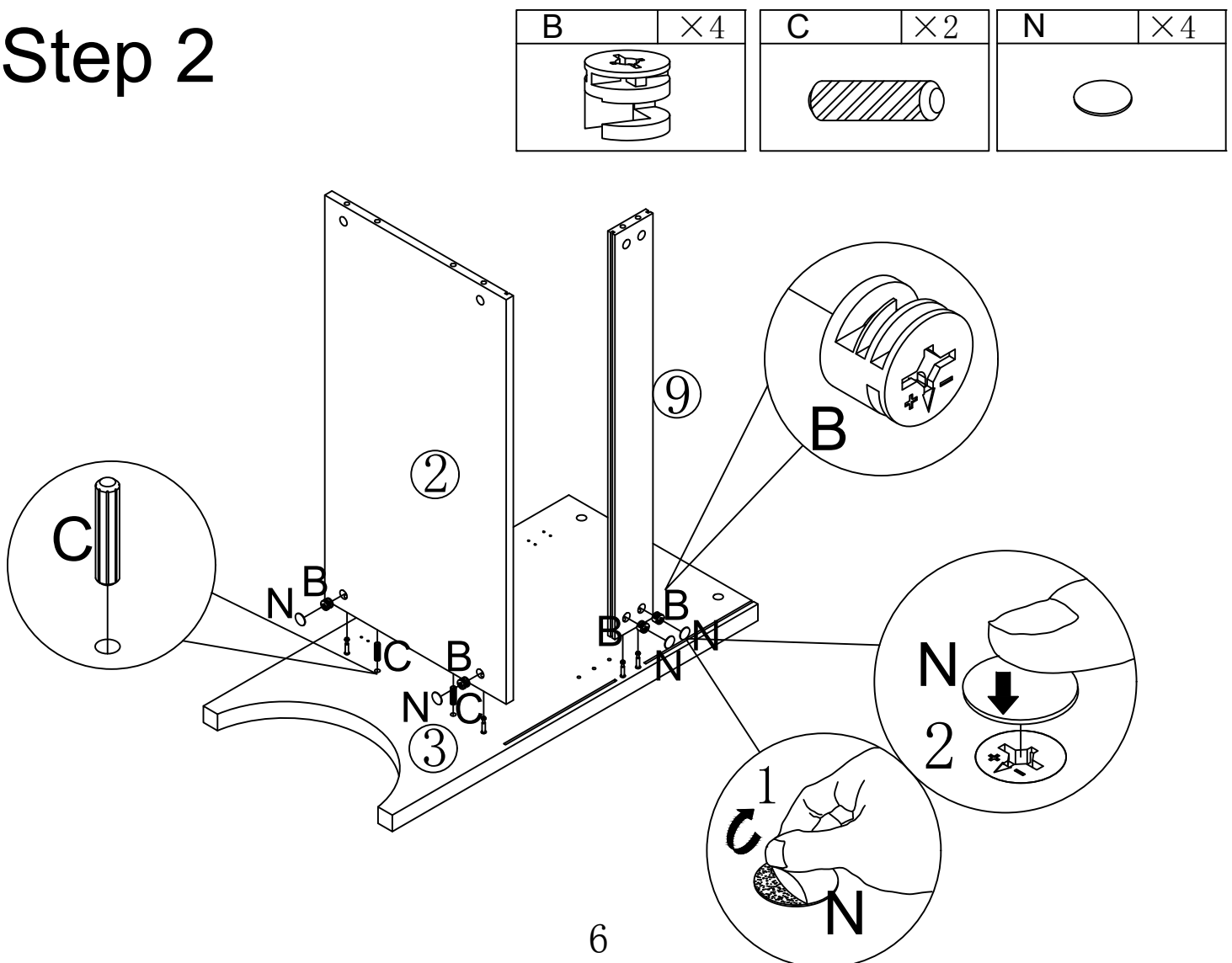
The Accessoriess



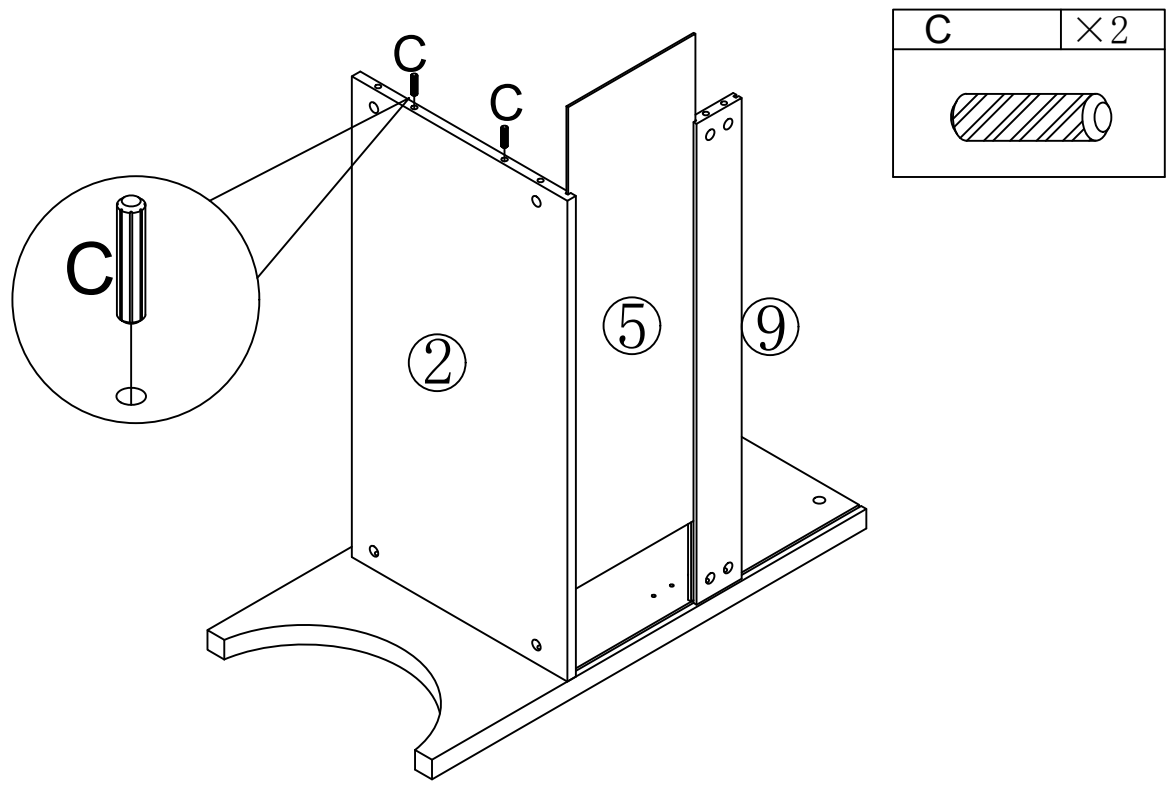
Step 1



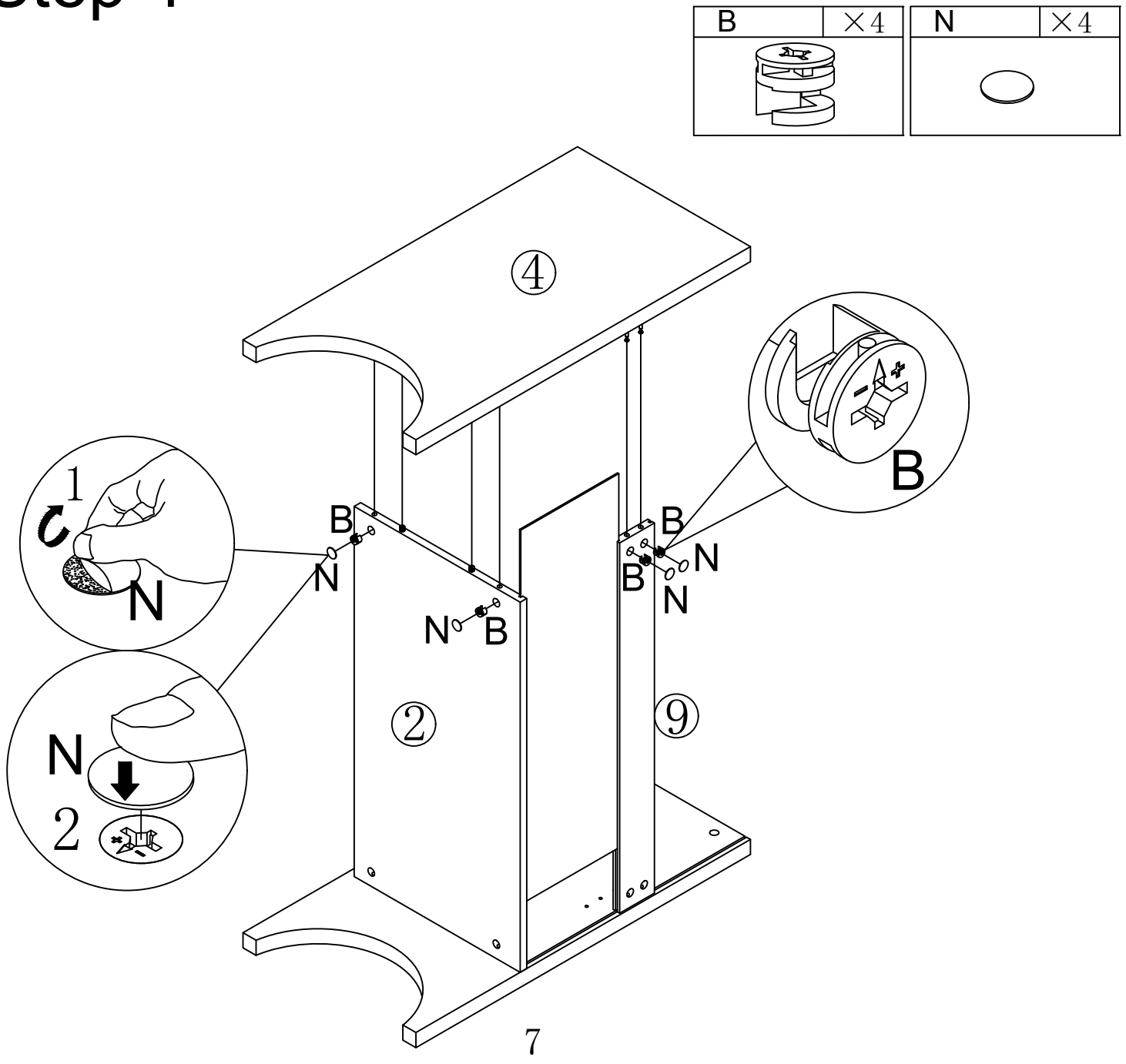
Step 2



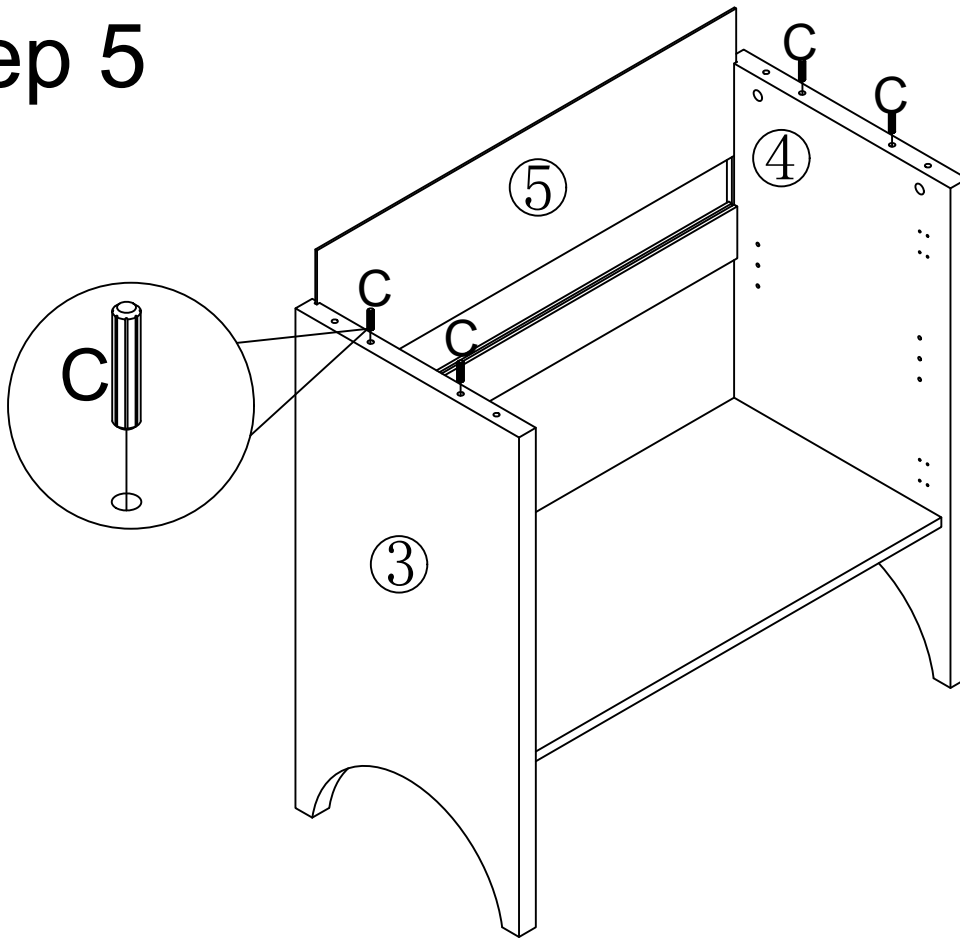
Step 3



Step 4



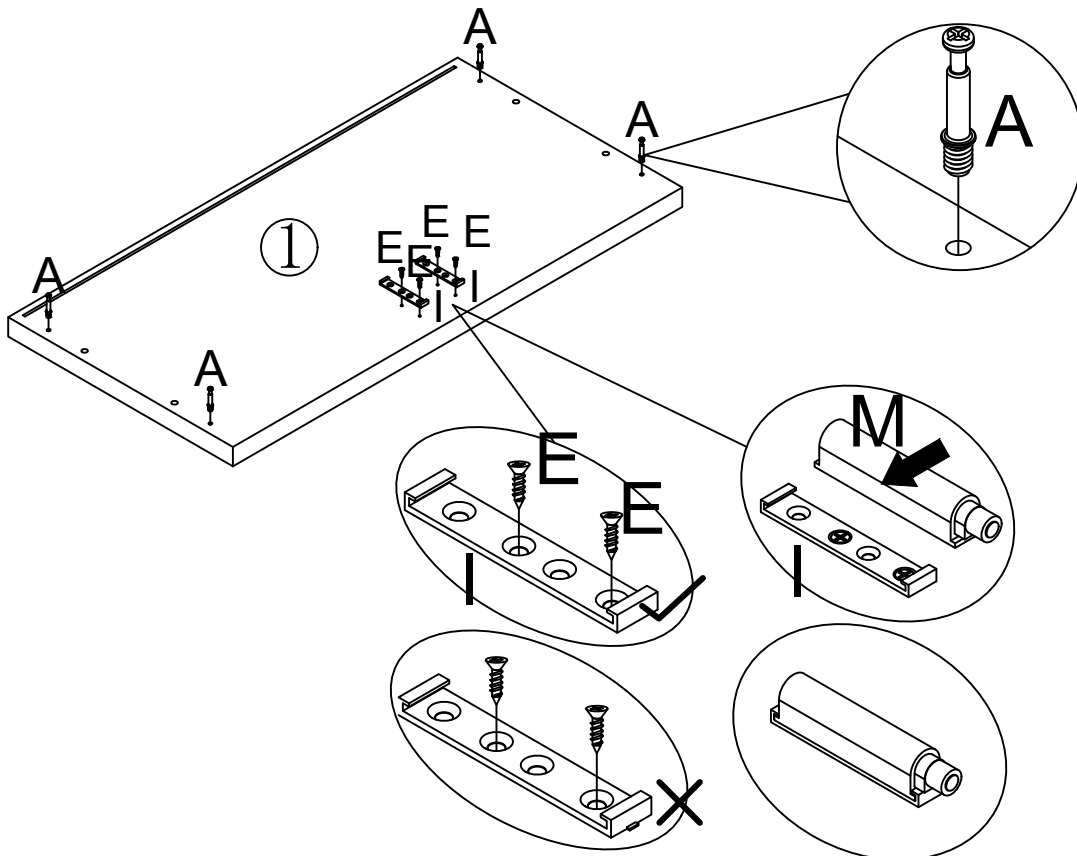
Step 5



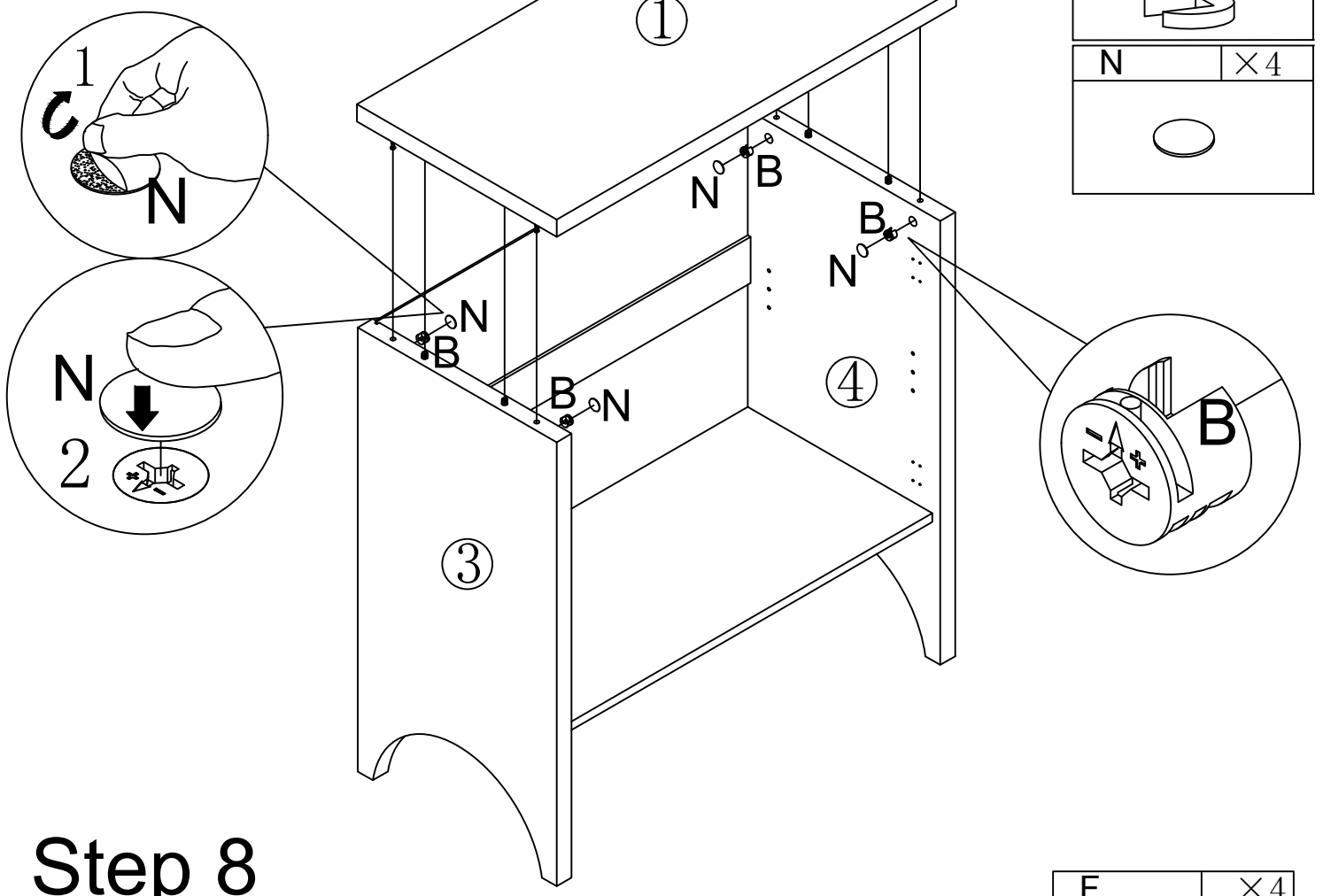
C	×4

Step 6

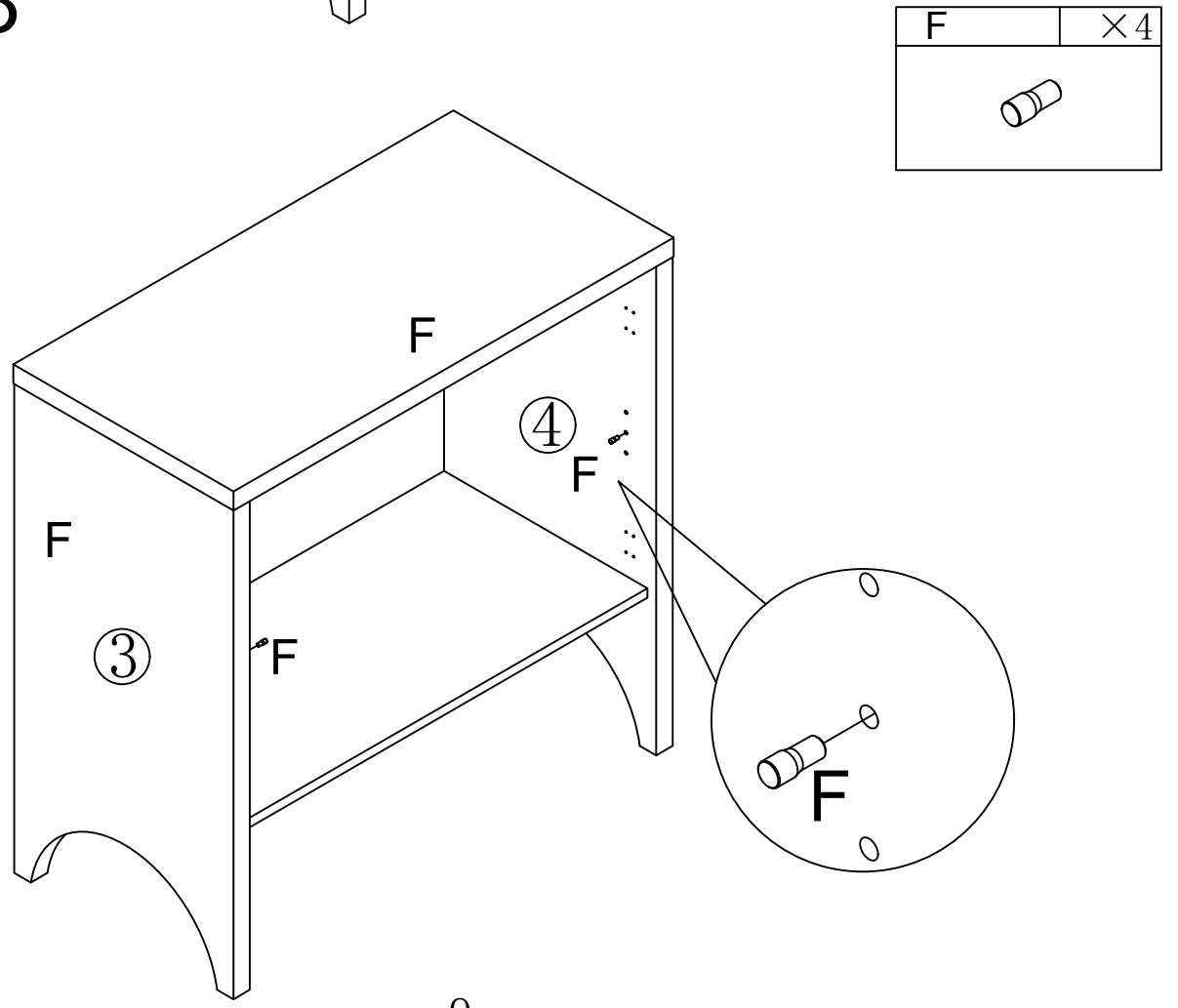
A	×4	E	×4	I	×2	M	×2



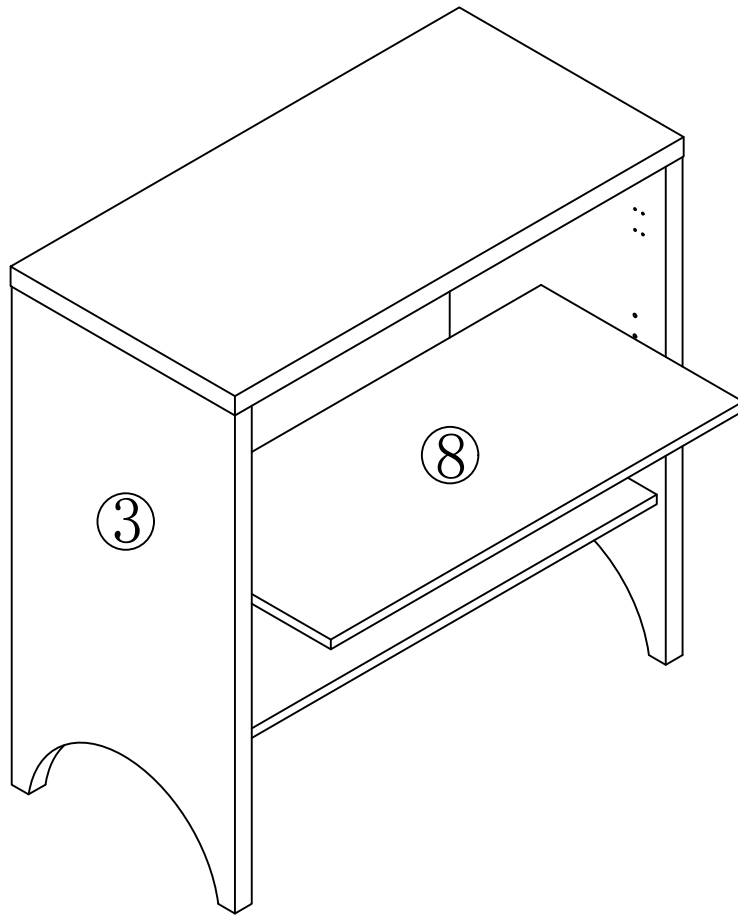
Step 7




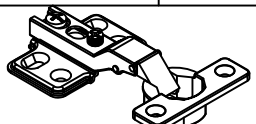
Step 8

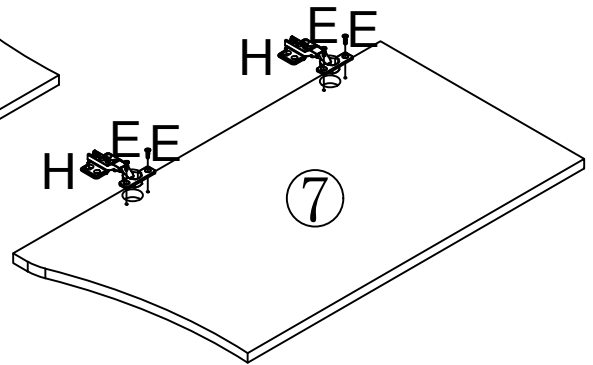
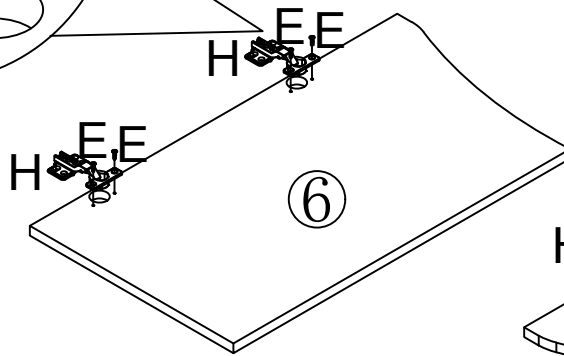
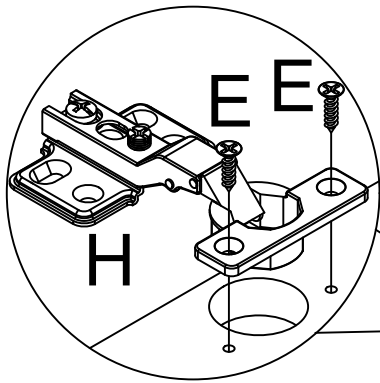


Step 9




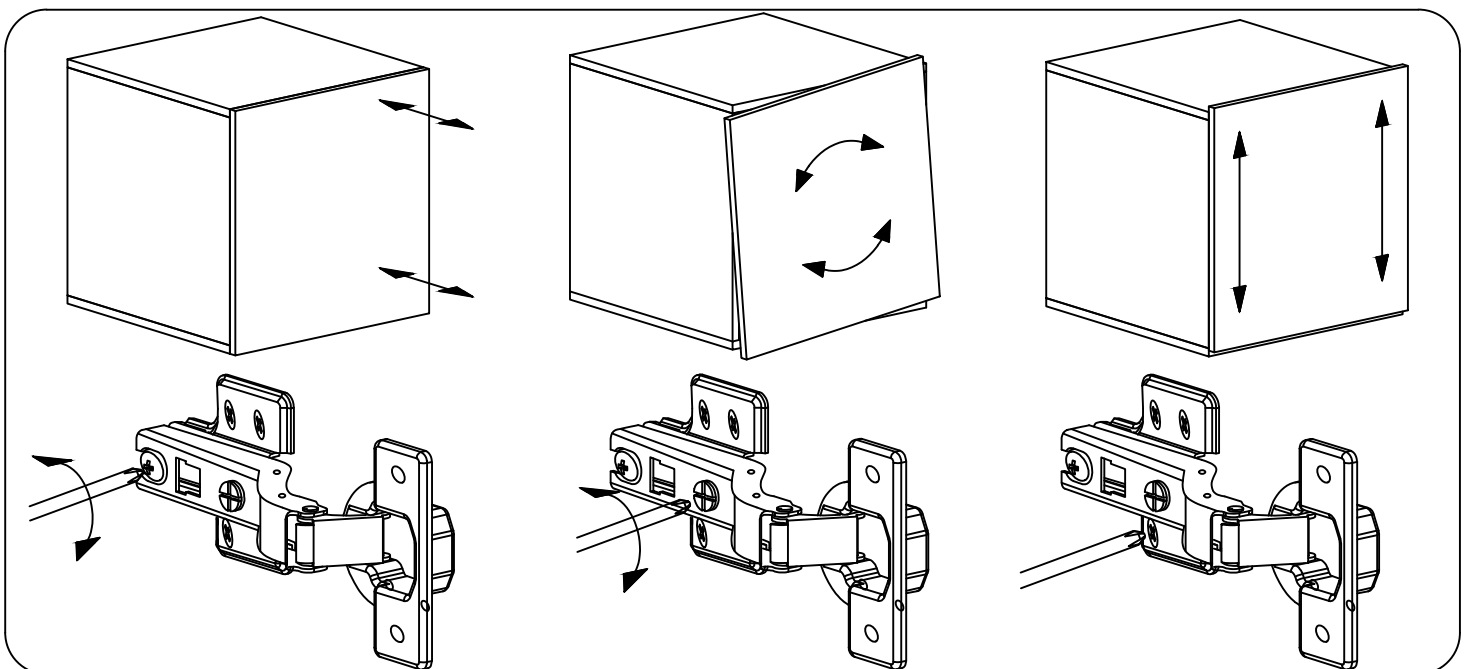
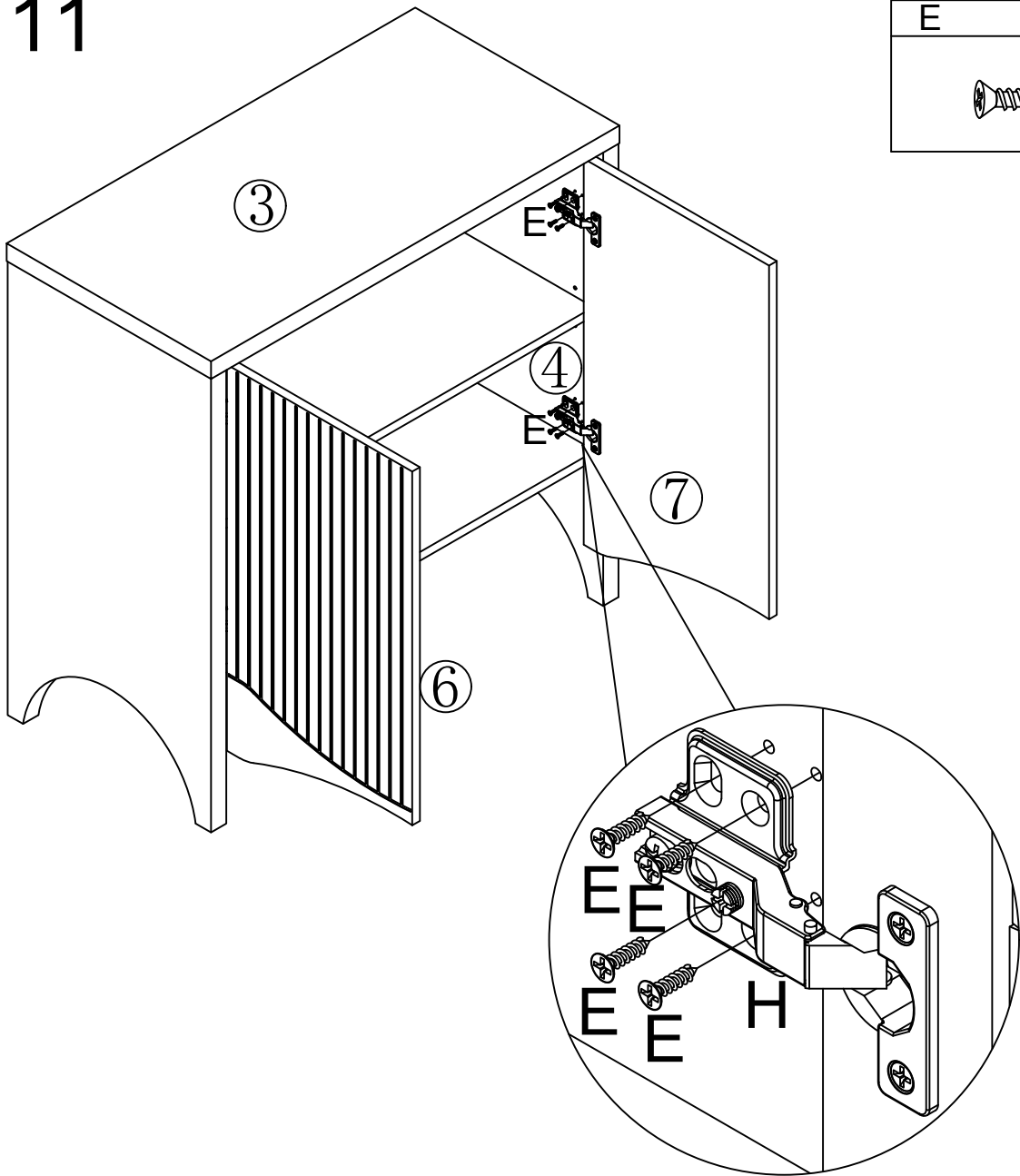
Step 10

E	×8	H	×4
			

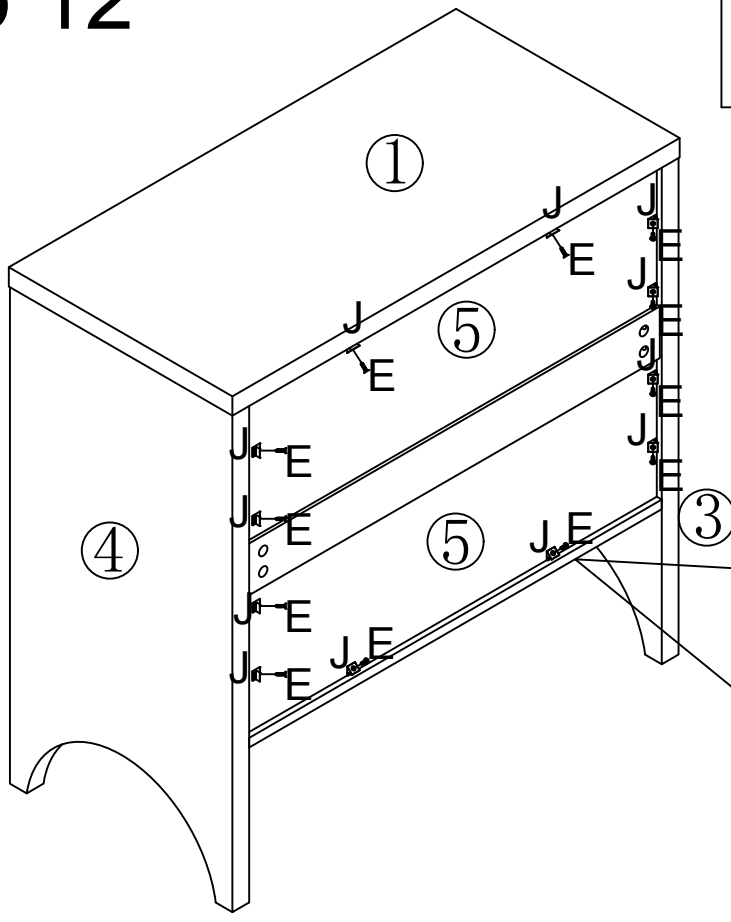



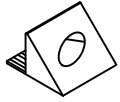
Step 11

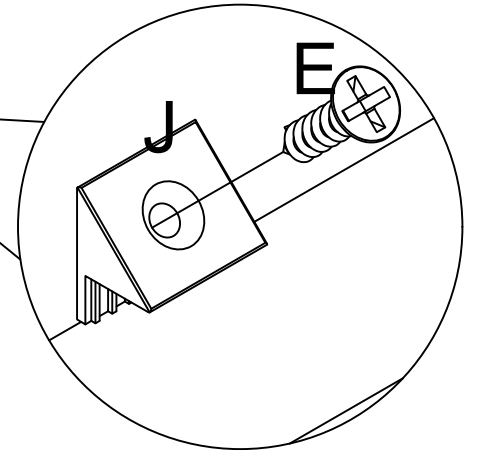
E	×16
	



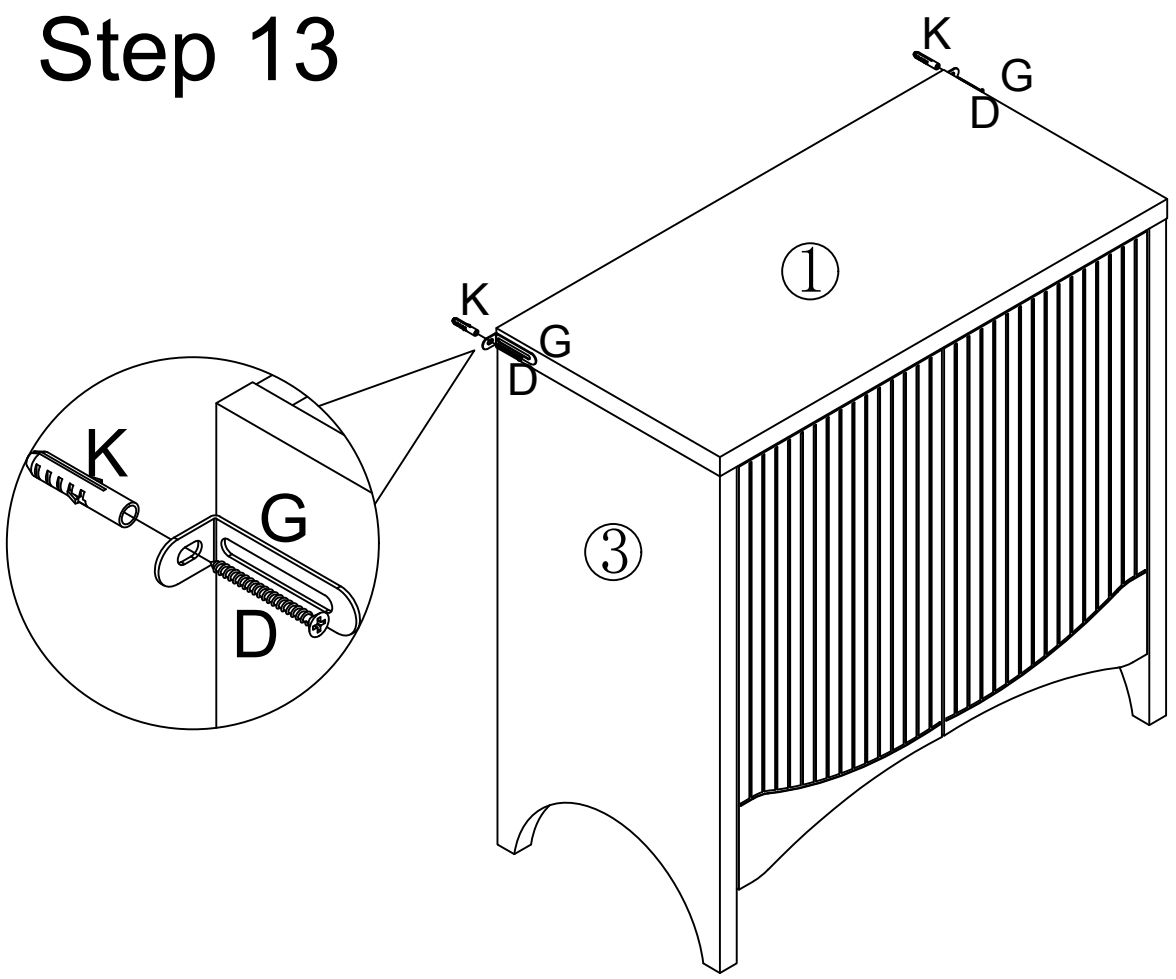
Step 12

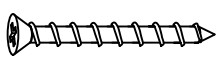
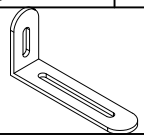



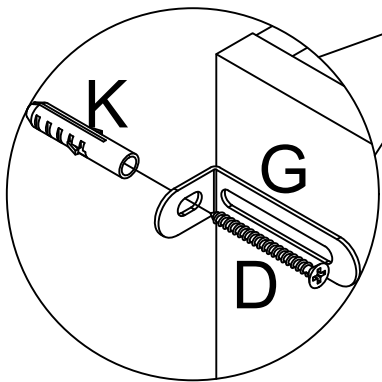
E	×12	J	×12
			




Step 13

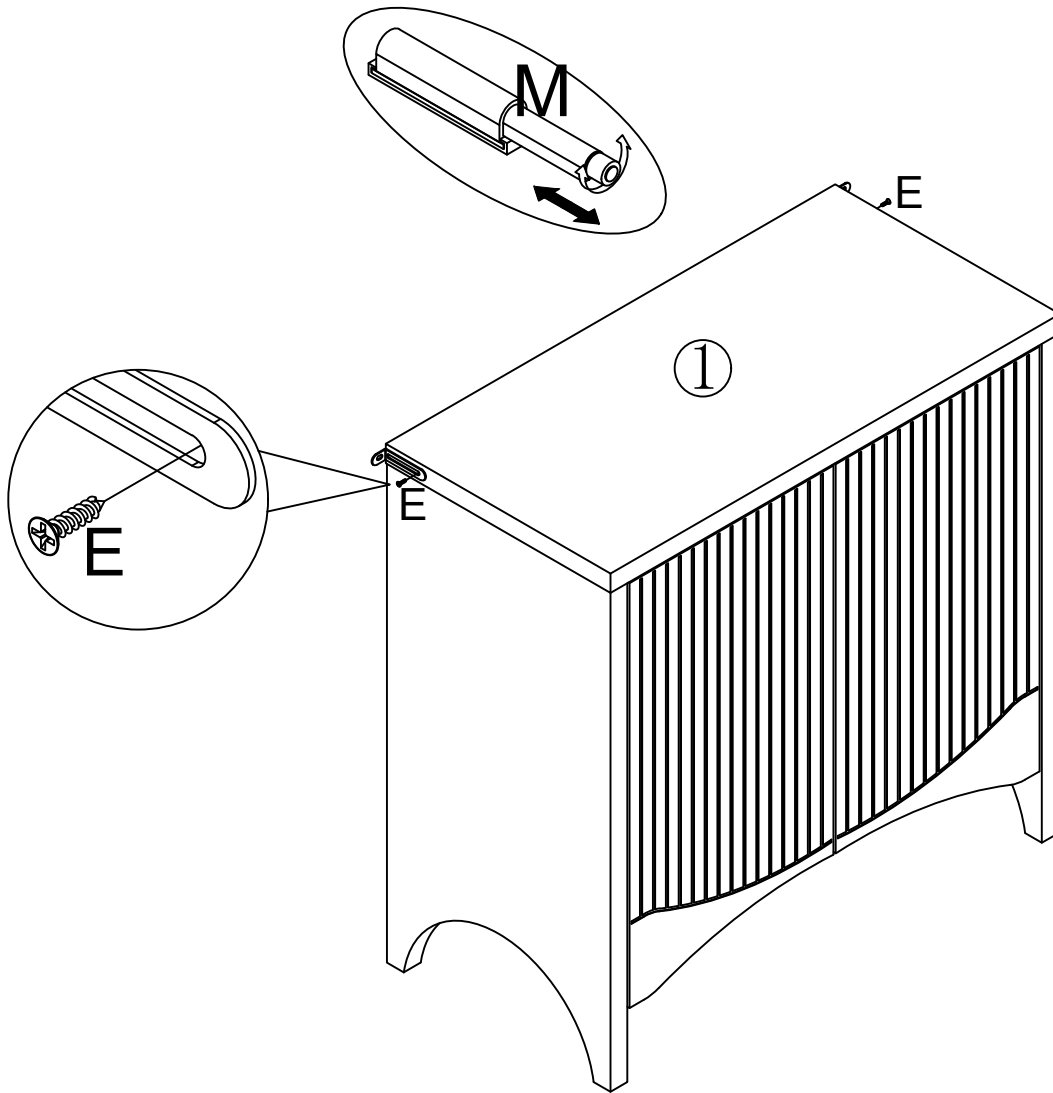


D	×2	G	×2
			
K	×2		
			



Step 14

E	×2
	



Note If the door does not pop out after pressing the door, adjust the rebound device according to the figure