

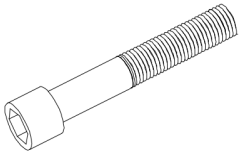


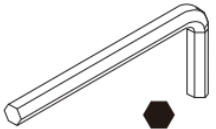

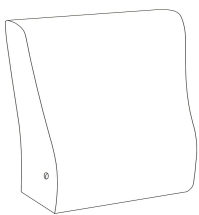
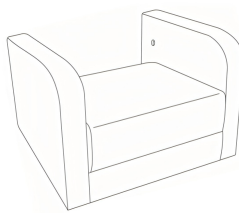
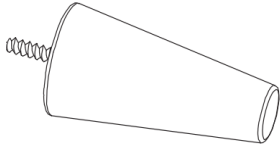
Assembly Instructions

CAUTION

DO NOT use any sharp objects to open plastic-wrapped components as this may result in damage to the product or components .

Your recliner comes packaged in one boxes. Carefully remove all of the components from the packaging and set them aside for assembly.

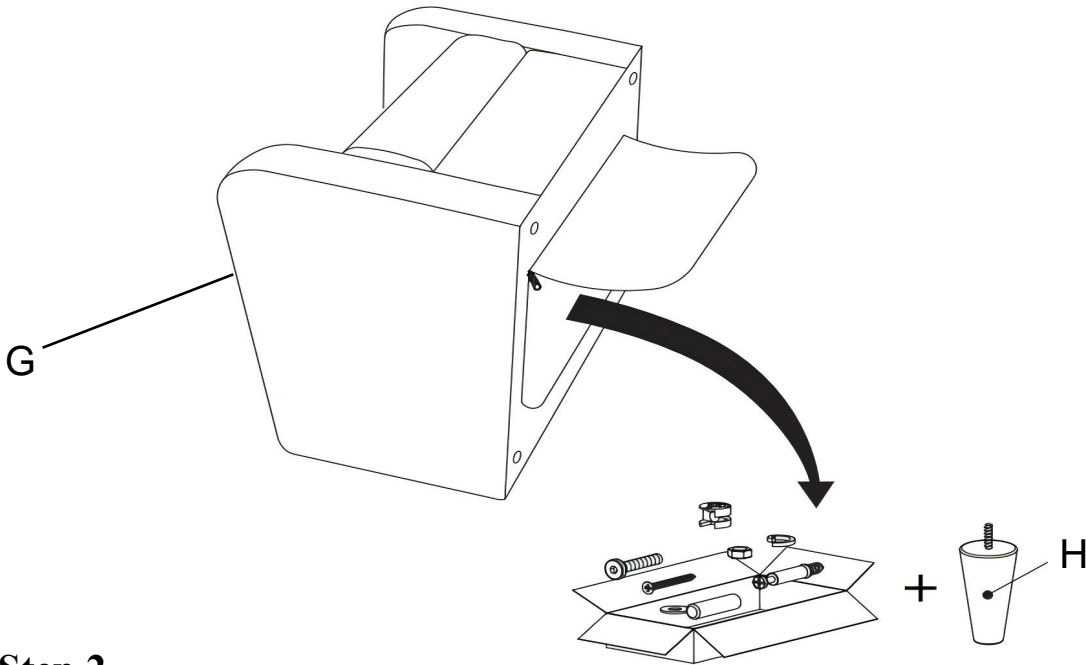
Package Contents

BOX 1	 M8×60 mm	 Ø8/Ø30 mm	 Ø48 mm	 6 mm
	A*3	B*3	C*4	D*1
	 Ø25 mm			
	E*4	F*1	G*1	H*4

1 RECLINER INSTALLATION MEHOD

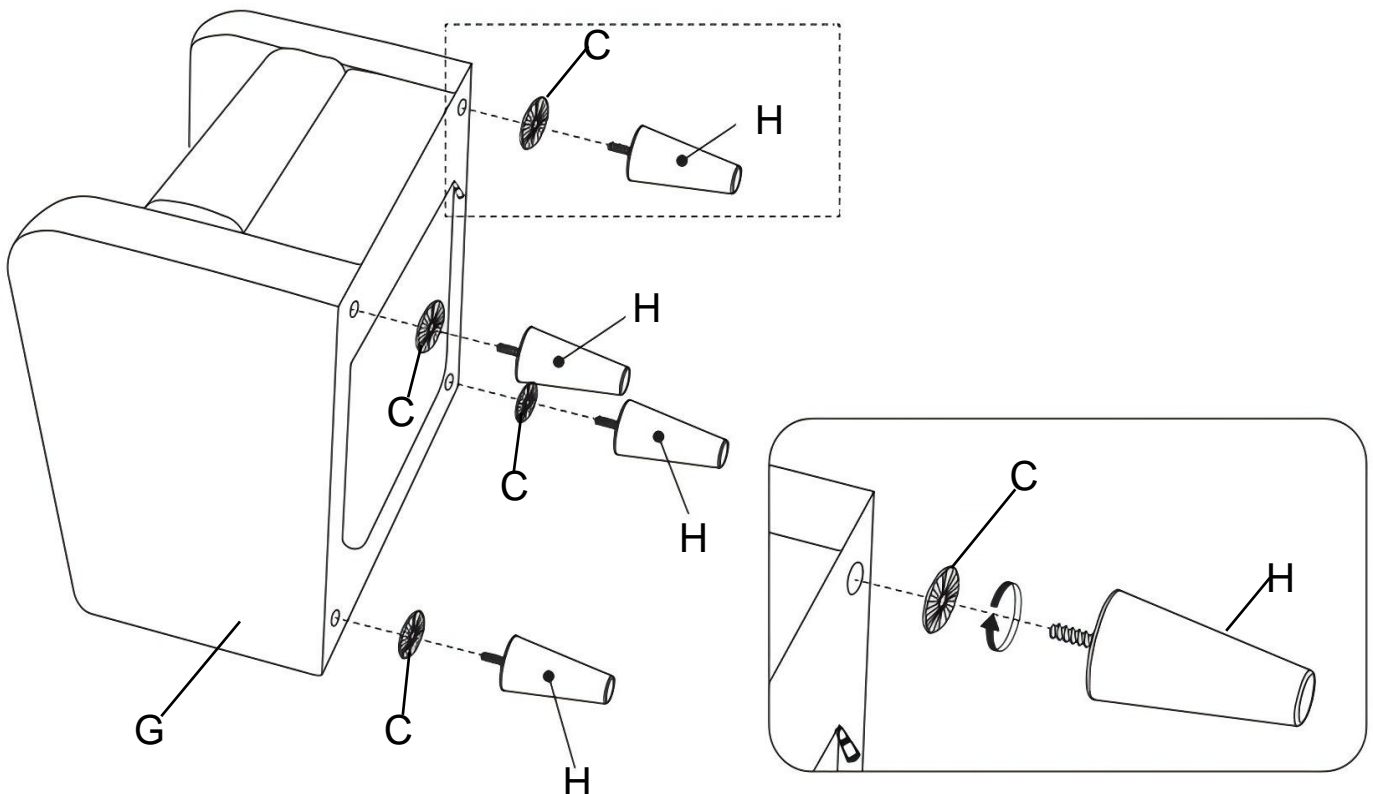
Step 1

Pull down the zipper at the bottom of the seat frame (G), then remove the wooden legs (H) and the hardware kit from the bottom.



Step 2

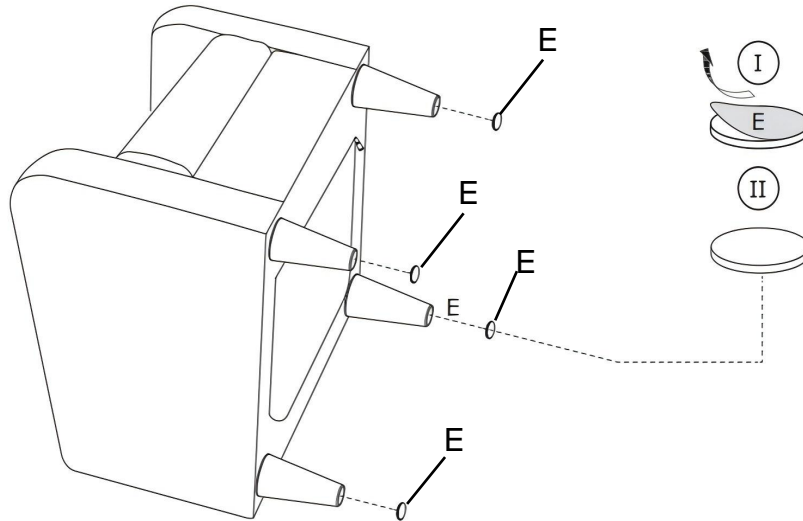
The plastic gasket (C) is installed on the wooden feet (H), and the four pairs of wooden feet (H) are aligned and screwed into the four holes at the bottom of the seat frame (G).



2 RECLINER INSTALLATION MEHOD

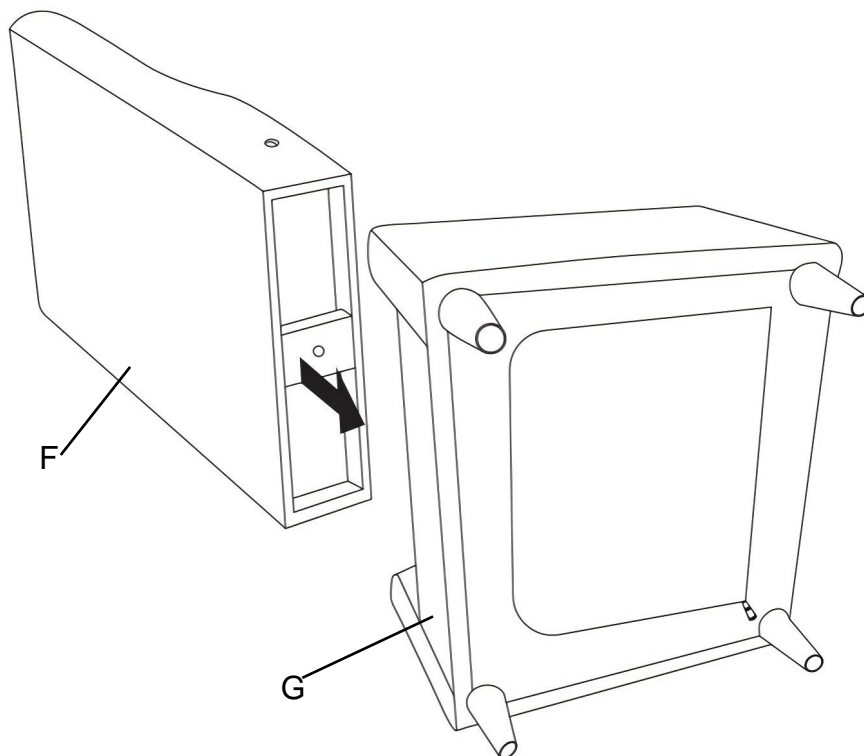
Step 3

Wooden legs (H) × 4, with non-slip foot pads (E) × 4 attached to the bottom.



Step 4

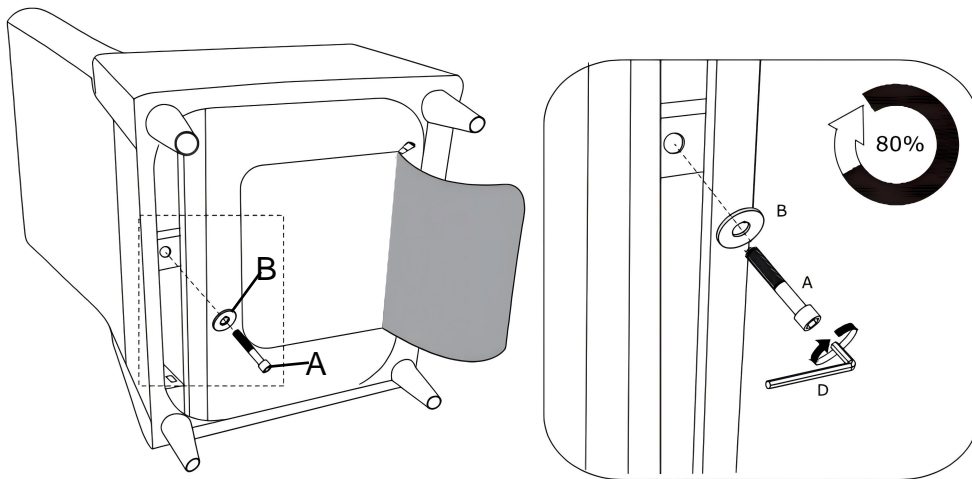
Align the backrest (F) with the seat frame (G), and align the holes in the backrest (F) with the holes in the seat frame (G).



3 RECLINER INSTALLATION MEHOD

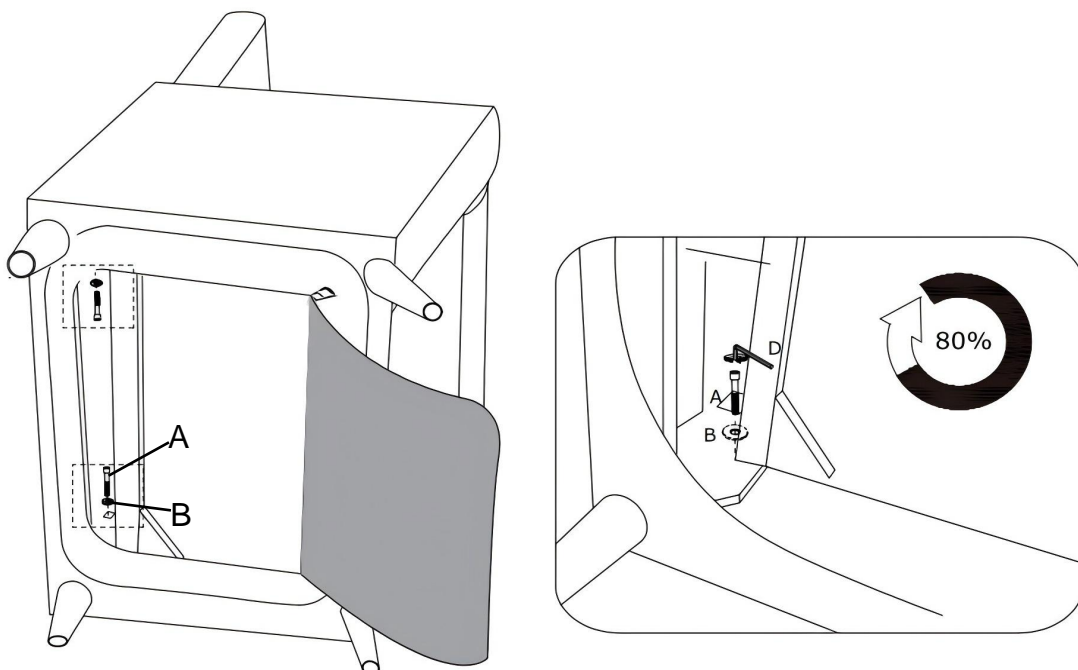
Step 5

Insert the iron washer (B) into the cup-head screw (A), then use the Allen wrench (D) to tighten it into the holes at the bottom of the seat frame (G) and the backrest (F)—tighten the cup-head screw to about 80% of its full torque.



Step 6

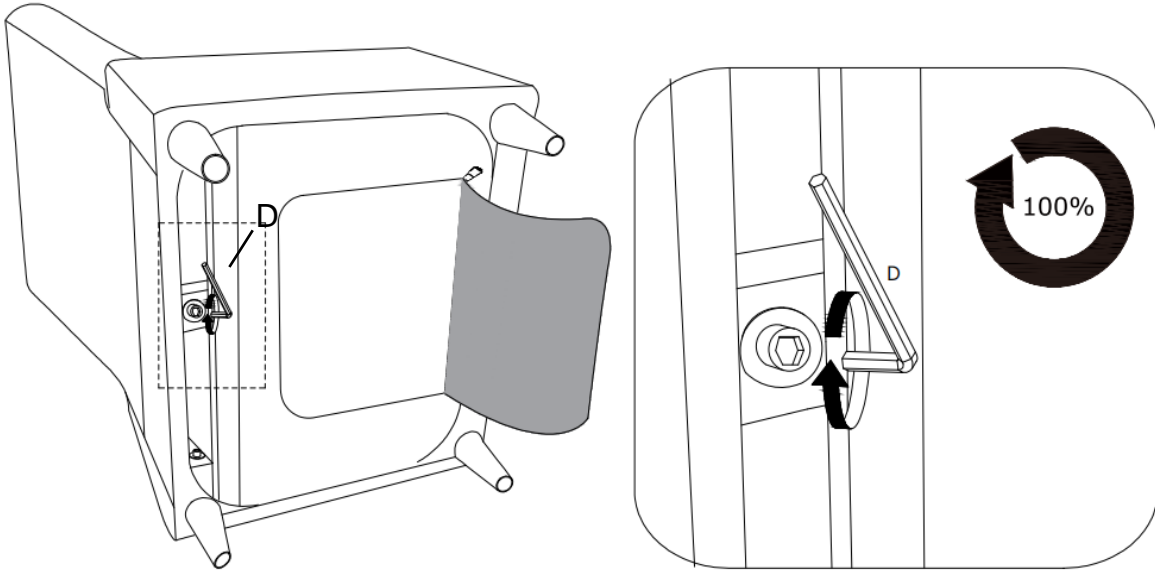
Insert the iron washer (B) into the cup-head screw (A), and use the Allen wrench (D) to secure it on both sides of the seat frame (G) and the backrest (F). (Tighten the cup-head screw to approximately 80% of its maximum torque.)



4 RECLINER INSTALLATION MEHOD

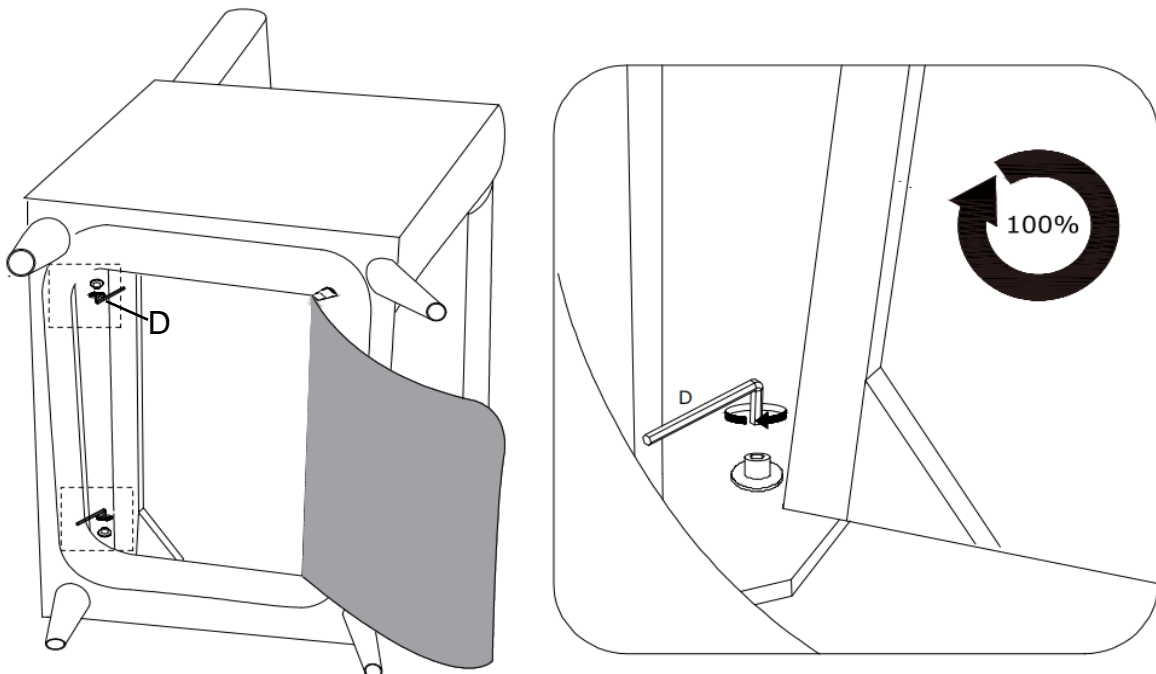
Step 7

Tighten the bottom of the seat frame (G) 100% using an Allen wrench (D).



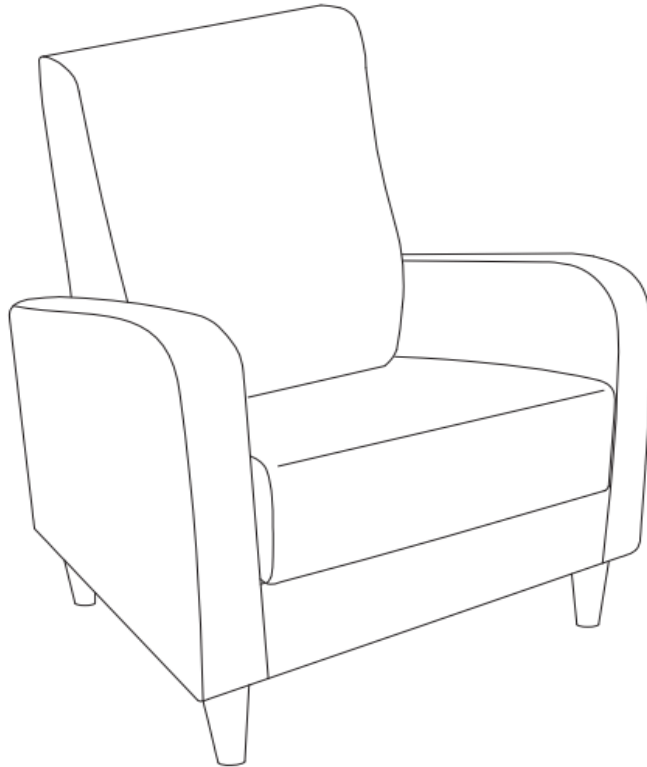
Step 8

Tighten the screws on both sides of the seat frame (G) and the backrest (F) by 100% using an Allen wrench (D).

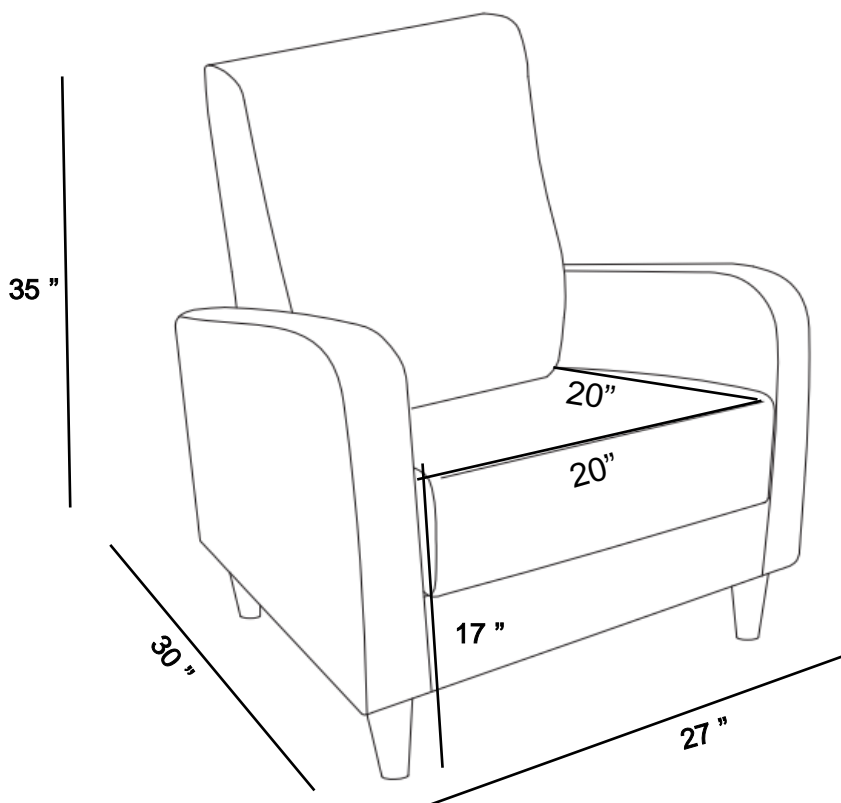


5 INSTRUCTIONS FOR USE - SIZE DIMENSIONS

Assembly completed.



Dimensional drawing



⚠️ WARNINGS

1. Please check if the components of the chair are all included and can be used normally.
2. Assemble all components according to the instruction correctly before you connect the chair to the power.
3. Please DO NOT sit on the armrests or footrest to eliminate the risk of tipping over.
4. If the chair is damaged or doesn't match the website description, please send clear pictures of the product and label of the carton to our service team for further help.
5. If the recliner doesn't work, you may try the following measures for self-checking firstly:
 - a) check if all the cables are connected;
 - b) check if the light of transformer is on.

If the chair still doesn't work, please feed the information back to our customer service in time and we will help you solve the matter as soon as possible.

