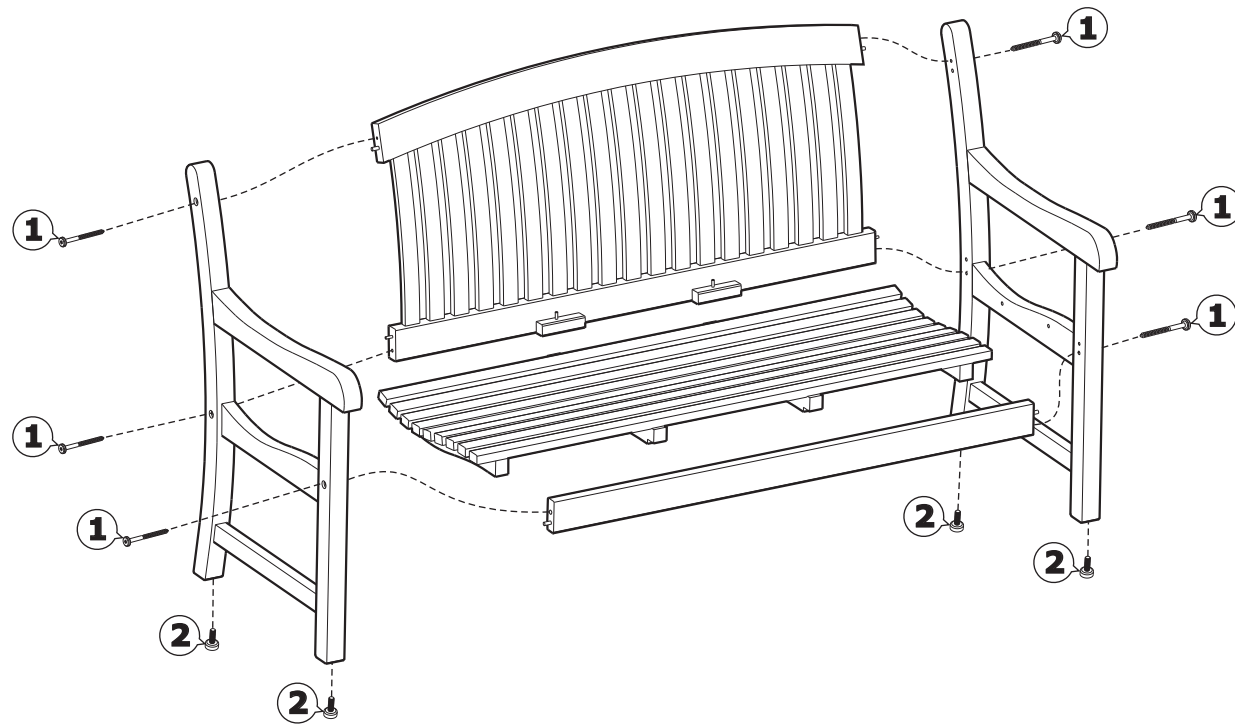
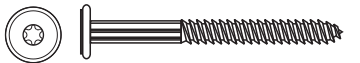
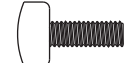



# Assembly Instruction



- 1**   
F-screw 6x80-T30, GS x 6 PCS
- 2**   
Bench foot black, P x 4 PCS
- 3**   
Torx key T30, GS x 1 PCS