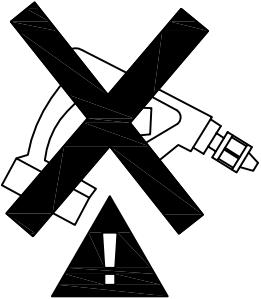
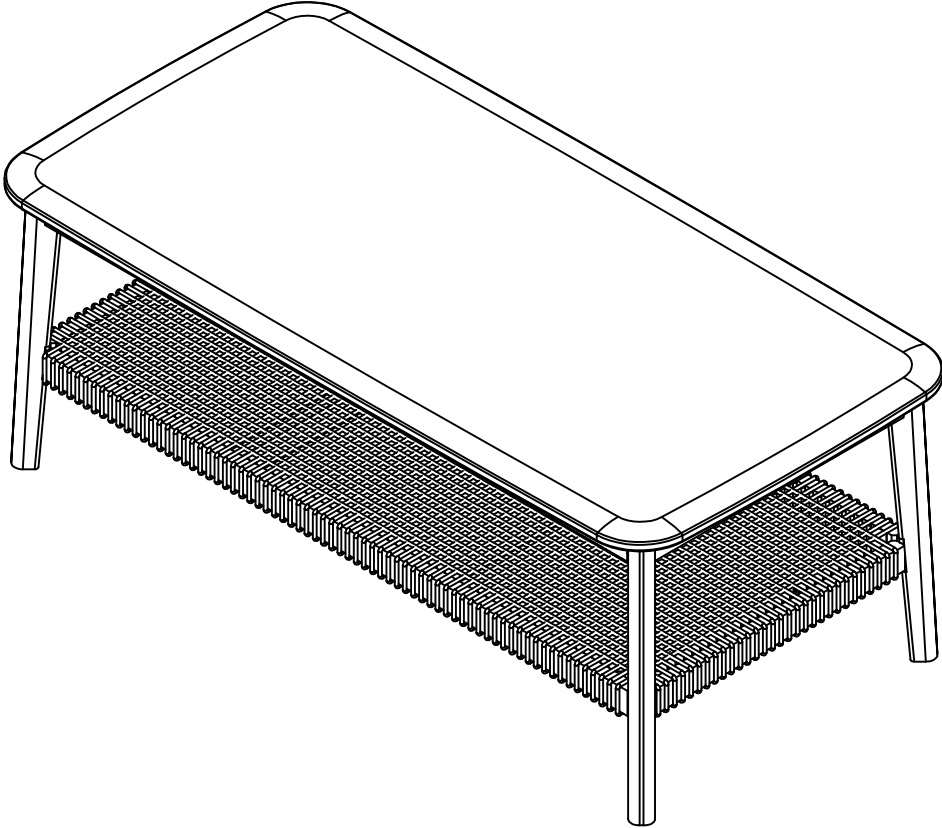


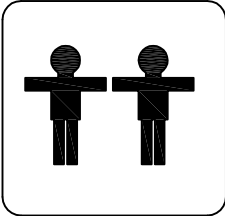
# ASSEMBLY INSTRUCTION

## Coffee Table

48"Lx24"Wx18"H

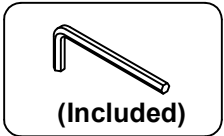


**. Use of power tool to assemble this product will invalidate any claim and damage this product making it unsafe !!!**  
**. Please assemble on a clean soft surface to avoid damage.**

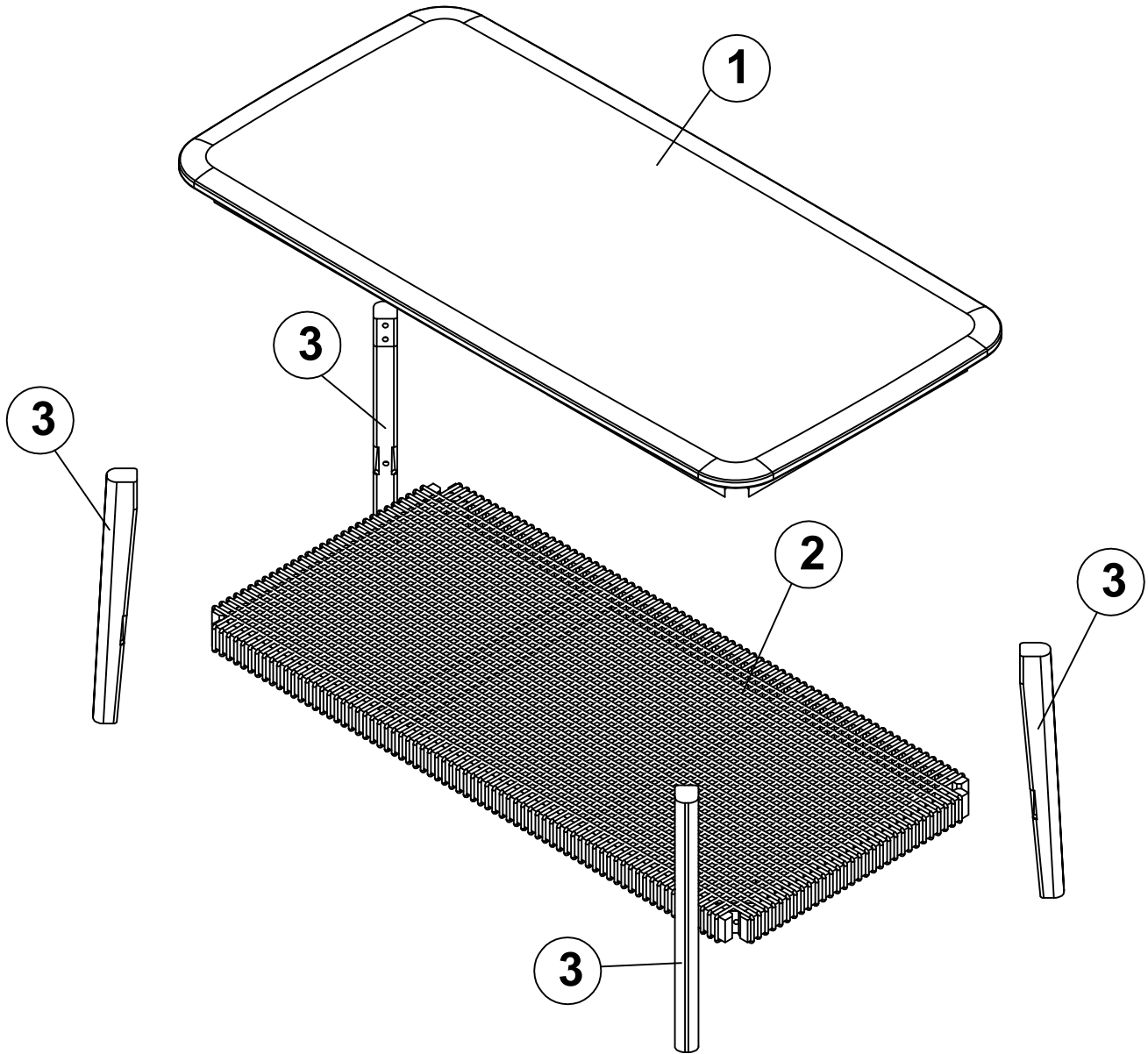


**15 minutes**

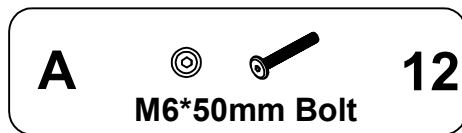
### Tools Required



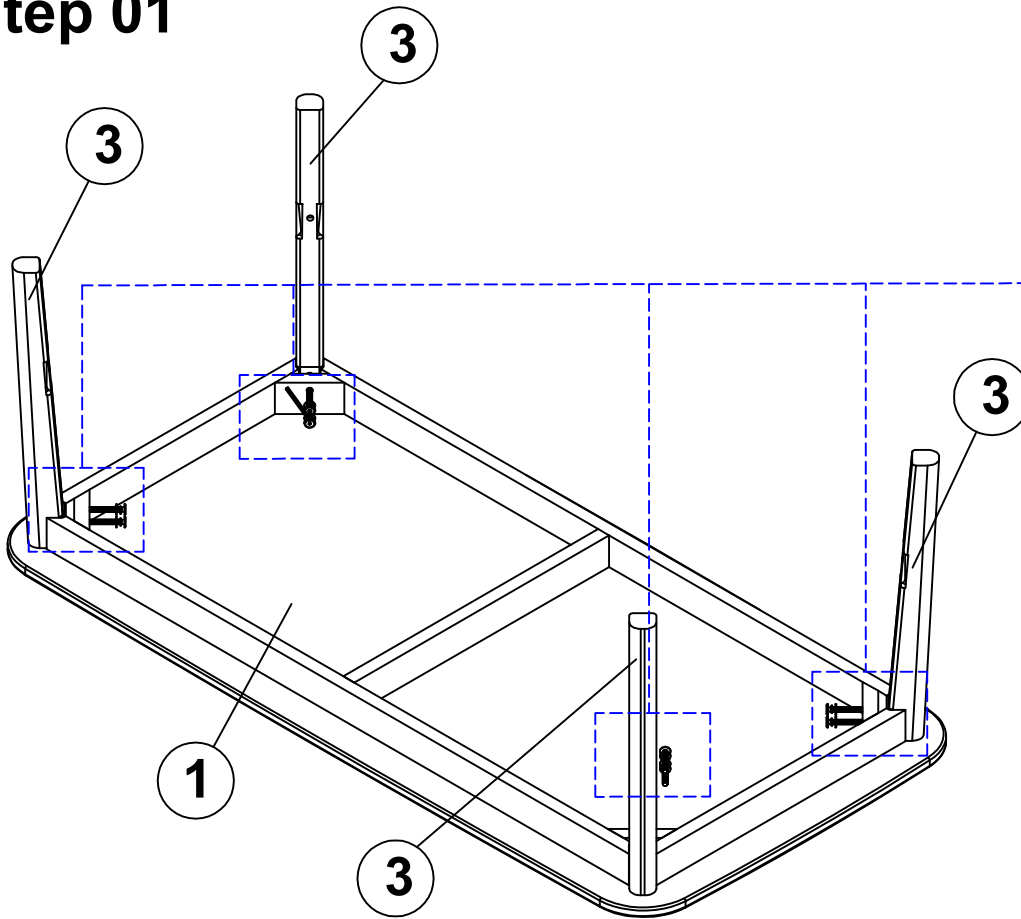
# Part list - Coffee Table



**Identifying the hardware-**Identify the hardware using the illustrations below



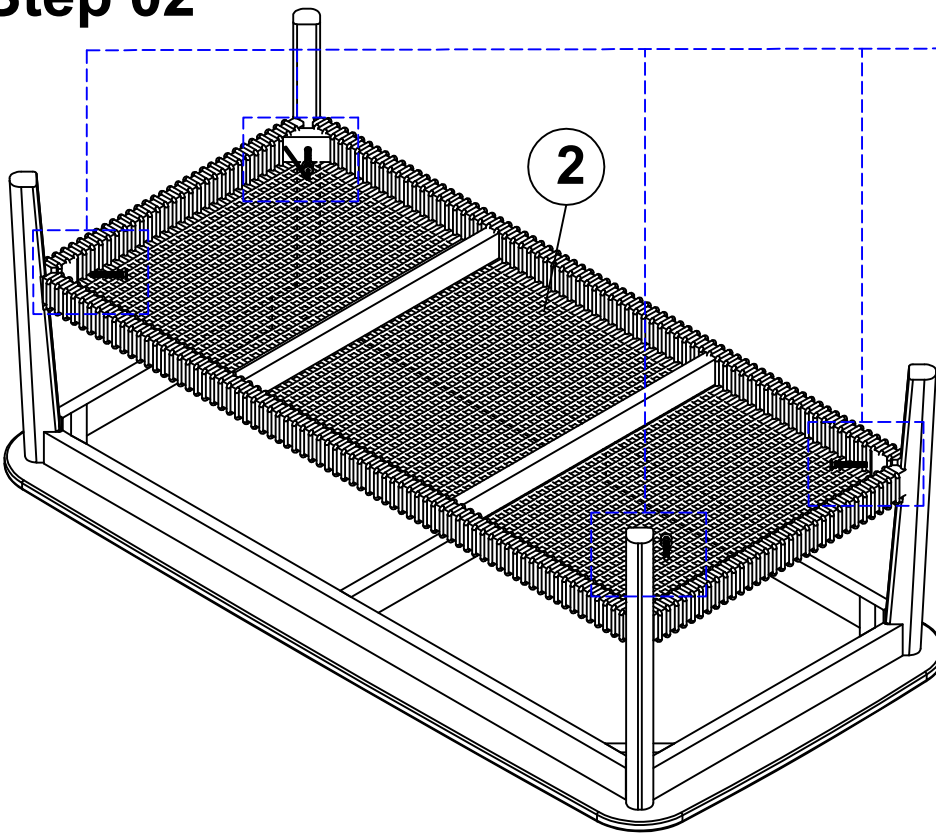
# Step 01



A		08
M6*50mm Bolt		
B		08
M6 Washer		
C		08
Spring Washer		
D		01
Allen Key		

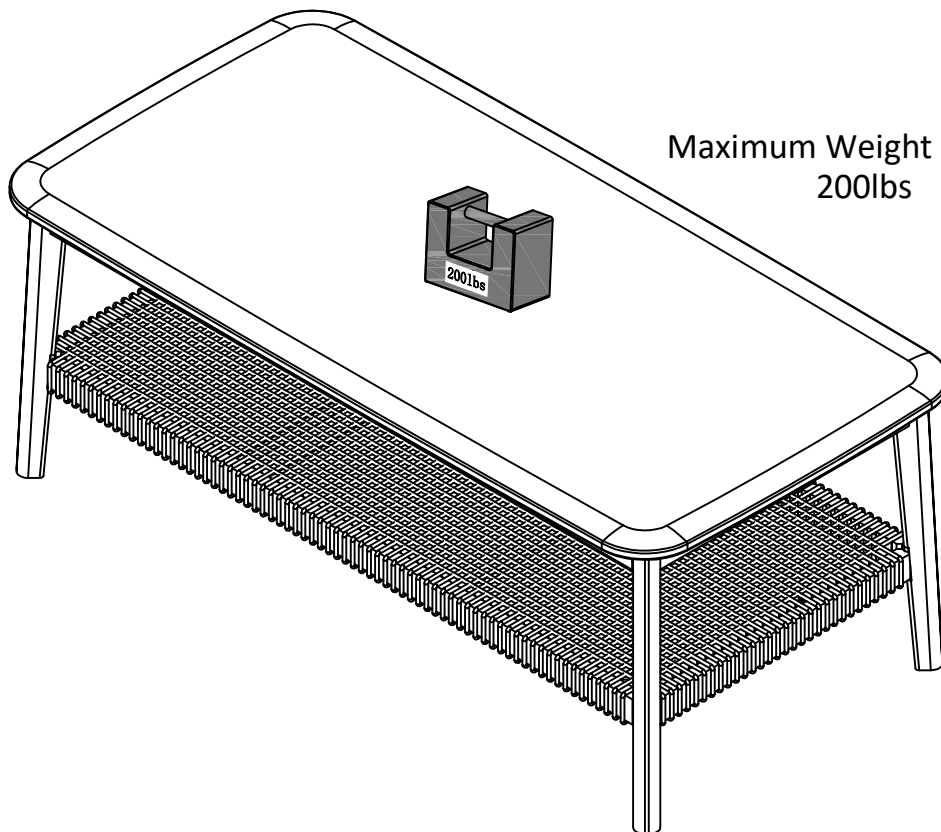
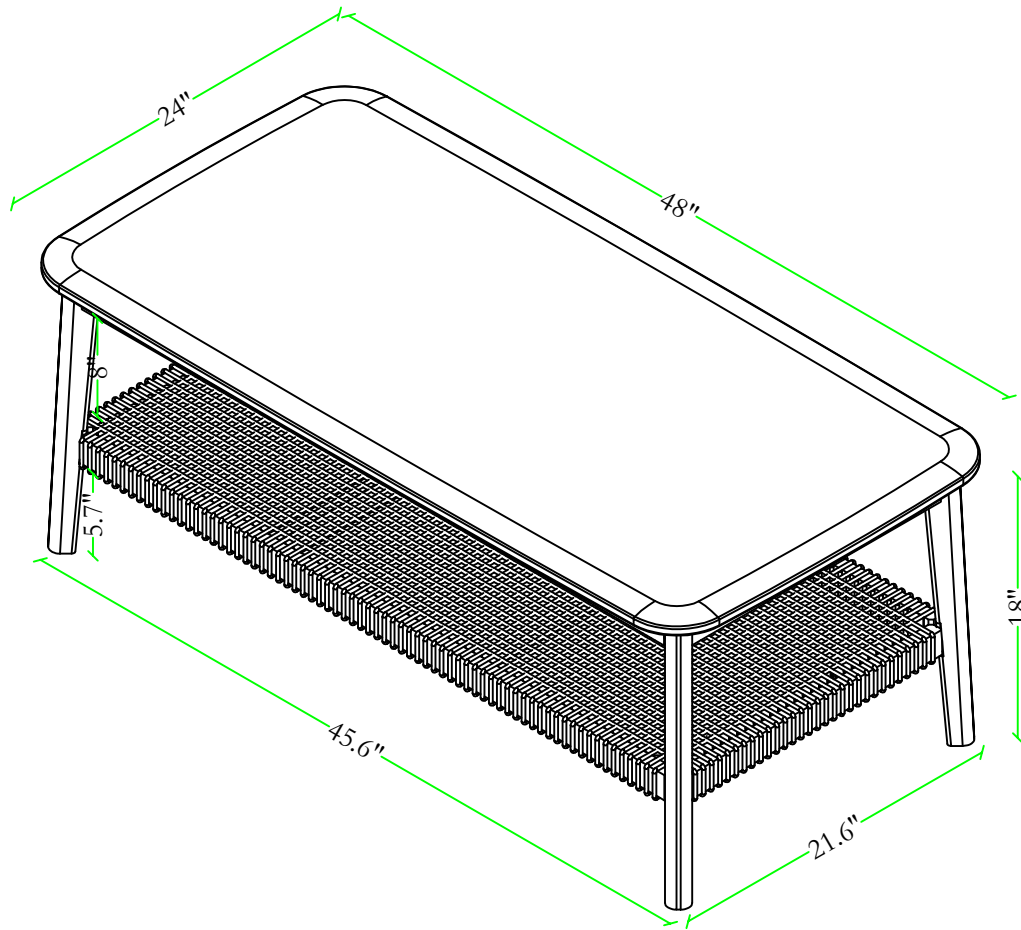
**Note: Don't tighten bolts until completely assembly!**

# Step 02



A		04
M6*50mm Bolt		
B		04
M6 Washer		
C		04
Spring Washer		
D		01
Allen Key		

**Note: Tighten bolts firmly at this time**



Maximum Weight Capacity:  
200lbs