



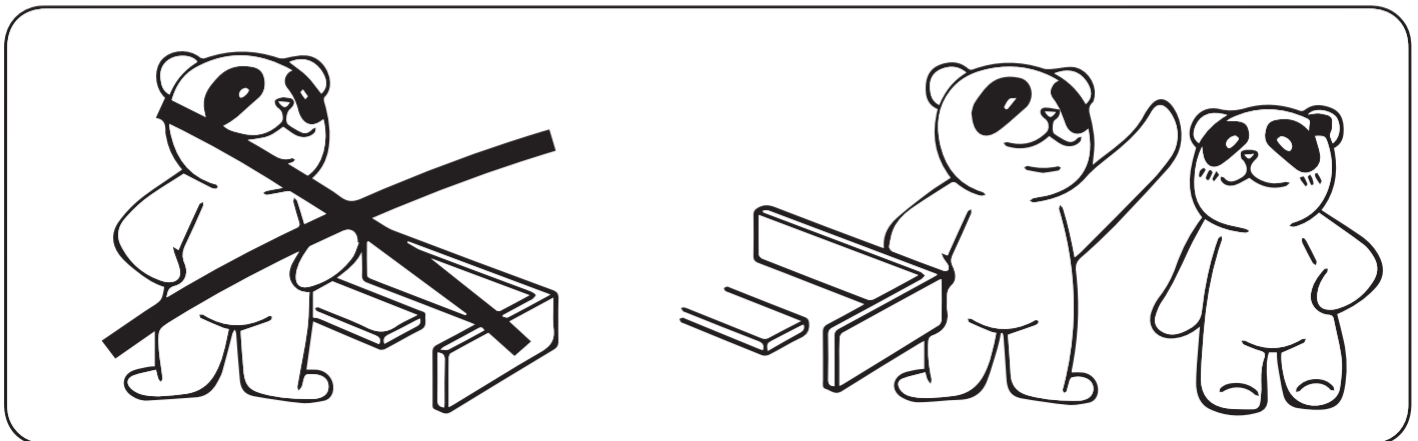
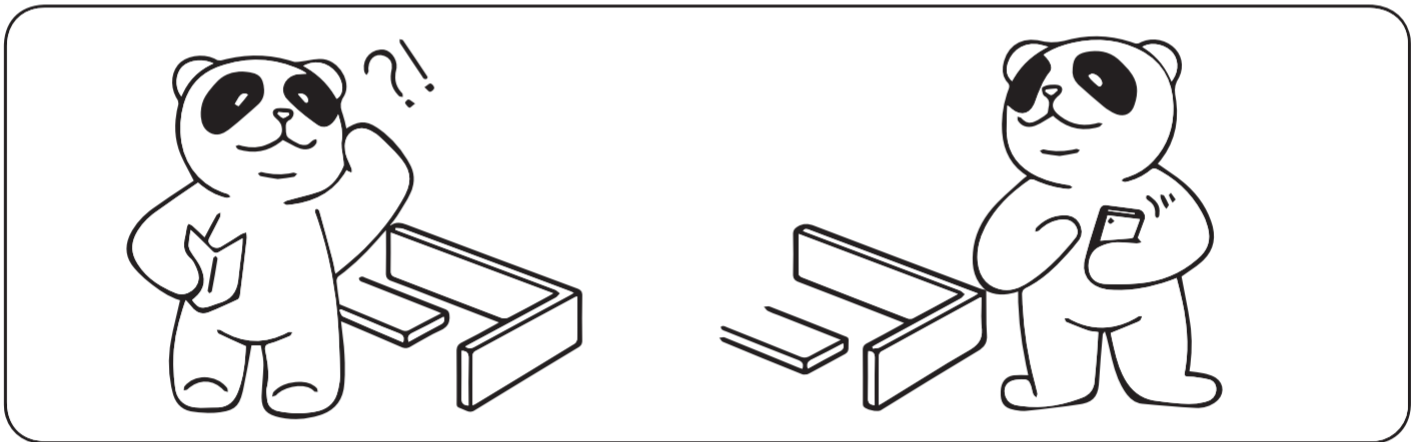
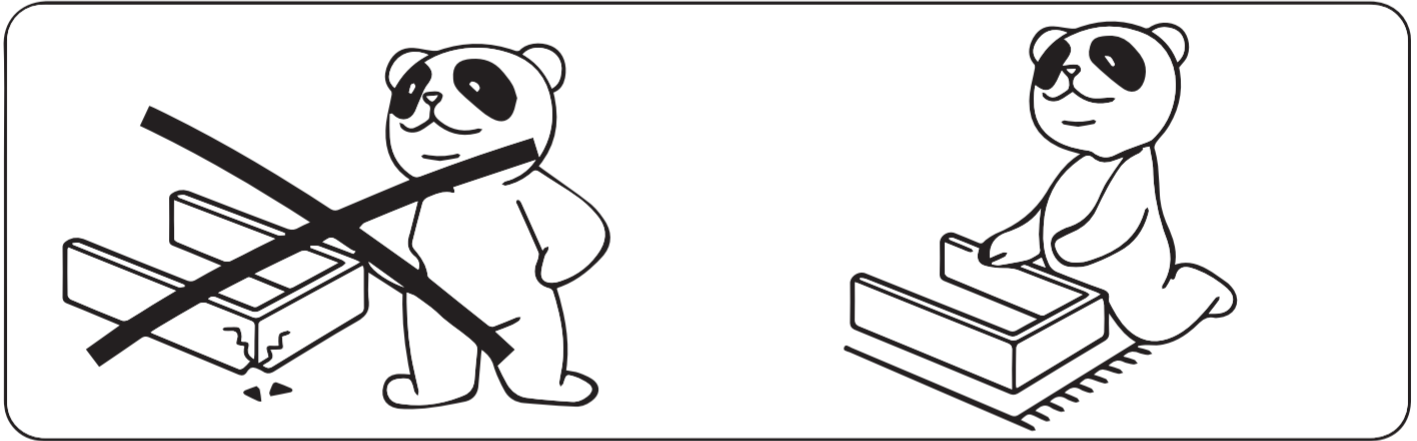
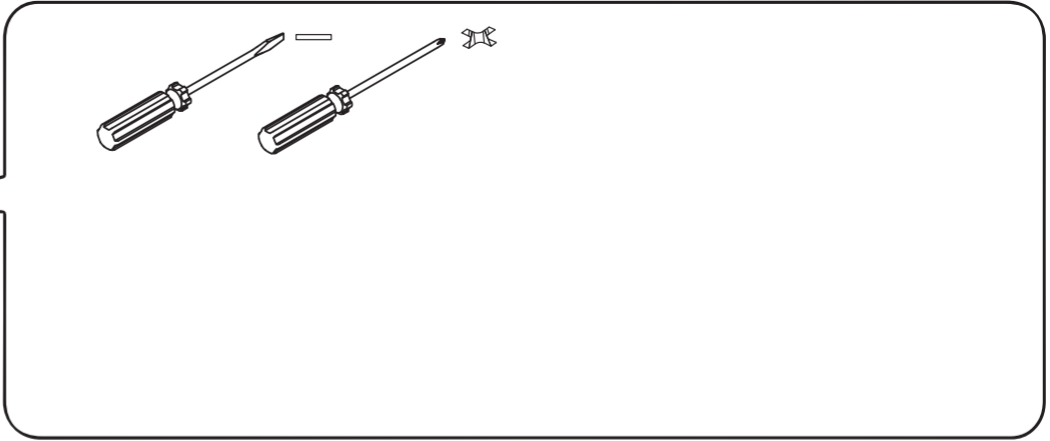
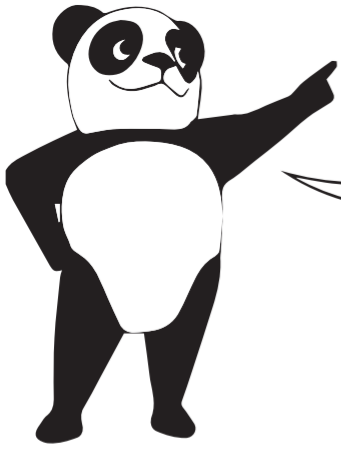
***UBDT88***

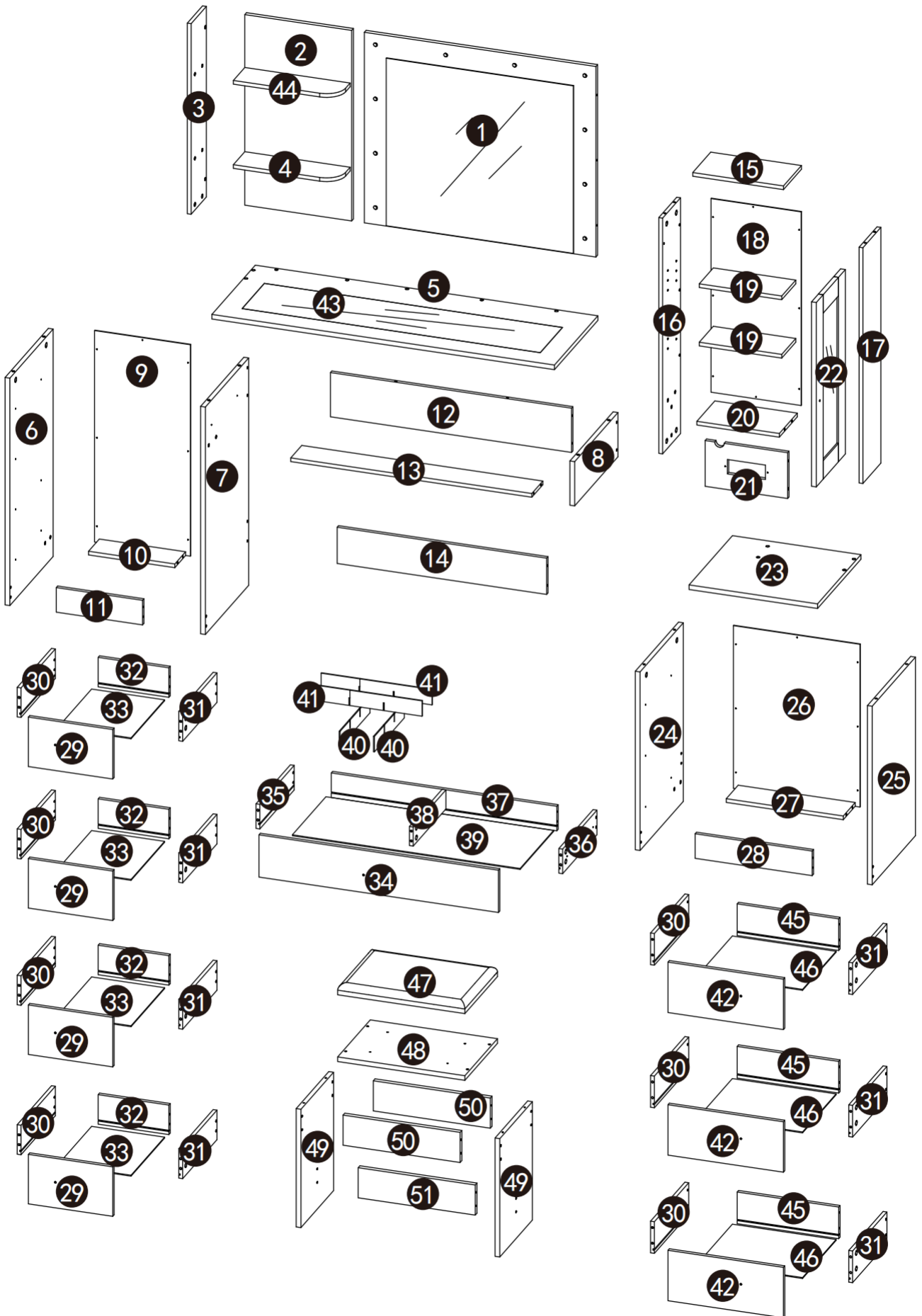
---

***Instruction Manual***

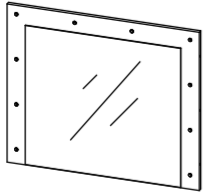
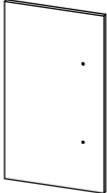


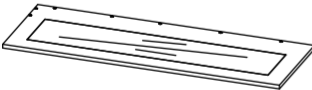


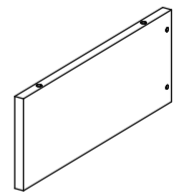
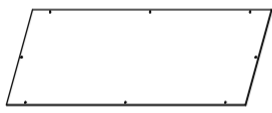


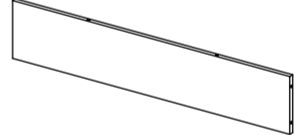
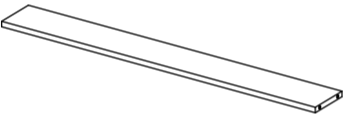
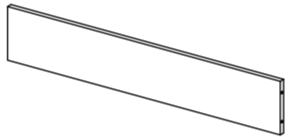

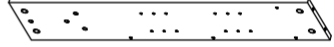

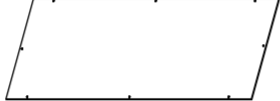
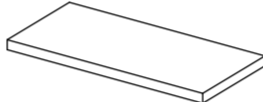
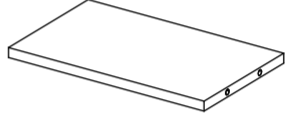
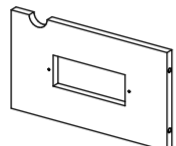
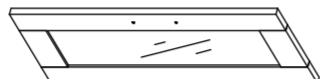
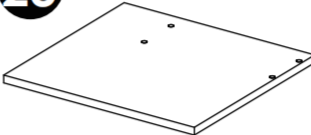
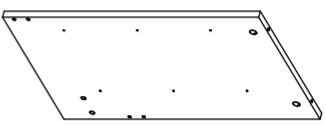
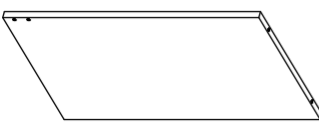

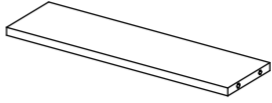
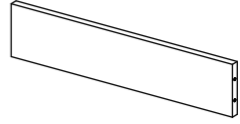
---

Thanks a lot your support and purchasing.  
Please feel free to contact us if you have any questions with assembly or need replacement parts.

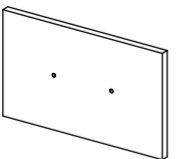
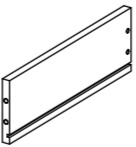
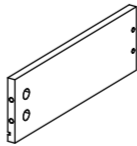
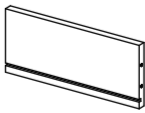
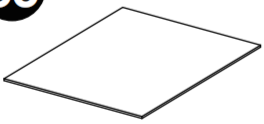
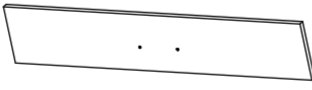
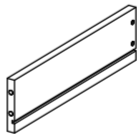
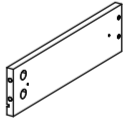
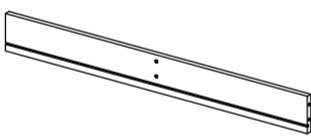
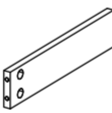

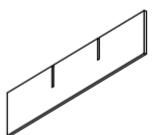
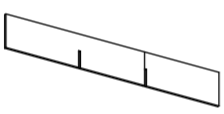
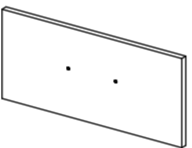



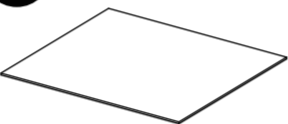
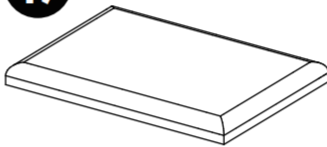
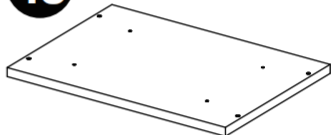
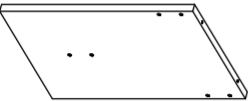
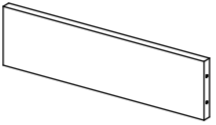
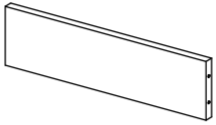







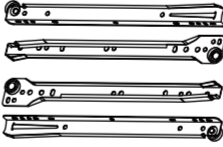
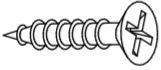
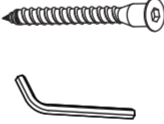

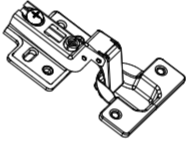





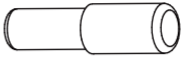
# PARTS LIST

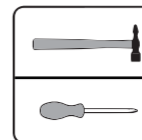
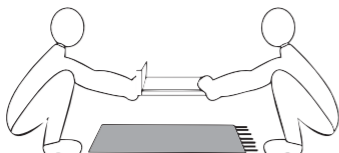
<p><b>1</b></p>  <p>737x639x12mm x1</p>	<p><b>2</b></p>  <p>639x250x12mm x1</p>	<p><b>3</b></p>  <p>640x140x12mm x1</p>	<p><b>4</b></p>  <p>249x126x12mm x1</p>
<p><b>5</b></p>  <p>1000x400x15mm x1</p>	<p><b>6</b></p>  <p>745x399x12mm x1</p>	<p><b>7</b></p>  <p>745x399x12mm x1</p>	<p><b>8</b></p>  <p>399x145x12mm x1</p>
<p><b>9</b></p>  <p>294x692x3mm x1</p>	<p><b>10</b></p>  <p>270x100x12mm x1</p>	<p><b>11</b></p>  <p>270x80x12mm x1</p>	<p><b>12</b></p>  <p>691x145x12mm x1</p>
<p><b>13</b></p>  <p>691x80x15mm x1</p>	<p><b>14</b></p>  <p>606x120x15mm x1</p>	<p><b>15</b></p>  <p>250x140x12mm x1</p>	<p><b>16</b></p>  <p>788x139x12mm x1</p>
<p><b>17</b></p>  <p>788x139x12mm x1</p>	<p><b>18</b></p>  <p>249x640x3mm x1</p>	<p><b>19</b></p>  <p>225x127x12mm x2</p>	<p><b>20</b></p>  <p>225x138x12mm x1</p>
<p><b>21</b></p>  <p>225x160x12mm x1</p>	<p><b>22</b></p>  <p>221x611x12mm x1</p>	<p><b>23</b></p>  <p>350x400x15mm x1</p>	<p><b>24</b></p>  <p>585x399x12mm x1</p>
<p><b>25</b></p>  <p>585x399x12mm x1</p>	<p><b>26</b></p>  <p>346x532x3mm x1</p>	<p><b>27</b></p>  <p>322x100x12mm x1</p>	<p><b>28</b></p>  <p>322x80x12mm x1</p>

# PARTS LIST



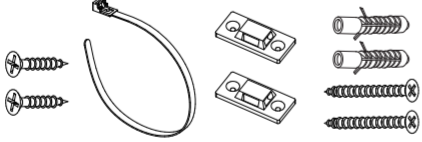


<p><b>29</b></p>  <p>266x163x12mm x4</p>	<p><b>30</b></p>  <p>300x100x12mm x7</p>	<p><b>31</b></p>  <p>300x100x12mm x7</p>	<p><b>32</b></p>  <p>220x100x12mm x4</p>
<p><b>33</b></p>  <p>296x228x3mm x4</p>	<p><b>34</b></p>  <p>687x140x12mm x1</p>	<p><b>35</b></p>  <p>300x100x12mm x1</p>	<p><b>36</b></p>  <p>300x100x12mm x1</p>
<p><b>37</b></p>  <p>641x100x12mm x1</p>	<p><b>38</b></p>  <p>288x83x12mm x1</p>	<p><b>39</b></p>  <p>649x296x3mm x1</p>	<p><b>40</b></p>  <p>287x60x5mm x2</p>
<p><b>41</b></p>  <p>313x60x5mm x2</p>	<p><b>42</b></p>  <p>318x165x12mm x3</p>	<p><b>43</b></p>  <p>x1</p>	<p><b>44</b></p>  <p>249x126x12mm x1</p>
<p><b>45</b></p>  <p>272x100x12mm x3</p>	<p><b>46</b></p>  <p>296x280x3mm x3</p>	<p><b>47</b></p>  <p>400x300x40mm x1</p>	<p><b>48</b></p>  <p>400x300x12mm x1</p>
<p><b>49</b></p>  <p>400x280x12mm x2</p>	<p><b>50</b></p>  <p>356x96x12mm x2</p>	<p><b>51</b></p>  <p>356x100x12mm x1</p>	

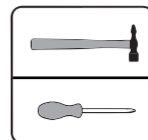
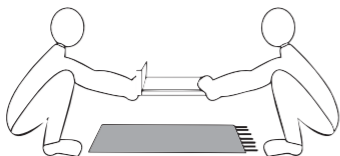
# HARDWARE LIST

<p><b>A</b>  6x40 <b>x89</b></p>	<p><b>B</b>  15x11 <b>x89</b></p>
<p><b>C</b>  12inches <b>x2</b></p>	<p><b>D=CL+DL+CR+DR</b>   12inches <b>x7</b></p>
<p><b>E</b>  M3.5x12 <b>x84</b></p>	<p><b>F</b>  M5x40/#3 <b>x71/x1</b></p>
<p><b>G</b>  <b>x12</b></p>	<p><b>H</b>  Hinge <b>x2</b></p>
<p><b>J</b>  96mm <b>x9</b></p>	<p><b>K</b>  <b>x1</b></p>
<p><b>L</b>  21mm <b>x20</b></p>	<p><b>M</b>  M4x14 <b>x18</b></p>
<p><b>N</b>  M3x14 <b>x24</b></p>	<p><b>O</b>  <b>x9</b></p>



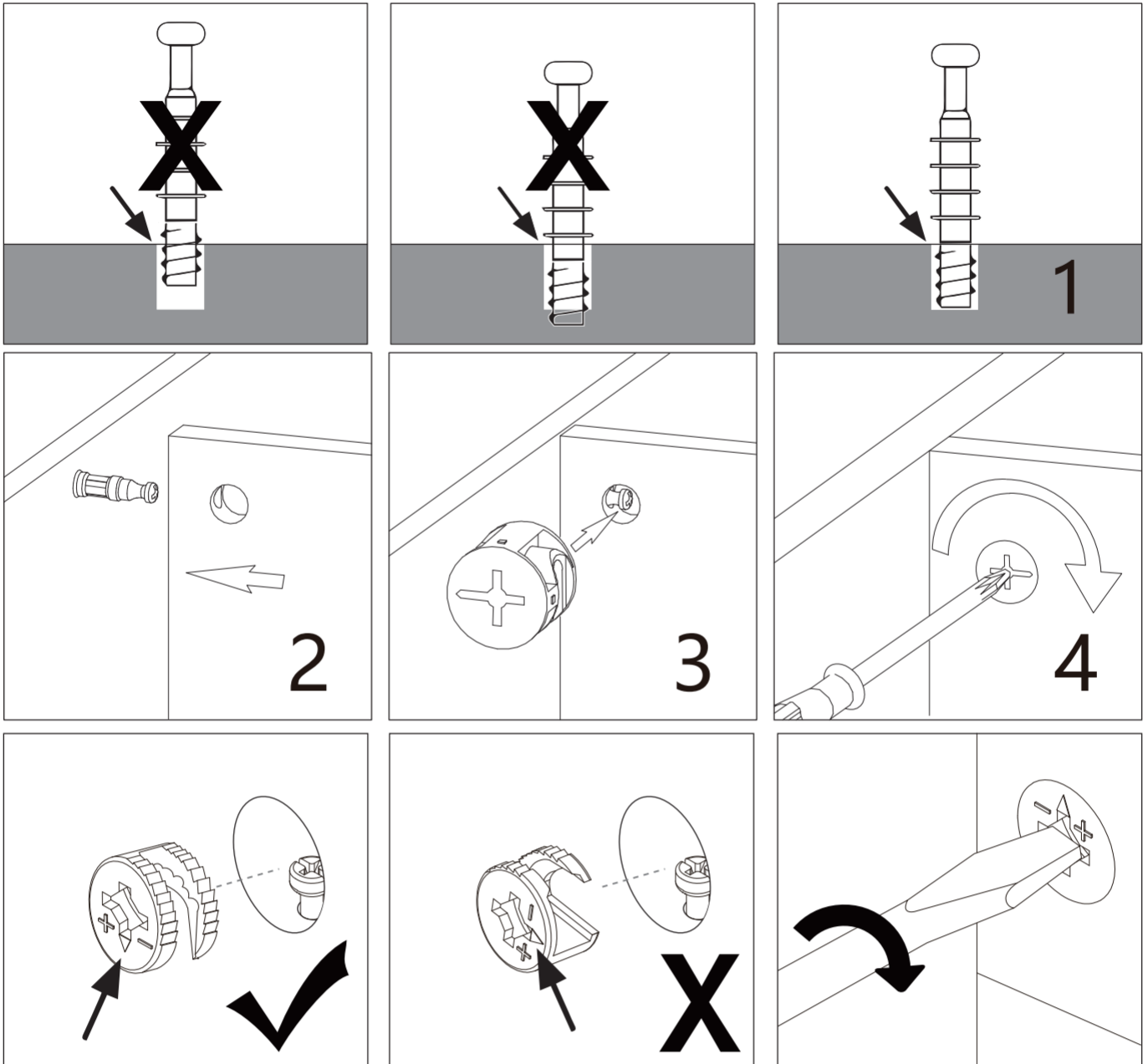
# HARDWARE LIST

<b>P</b>  <b>x3</b>	<b>Q</b>  M3.5x25mm <b>x4</b>
<b>R</b>  <b>x1</b>	<b>S</b>  <b>x1</b>
<b>T</b>  <b>x5</b>	

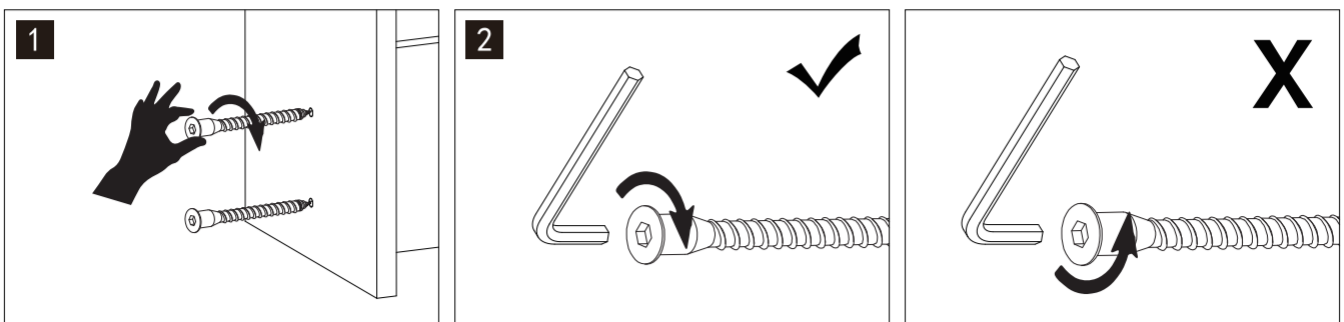


# Hardware installation indication

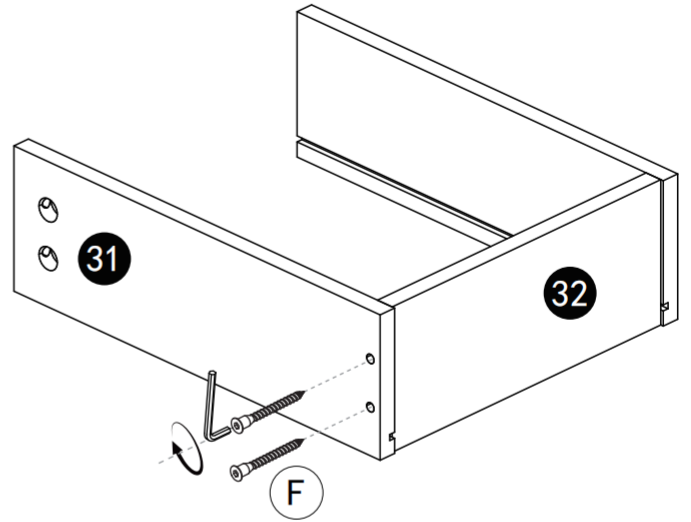
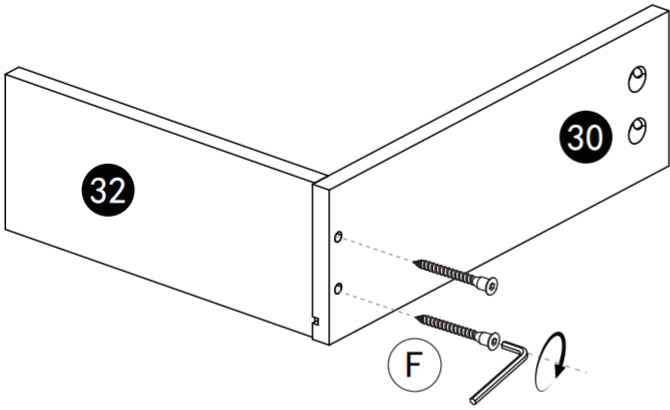
## Installation method of three in one rod and buckle



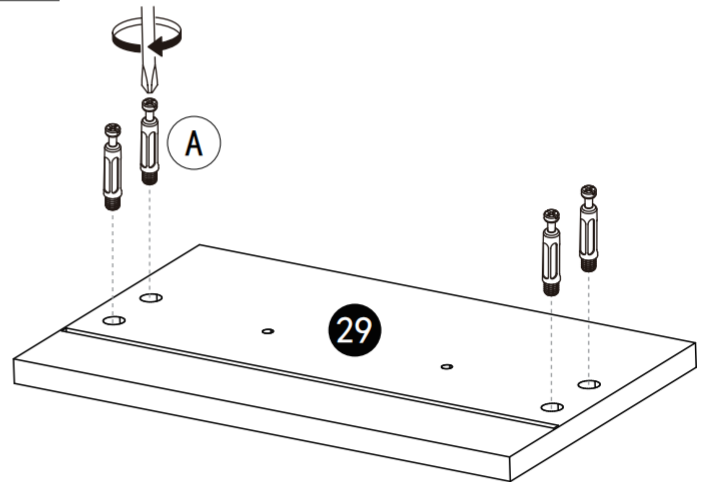
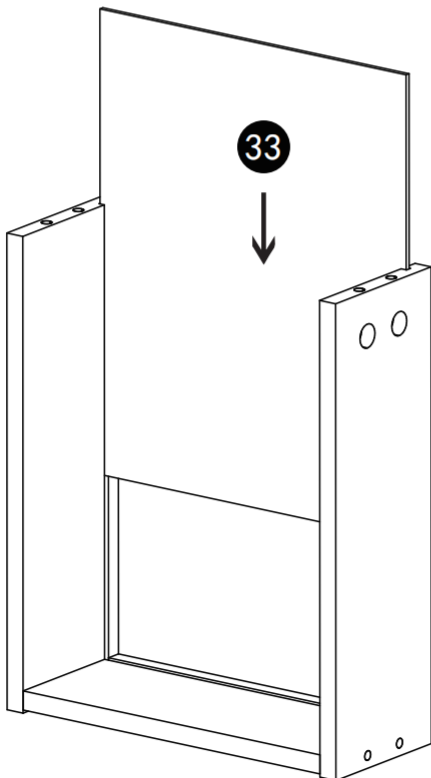
## Screw installation method





1

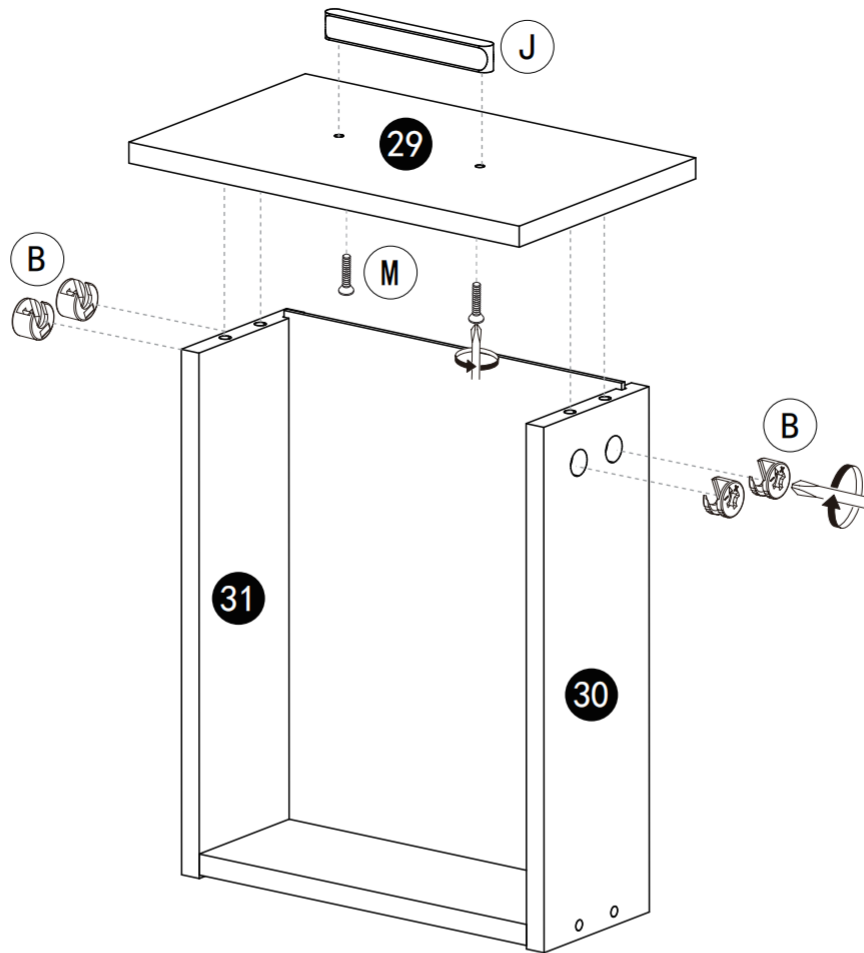





X4



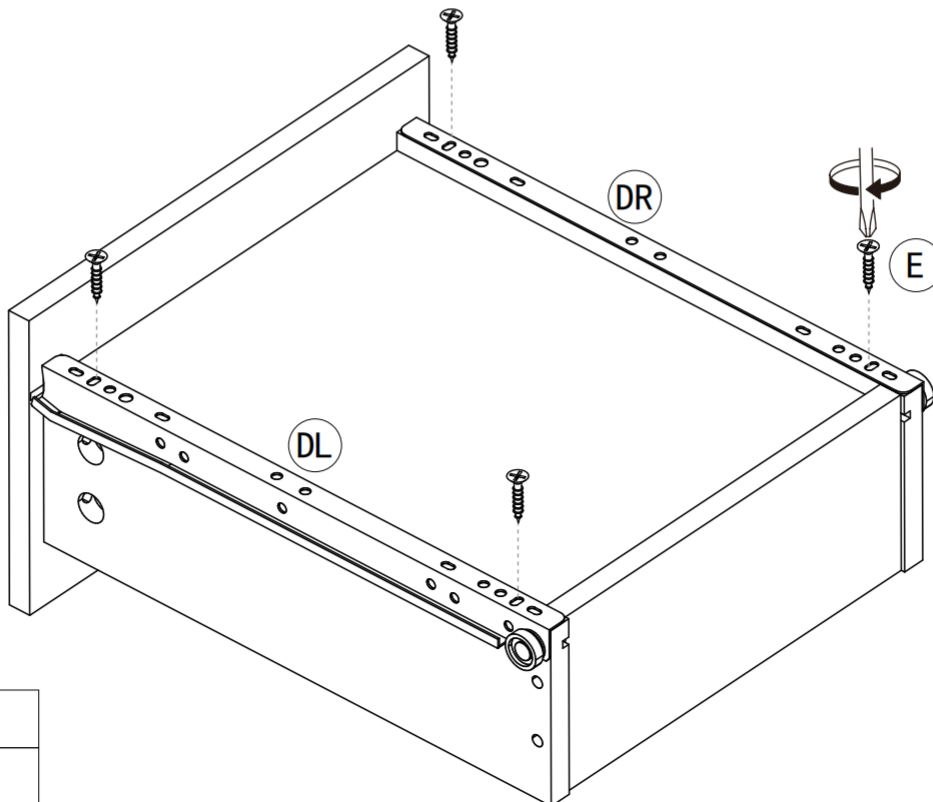
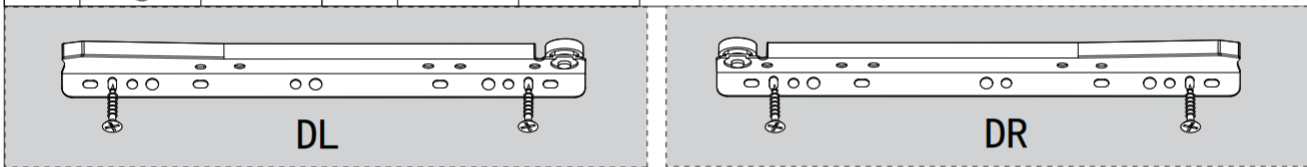
A		x16
F		x16




2



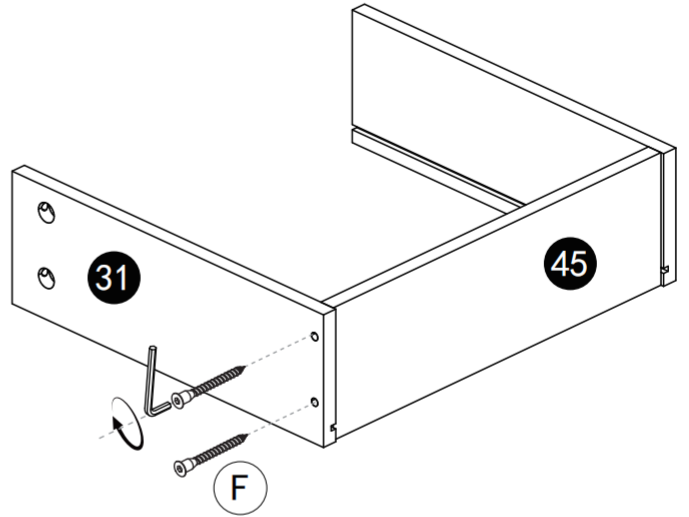
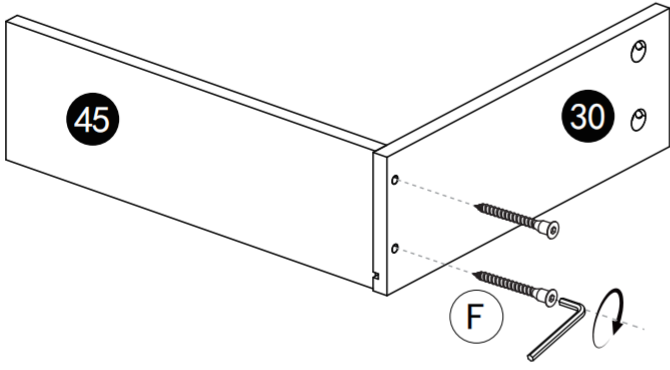
M		x8	J		x4
B		x16			

X4

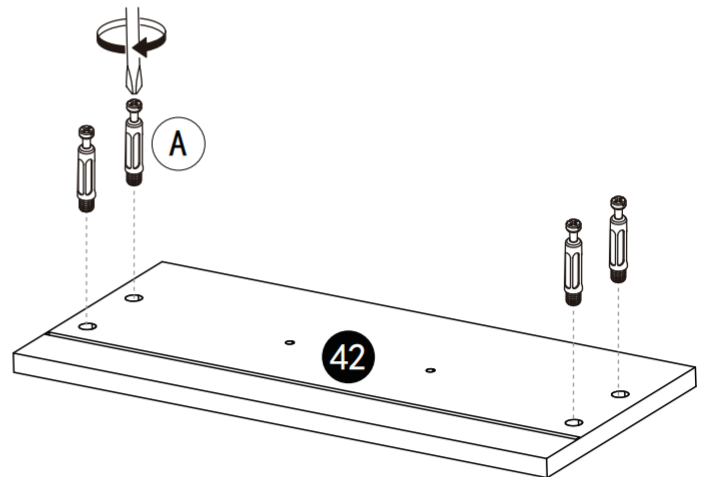
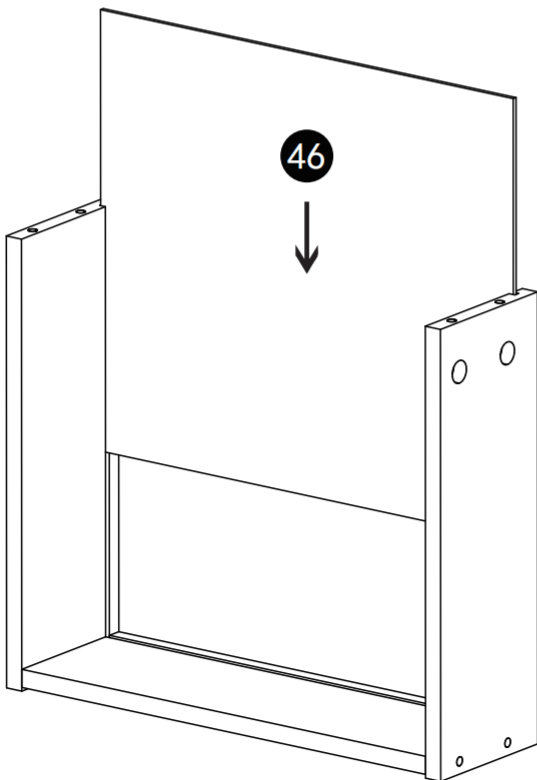




DL		x4
DR		x4
E		x16

3

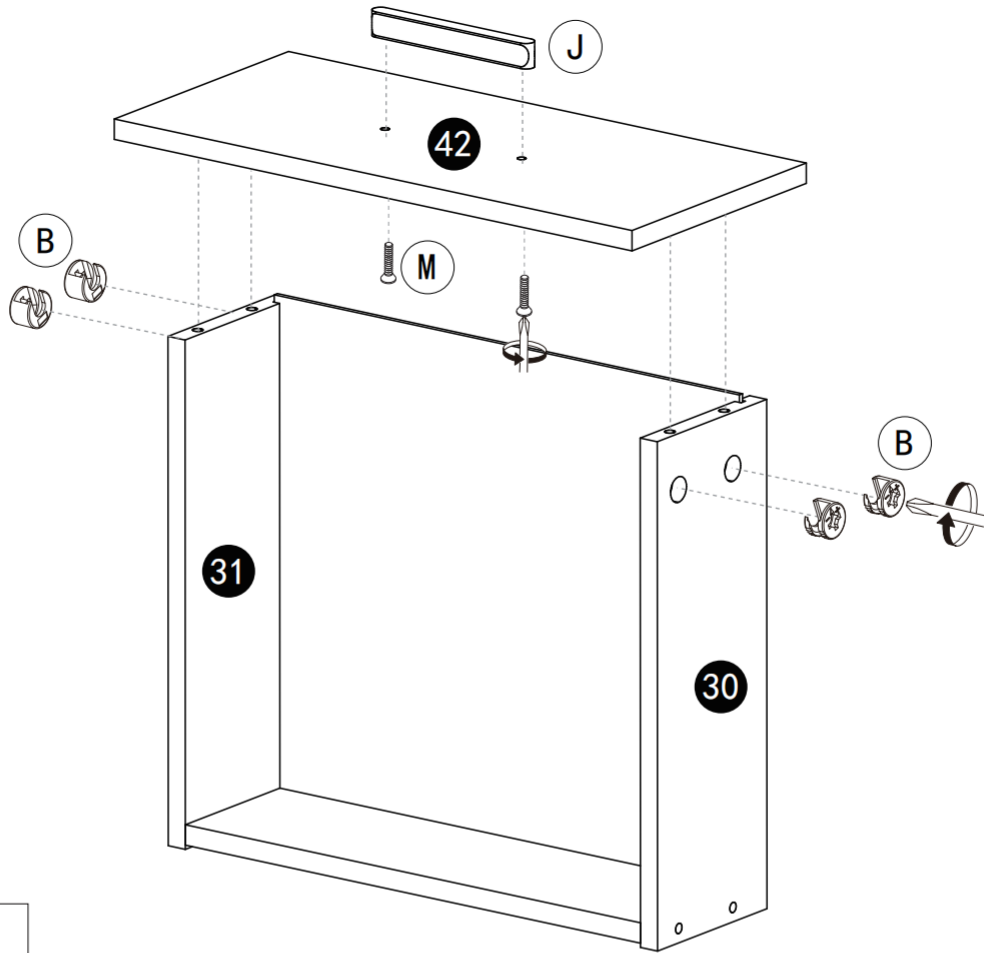


X3



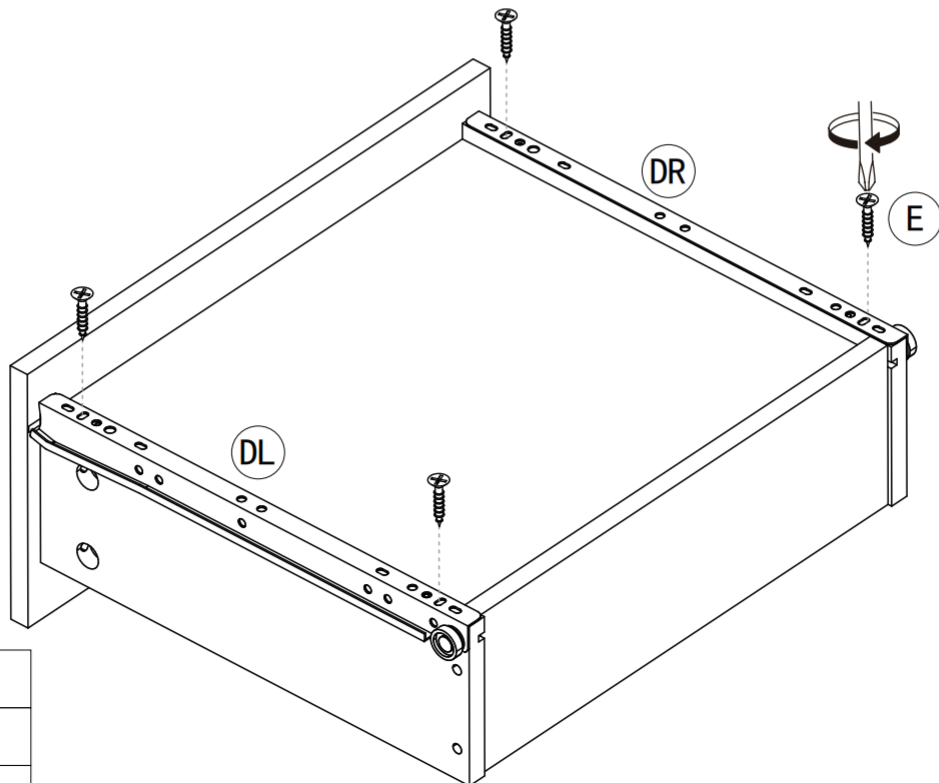
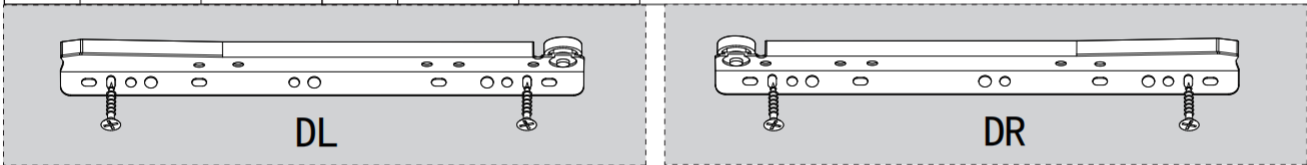
A		x12
F		x12

4



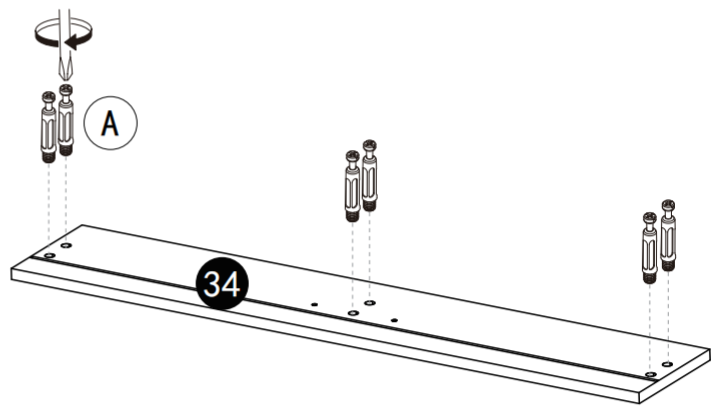
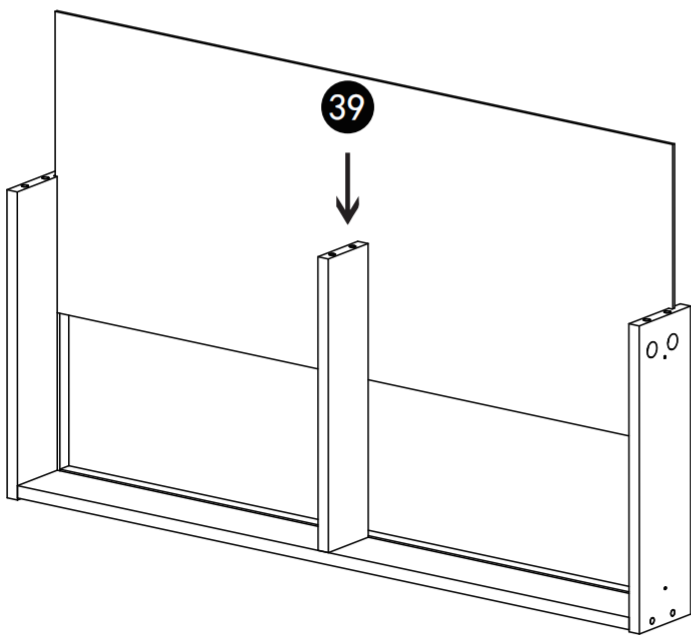
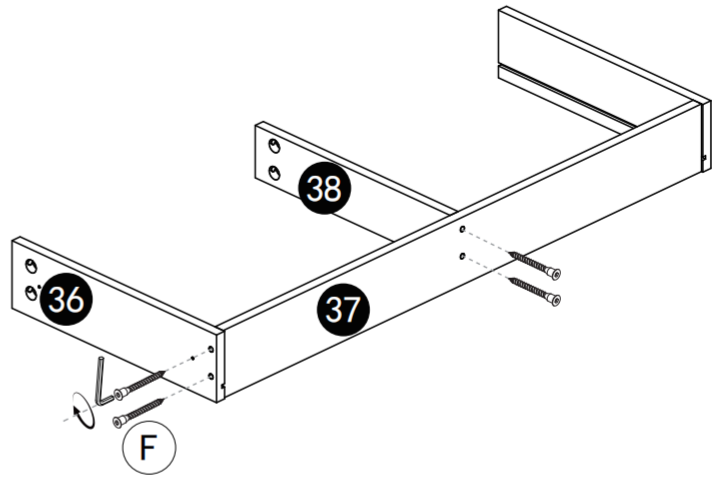
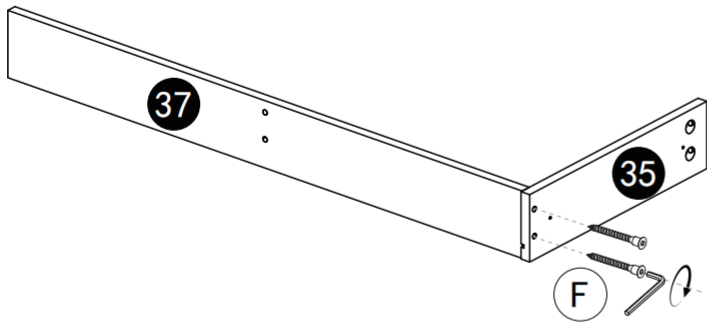
M		x6	J		x3
B		x12			



**X3**



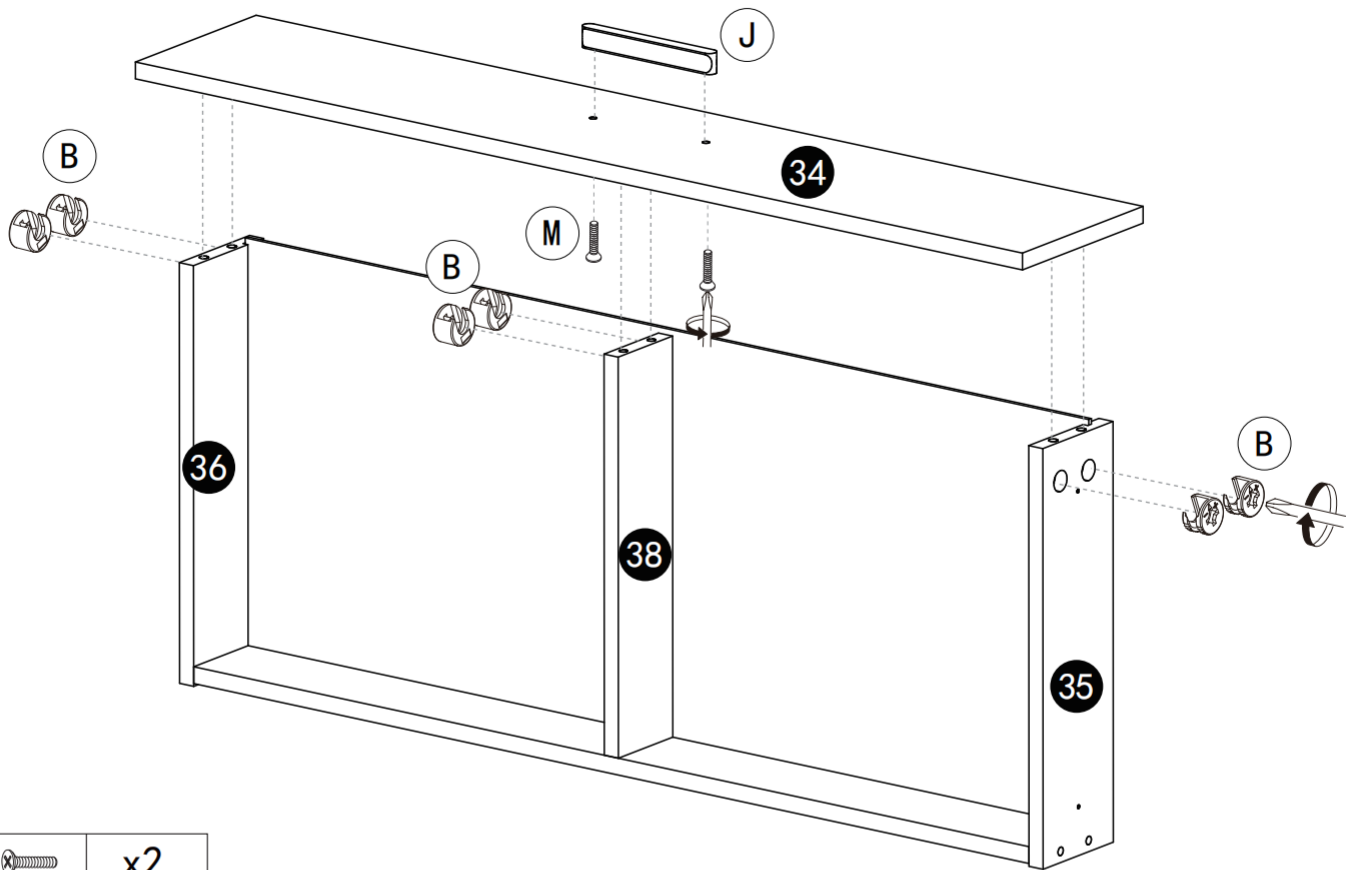
DL		x3
DR		x3
E		x12

5

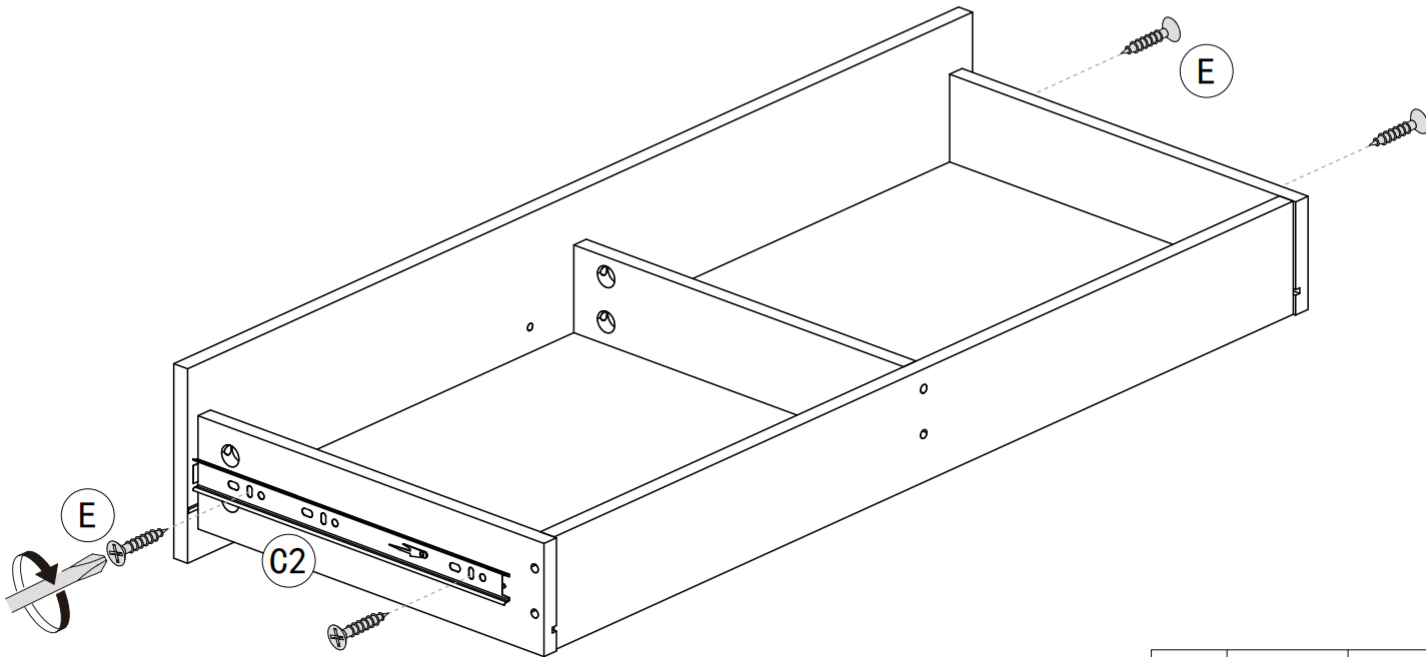
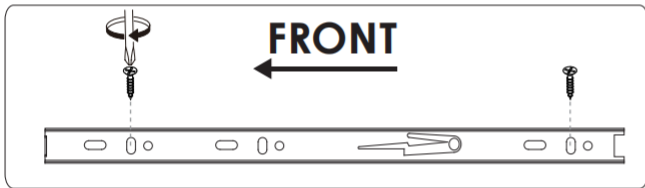


A		x6
F		x6

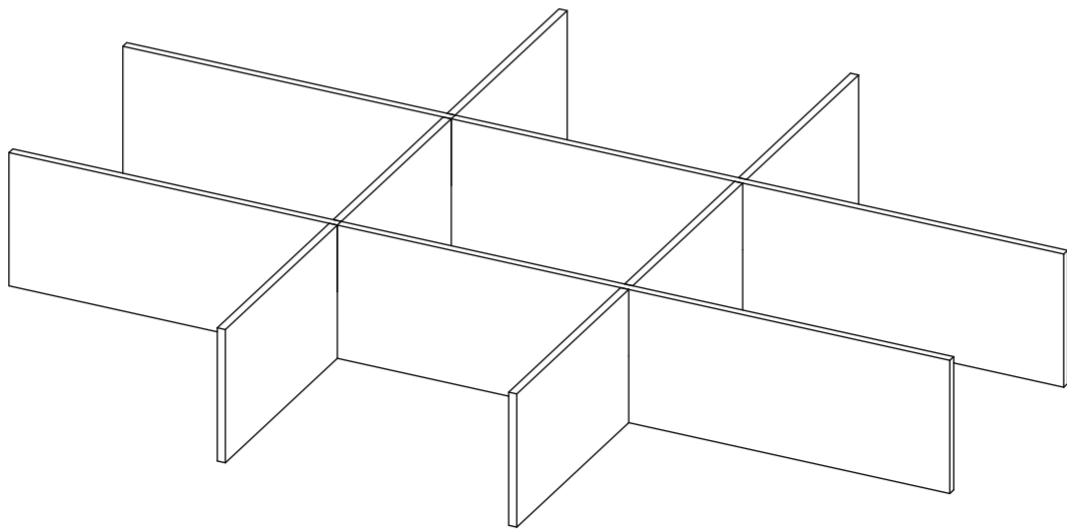
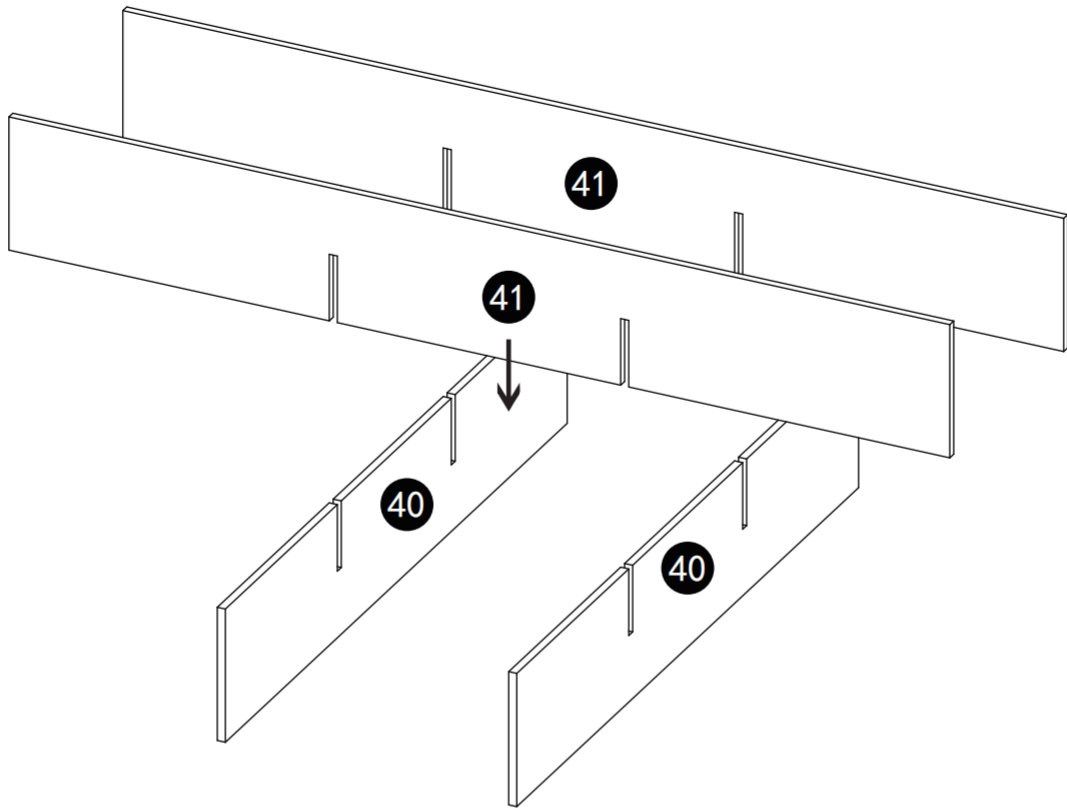
# 6

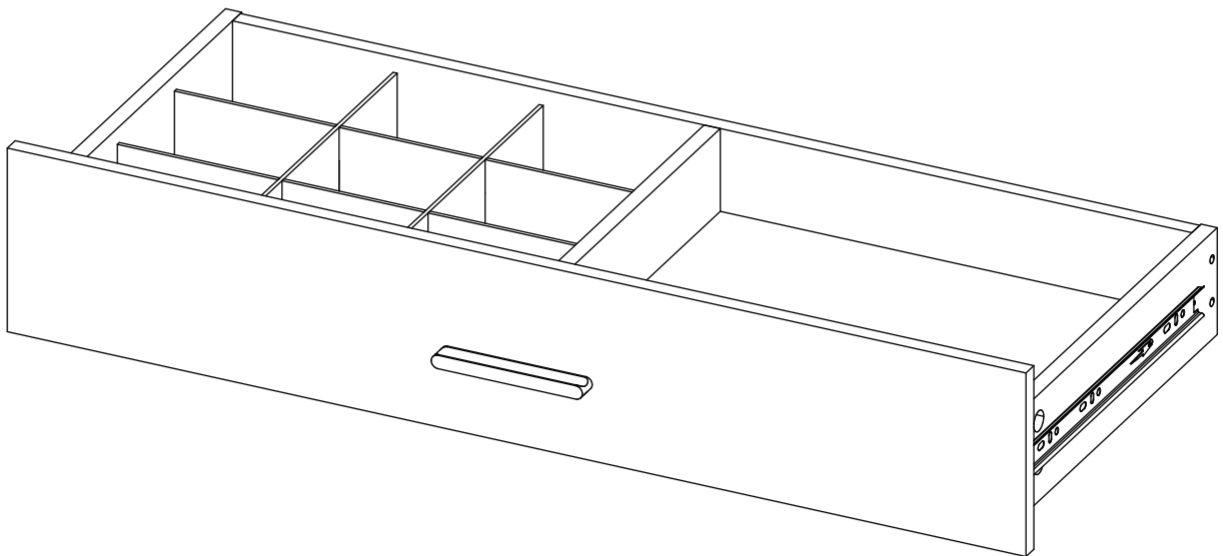
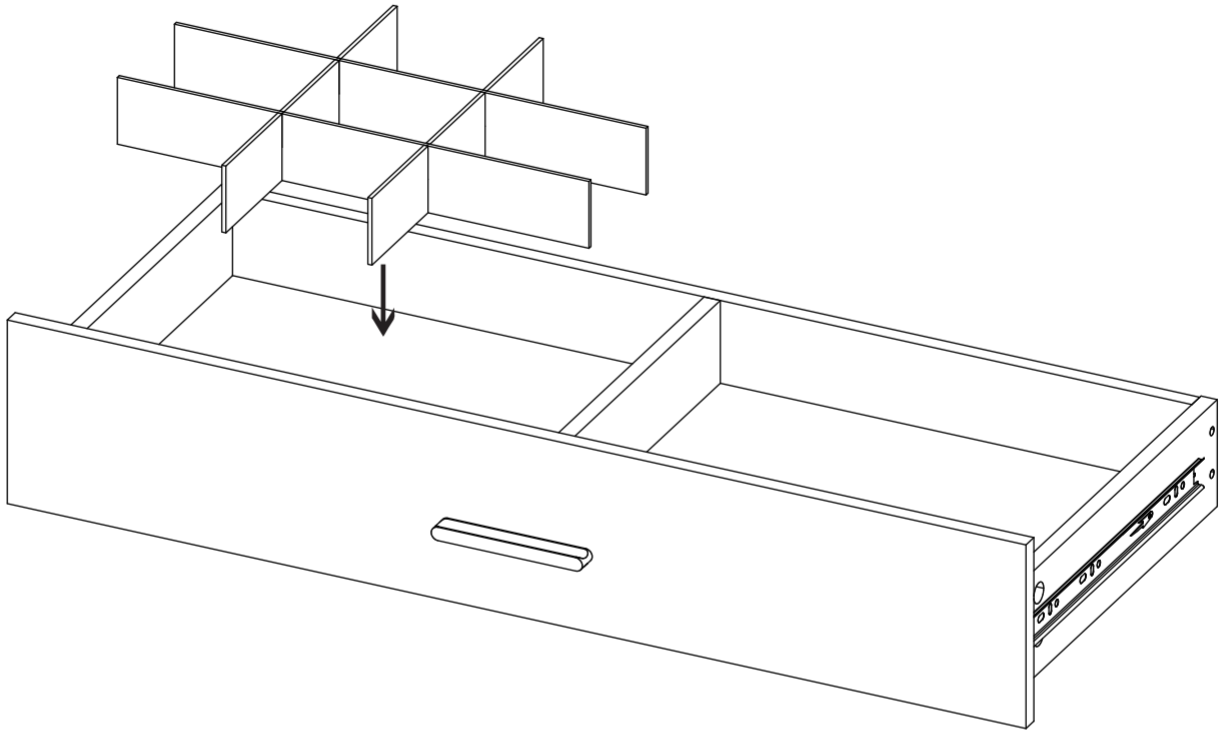


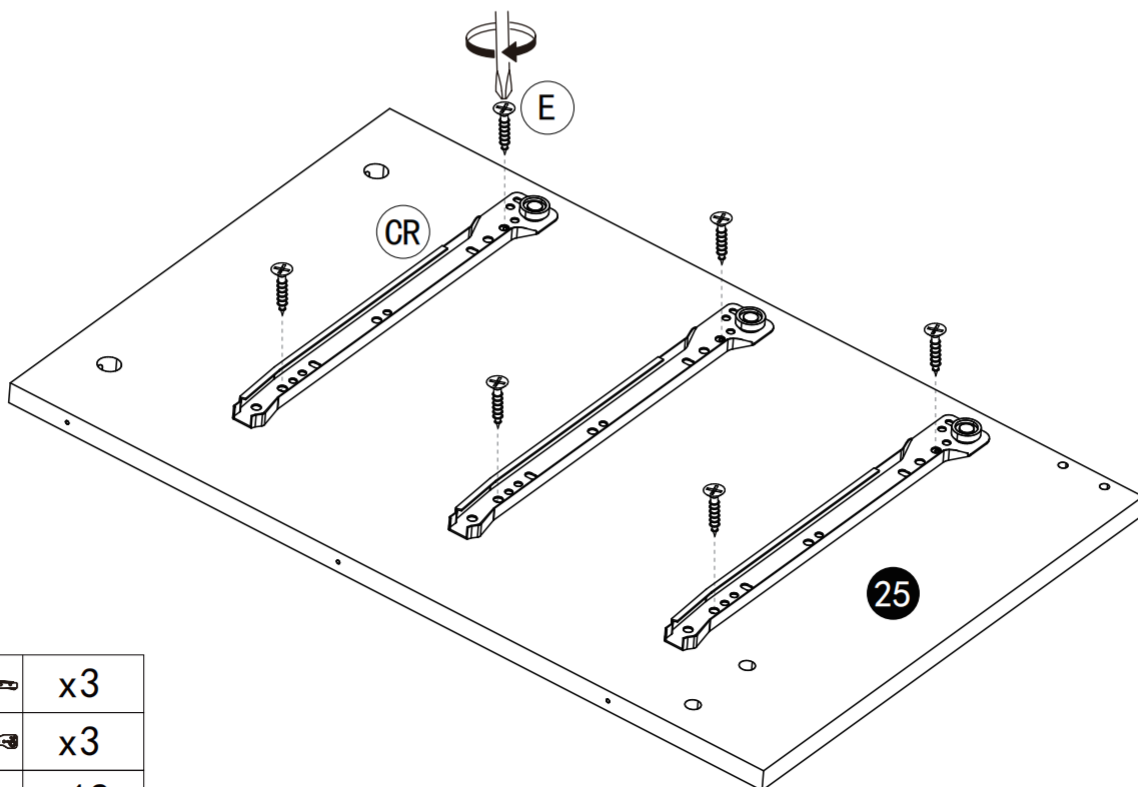
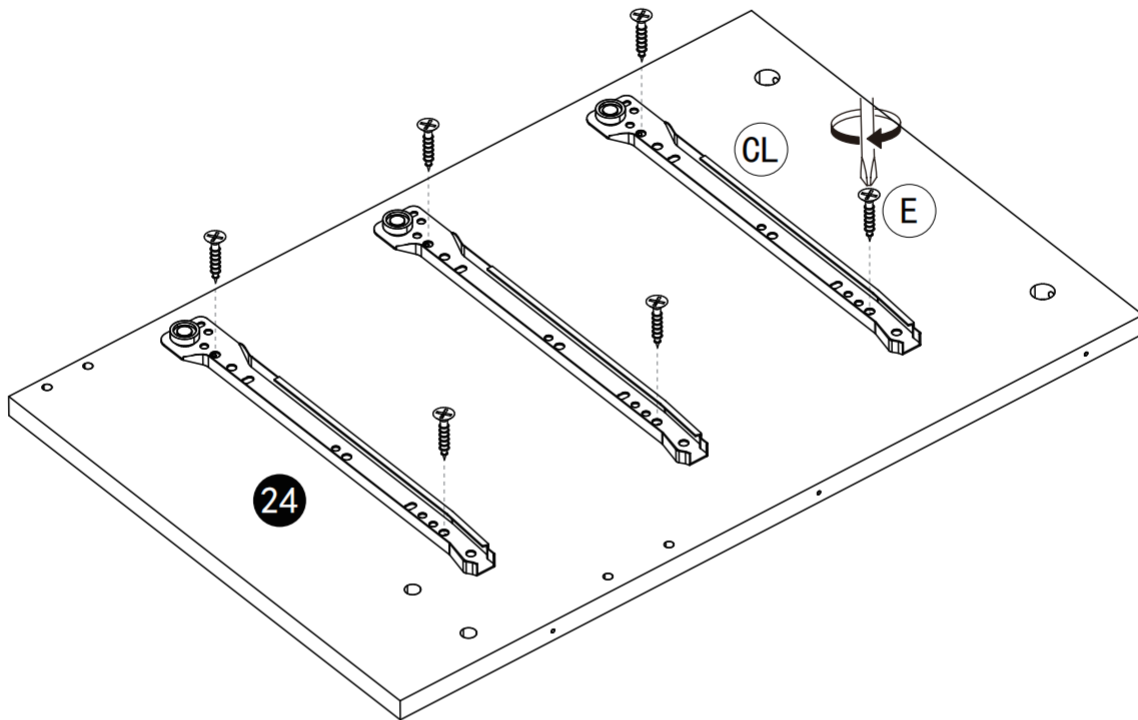
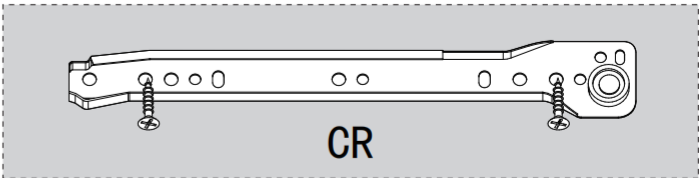
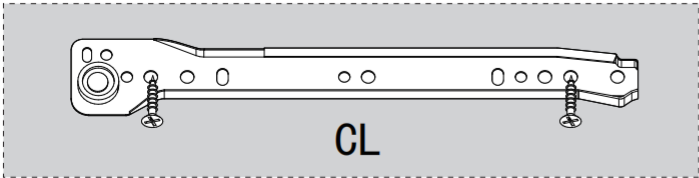
M		x2			
B		x6	J		x1



C2		x2
E		x4





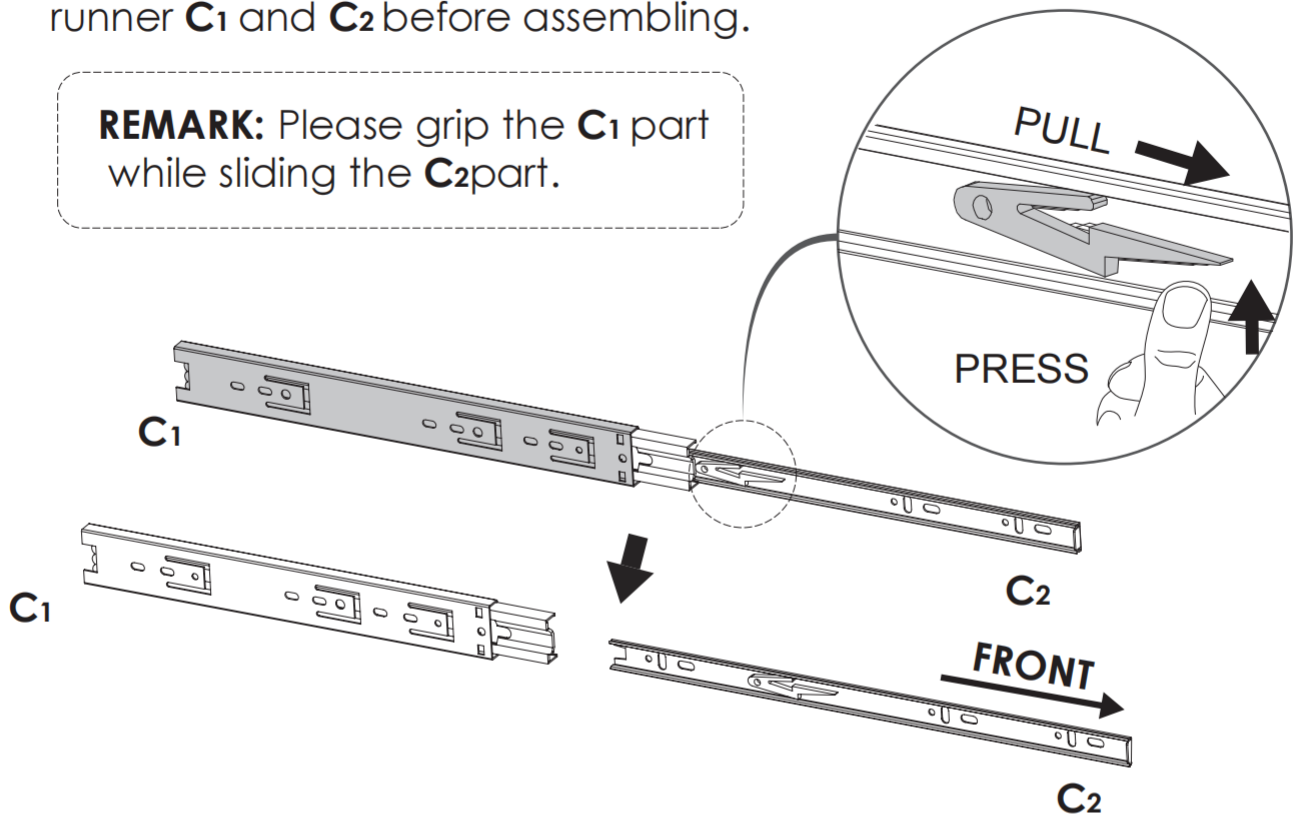


CL		x3
CR		x3
E		x12

# INSTALLATION STEPS

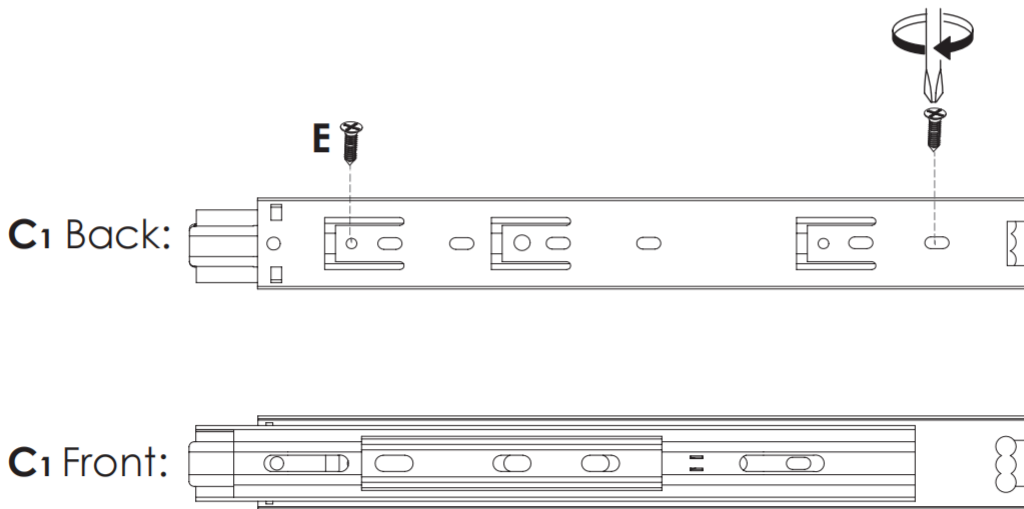
Press the plastic part in the indicated direction to separate drawer runner **C1** and **C2** before assembling.

**REMARK:** Please grip the **C1** part while sliding the **C2** part.

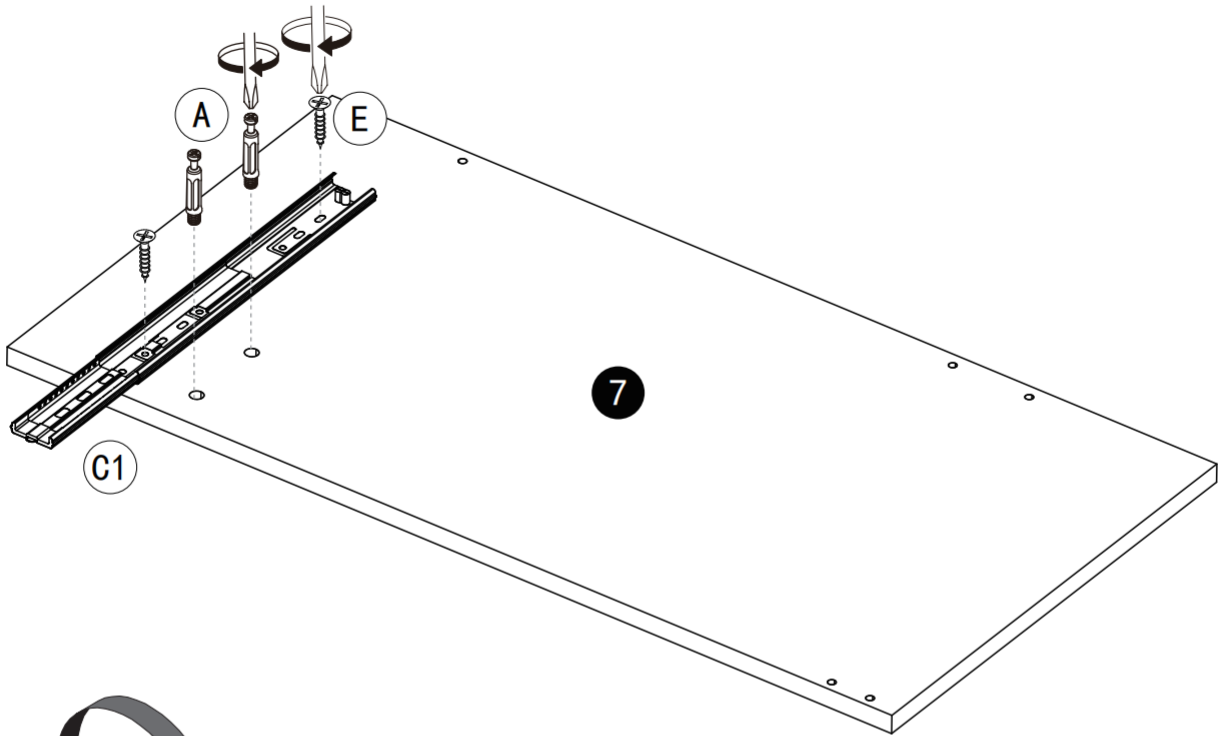
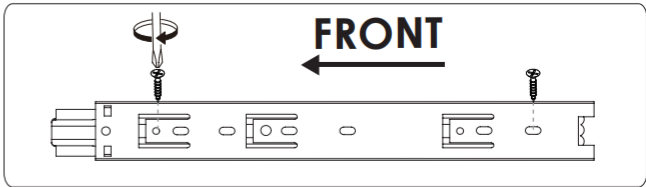


**REMARK:**

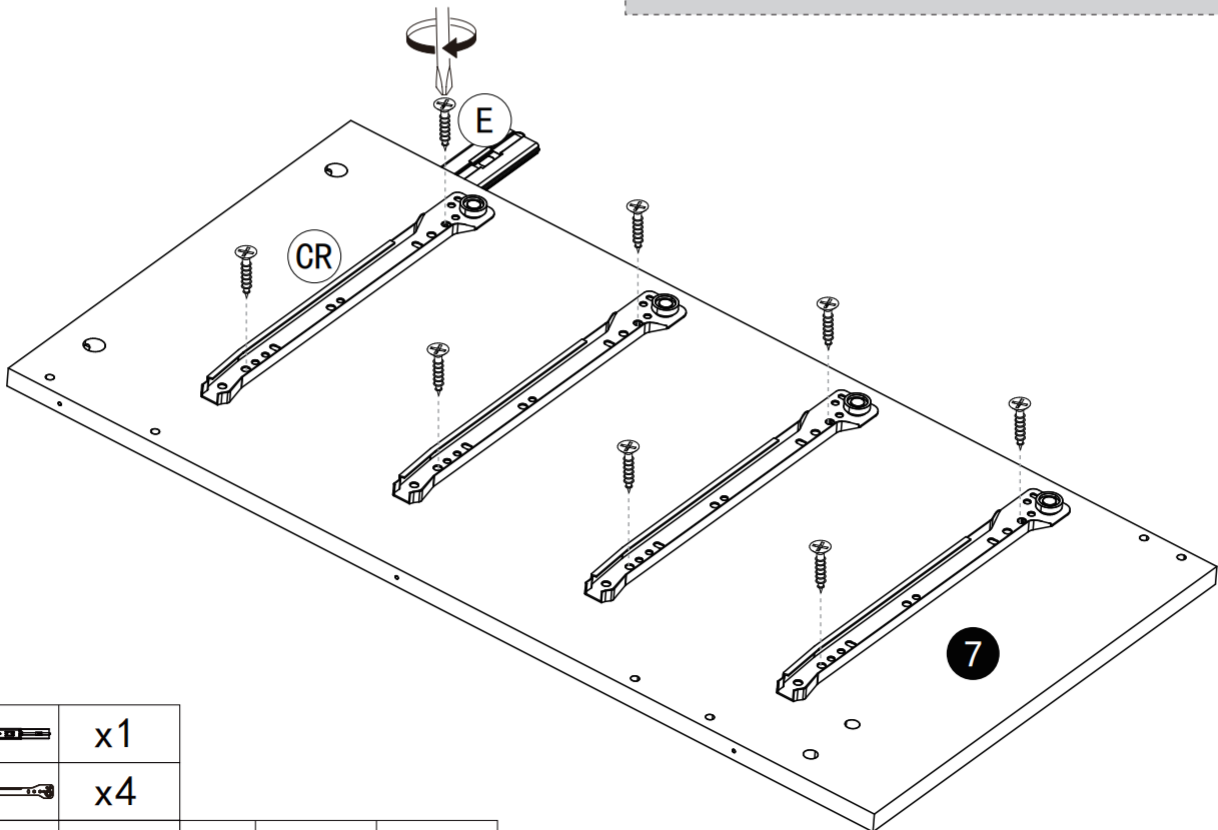
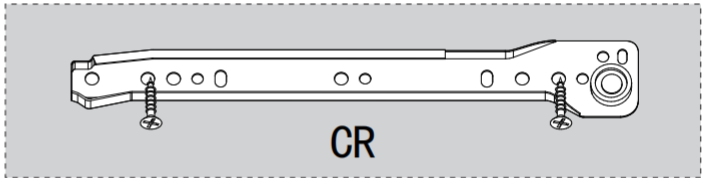
1. Please locate the holes from the back of part **C1**.



2. But install part **E** from the front of part **C1**.

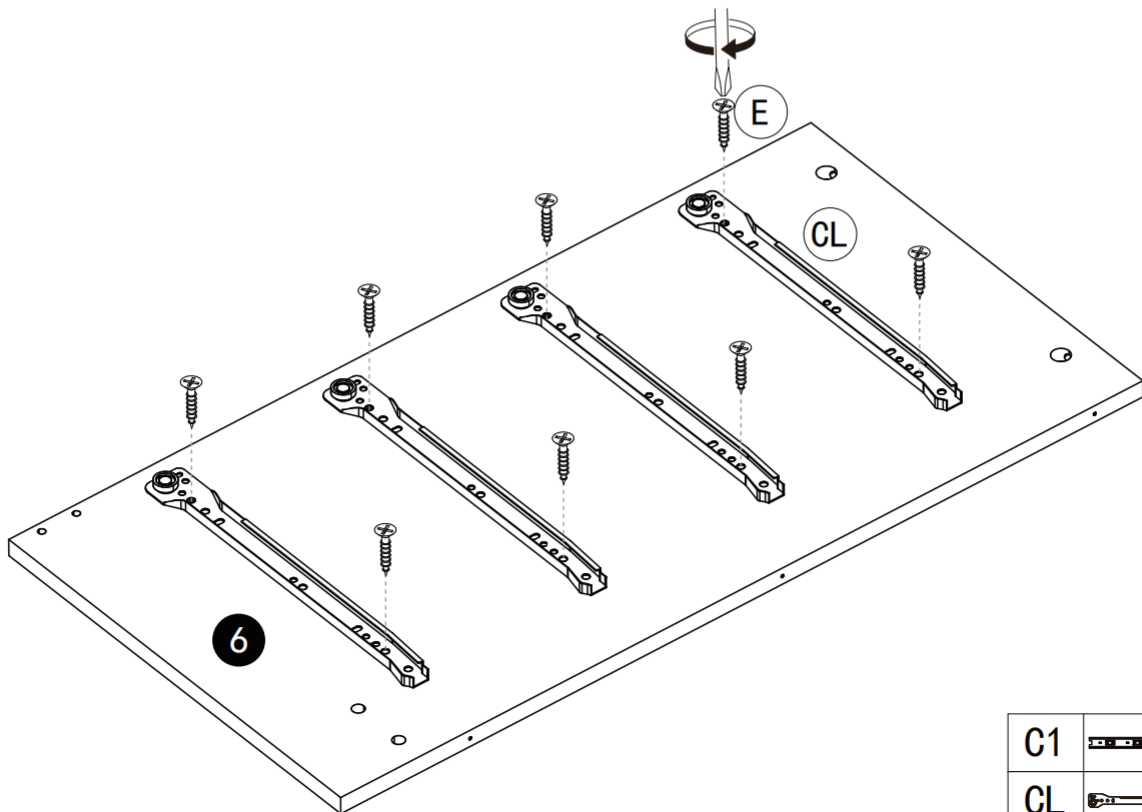
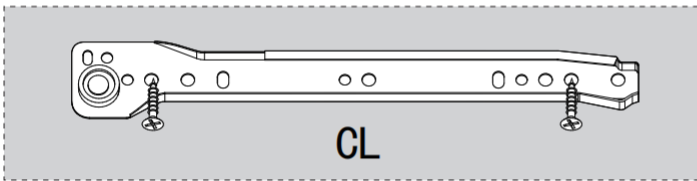
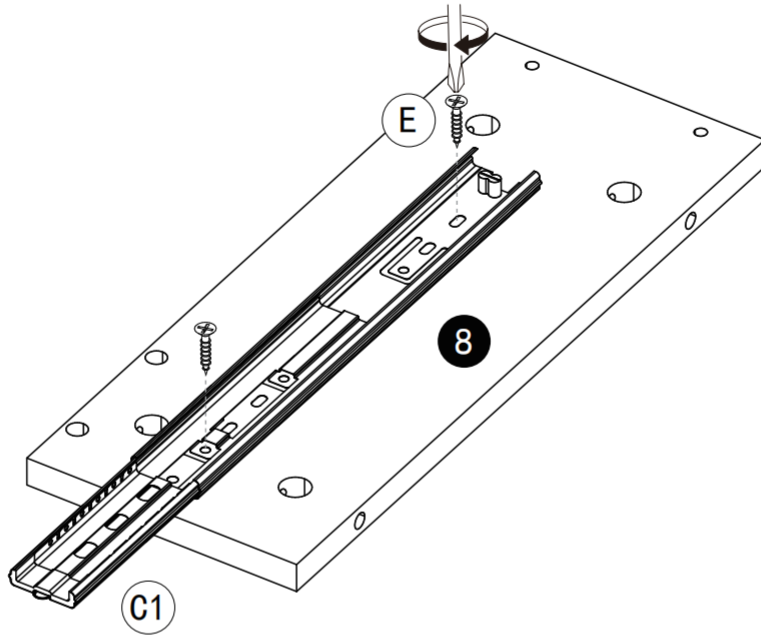
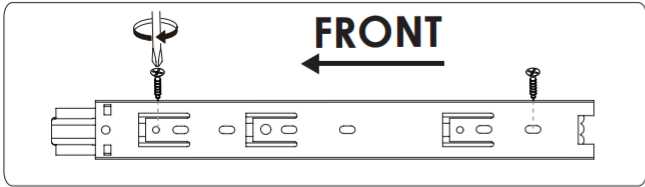


flip over



C1		x1
CR		x4
E		x10

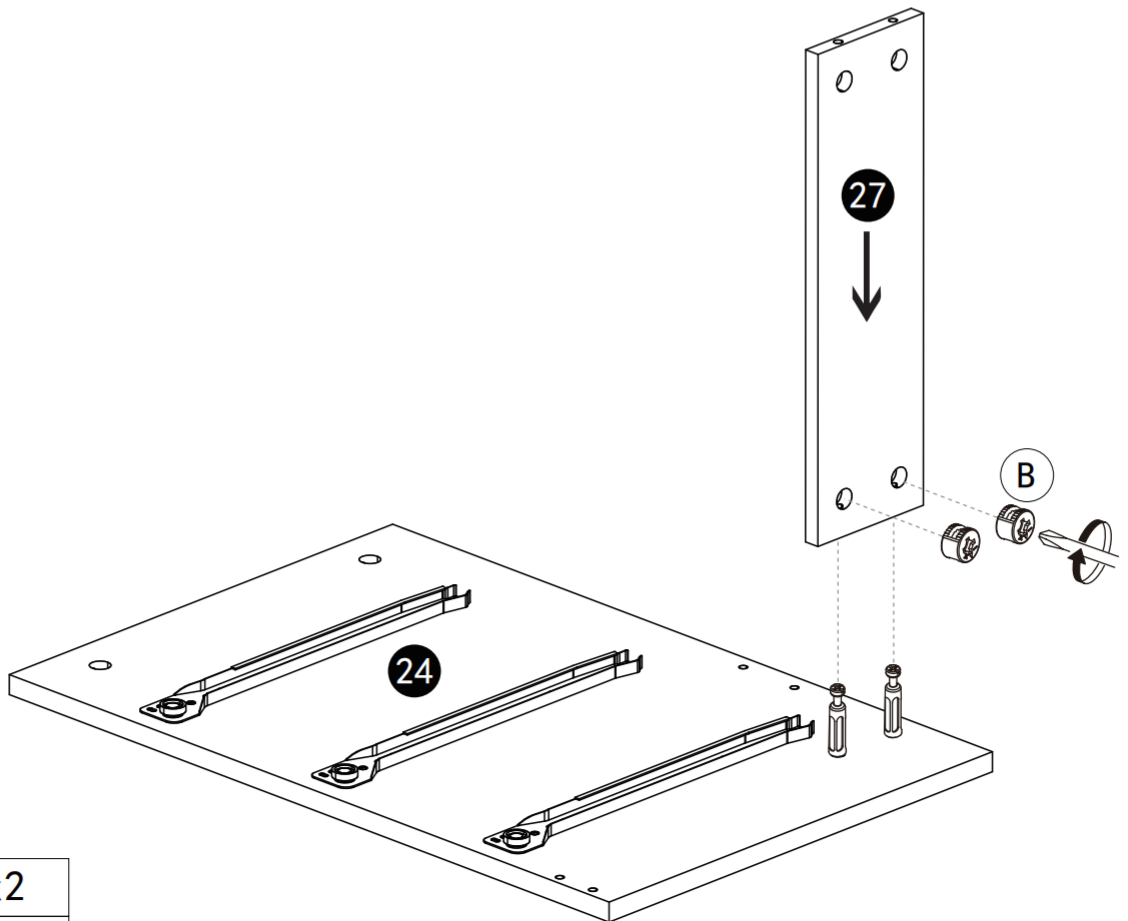
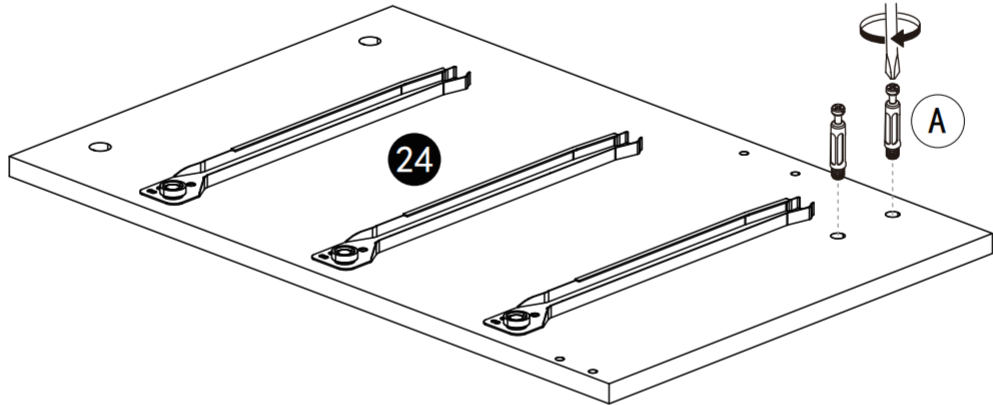
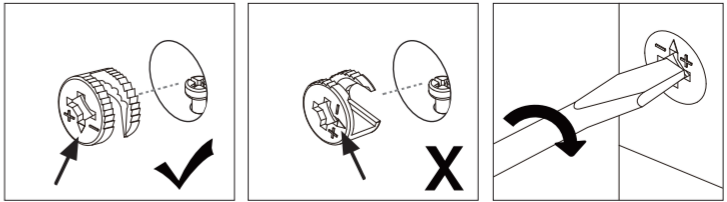
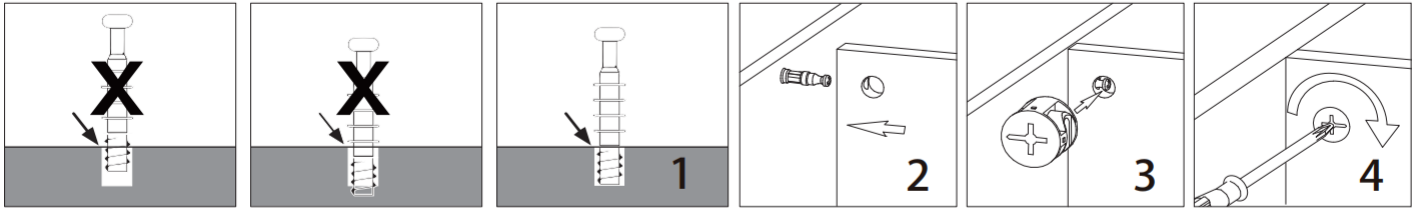
A		x2
---	--	----





C1		x1
CL		x4
E		x10

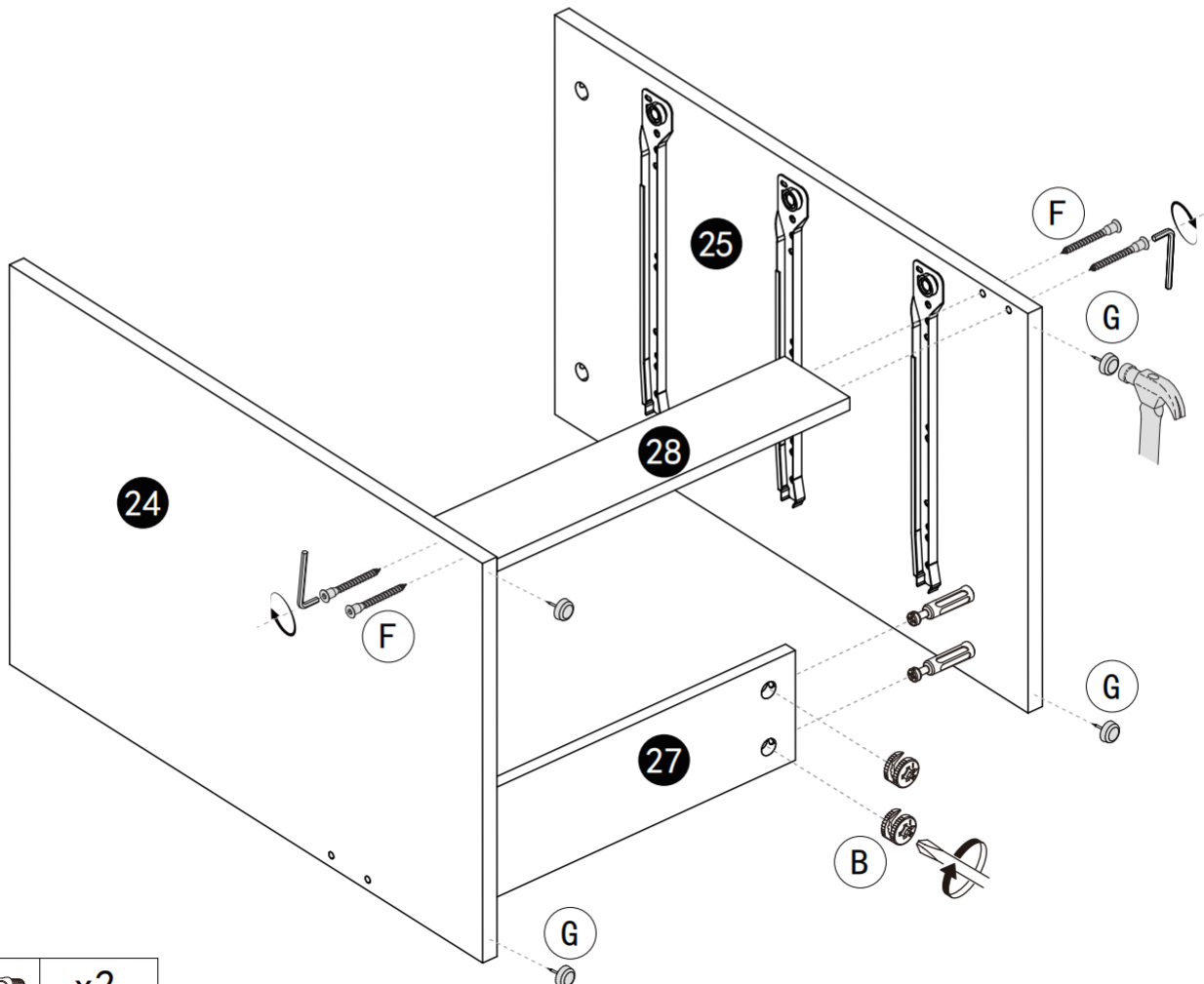
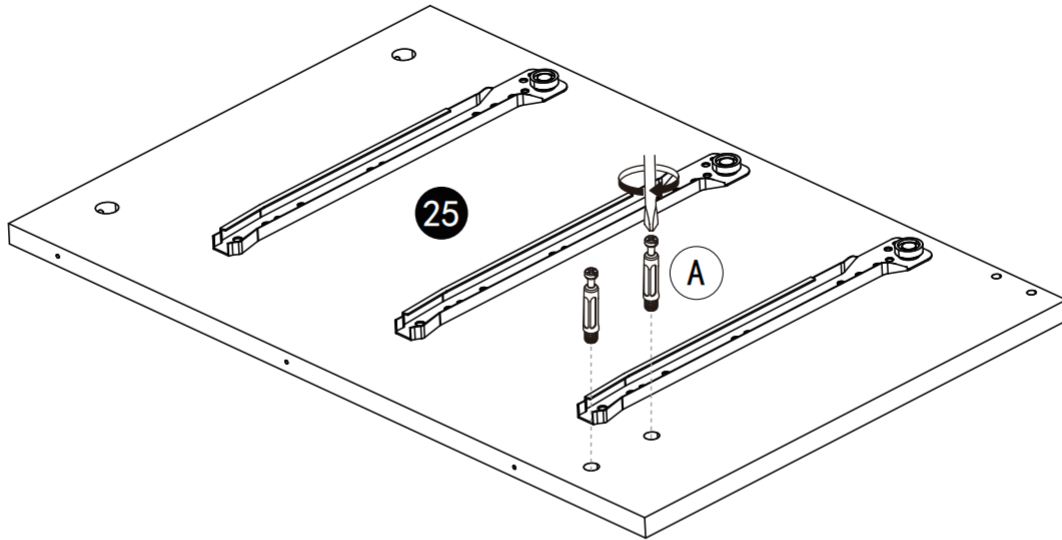
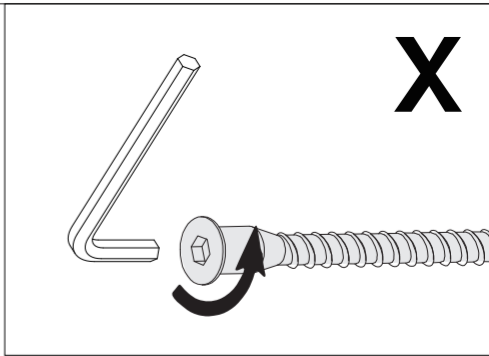
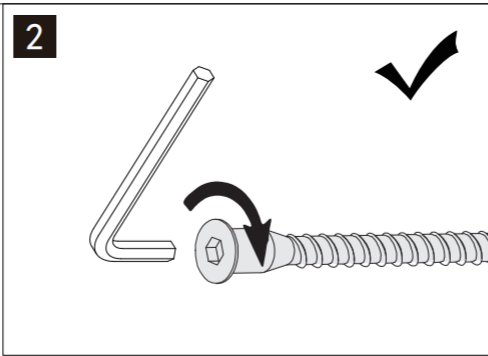
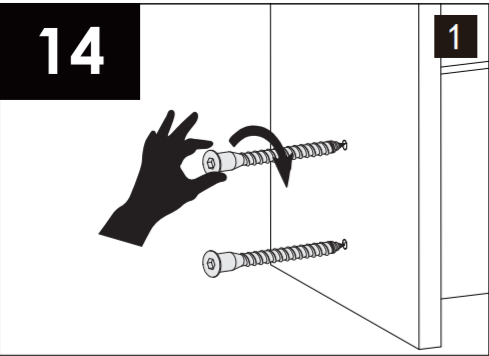
# 13

Installation method of three in one rod and buckle



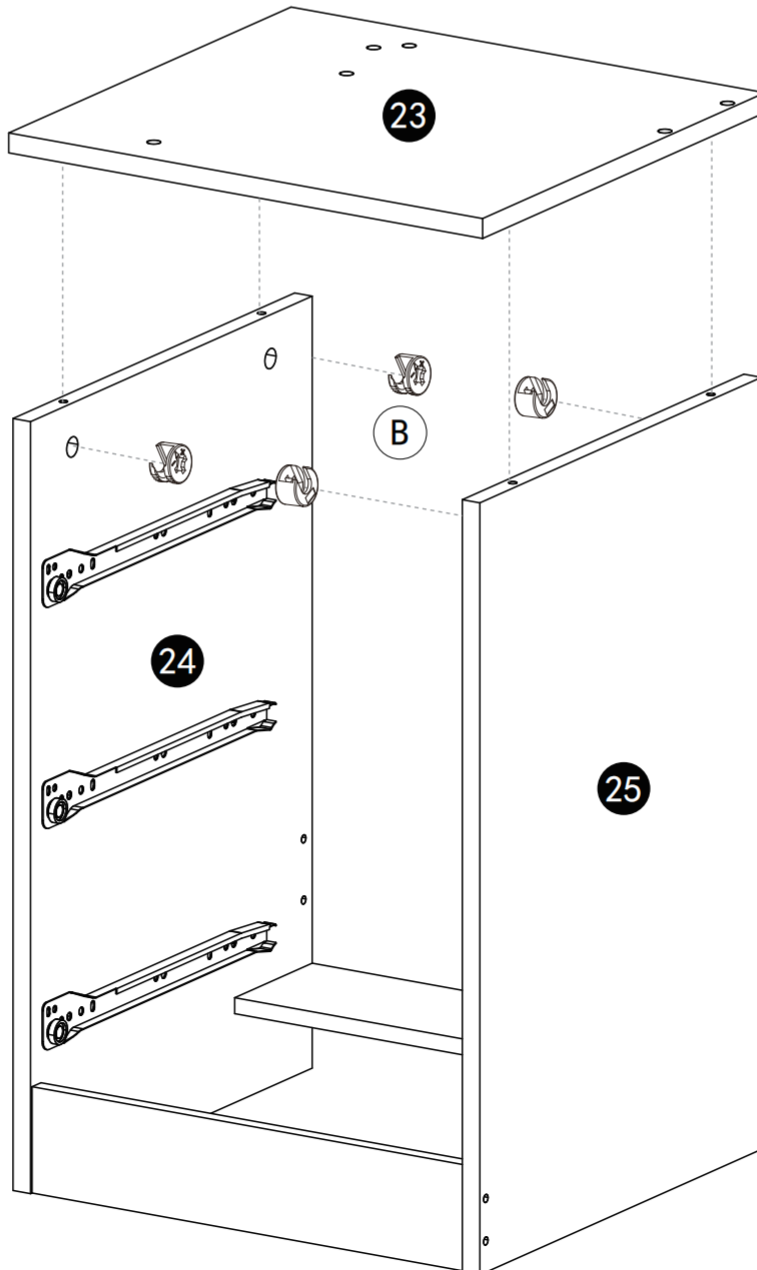
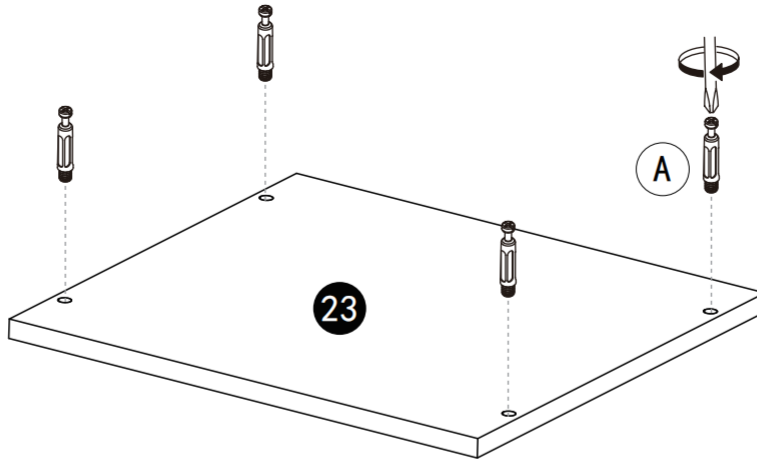
A		x2
B		x2



14

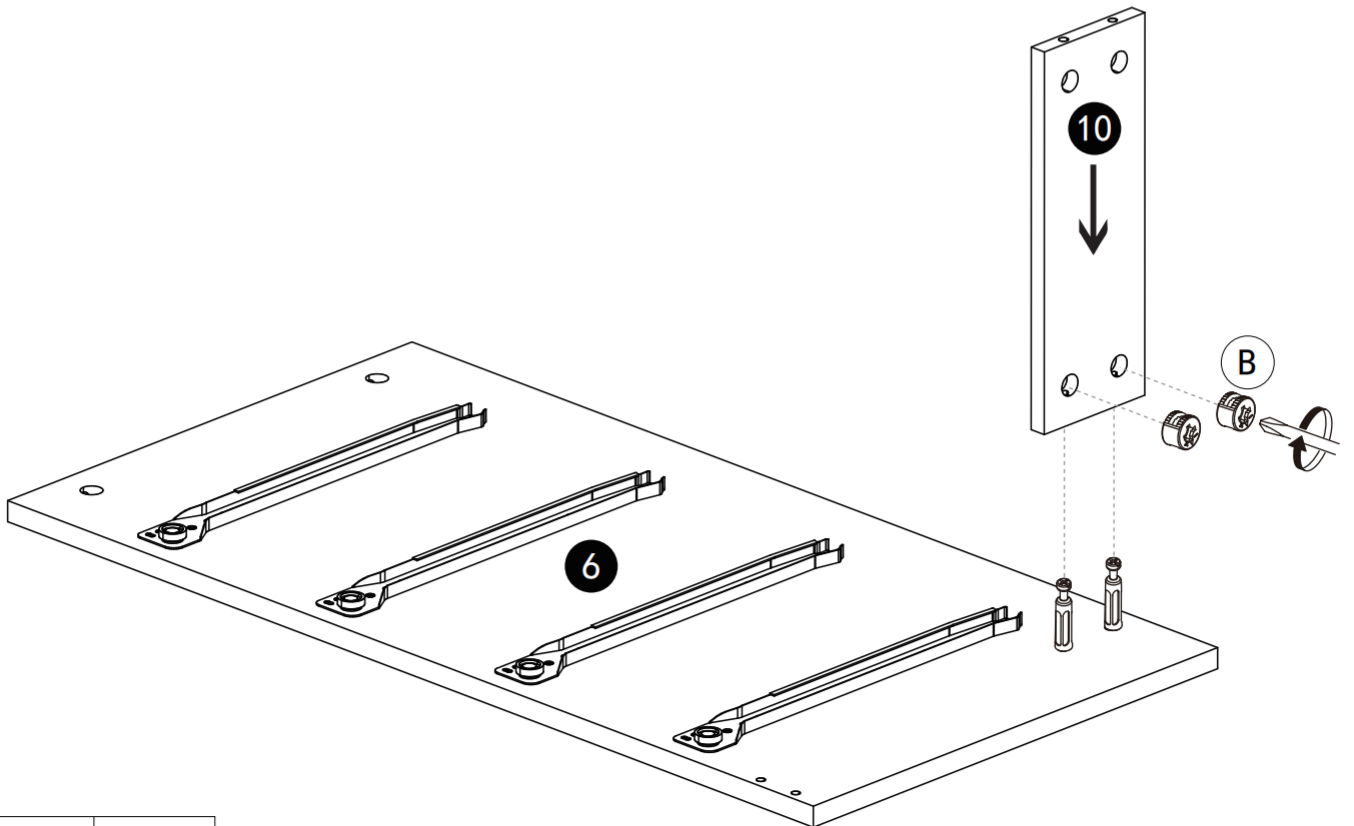
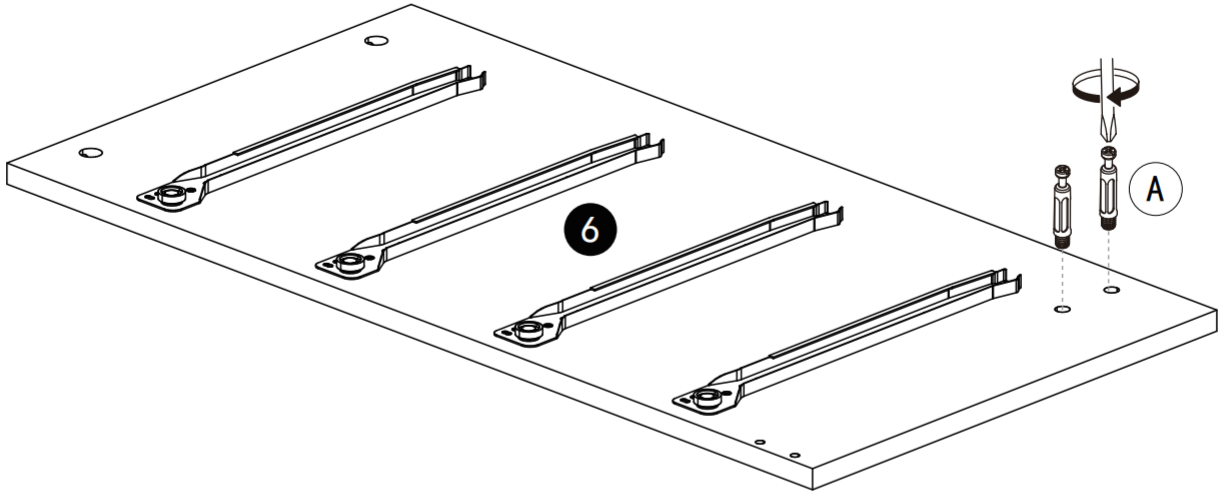




A		x2
B		x2

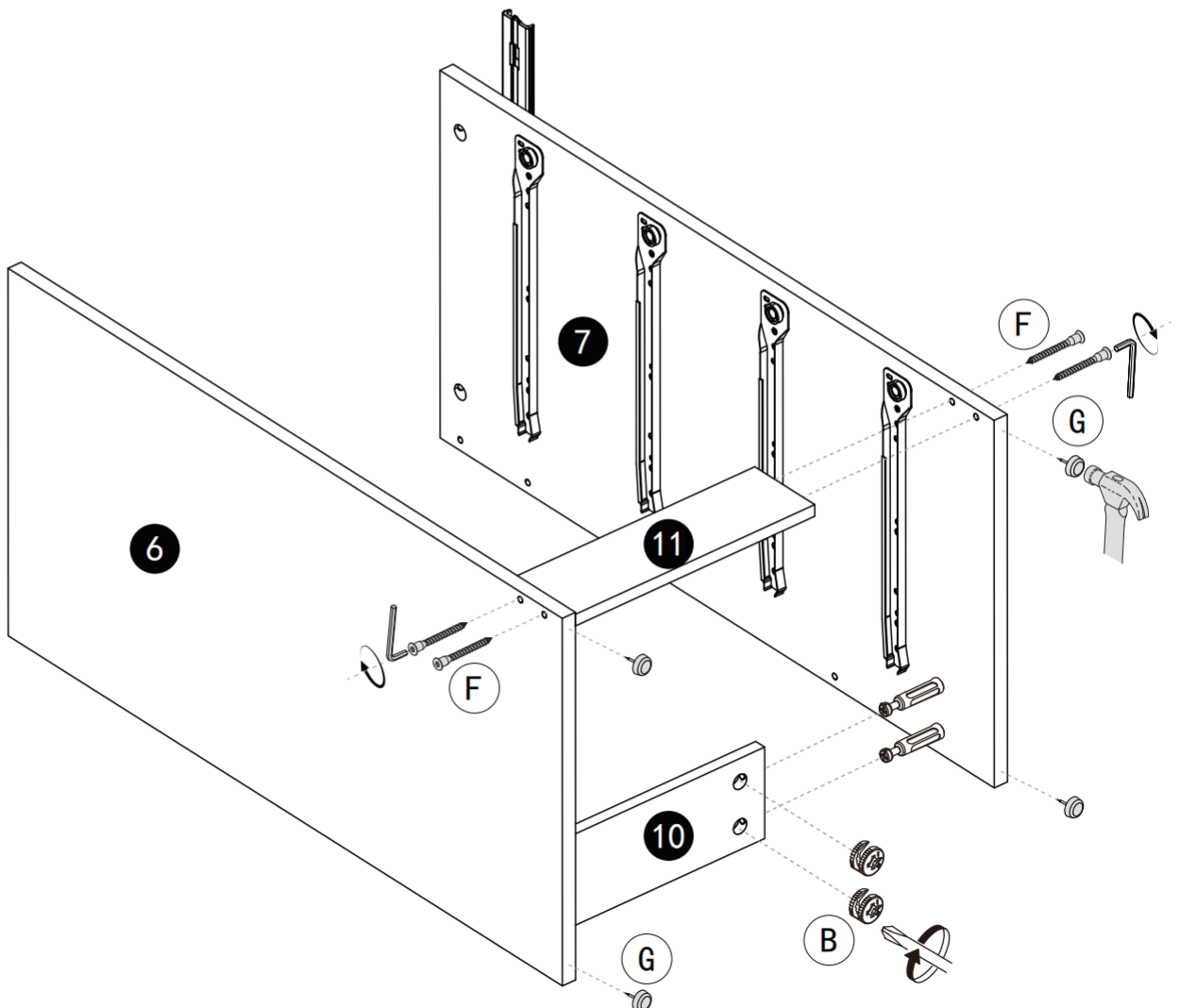
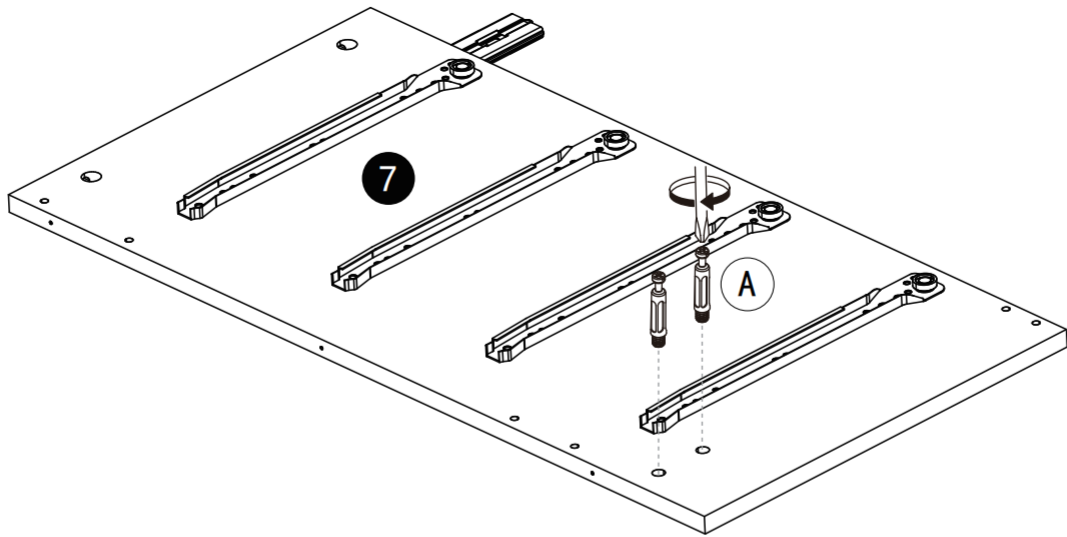
F		x4	G		x4
---	--	----	---	--	----



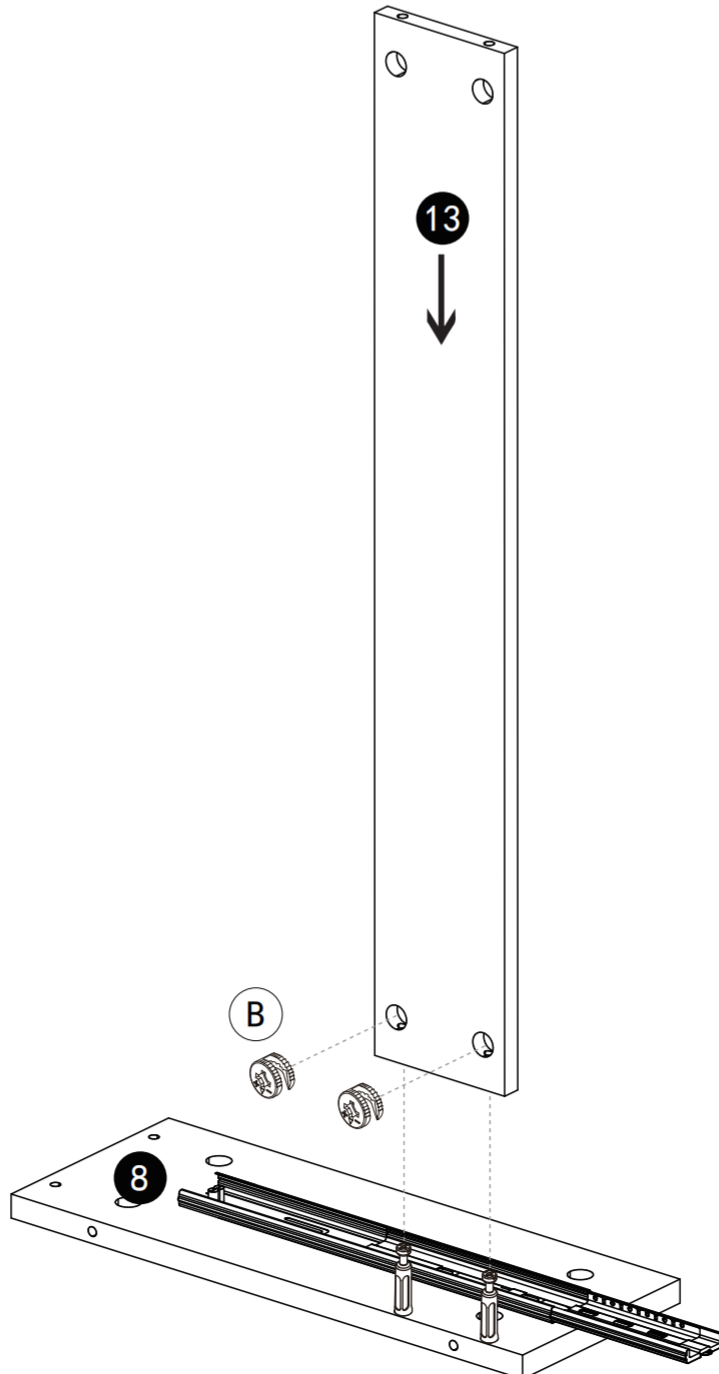
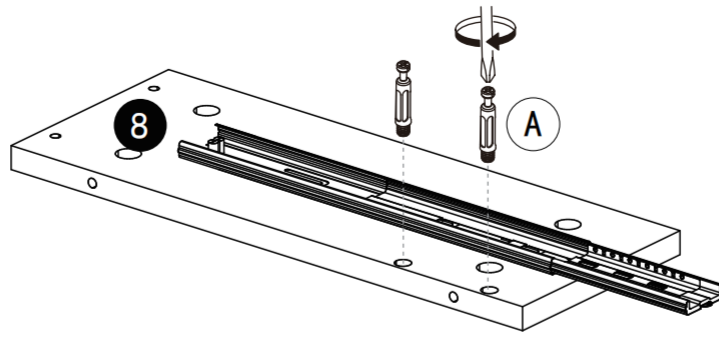
A		x4
B		x4





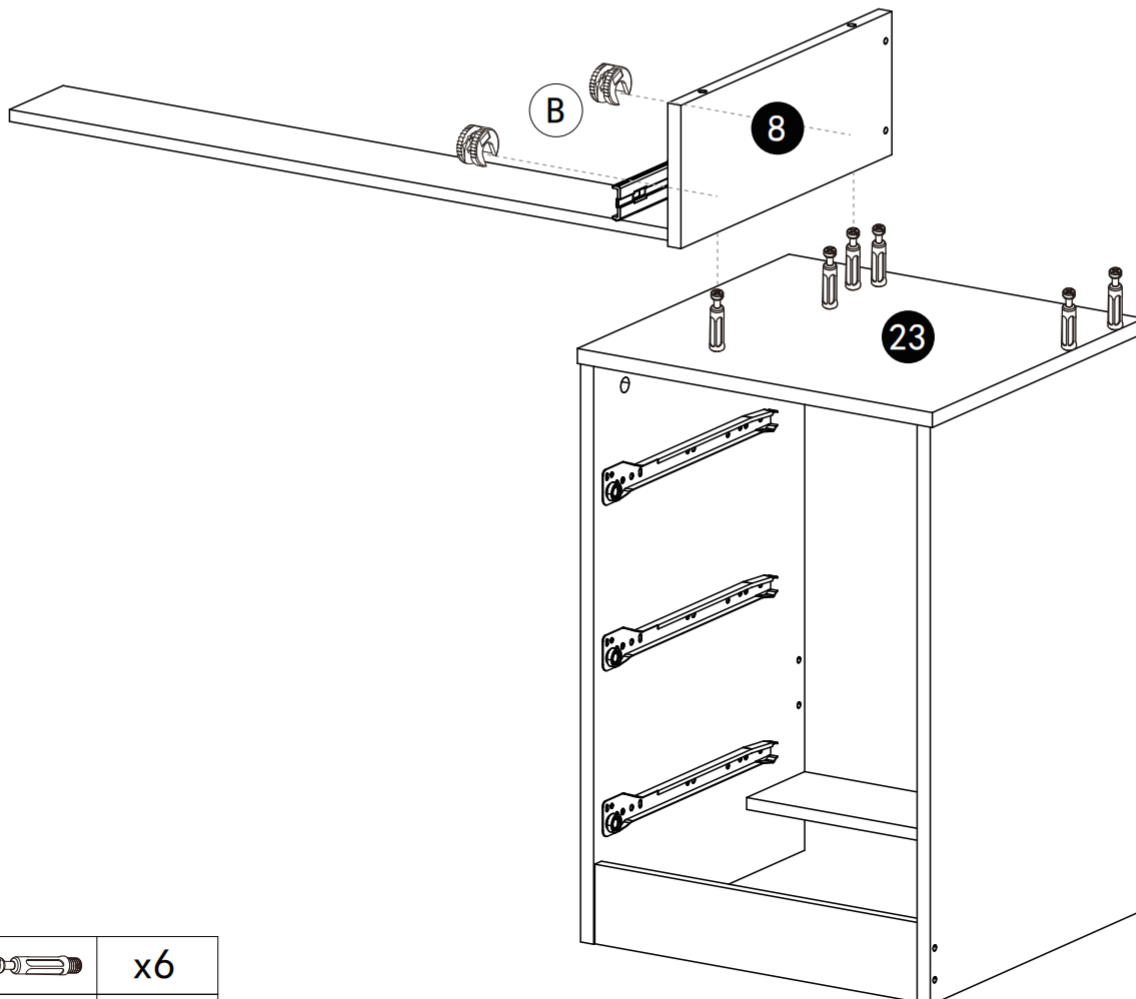
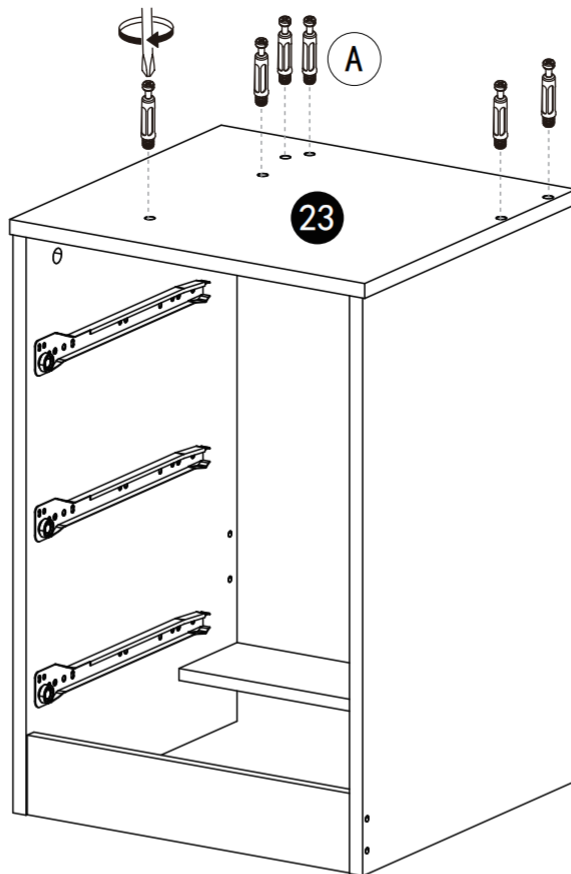
A		x2
B		x2





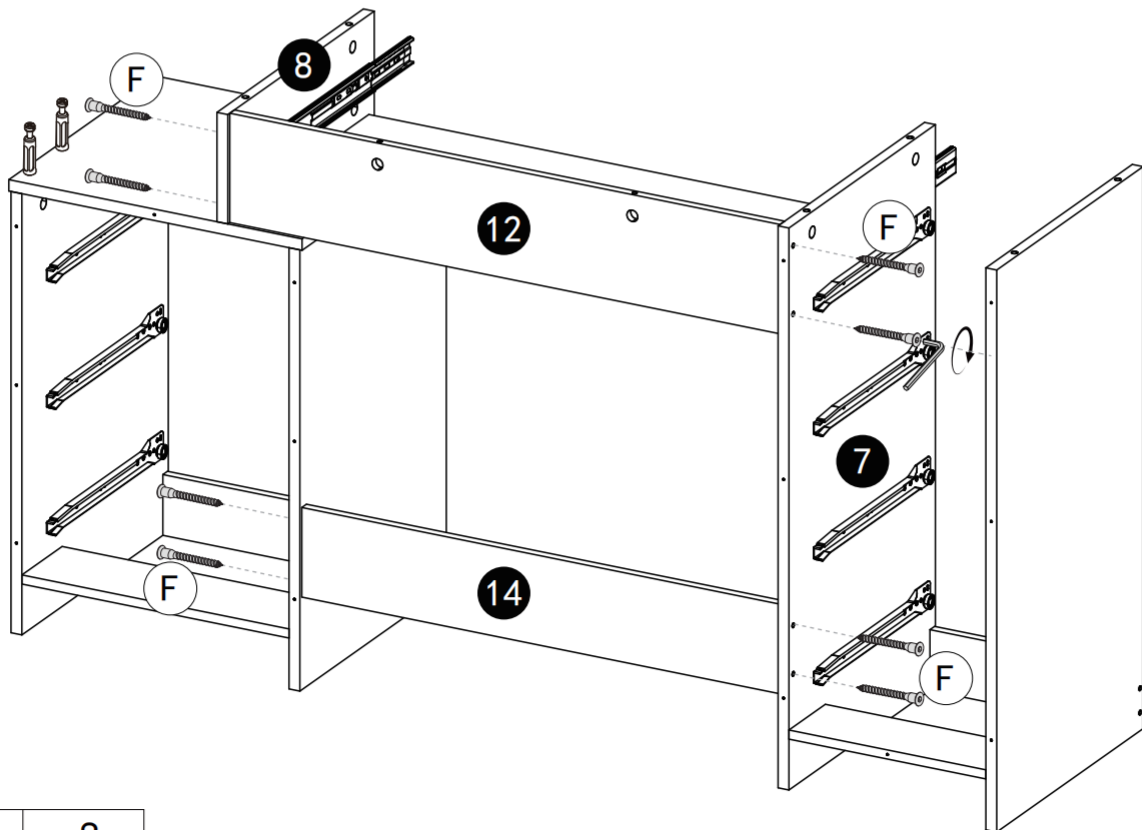
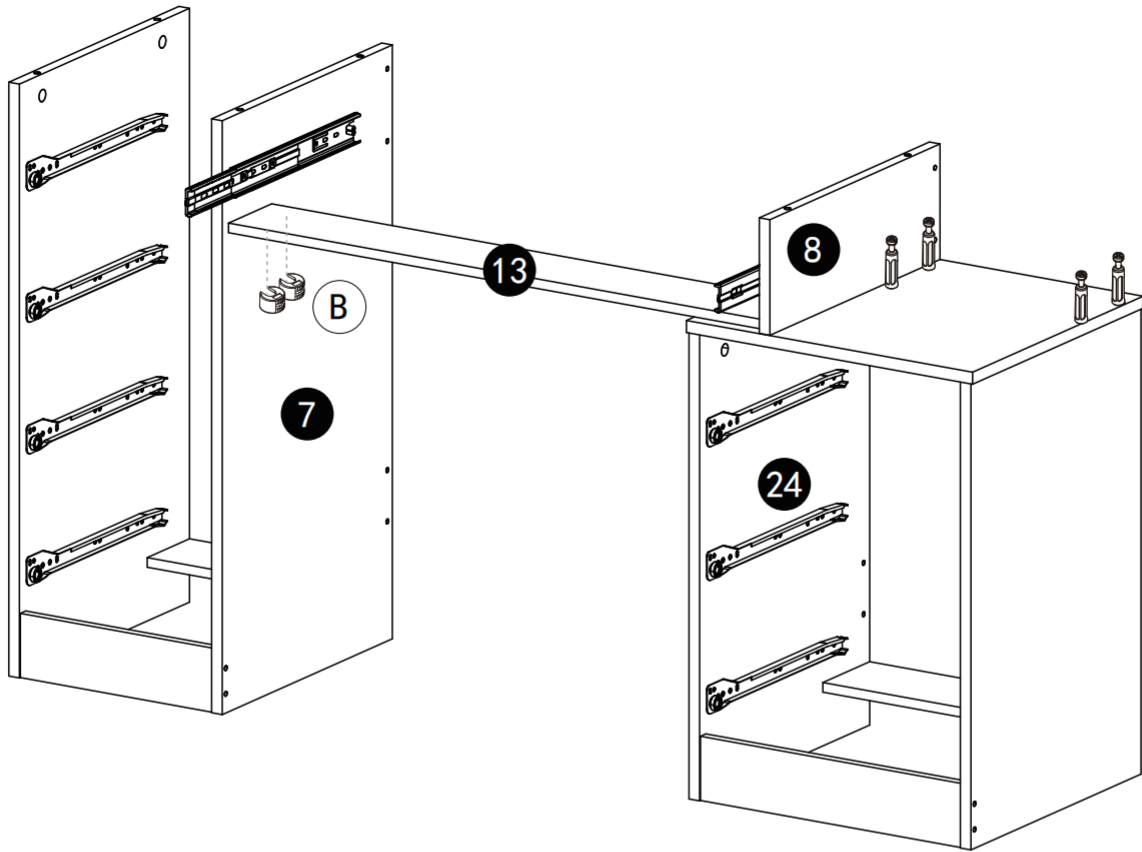
A		x2						
B		x2	F		x4	G		x4





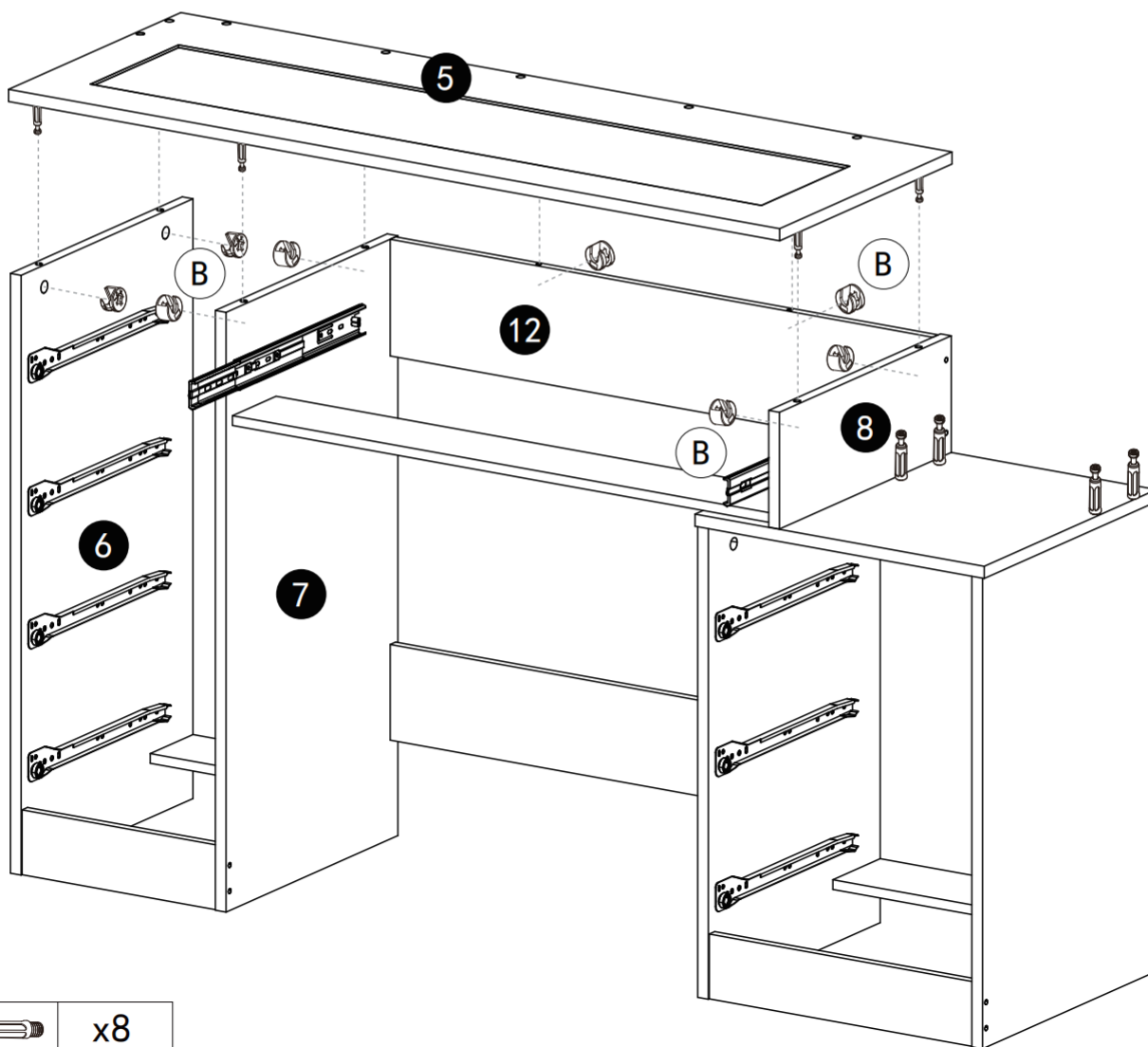
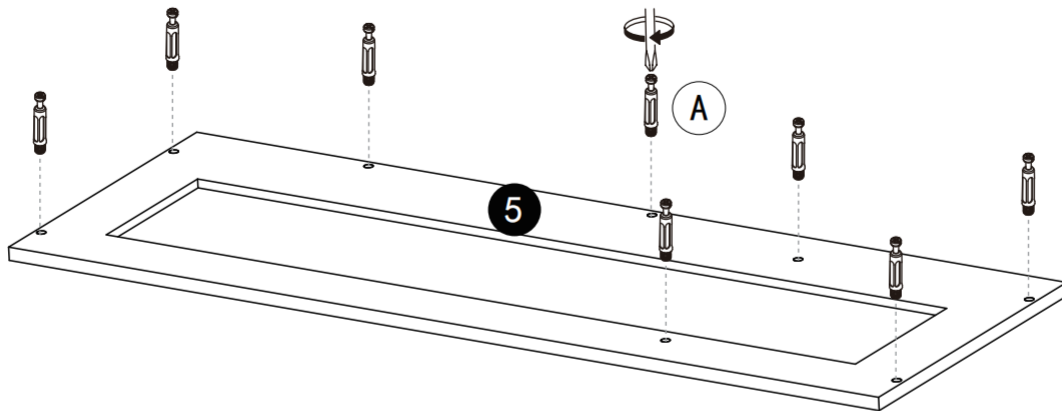
A		x2
B		x2





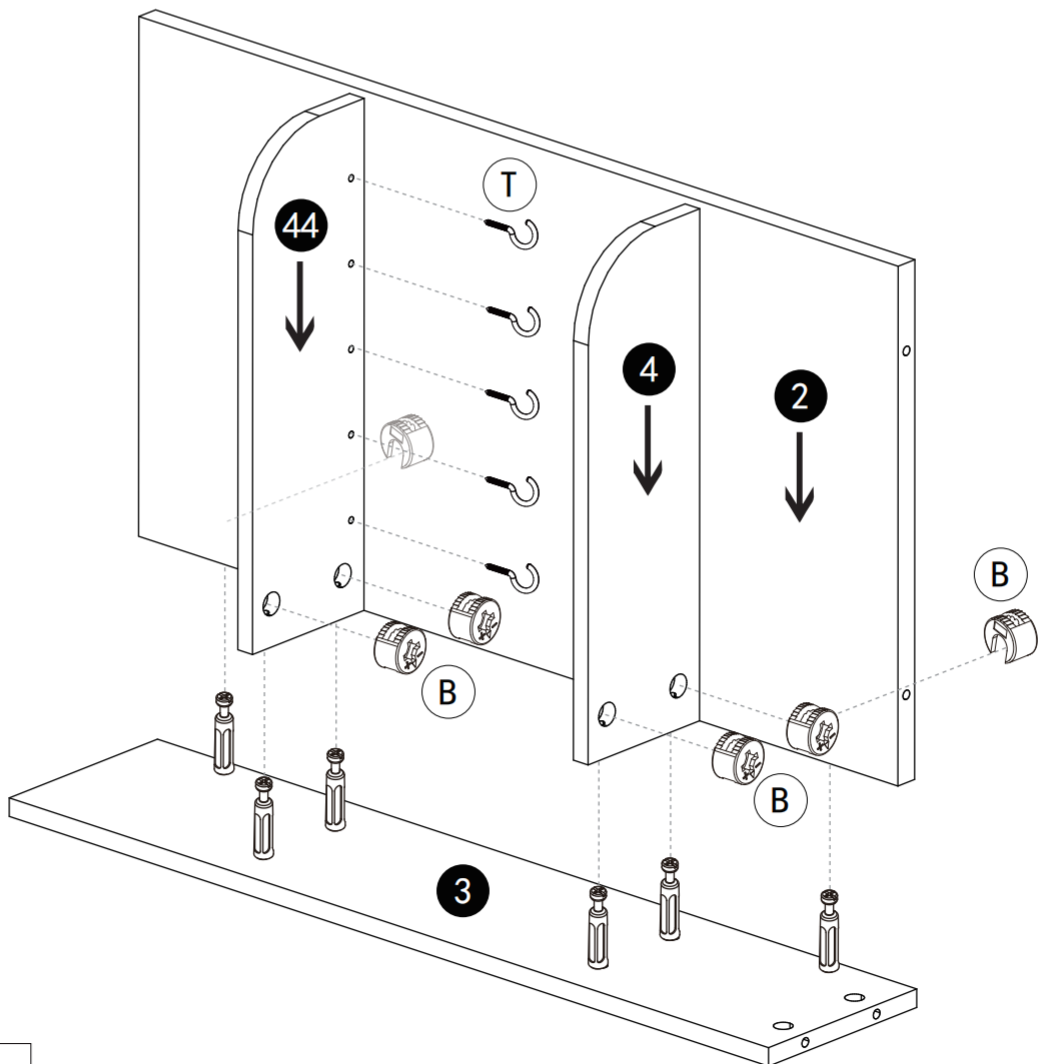
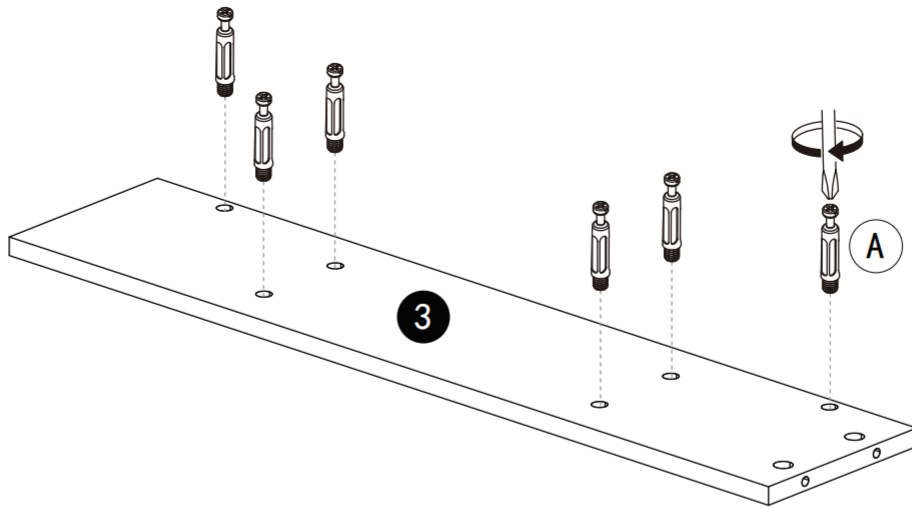
A		x6
B		x2





F		x8
B		x2

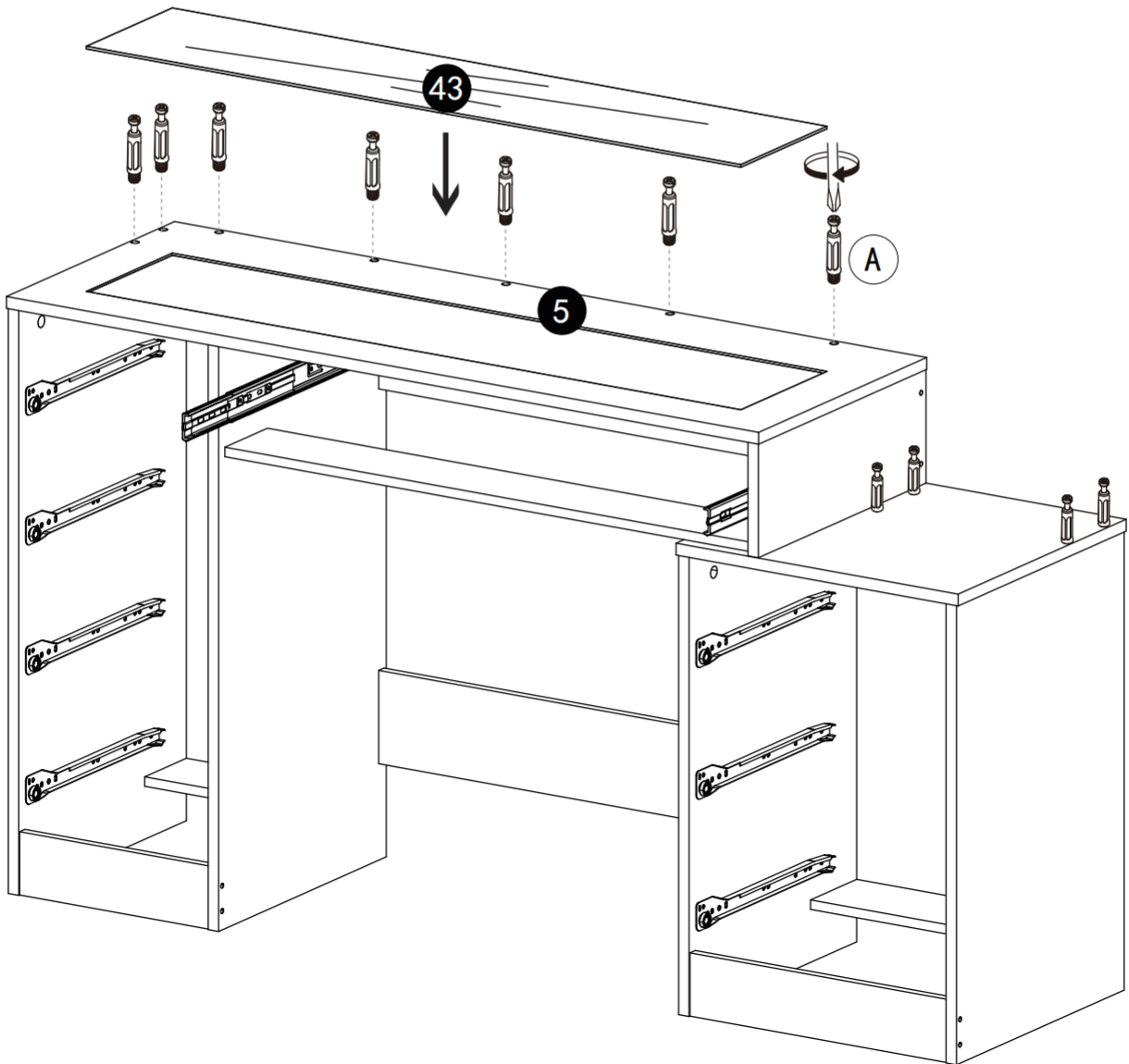
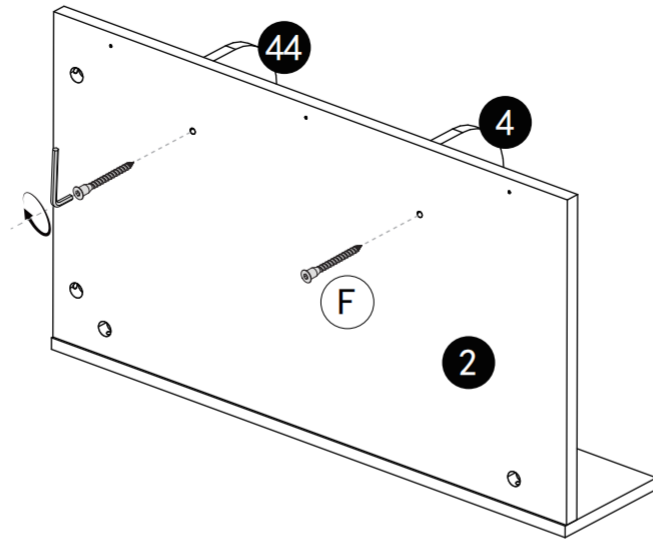




A		x8
B		x8

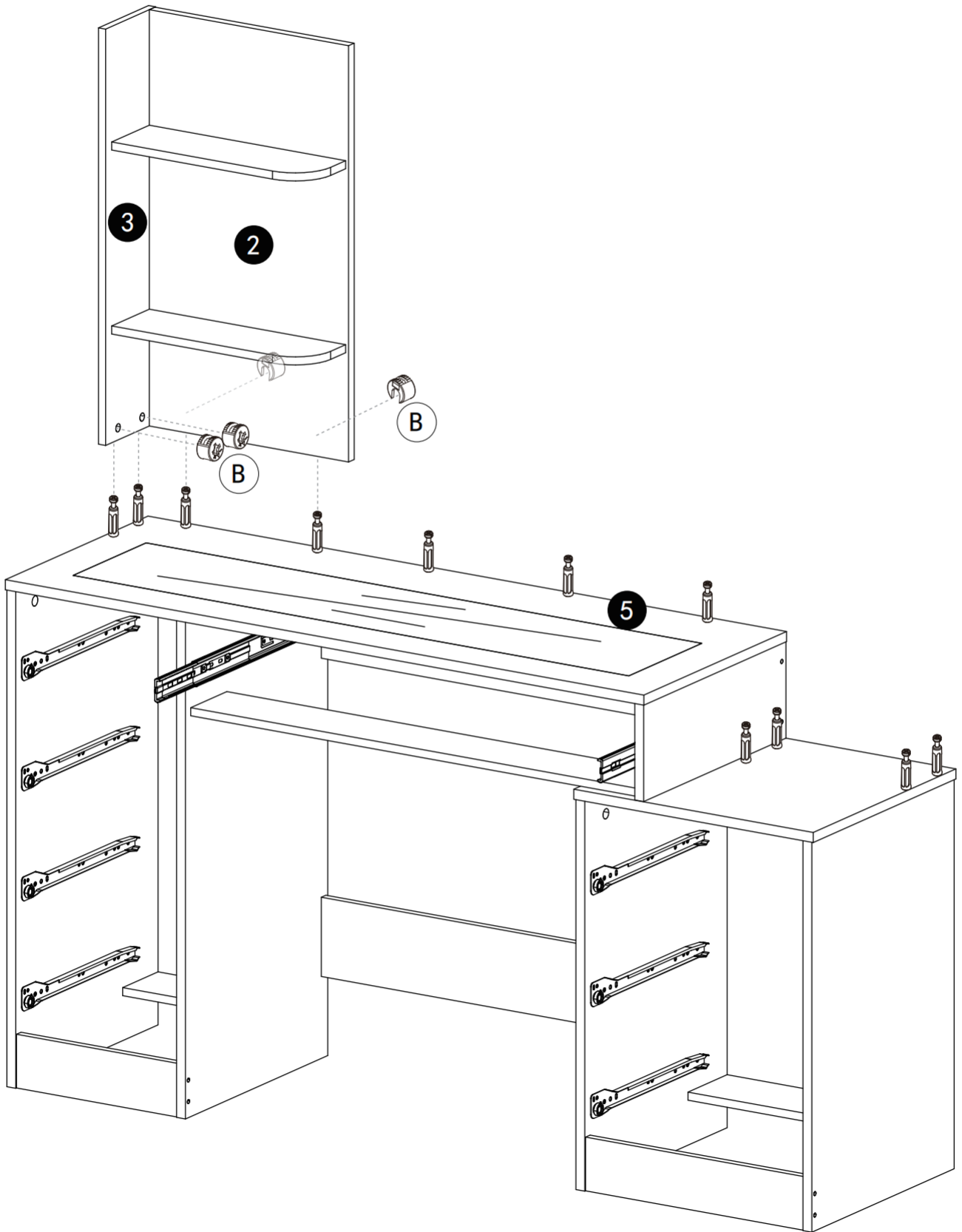


A		x6
B		x6

T		x5
---	---	----



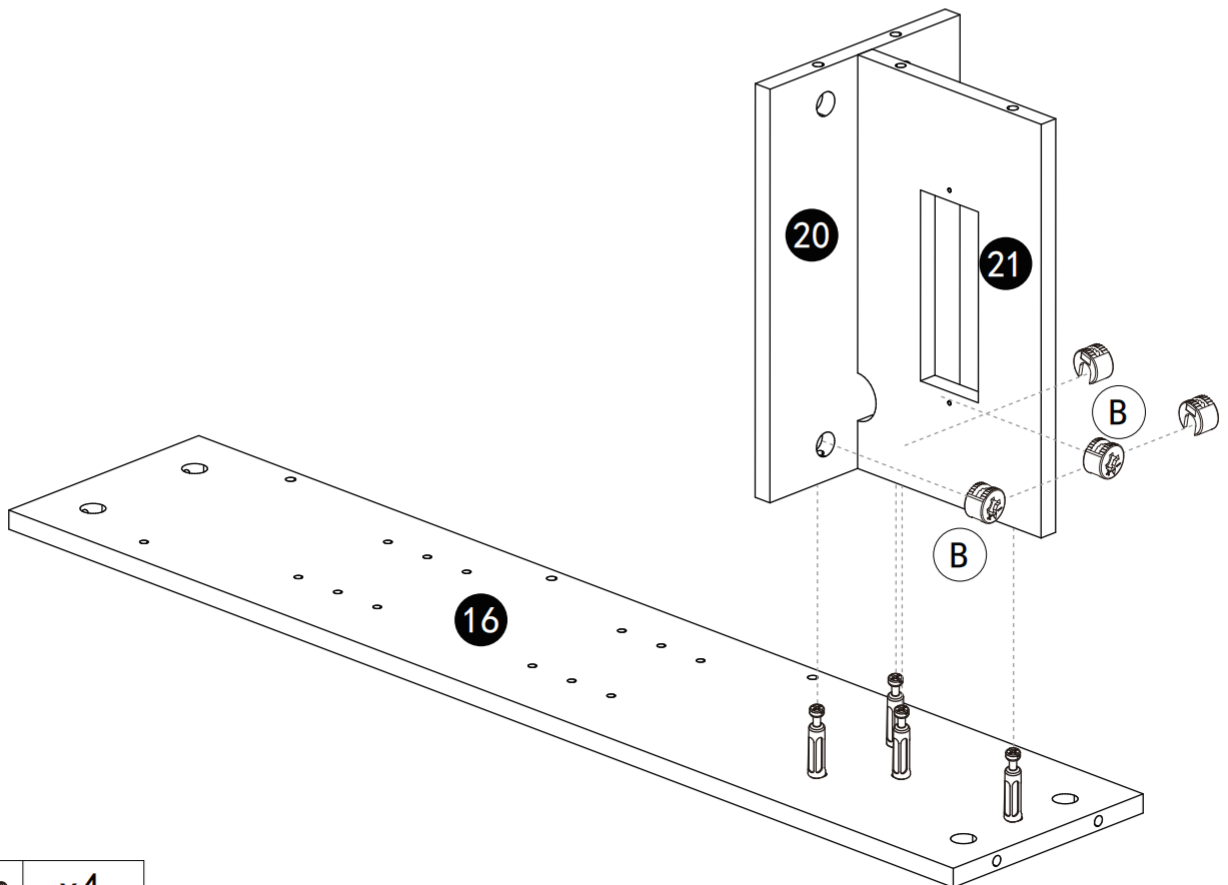
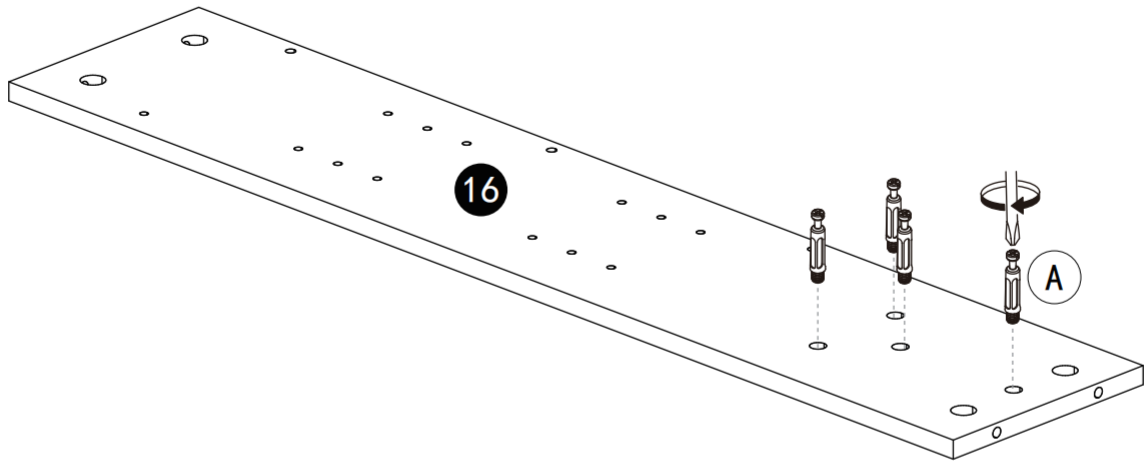
F		x2	A		x7
---	---	----	---	---	----





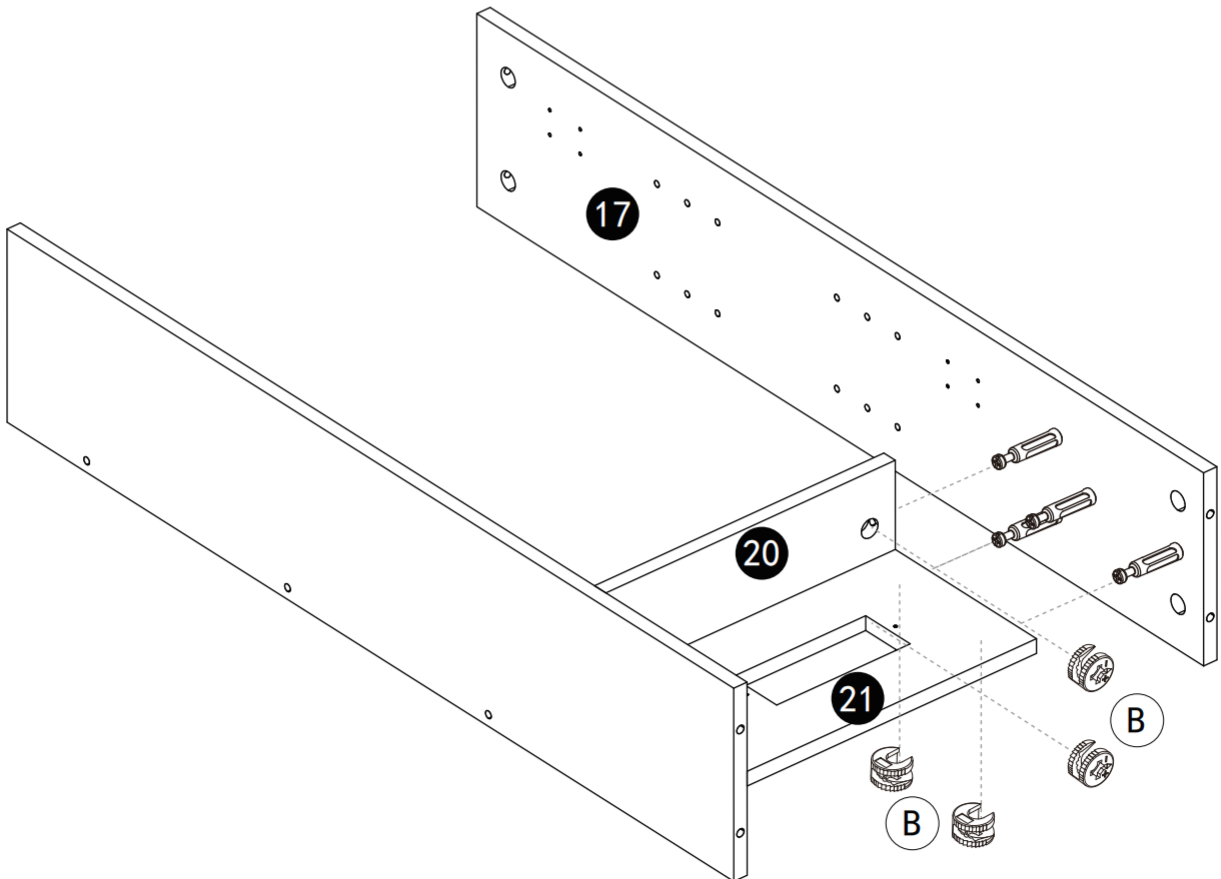
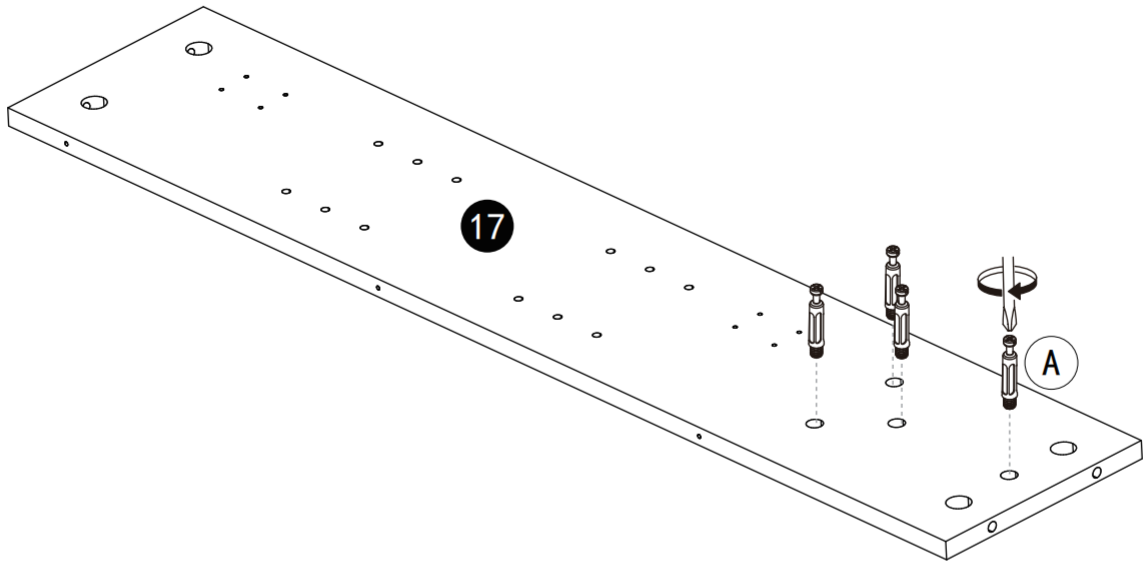
B





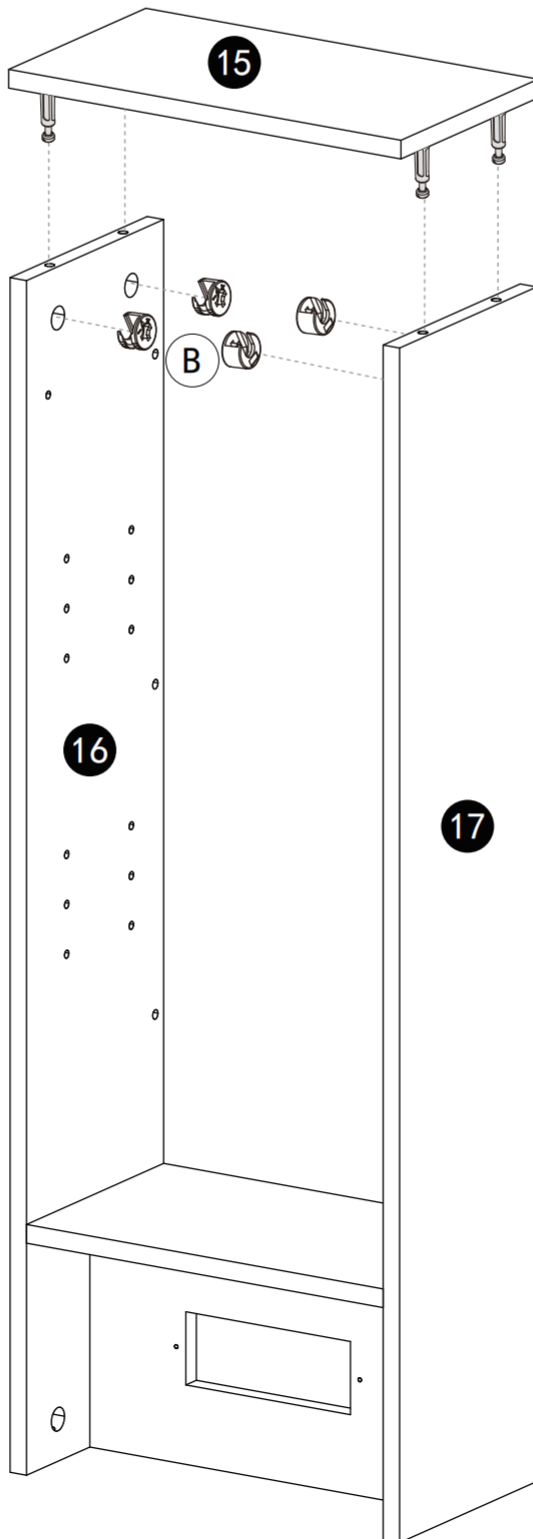
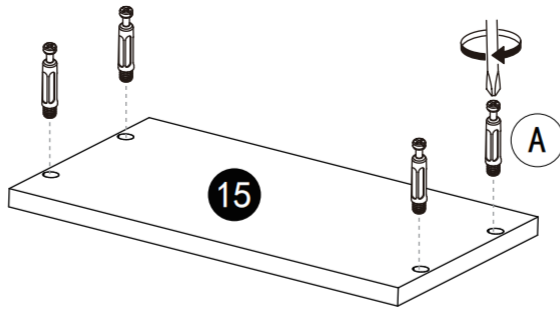
x4





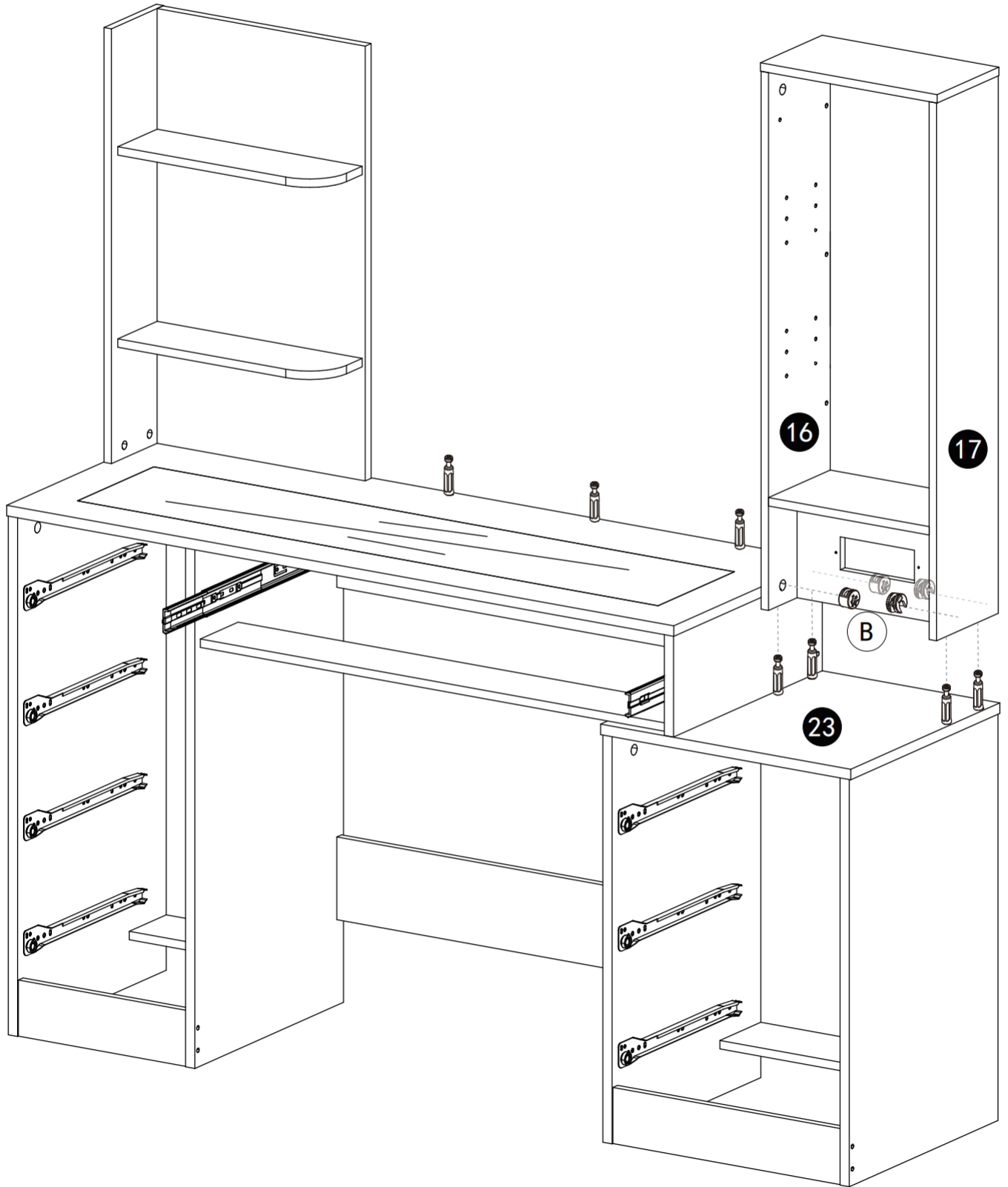
A		x4
B		x4



A		x4
B		x4



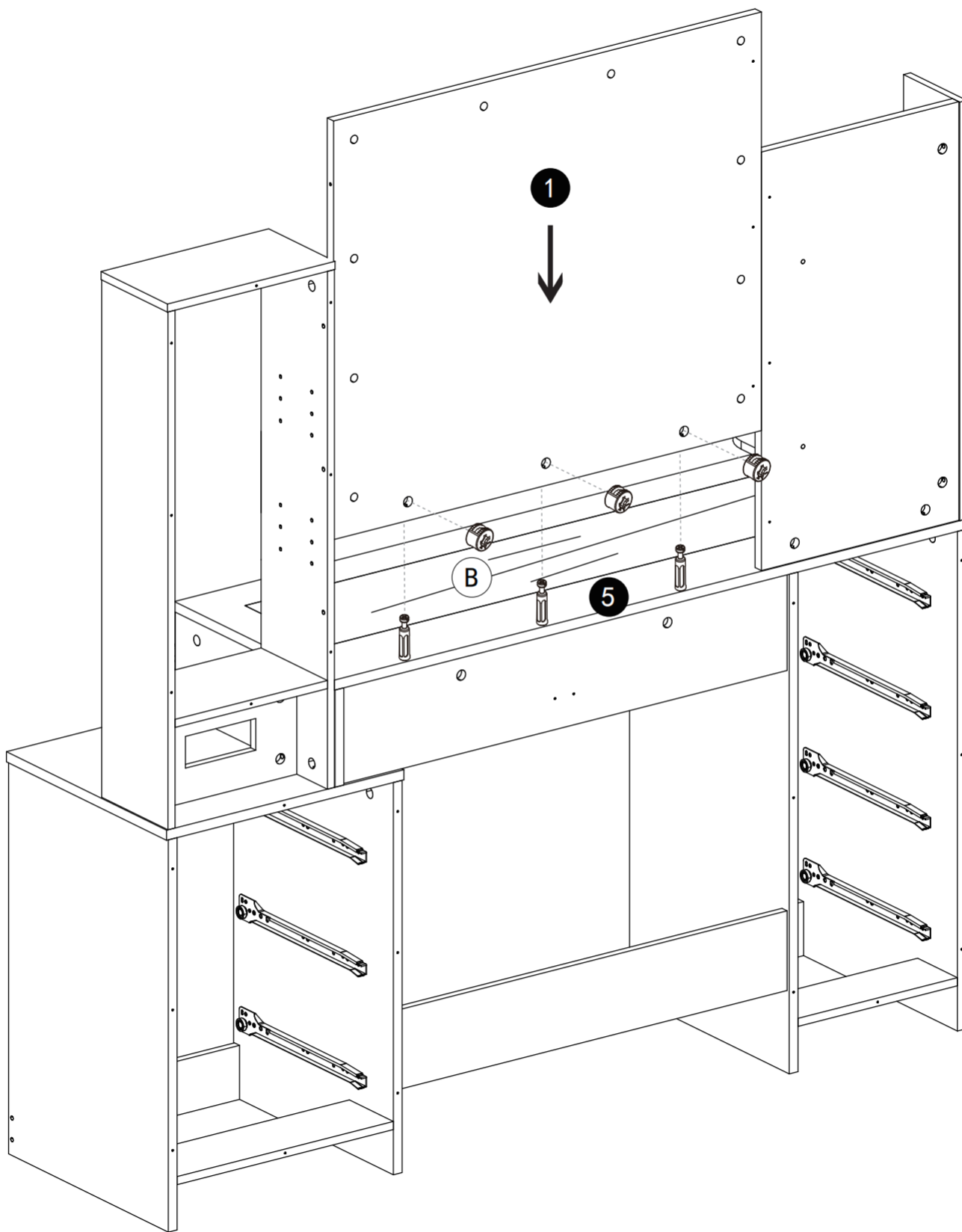
A		x4
B		x4



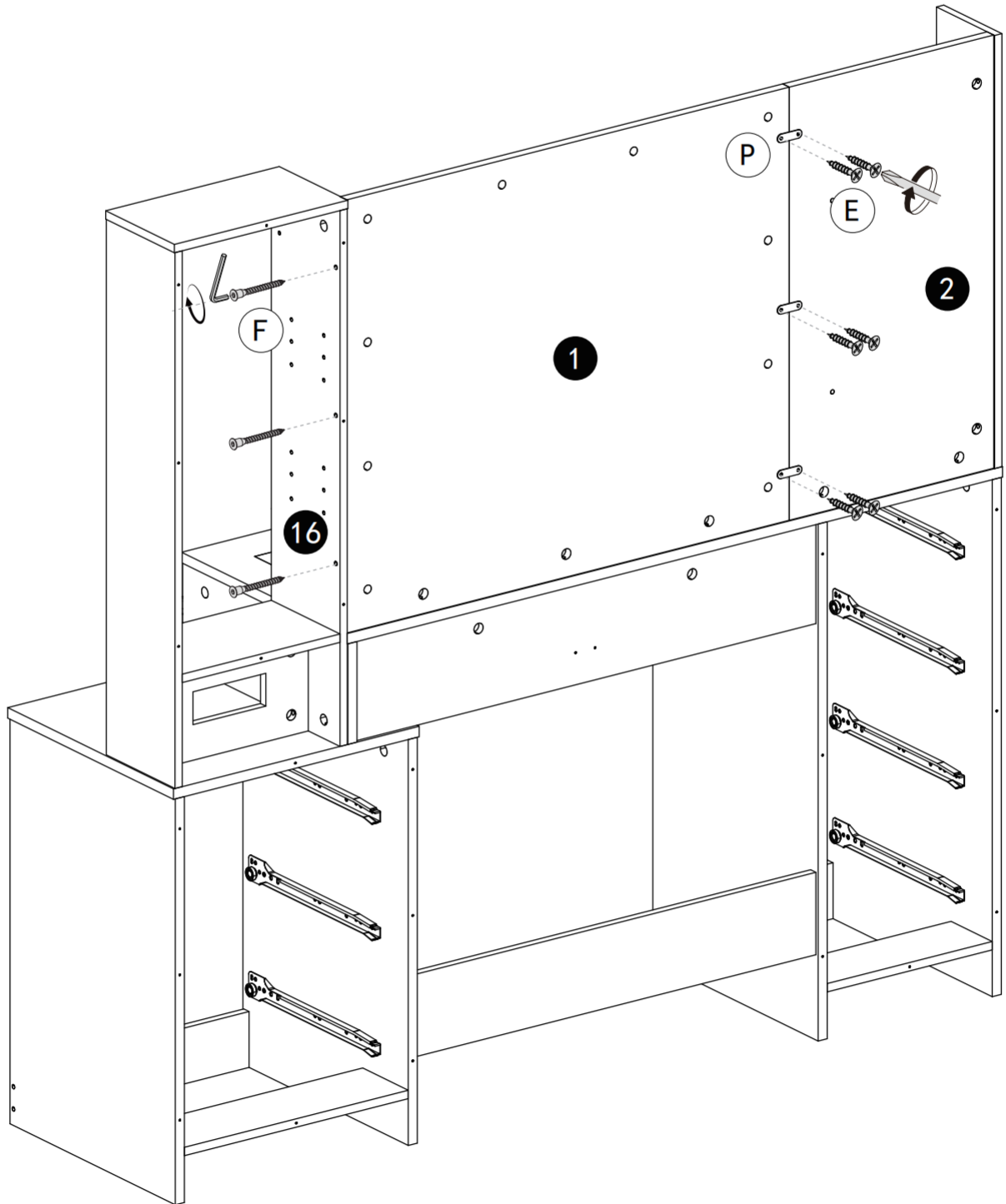
B



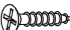


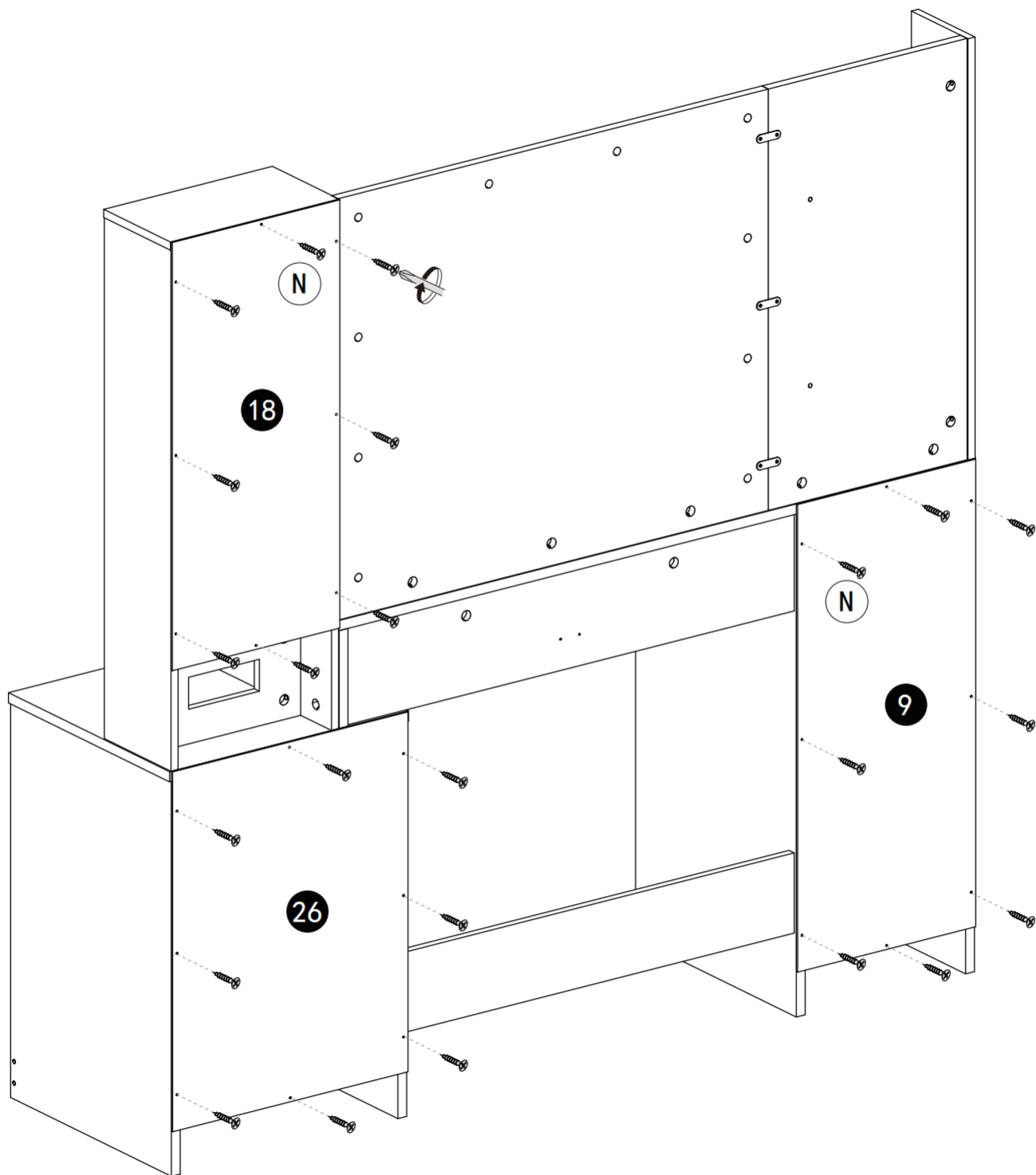
x4




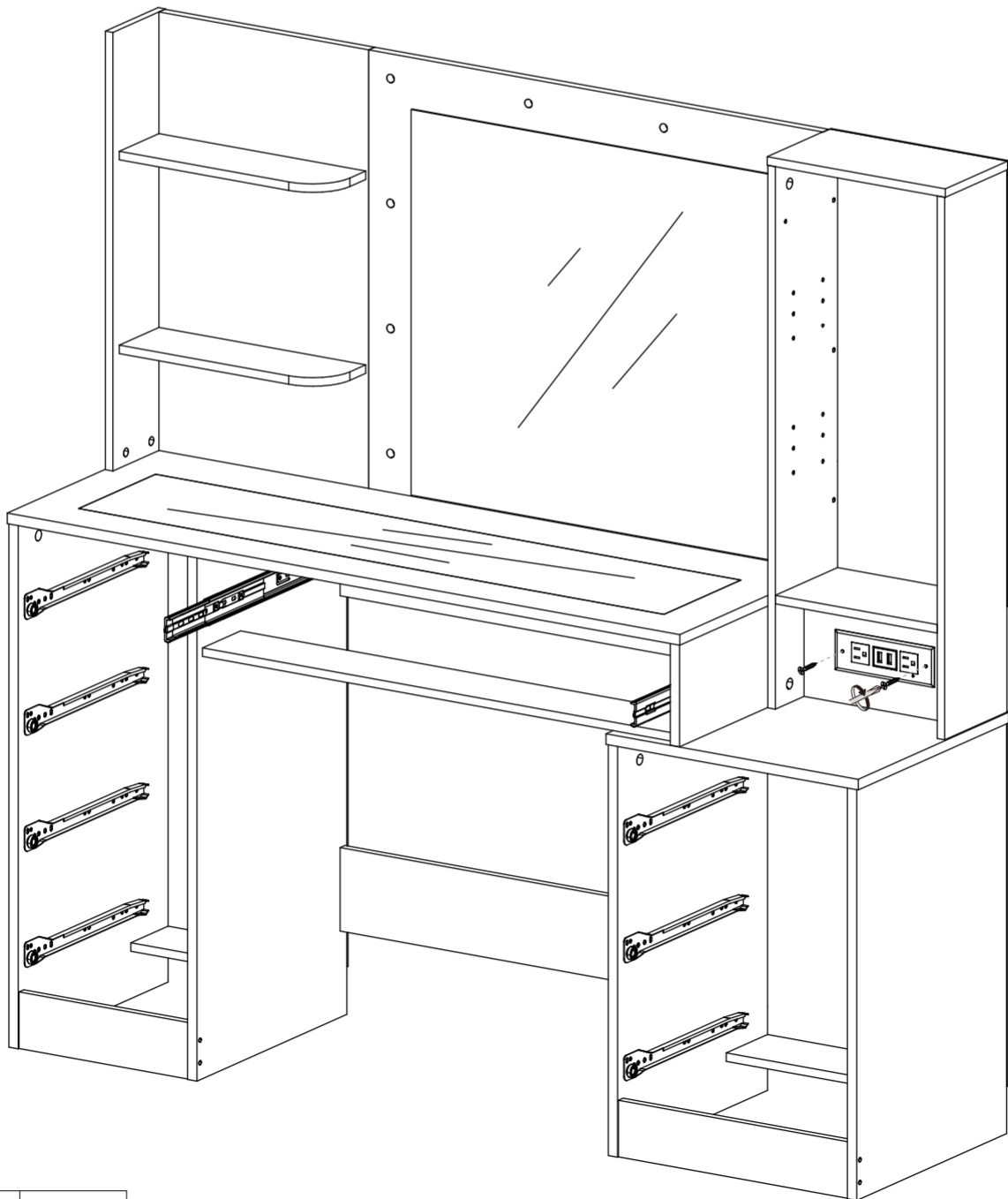
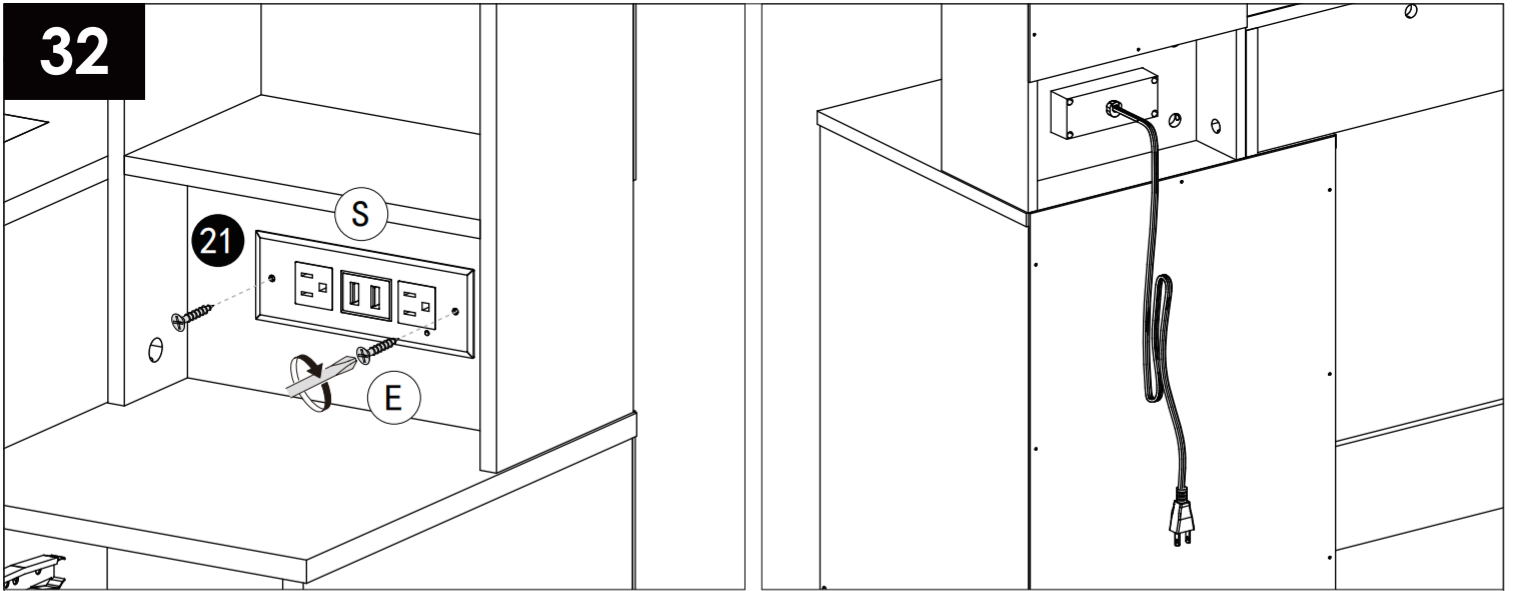
B		x3
---	---	----





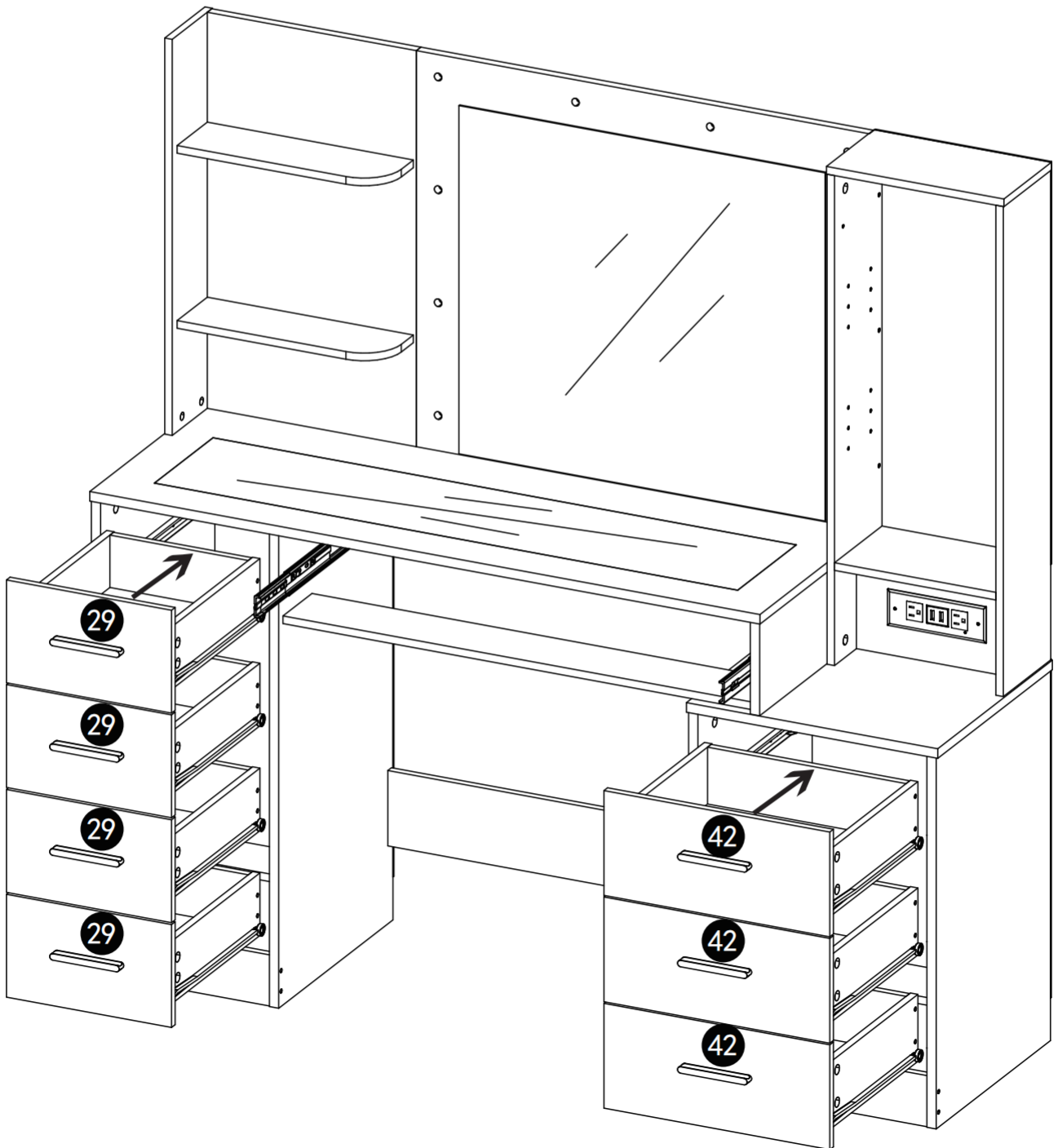
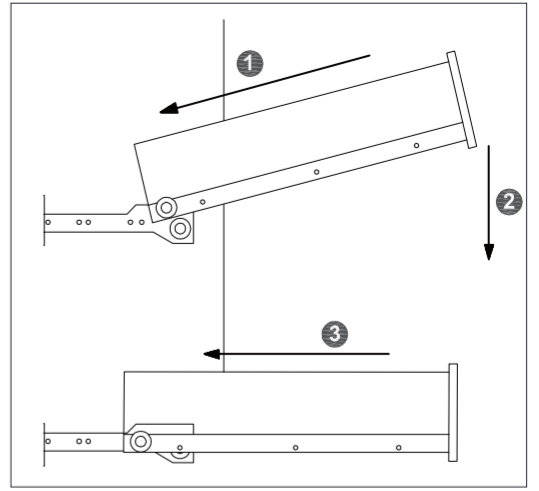
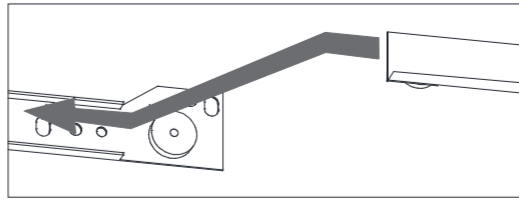
F		x3	P		x3
			E		x6



N		x24
---	---	-----

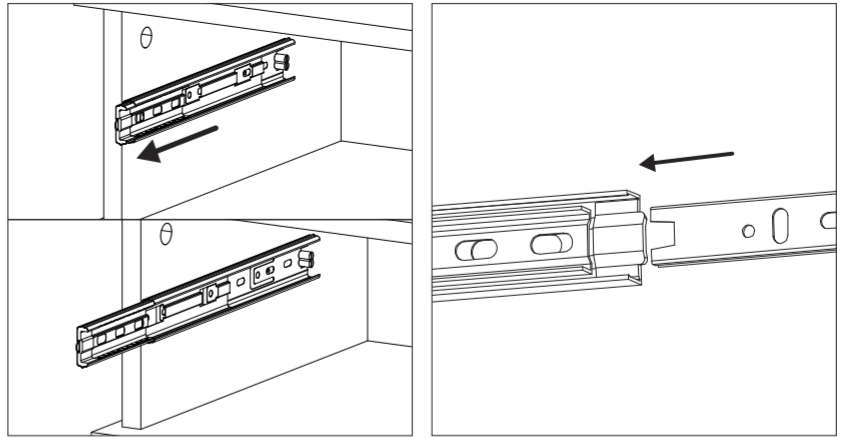


S		x1
E		x2



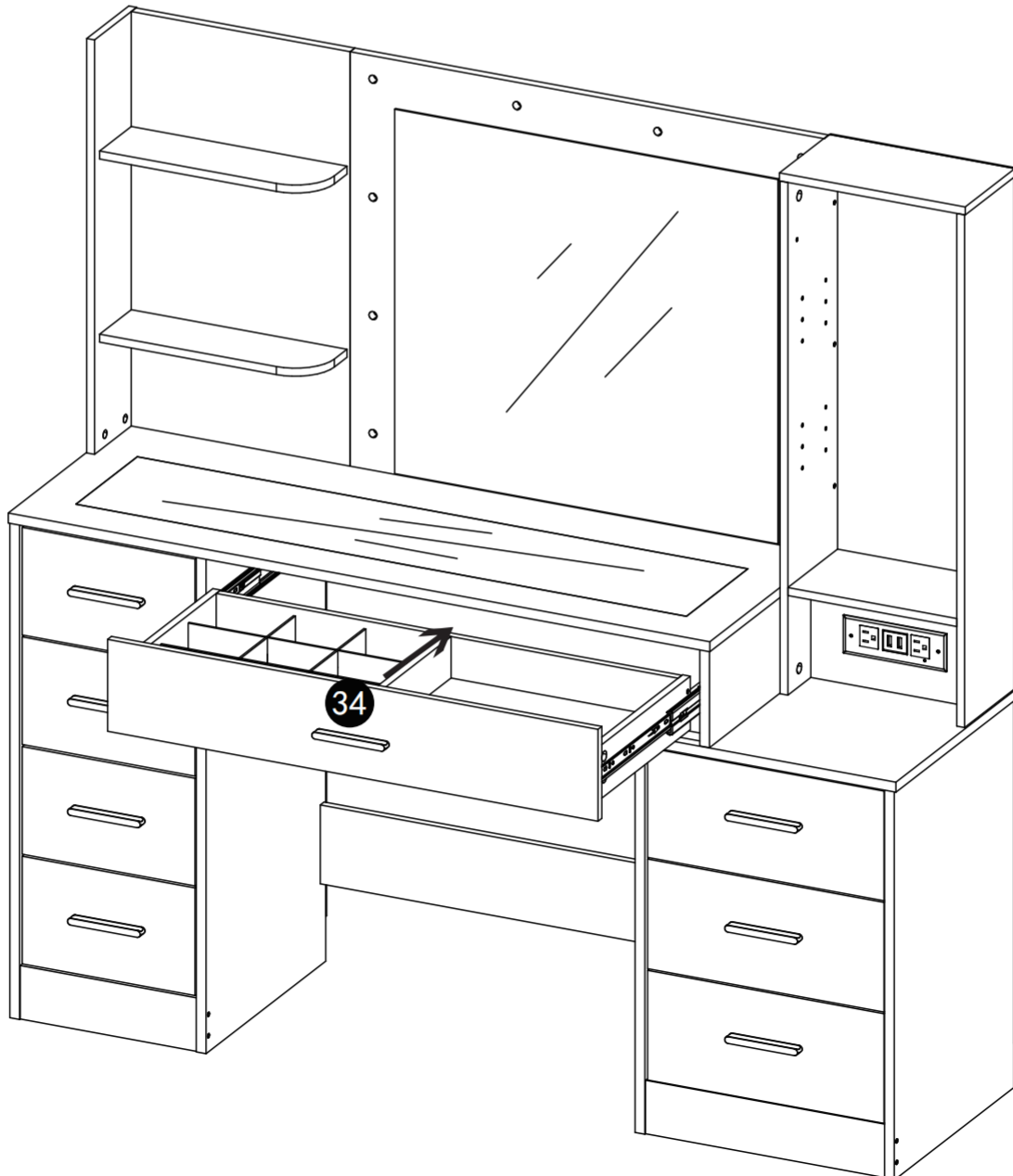
**REMARK:** Align the slide runners on the drawer with the unit and push it carefully inside until it stops.

★ If the drawer does not go in smoothly please take it out and repeat the step.

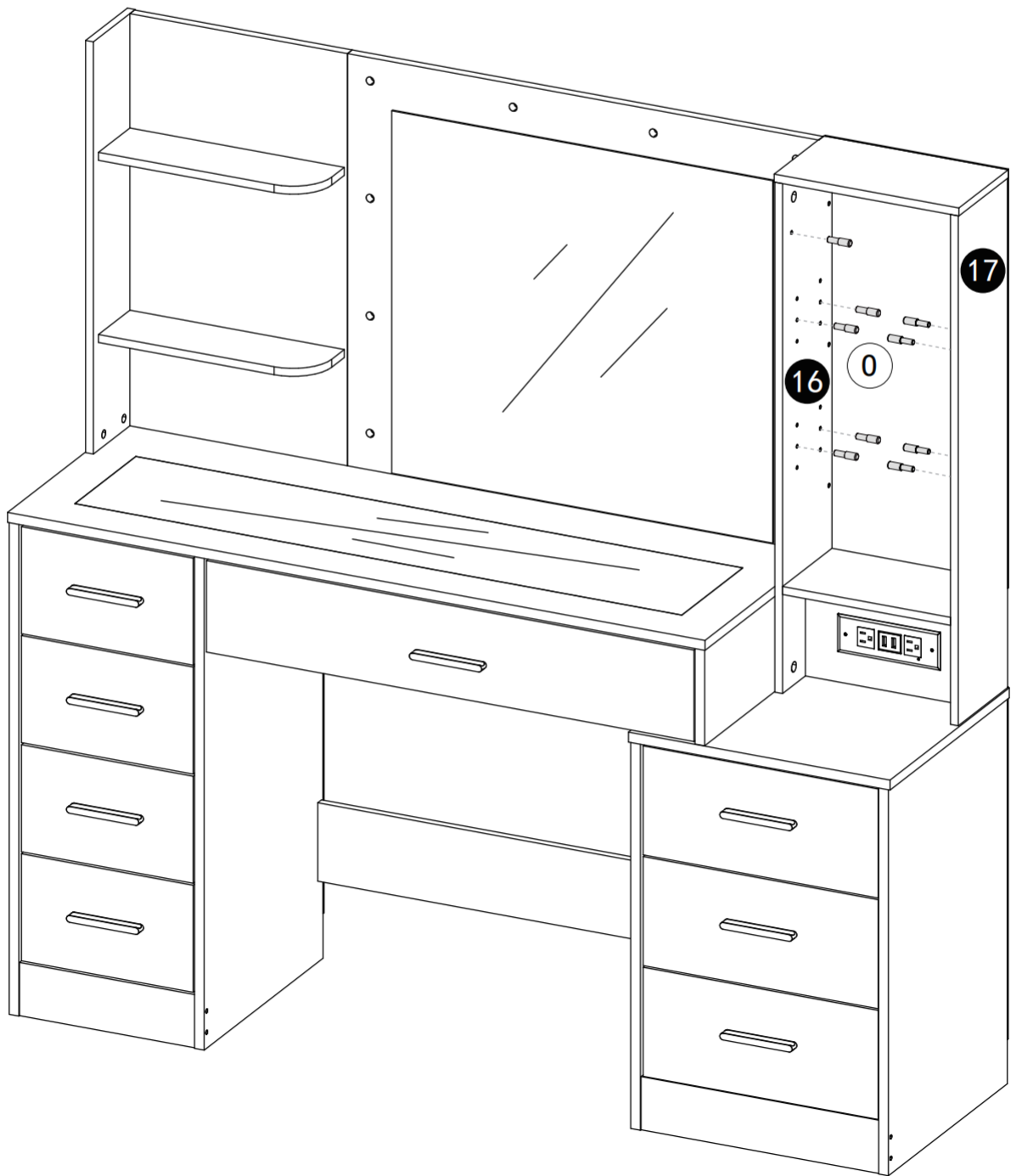
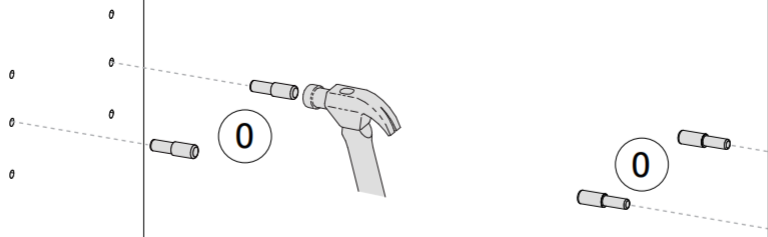



**REMARK:**

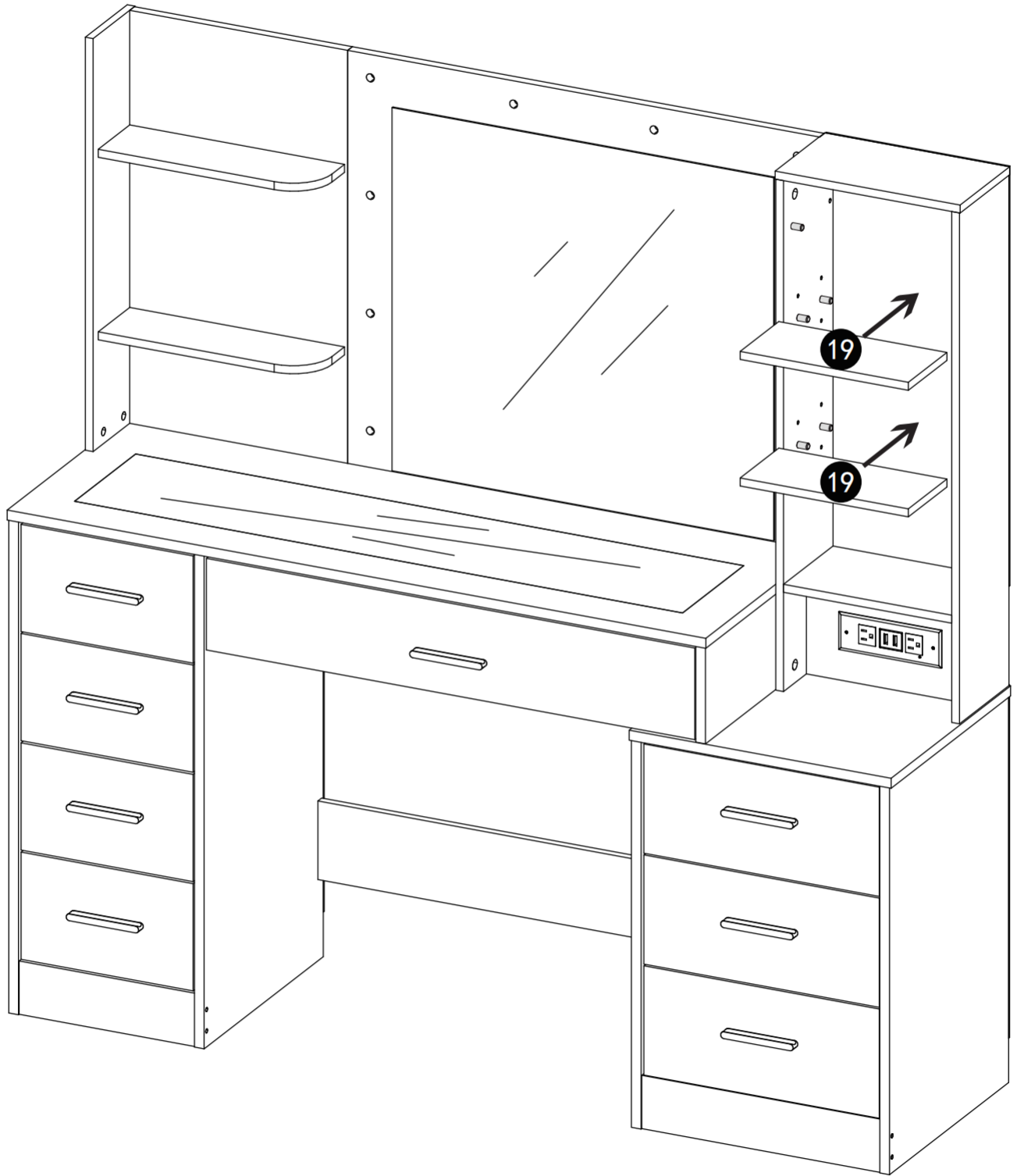
1. First, slide the slide and ball on both sides of the slide to the outside.
2. when installing the drawer, align both sides first, and then push both sides inward at the same time.



35

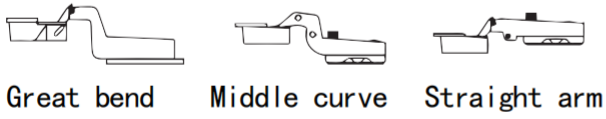
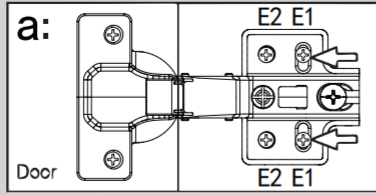


0  x9



**Hinge adjustment**

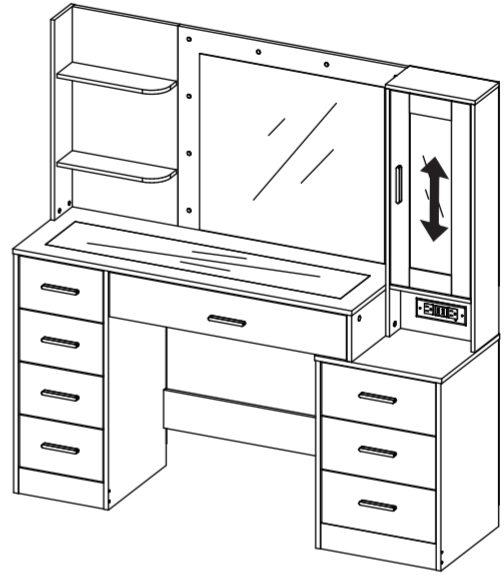
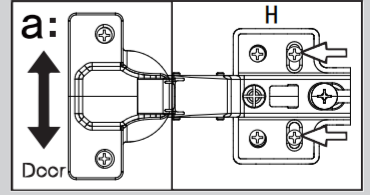
To facilitate the adjustment, install the E1 screw first, and then install the E2 screw.



**Hinge adjustment**

a: To move doors up or down: loosen screws shown and move doors to suit.

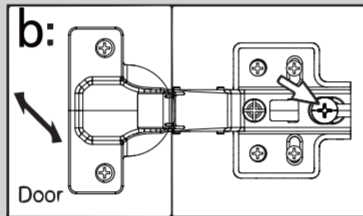
Once doors are aligned, re-tighten Screws



**Hinge adjustment**

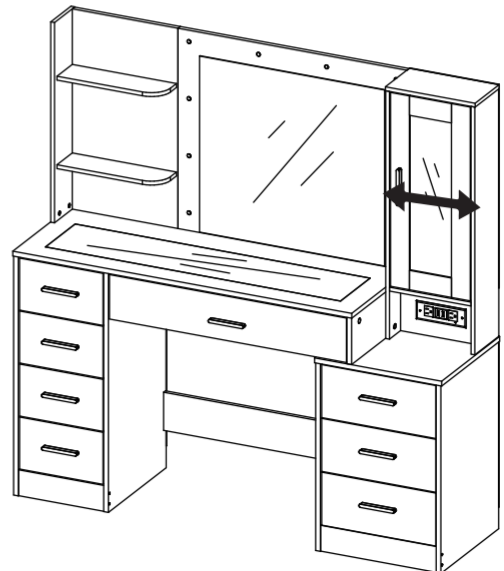
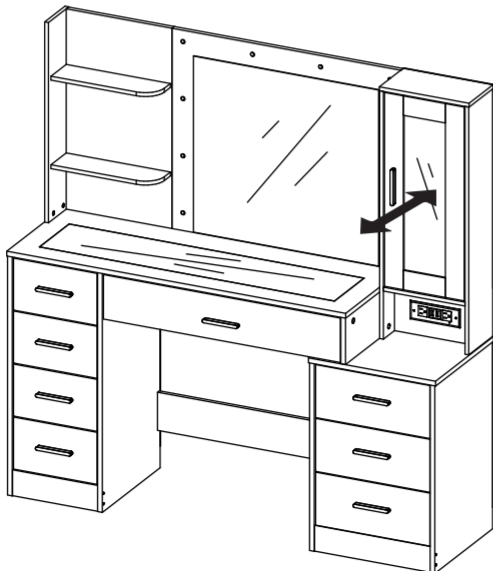
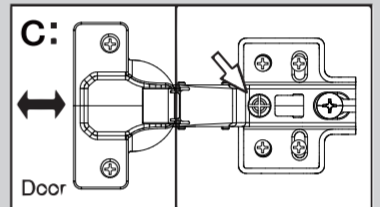
b: To move doors in or out: loosen screw shown and move doors to suit.

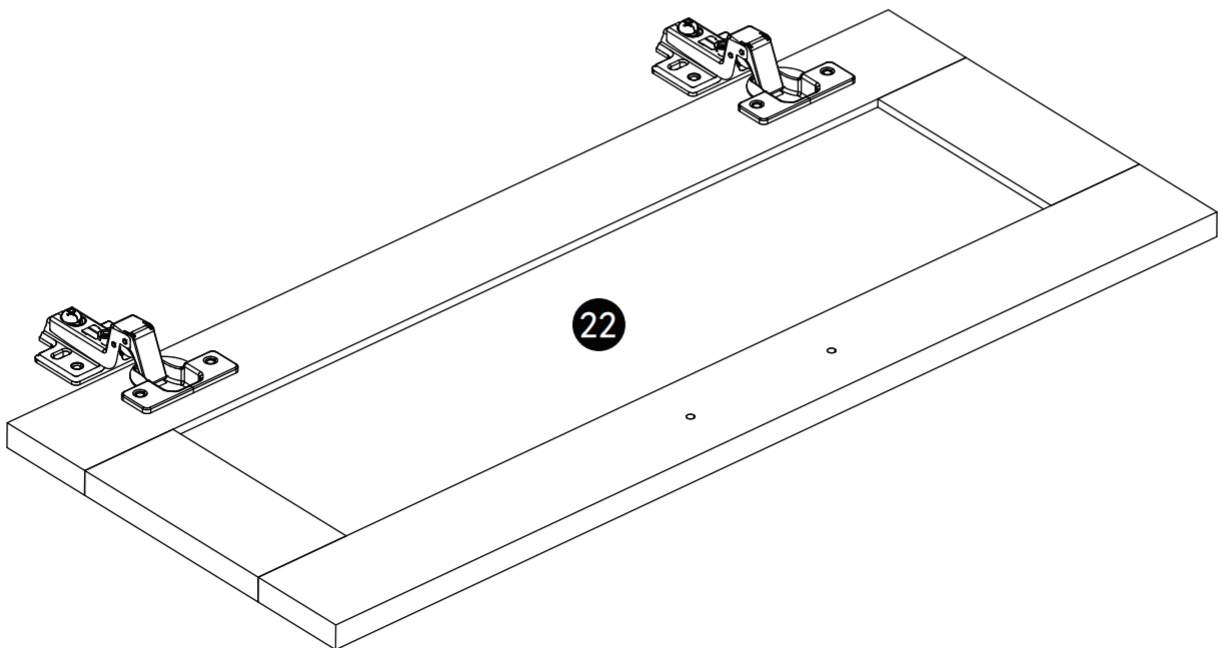
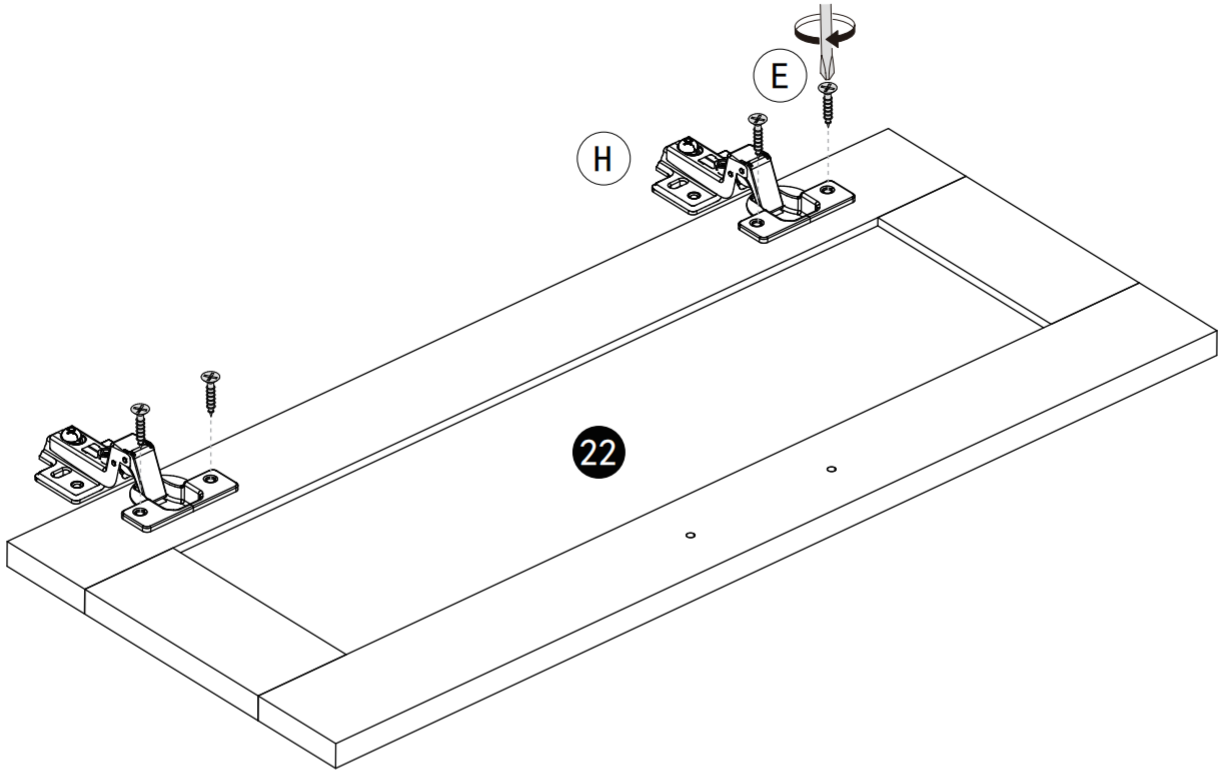
Re-tighten screws





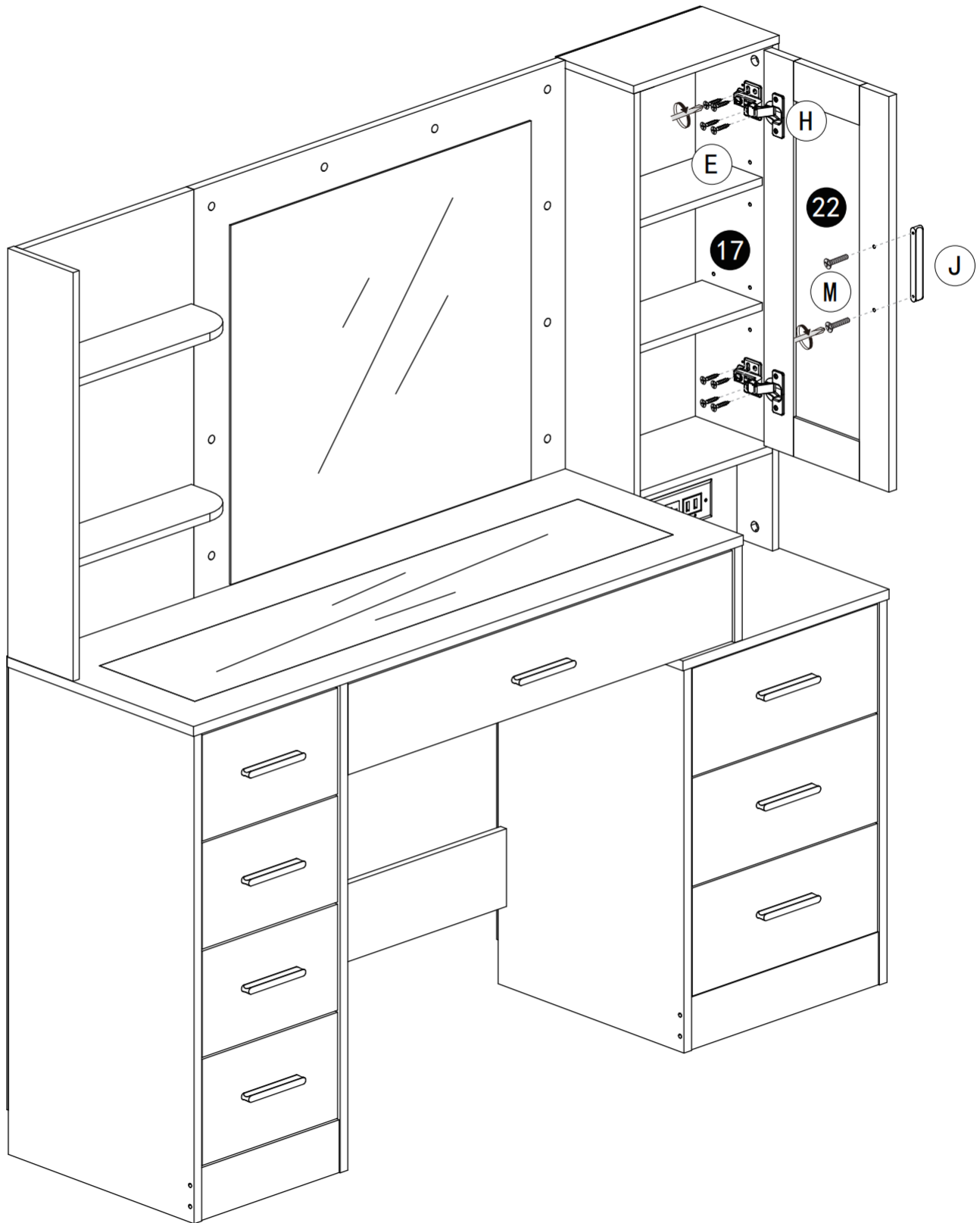
**Hinge adjustment**




c: To move doors left or right: loosen screw shown to move doors to suit.





H		x2
E		x4

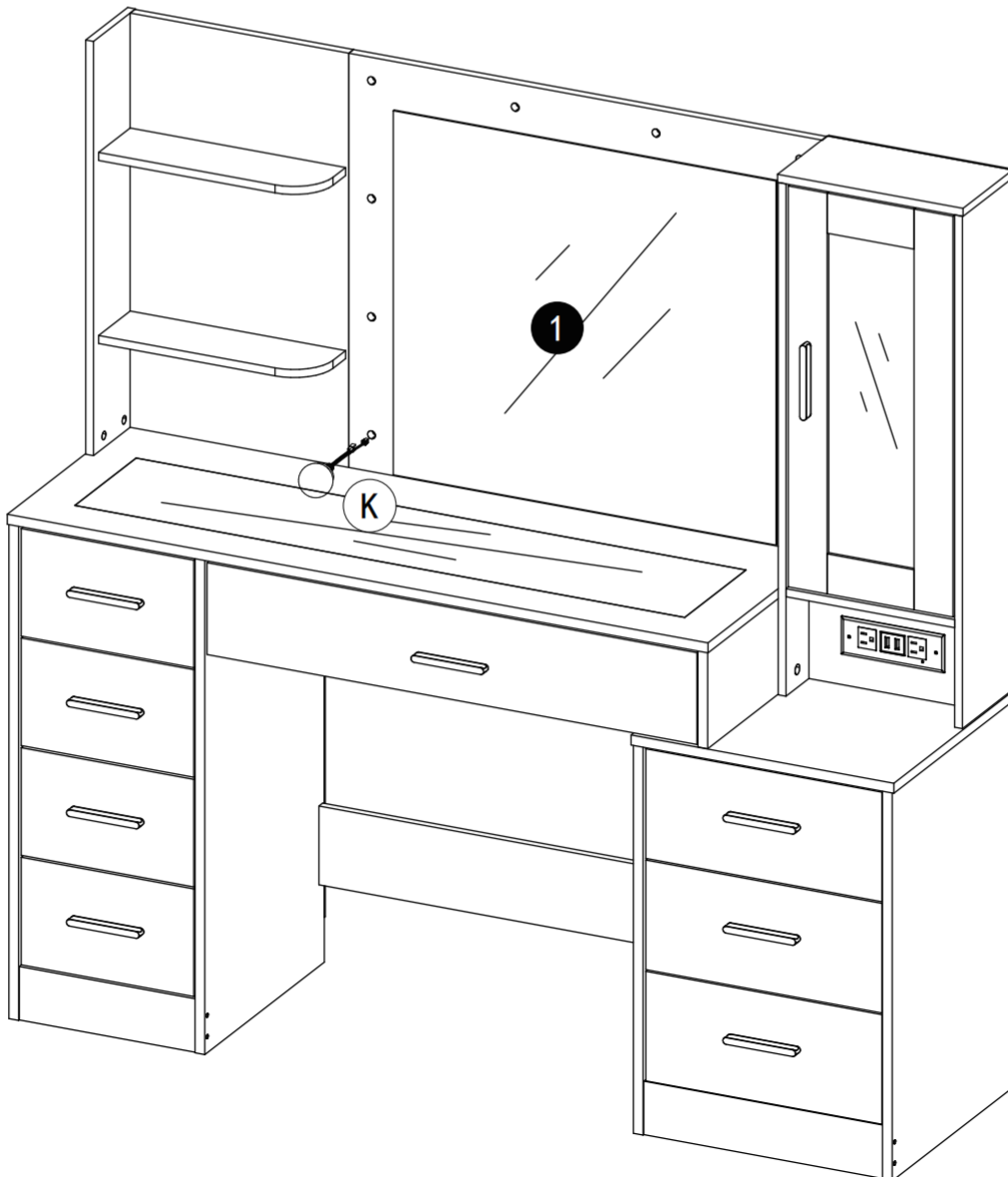
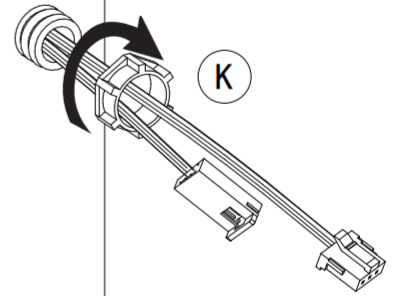
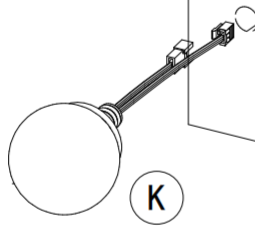


J		x1
M		x2
E		x8

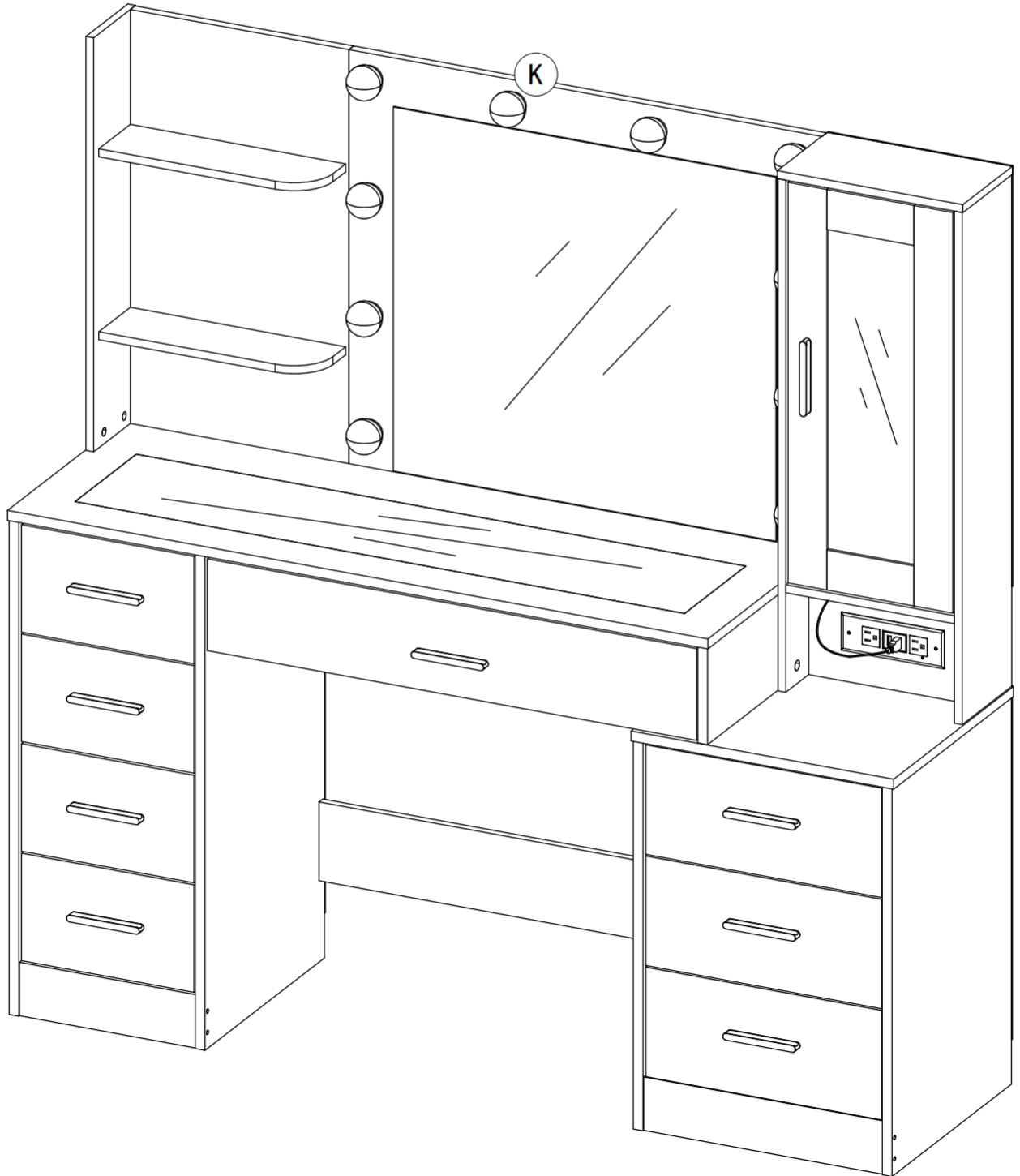
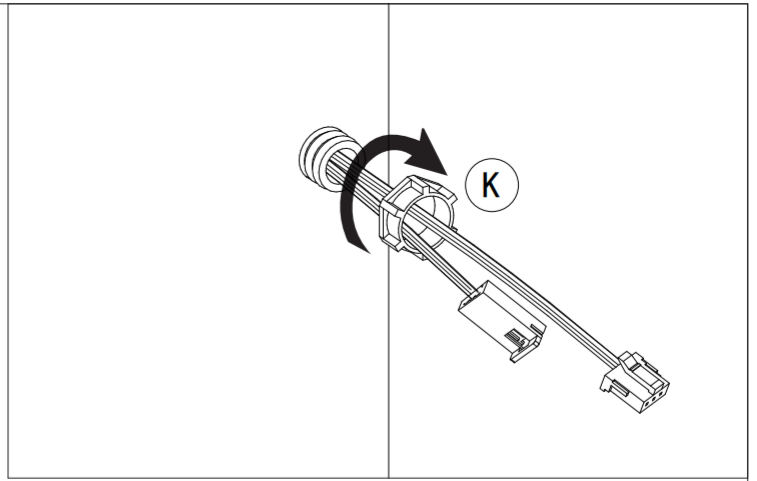
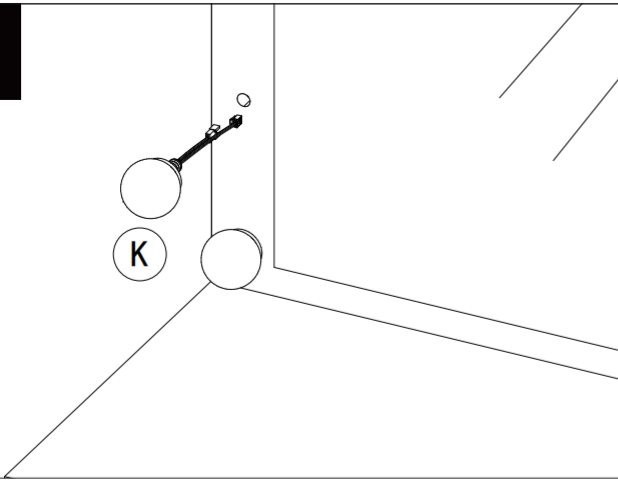


**x10 PC**

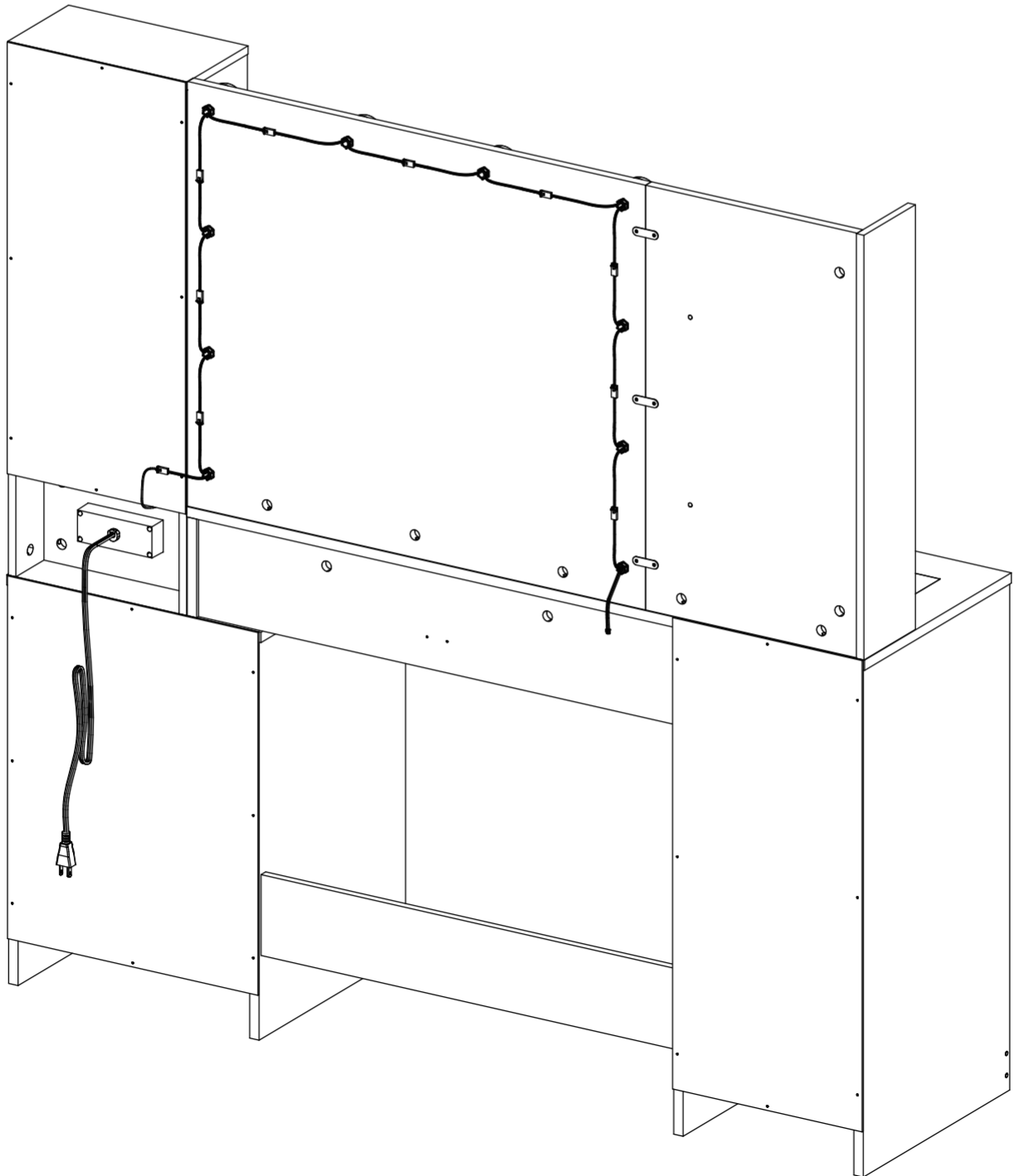
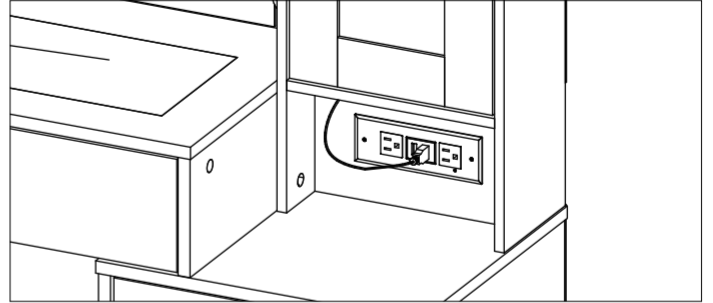
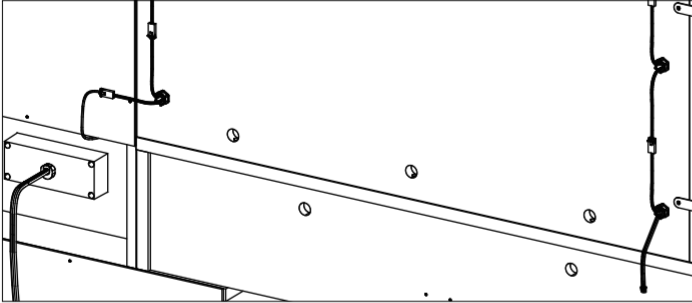
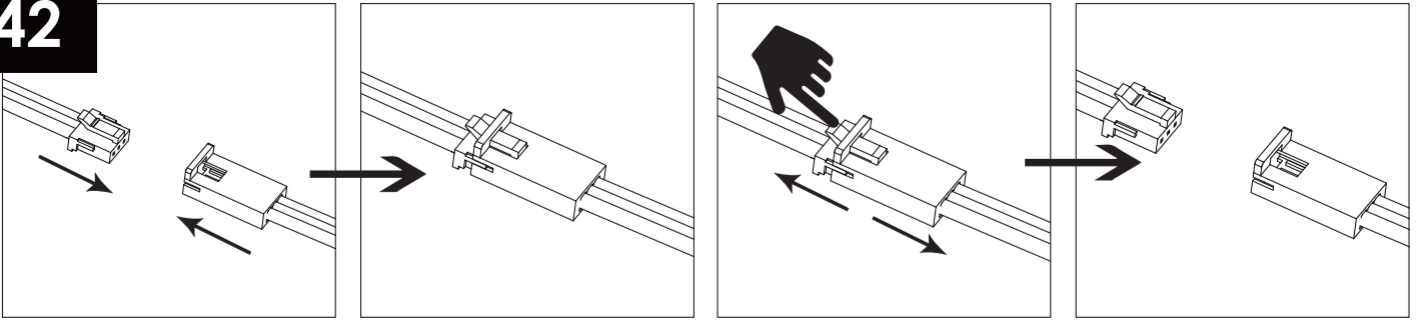
Install the  
middle bulbs  
(10 pcs)



41

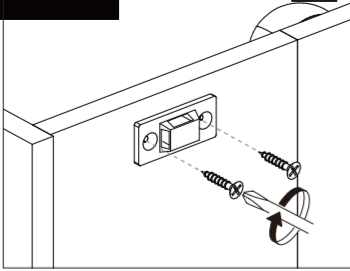


K		x1
---	---	----

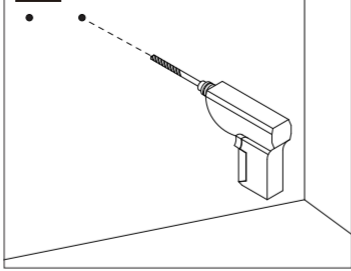


43

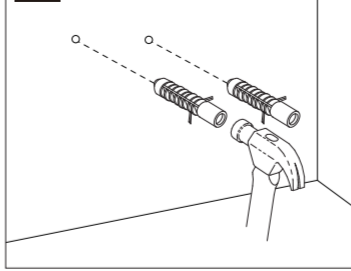
1



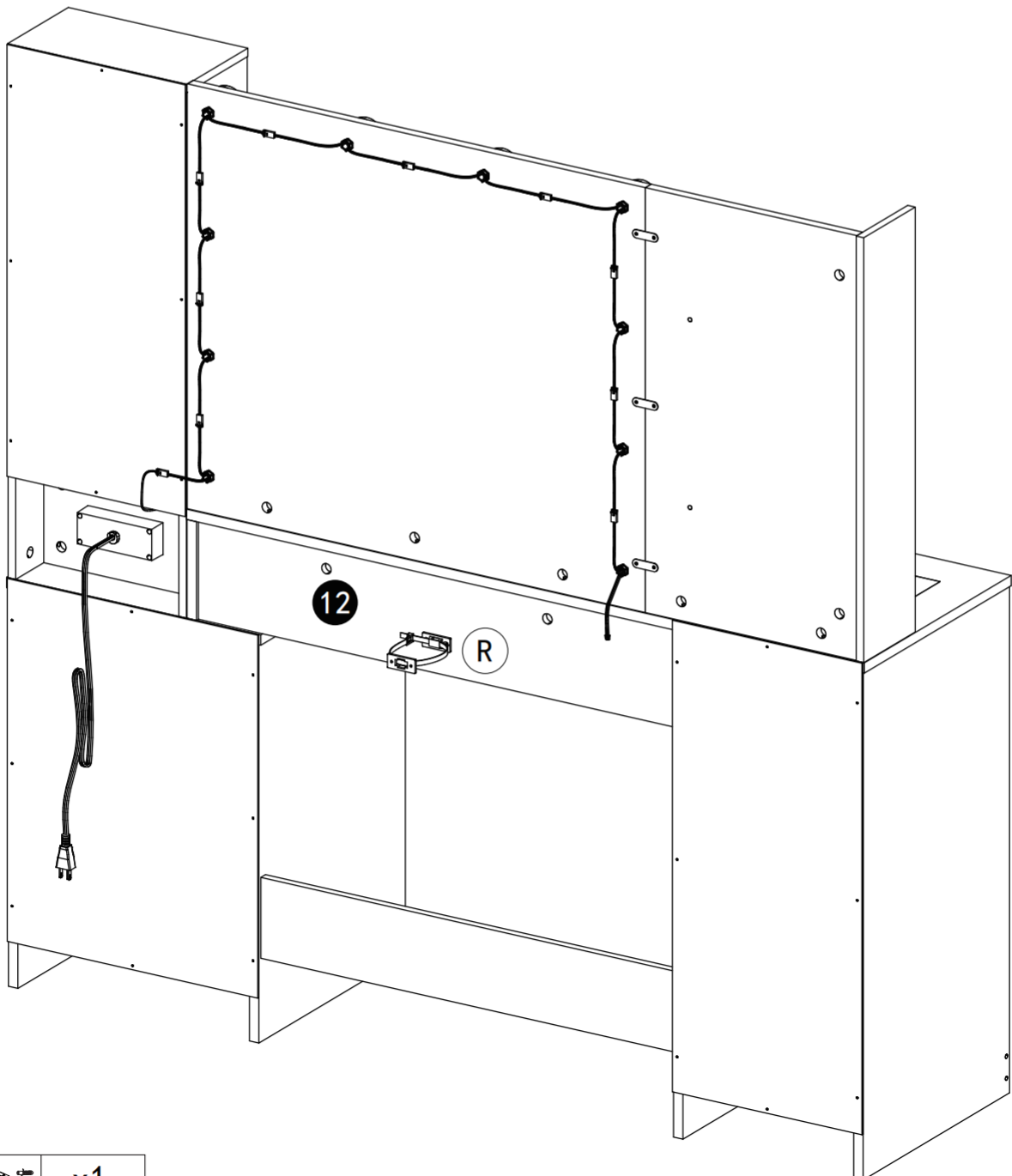
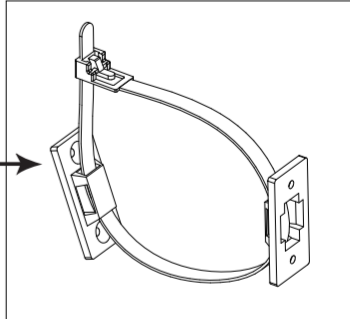
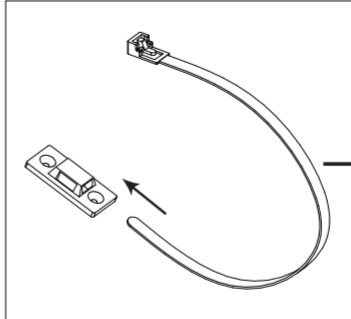
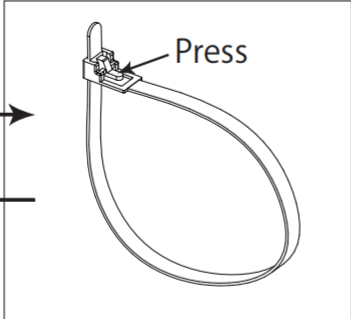
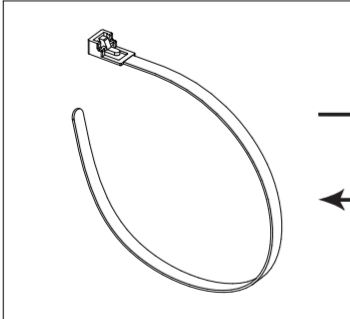
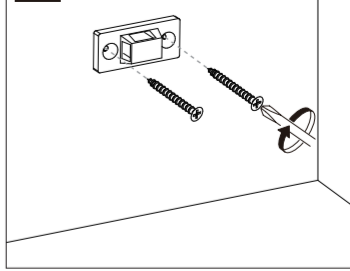
2



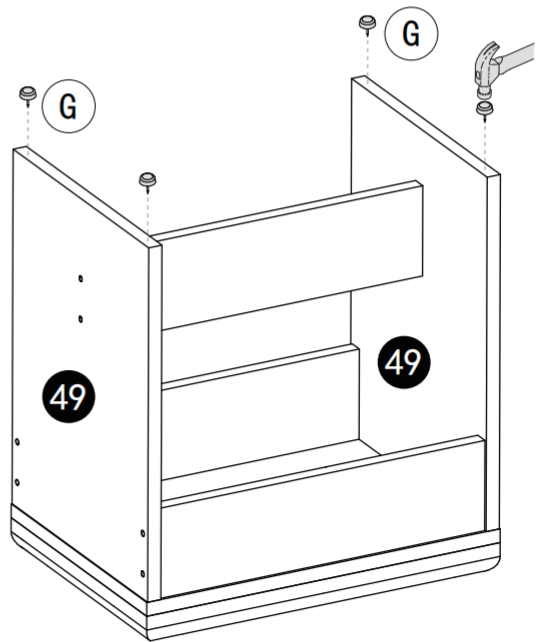
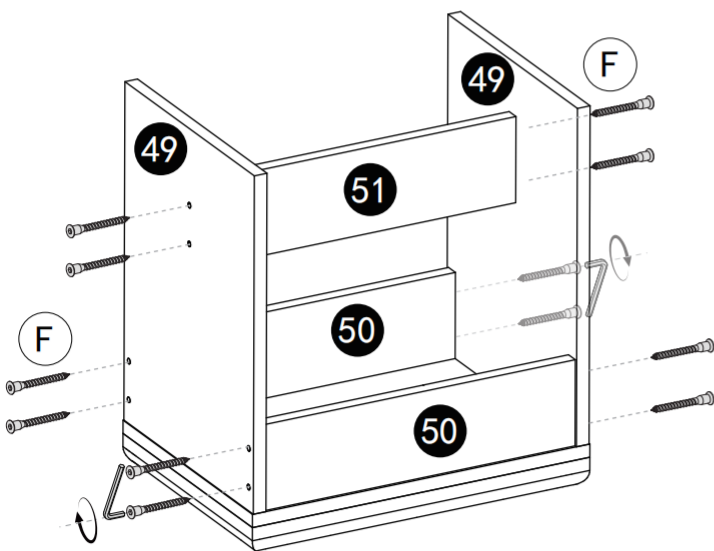
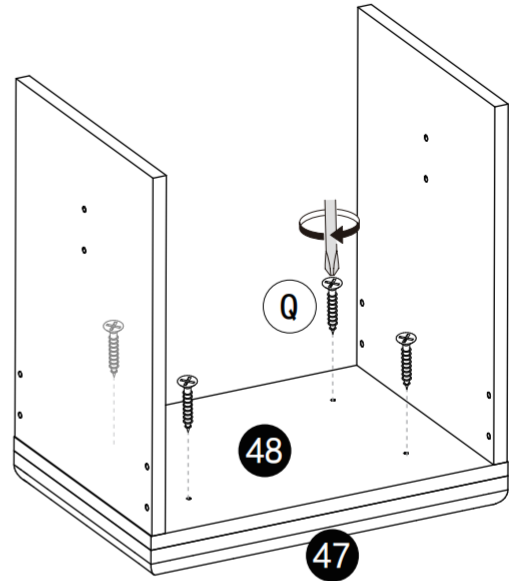
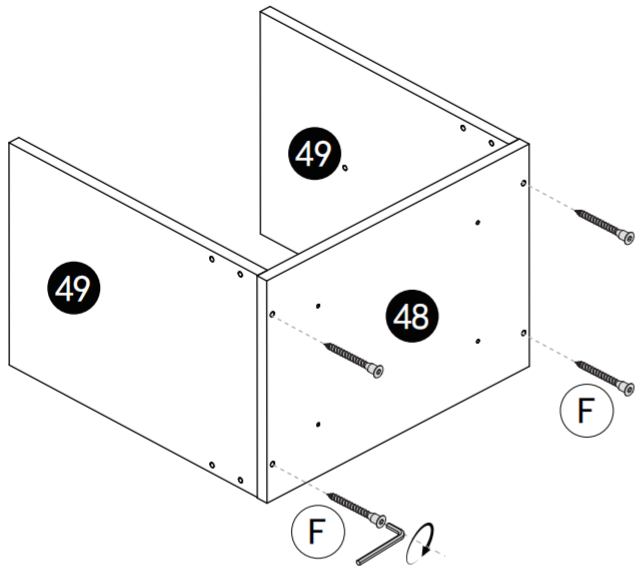
3

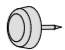




4

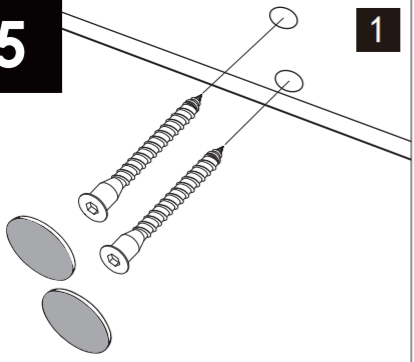


R  x1



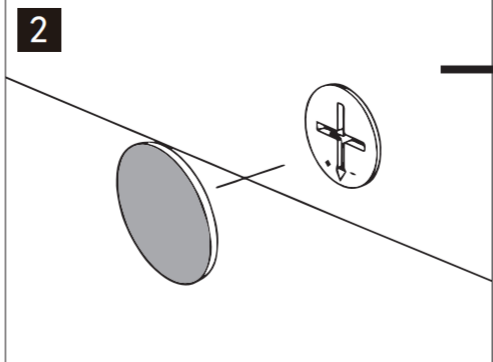
		x4
<b>Q</b>		x4
<b>F</b>		x16

45

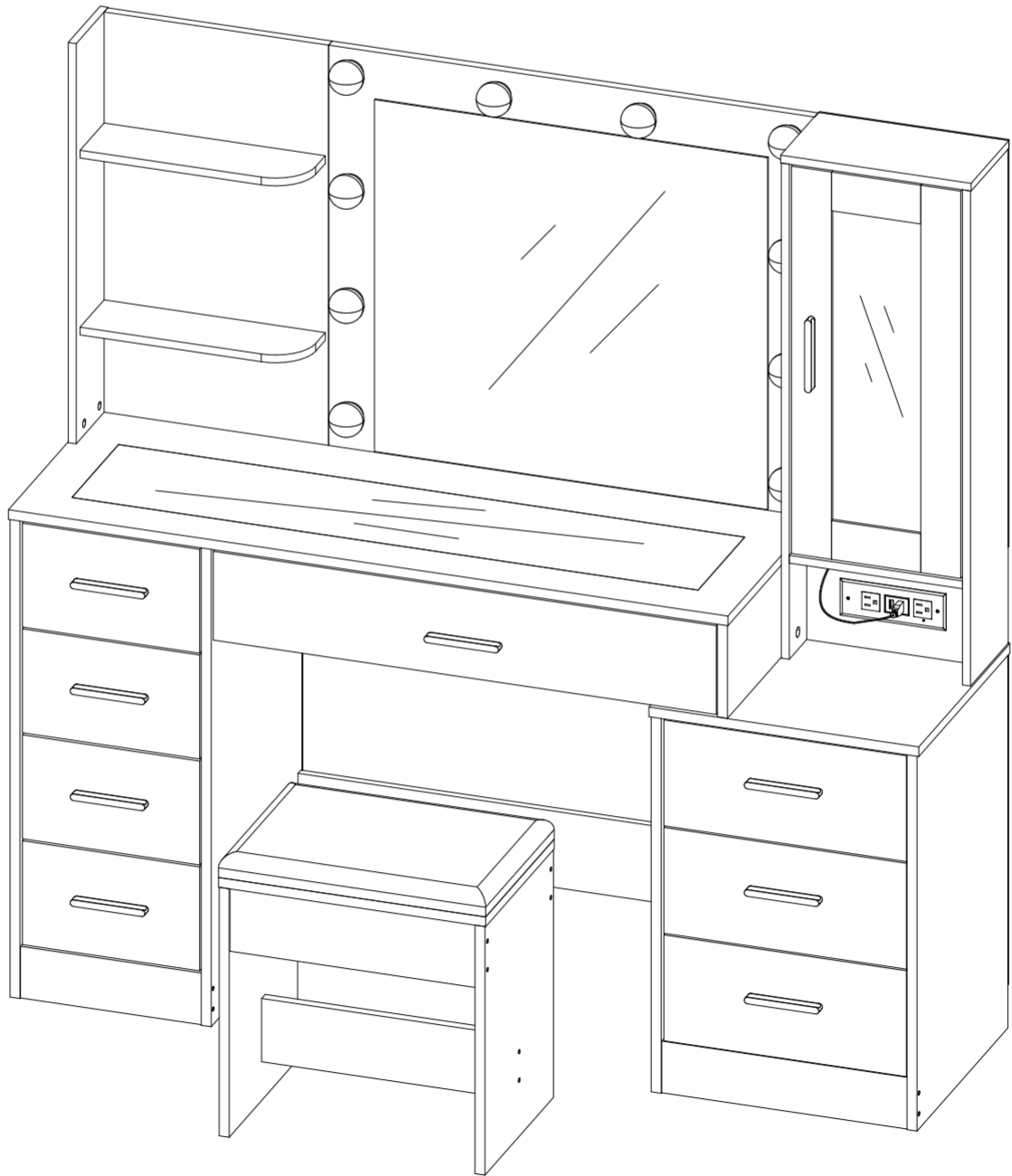


1

2



Add L fittings to all exposed holes on the front of the product



L  x20