

This article contains biocidal products to give protection against wood destroying insects & wood rotting fungi. Contents may vary. May contain : Basic copper carbonate (Copper (II) carbonate – Copper (II) hydroxide (1:1), Cupric oxide, Copper hydroxide carbonate, oxyethyl, ammoniumpropionate, Copper HDO, Propiconazole, Tebuconazole, Boric acid, Benzalkonium chloride. Wear gloves when handling freshly treated wood. Avoid breathing dust when cutting treated or untreated wood. Dispose of off-cuts responsibly – do not burn.

**Pre-drill**  
for each screw  
used.



# Large Apex Tall Garden Store

This fixing pack covers multiple products. Please make sure you quote from the relevant parts list in the event you need to order missing or damaged parts.

## Tools Required

*Not Supplied*

Drill/Pozi Drive  
Screwdriver



Hammer



Sharp Knife



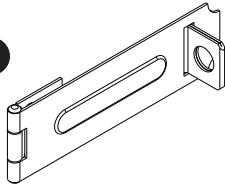
Tape Measure



Spirit Level

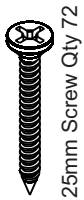


a



Hasp And Staple Qty 1

d



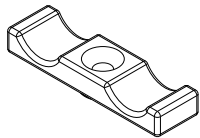
25mm Screw Qty 72

g



30mm Screw Qty 2

b



Turn Button Qty 2

e



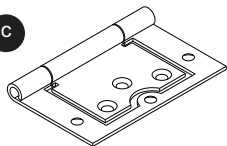
50mm Screw Qty 16

h



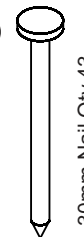
Felt Tacks Qty 30

c



Flush Hinge Qty 4

f



30mm Nail Qty 43

## OPATGS (Pressure Treated Overlap ) PARTS LIST

Item	Part Code	Part Description	Quantity
1	OPTSBP	OLAP PTR TALL STORE BACK PANEL	1
2	OPTSSP	OLAP PTR TALL STORE SIDE PANEL	2
3	TSFRP	TALL STORE FRONT PANEL	1
4	PTSDR	PTR TALL STORE DOOR	2
5	28280953PT	BATTEN 28x28x953mm PTREAT	2
6	121120481PPT	BOARD 121x12x481mm PAR PTREAT	2
7	9534478	OSB 953x447x8mm	1
8	37281529PT	BATTEN 37x28x1529mm PTREAT	1
9	44121710PPT	STRIP 44x12x1710mm PTREAT	2
10	121120476PAII80PT	BOARD 121x12x476mm PAR ANGLED	4
11	5354818	OSB 535x481x8mm	2
12	28280482PT	BATTEN 28x28x482mm PTREAT	2
13	45280296PT	BATTEN 45x28x296mm PTREAT	4
14	121120580PAII80PT	BOARD 121x12x580mm PAR ANGLED	4
15	28280070PT	BATTEN 28x28x70mm PTREAT	4
16	44161710PT	STRIP 44x16x1710mm PTREAT	2
17	85069	BLACK FELT 1.3 x 1 METRE	1

## SPATGS ( Shiplap) PARTS LIST

Item	Part Code	Part Description	Quantity
1	SPTSBP	SLAP PTR TALL STORE BACK PANEL	1
2	SPTSSP	SLAP PTR TALL STORE SIDE PANEL	2
3	TSFRP	TALL STORE FRONT PANEL	1
4	PTSDR	PTR TALL STORE DOOR	2
5	28280953PT	BATTEN 28x28x953mm PTREAT	2
6	121120481PPT	BOARD 121x12x481mm PAR PTREAT	2
7	9534478	OSB 953x447x8mm	1
8	37281529PT	BATTEN 37x28x1529mm PTREAT	1
9	44121710PPT	STRIP 44x12x1710mm PTREAT	4
10	121120476PAII80PT	BOARD 121x12x476mm PAR ANGLED	4
11	5354818	OSB 535x481x8mm	2
12	28280482PT	BATTEN 28x28x482mm PTREAT	2
13	45280296PT	BATTEN 45x28x296mm PTREAT	4
14	121120580PAII80PT	BOARD 121x12x580mm PAR ANGLED	4
15	28280070PT	BATTEN 28x28x70mm PTREAT	4
17	85068	GREEN FELT 1.3 x 1 METRE	1

## Attention:

- For Domestic Use Only.
- Must be built on a **solid and level** base.
- Regularly check that all fixing are tight and secure.
- Regularly check the felt for damage.

## Important:

Assembly of this product requires a minimum of two adults.

**Please check all parts prior to assembly.**

This product is pressure treated to ensure longevity of all timber components and to protect against rot. This may leave a colour difference on some parts that will even out as the moisture content stabilises. This will not need additional treatment.

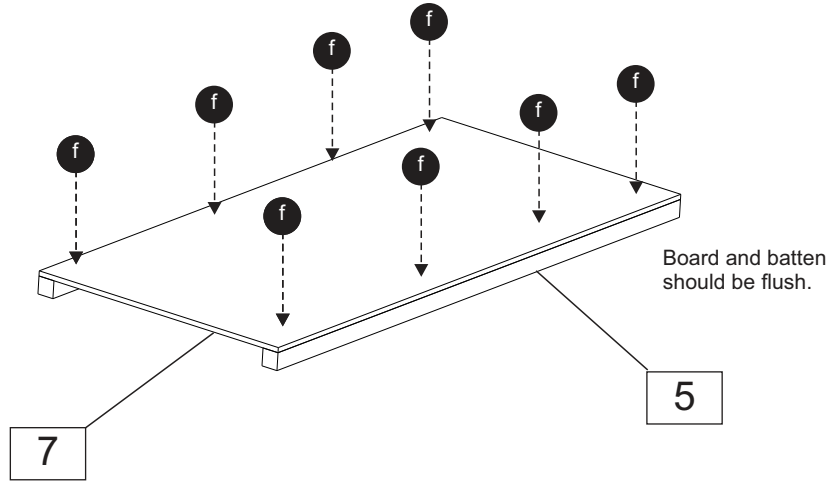
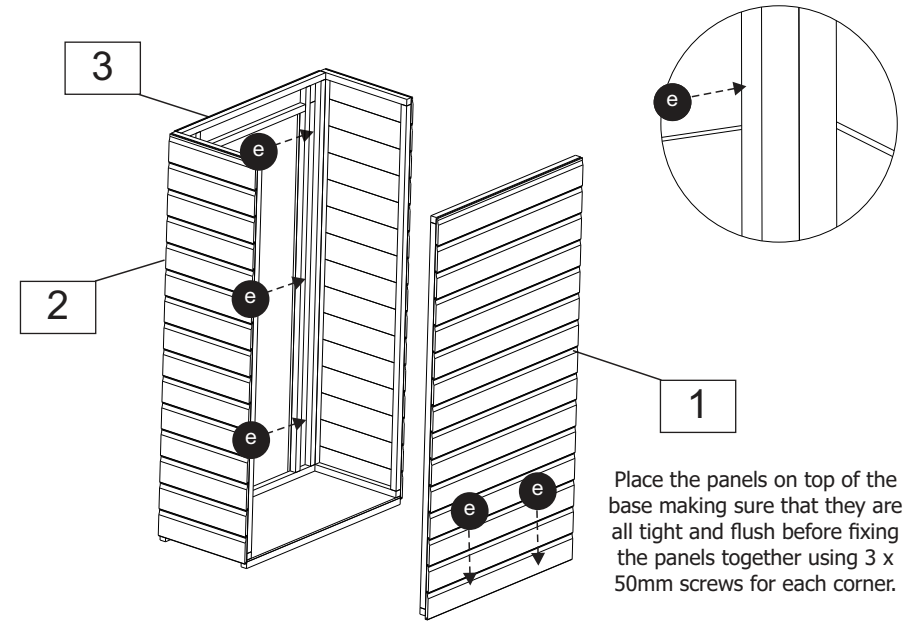
- Please keep all plastic bags and small parts away from children.
- The roof of this product is not a load bearing structure.
- Timber is a natural material and will shrink and swell as a result of varying moisture content.

Assembly of damaged parts may be deemed to be acceptance and this may affect the remedies you are entitled to.

If the product is not constructed in accordance with the instructions, or is altered in anyway (e.g. painted), the manufacturer cannot be held liable for any resulting damage.

**A**

Floor Assembly

**B**

Place the panels on top of the base making sure that they are all tight and flush before fixing the panels together using 3 x 50mm screws for each corner.

Fix the front and back panels to the floor using 2 x 50mm screws for each screwing down through the framing from inside.

PRE-DRILL

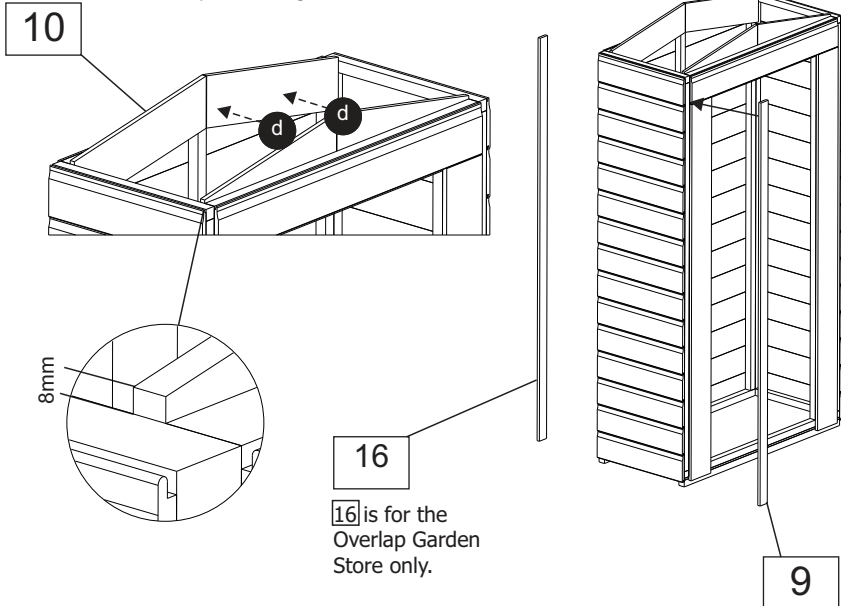
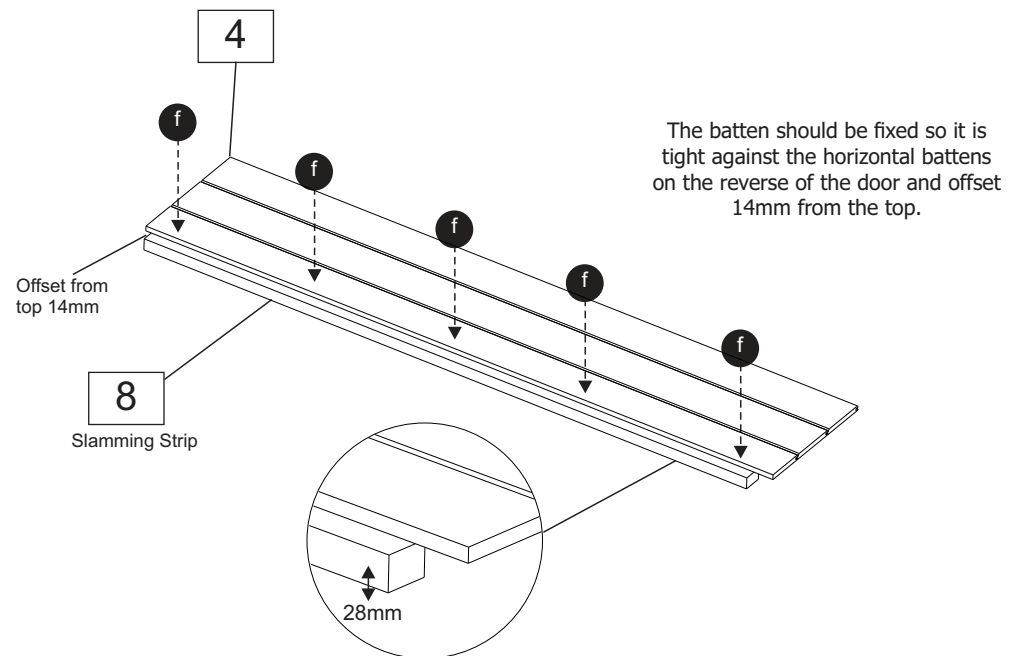
PRE-DRILL

PRE-DRILL

**C**

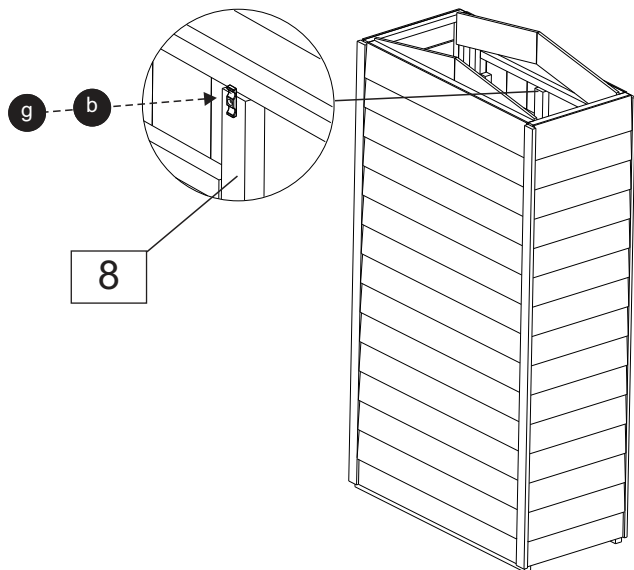
Place the angled boards against the front and back panels as shown to create an apex. Fix each board in place using 2x 25mm screws.

Fix each of the corner strips along the edges so that they are flush and fix each in place using 4 x nails.

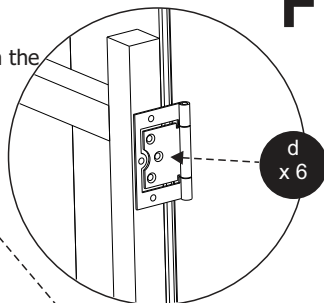
**D**

**E**

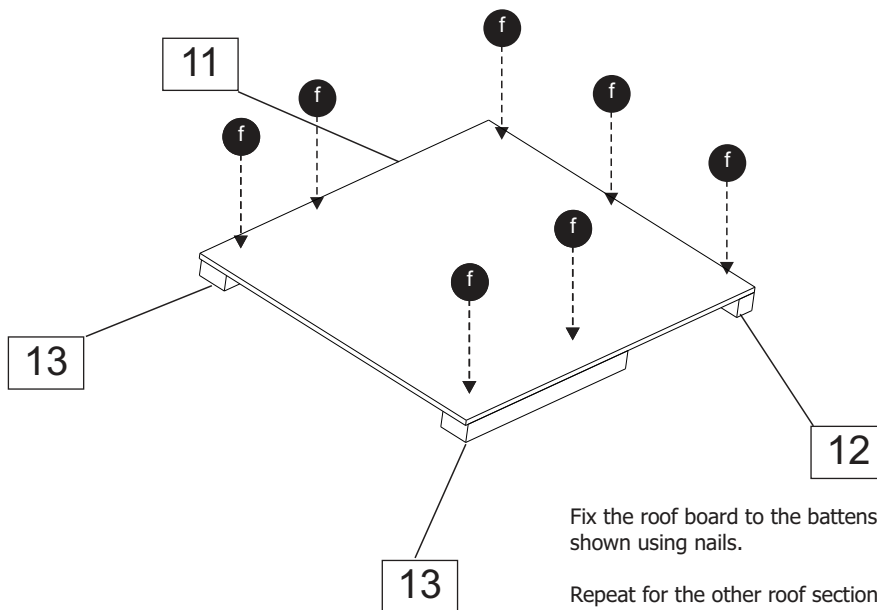
Place a turn button on the top and bottom of the batten.

**F**

The top of the hinge should be in line with the horizontal batten



Fix the smaller piece of the hinge to the door.




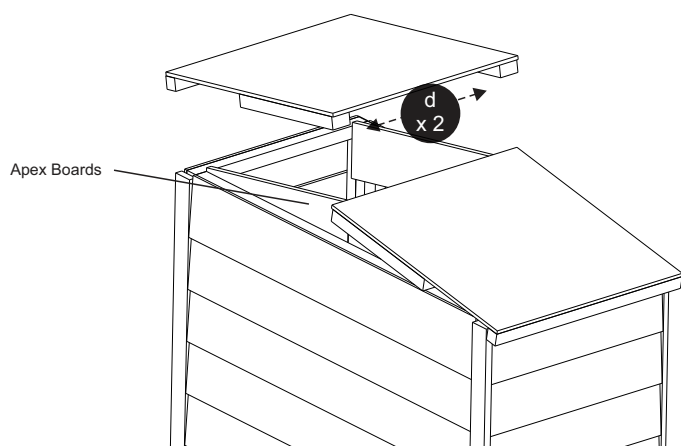
Fix the roof board to the battens as shown using nails.

Repeat for the other roof section.

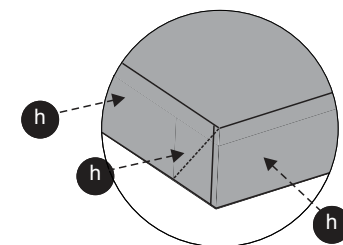
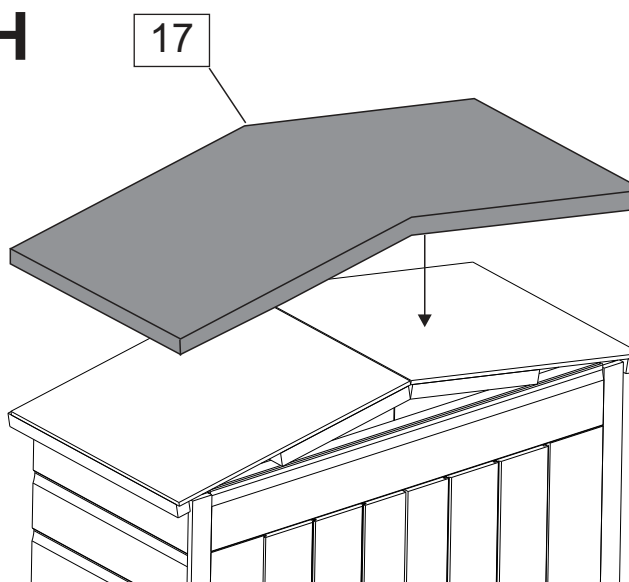
PRE-DRILL 

PRE-DRILL 

PRE-DRILL 

**G**

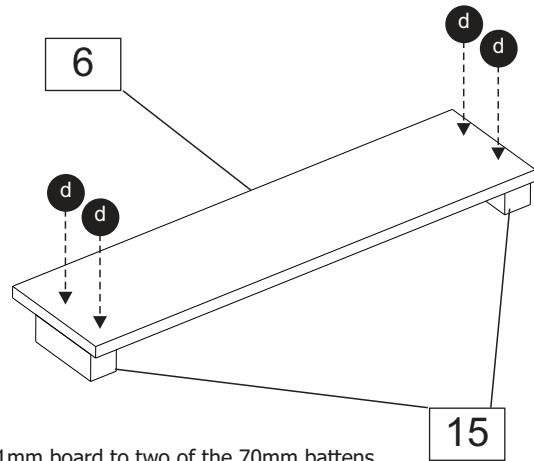
Slot the roof sections so that they line up at the apex. Fix these from the inside screwing through the apex boards into the 296mm battens using 2 x 25mm screws for each.

**H**

Place the felt over the roof so that there is approximately a 45mm overhang on all sides. Secure the felt to the roof, nailing into the battens from the sides using felt tacks placed in 150mm intervals.

Cut and fold the felt at the corners as shown.

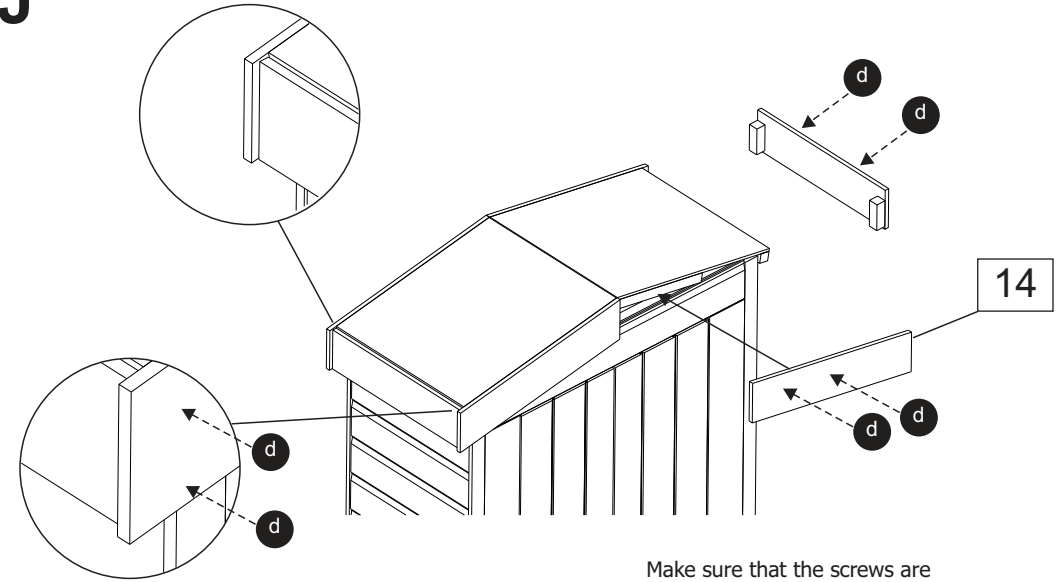
Take care when trimming the roof felt.

**I**

Fix the 481mm board to two of the 70mm battens. These should be flush on the short side and off set 10mm from the long side. Fix the battens in place using 2 x 25mm screws for each.

Repeat with the remaining blocks and 481mm board.

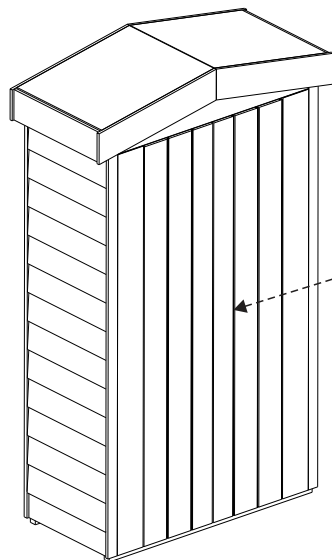
PRE-DRILL 

**J**

Make sure that the screws are positioned so that each locates into the batten.

PRE-DRILL 

PRE-DRILL 

**K**

Position and line up the hasp and staple with framing on the inside of the door.

