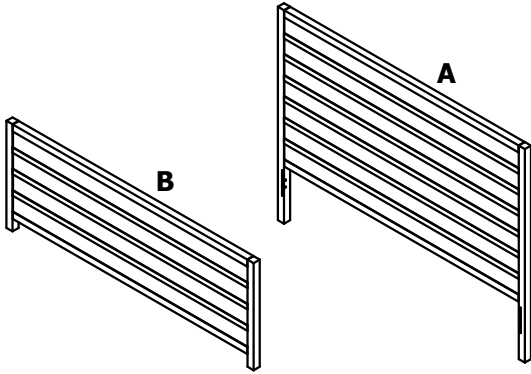


E.KING BED

ASSEMBLY INSTRUCTIONS

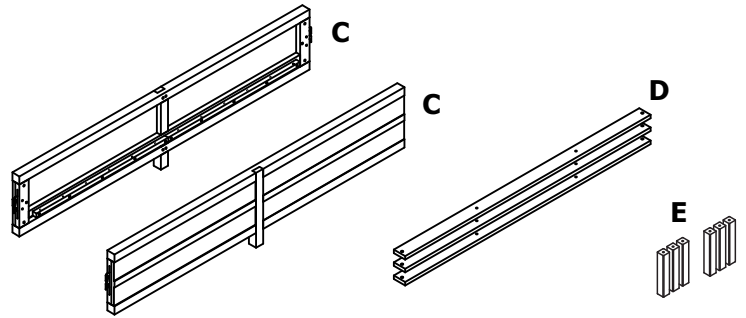
BOX #1

- A. HEADBOARD 1 PC
- B. FOOTBOARD 1 PC

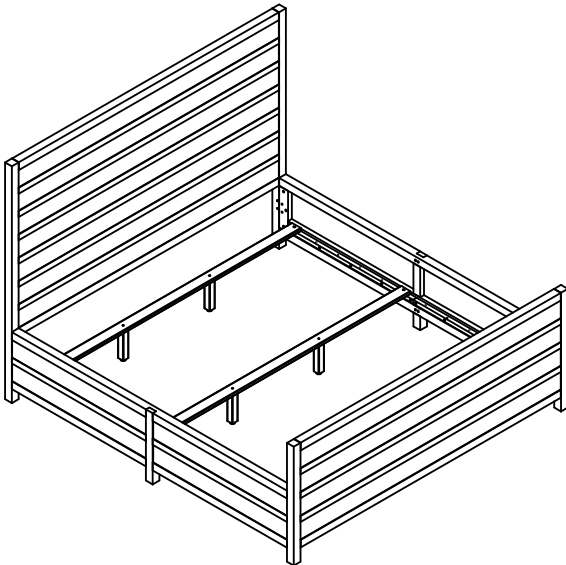


BOX #2

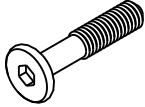
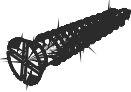
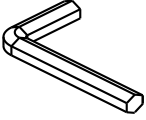
- C. SIDE RAIL 2 PCS
- D. BED SLAT 3 PCS
- E. LEG SUPPORT 6 PCS
- BED HARDWARE BOX*



BED ASSEMBLED

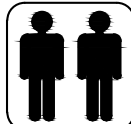
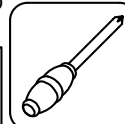


BED HARDWARE PACKED IN BOX #2

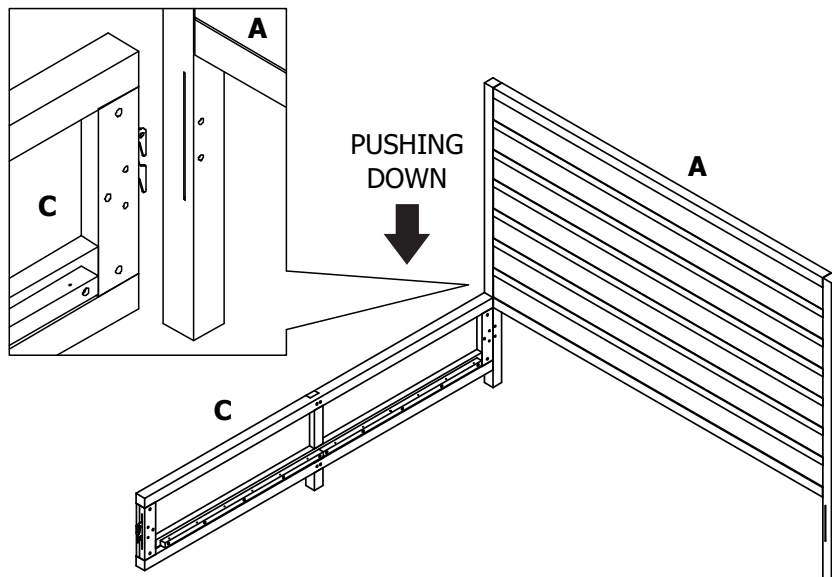
1	ALLEN BOLT (6x40mm)	7 PCS	2	WOOD SCREW (8x30mm)	7 PCS	3	ALLEN KEY	1 PC
								

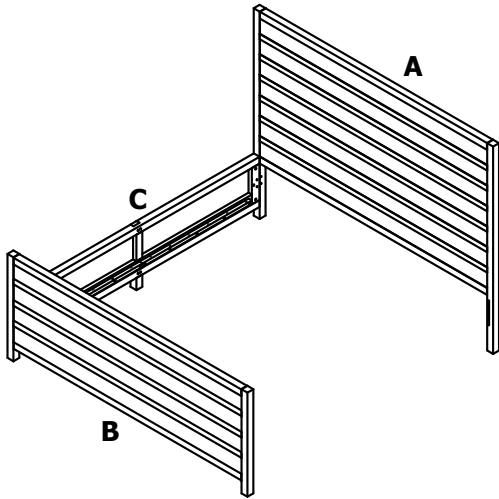
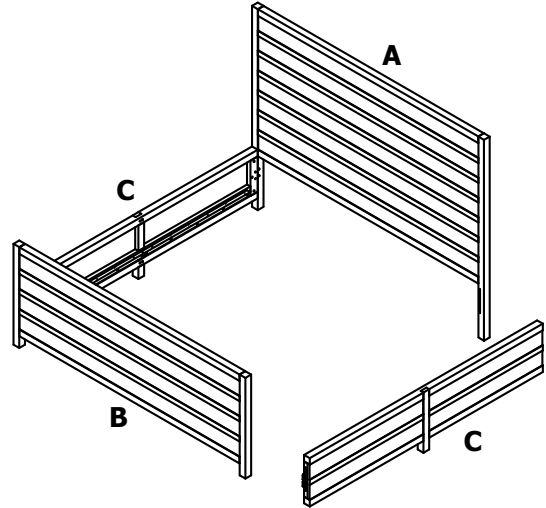
TOOL REQUIRED : PHILLIPS HEAD SCREWDRIVER (NOT PROVIDED)

**YOUR BOX
MAY CONTAIN
EXTRA HARDWARE**

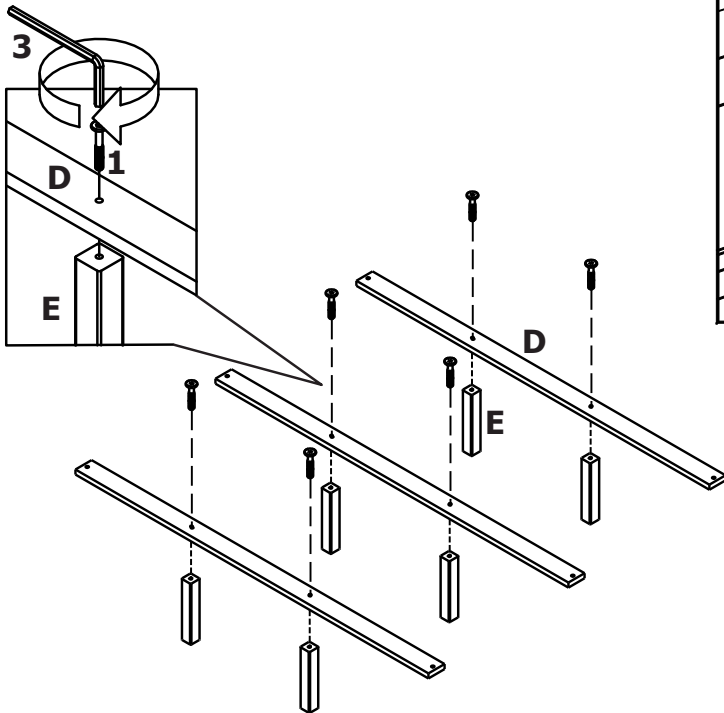
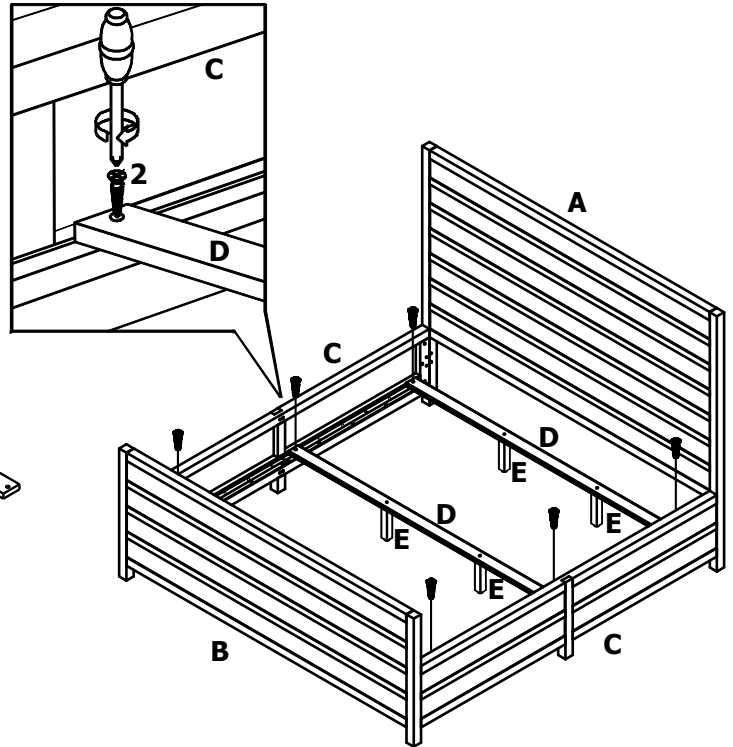


STEP 1 :



STEP 2 :**STEP 3 :****STOP**

- IF USING BED FRAME WITH ADJUSTABLE MATTRESS BASE, SKIP TO APPENDIX A: ADJUSTABLE MATTRESS BASE ASSEMBLY SUPPLEMENT.
- IF USING BED FRAME WITH STANDARD BOX SPRING OR FOUNDATION CONTINUE TO STEP 4.

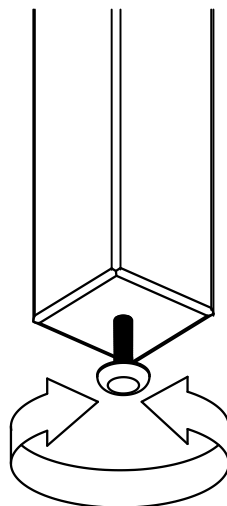
STEP 4 :**STEP 5 :****INSTRUCTIONS FOR ADJUSTING LEVELERS :**

POSITION THE BED IN YOUR ROOM. LOCATE LEVELERS UNDER EACH LEG SUPPORT (E).

TURN LEVELER COUNTER-CLOCKWISE TO EXTEND, CLOCKWISE TO RETRACT.

ADJUST LEVELERS UNTIL EACH LEG SUPPORT IS APPLYING EQUAL UPWARD PRESSURE ON THE BED SLAT.

UPDATED : NOVEMBER 23RD, 2023

**MAINTENANCE INSTRUCTIONS :**

- REMOVE BOX SPRING AND MATTRESS BEFORE MOVING YOUR BED.
- LIFT YOUR BED WHEN MOVING IT. DRAGGING CAN DAMAGE LEG SUPPORT.
- READJUST LEVELERS AFTER MOVING YOUR BED.

E.KING BED

APPENDIX A: ADJUSTABLE MATTRESS BASE ASSEMBLY SUPPLEMENT

AN ADJUSTABLE MATTRESS BASE IS A FREESTANDING MATTRESS SUPPORT THAT SITS WITHIN THE PERIMETER OF THE BED FRAME.

IF USING THIS BED FRAME WITH A STANDARD BOX SPRING OR FOUNDATION THESE INSTRUCTIONS DO NOT APPLY.

PRE-ASSEMBLED SIDE RAIL CLEATS OBSTRUCT ADJUSTABLE BASE INSTALLATION AND OPERATION.

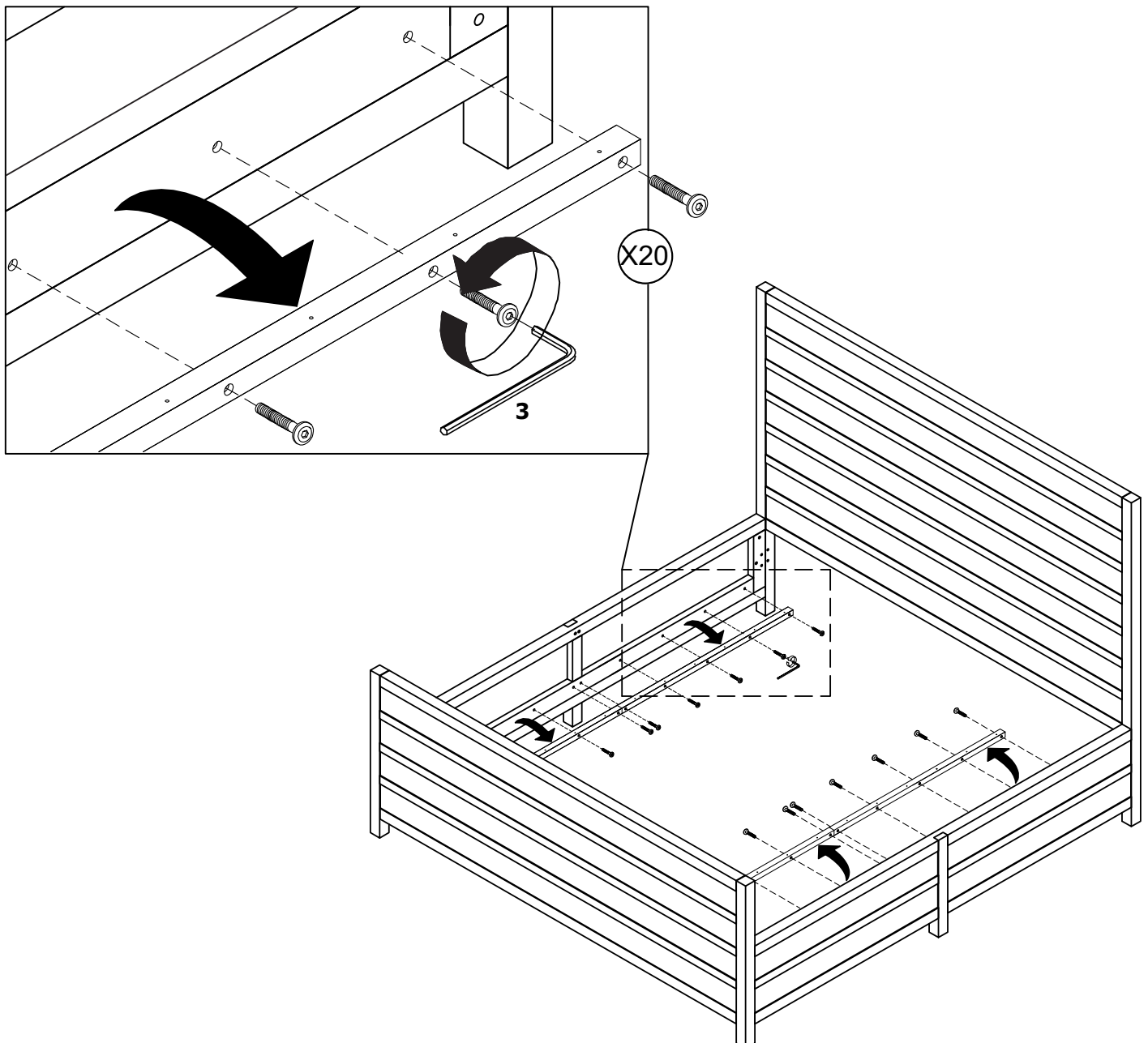
FOLLOW THESE INSTRUCTIONS TO REMOVE THEM.

THE FOLLOWING PARTS ARE NOT REQUIRED FOR ADJUSTABLE MATTRESS BASE INSTALLATION:

D. BED SLAT	3 PCS	1. ALLEN BOLT (6x40mm)	7 PCS
E. LEG SUPPORT	6 PCS	2. WOOD SCREW (8x30mm)	7 PCS

STEP 1 :

USE ALLEN KEY (3) TO UNSCREW ALLEN BOLTS AND REMOVE PRE-ASSEMBLED SIDE RAIL CLEATS.



NOTE: YOU MAY WISH TO RETAIN UNUSED PARTS IF IN THE FUTURE YOU INTEND TO USE THE BED FRAME WITH A STANDARD BOX SPRING OR FOUNDATION.