

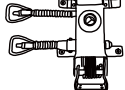
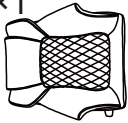



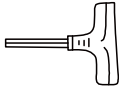







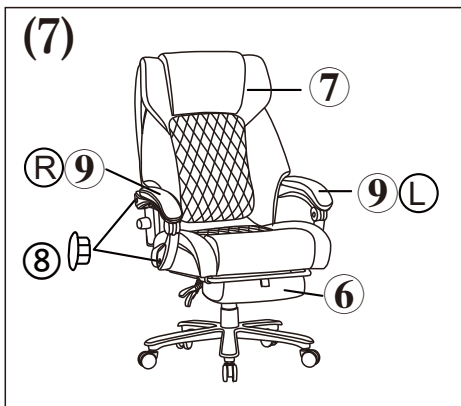
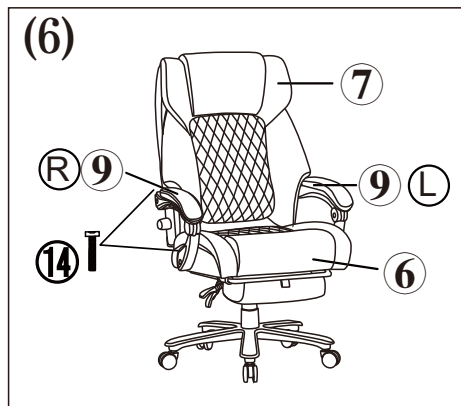
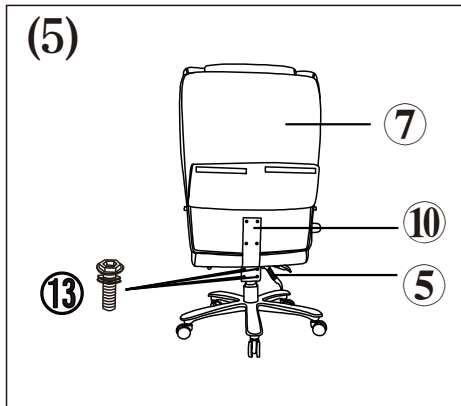
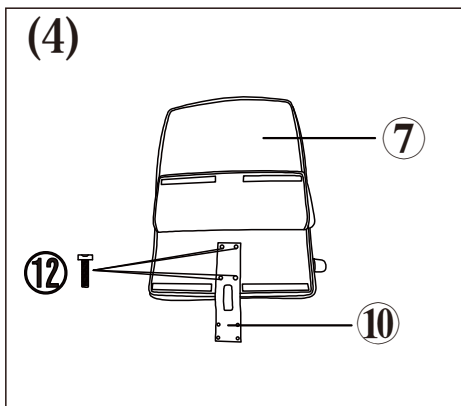
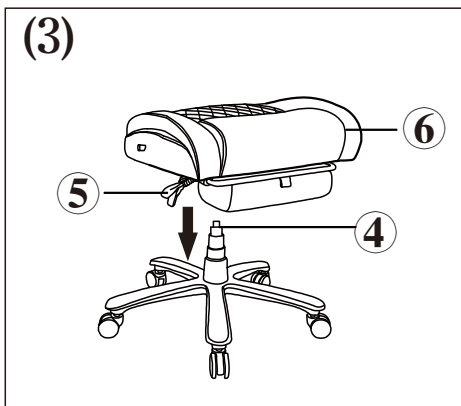
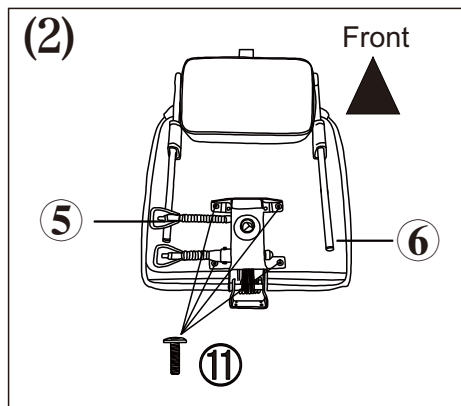
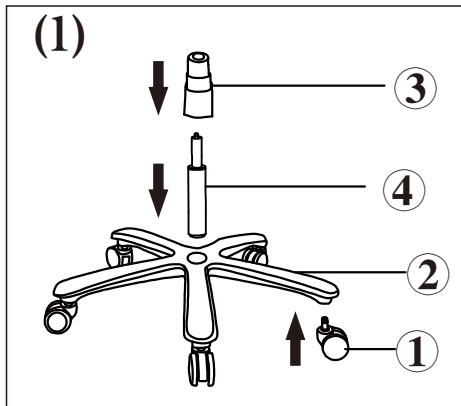


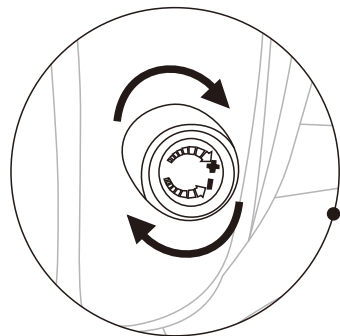
Installation Instruction

Note: Gloves are recommended to avoid injury during assembly

①×5 	③×1 	⑤×1 	⑦×1 	⑨×1 	⑪×4  M6×20mm	⑬×4  M8×20mm	⑮×1 
②×1 	④×1 	⑥×1 	⑧×4 	⑩×1 	⑫×4  M6×25mm	⑭×4  M8×40mm	

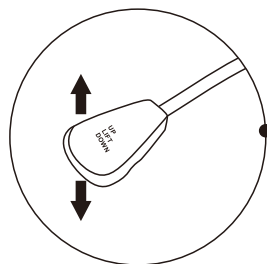


Chair Function



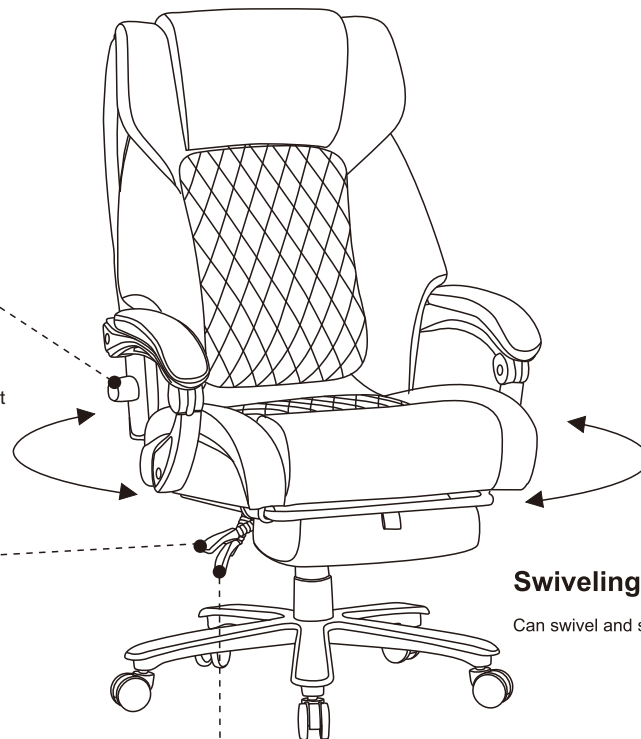
Lumbar Support Function:

Turn the knob on the side of the backrestSolid backrest support



Adjustable Height:

Press the handle on the right side of the seat, you can adjust the chair height

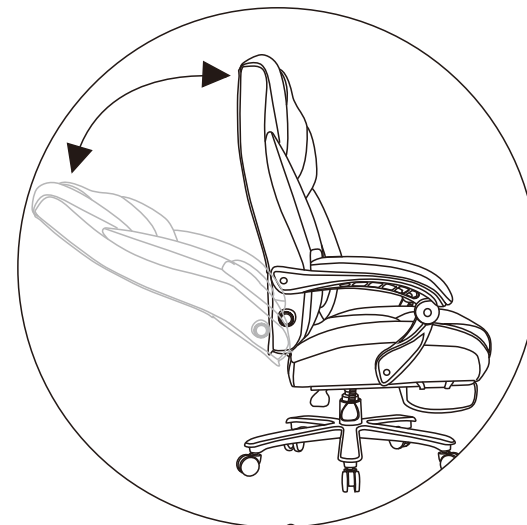


Swiveling:

Can swivel and stop at any position.

Reclining Function:

Pull the handle outward to recline the backrest backward.
Push the handle inward to lock the reclining angle.



⚠ Precautions in use ⚠

- Avoid direct sunlight or high temperature, damp and dry places
- Do not use on floors that slide easily
- It is recommended to retighten bolts and screws periodically on a two-month basis
- Please do not use in the state of loose bolts or screws.
- Please be careful not to let the moving parts of the hands and feet, etc.
- To remove significant dirt, use a diluted neutral detergent.
- Please do not sit hard on your seat. If you sit too hard, you will bear many times the load, which may break the chair.
- Please do not sit more than two people at a time
- Do not use push rods including adjusting bolts, screws, screws, etc.
if even one of them is lost, damaged or consumed, only until the correct parts are repaired
- ※ If the above points are not used, there may be a big accident, please be sure to comply with them.